



US00D325315S

United States Patent [19]

[11] Patent Number: **Des. 325,315**

Parent et al.

[45] Date of Patent: **** Apr. 14, 1992**

[54] **BARBEQUE GRILL KETTLE**

[75] Inventors: **James R. Parent; Frederick G. Doolittle**, both of Dublin; **Ronald E. Heiskell**, Tracy; **Jon L. Ellgen**, Pleasant Hill, all of Calif.

4,331,123 5/1982 Alles et al. 126/9 R
 4,337,751 6/1982 Sampson et al. 126/25 R
 4,340,002 6/1983 Daily, III 126/25 R
 4,362,093 12/1982 Griscom 99/339
 4,453,530 6/1984 Schlosser 126/25 R
 4,523,574 6/1985 Schlosser 126/25 R
 4,635,613 1/1987 Tucker et al. 126/25 R
 4,718,399 1/1988 Shepherd 126/25 R

[73] Assignee: **The Clorox Company**, Oakland, Calif.

FOREIGN PATENT DOCUMENTS

[**] Term: **14 Years**

3302838 3/1984 Fed. Rep. of Germany .

[21] Appl. No.: **307,434**

OTHER PUBLICATIONS

[22] Filed: **Feb. 7, 1989**

Weber, "It's Great Outdoors," brochure, 1989.
 U.S. Trademark Reg. 1,481,521 (Misc. Design) Mar. 22, 1988.
 U.S. Trademark Reg. 1,481,520 (Misc. Design) Mar. 22, 1988.
 U.S. Trademark Reg. 1,479,505 (Misc. Design) Mar. 8, 1988.
 U.S. Trademark Reg. 1,478,530 (Misc. Design) Mar. 1, 1988.

[52] U.S. Cl. **D7/334**
 [58] Field of Search **D7/331, 332, 334, 335, D7/337; 126/25 R, 25 A, 25 AA, 25 B, 29-30, 26, 37 R**

[56] References Cited

U.S. PATENT DOCUMENTS

D. 139,850	12/1944	Frenning	D81/10
D. 196,996	11/1968	Kates	D81/10
D. 208,179	7/1967	King et al.	D81/10
D. 214,220	5/1969	ver Halen	D81/10
D. 215,250	9/1969	McClaren	D81/10
D. 219,413	12/1970	Glaser	D81/10
D. 219,629	12/1970	Koziol	D81/10
D. 223,042	2/1972	Wilkinson et al.	D81/10
D. 227,643	7/1973	Koziol	D7/335
D. 233,585	11/1974	Thomas	D7/94
D. 237,578	11/1975	Thomas	D7/94
D. 243,309	2/1977	Reunanen	D7/335
D. 255,863	7/1980	Futch	D7/108
D. 269,758	2/1983	Braswell	D7/337
D. 269,839	7/1983	Givens, III	D7/334
D. 279,537	7/1985	Taylor et al.	D7/337
D. 284,929	8/1986	Schlosser et al.	D7/332
D. 293,191	12/1987	Stephen et al.	D7/332
D. 295,135	4/1988	Ogden	D7/334
3,209,743	10/1966	Stewart et al.	126/25
3,330,266	7/1967	Stephen	126/25
3,500,812	3/1970	Korngold	126/25
3,611,915	10/1971	Glaser	99/445
3,688,758	9/1972	Stephen, Jr.	126/41 R
3,714,937	2/1973	Linstead	126/25 R
3,734,076	5/1973	Kiziol	126/25 R
3,806,987	4/1974	Koziol	16/191

Primary Examiner—A. Hugo Word
Assistant Examiner—Doris V. Coles
Attorney, Agent, or Firm—Joel J. Hayashida; Michael J. Mazza; Stephen M. Westbrook

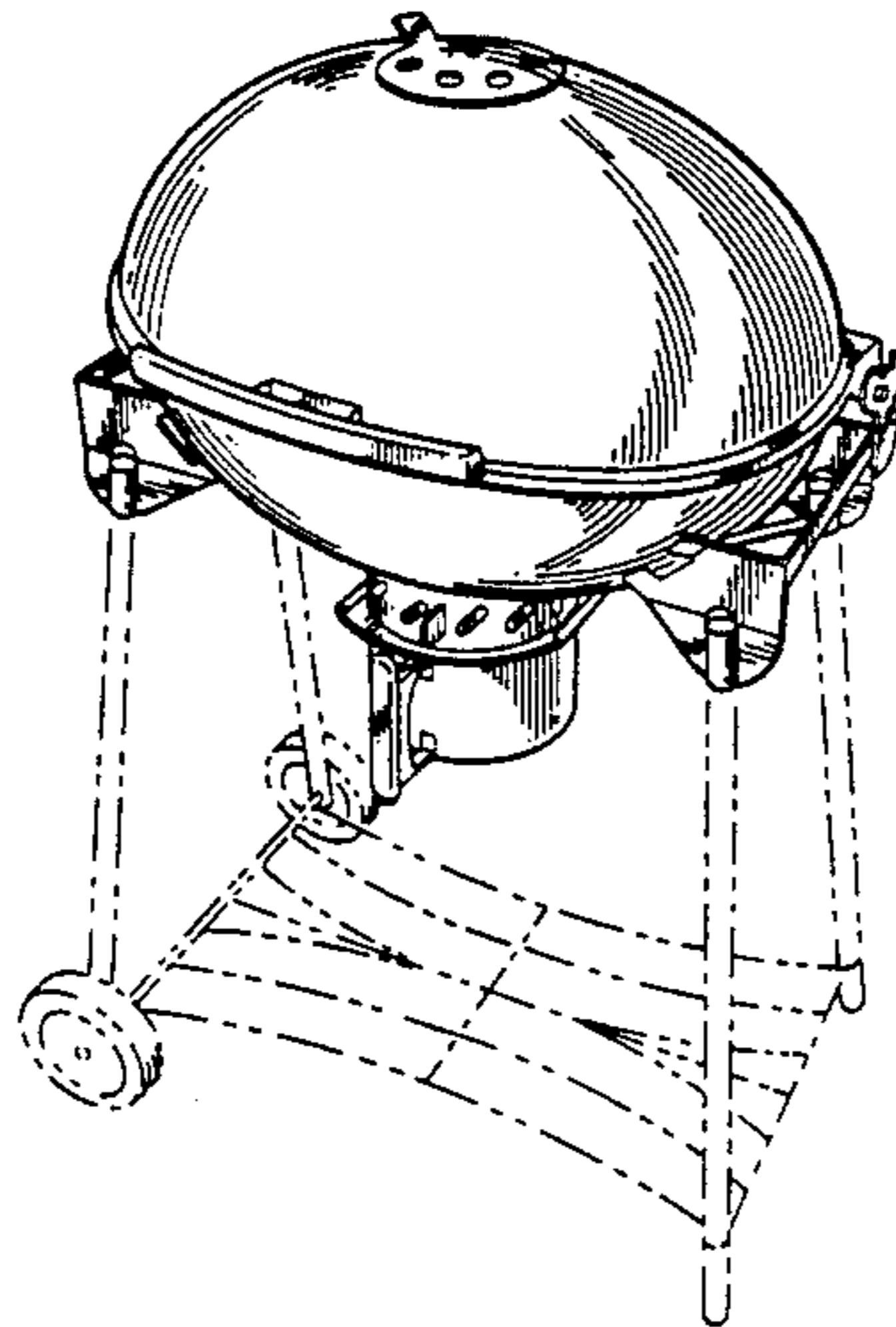
[57] CLAIM

The ornamental design for a barbecue grill kettle, as shown and described.

DESCRIPTION

FIG. 1 is a front perspective view of a barbecue grill kettle showing our new design;
 FIG. 2 is a front elevational view thereof;
 FIG. 3 is a top plan view thereof;
 FIG. 4 is a left side elevational view thereof;
 FIG. 5 is right side elevational view thereof;
 FIG. 6 is a rear elevational view thereof;
 FIG. 7 is a bottom plan view thereof; and,
 FIG. 8 is a bottom plan view thereof without environmental broken lines.

The broken line showing of environment is for illustrative purposes only and forms no part of the claimed design.



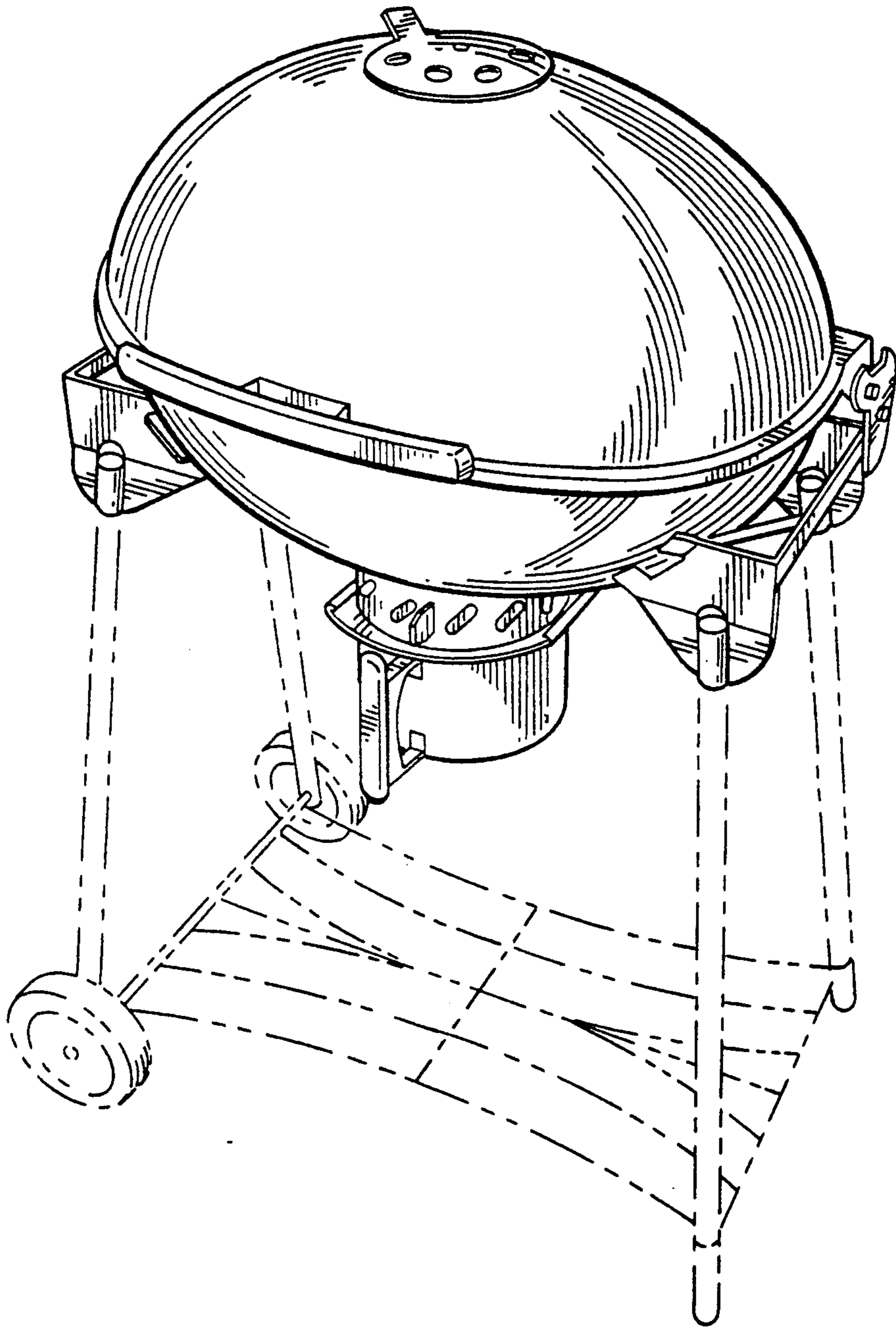


FIGURE 1

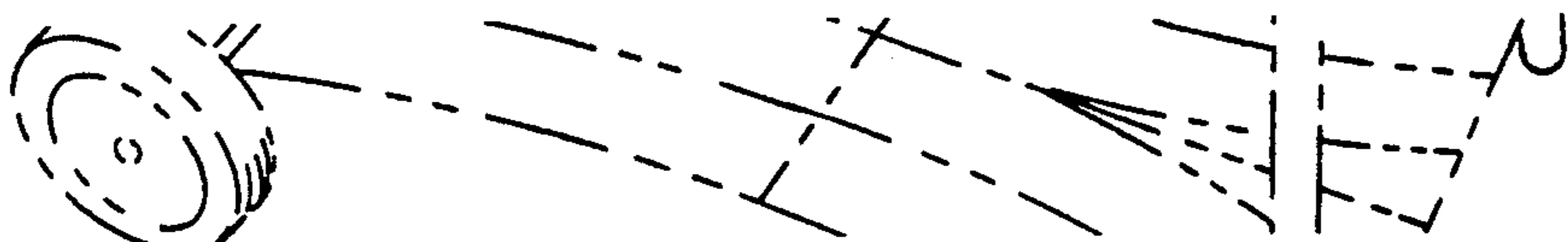


FIGURE 3

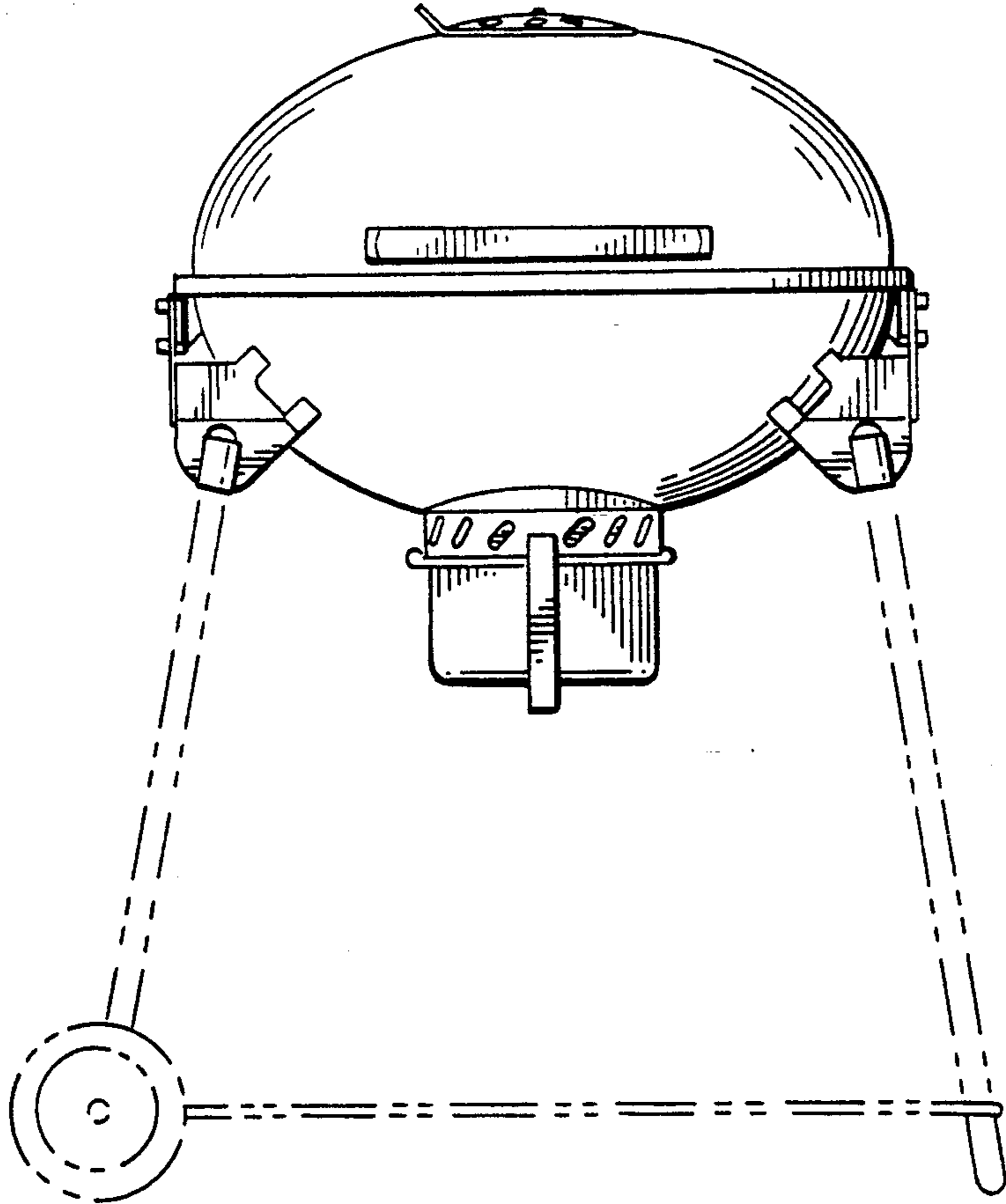
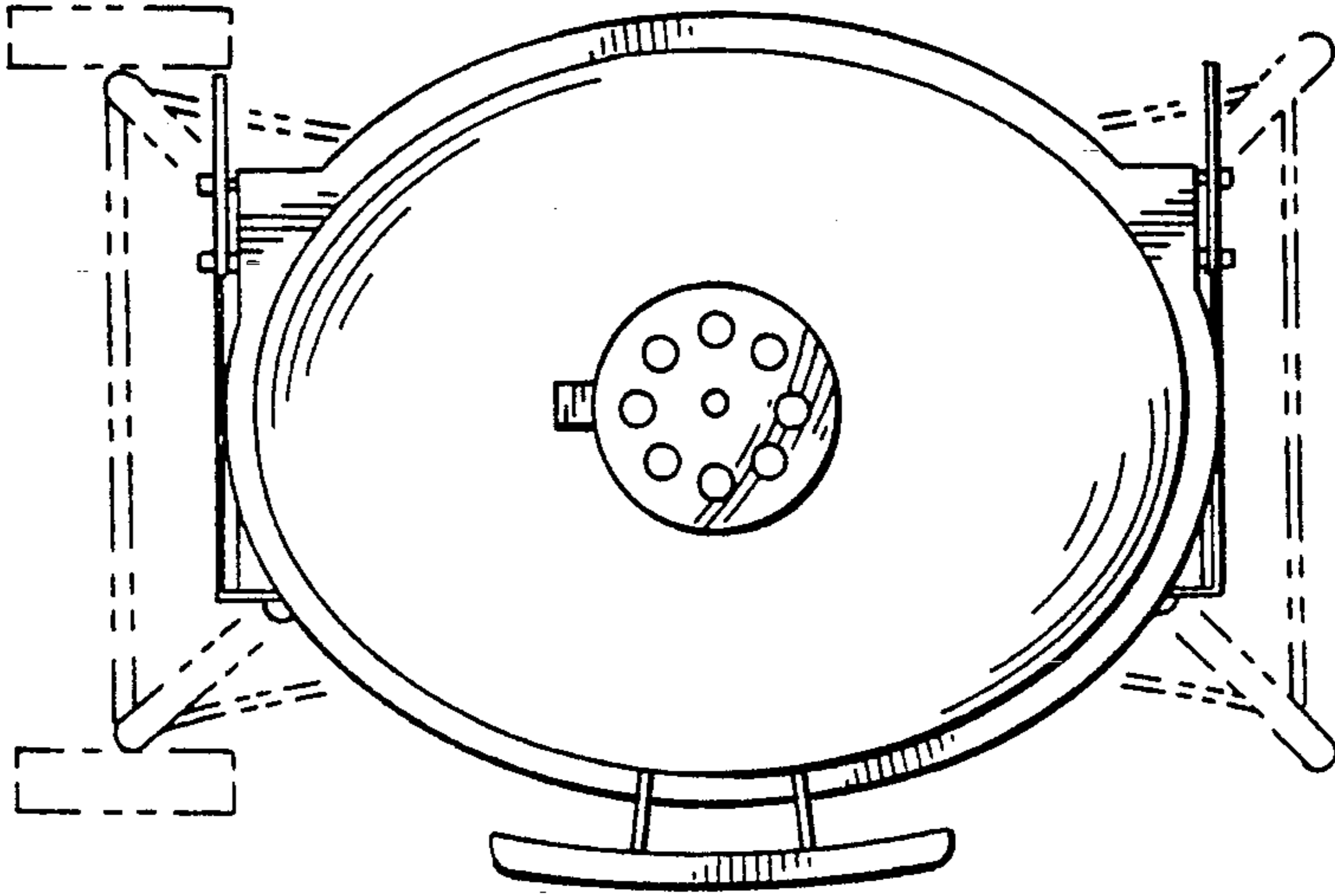


FIGURE 2

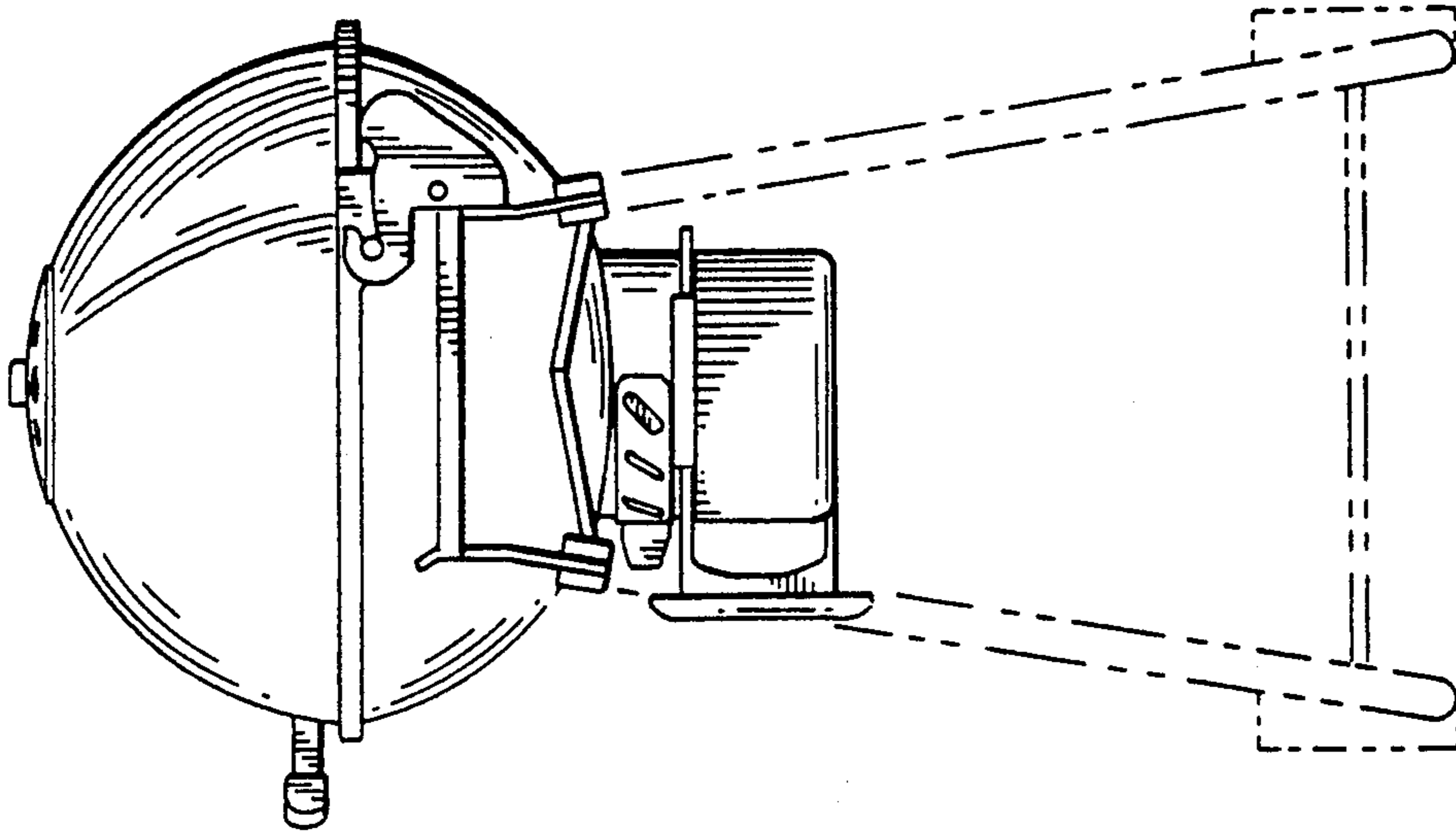


FIGURE 5

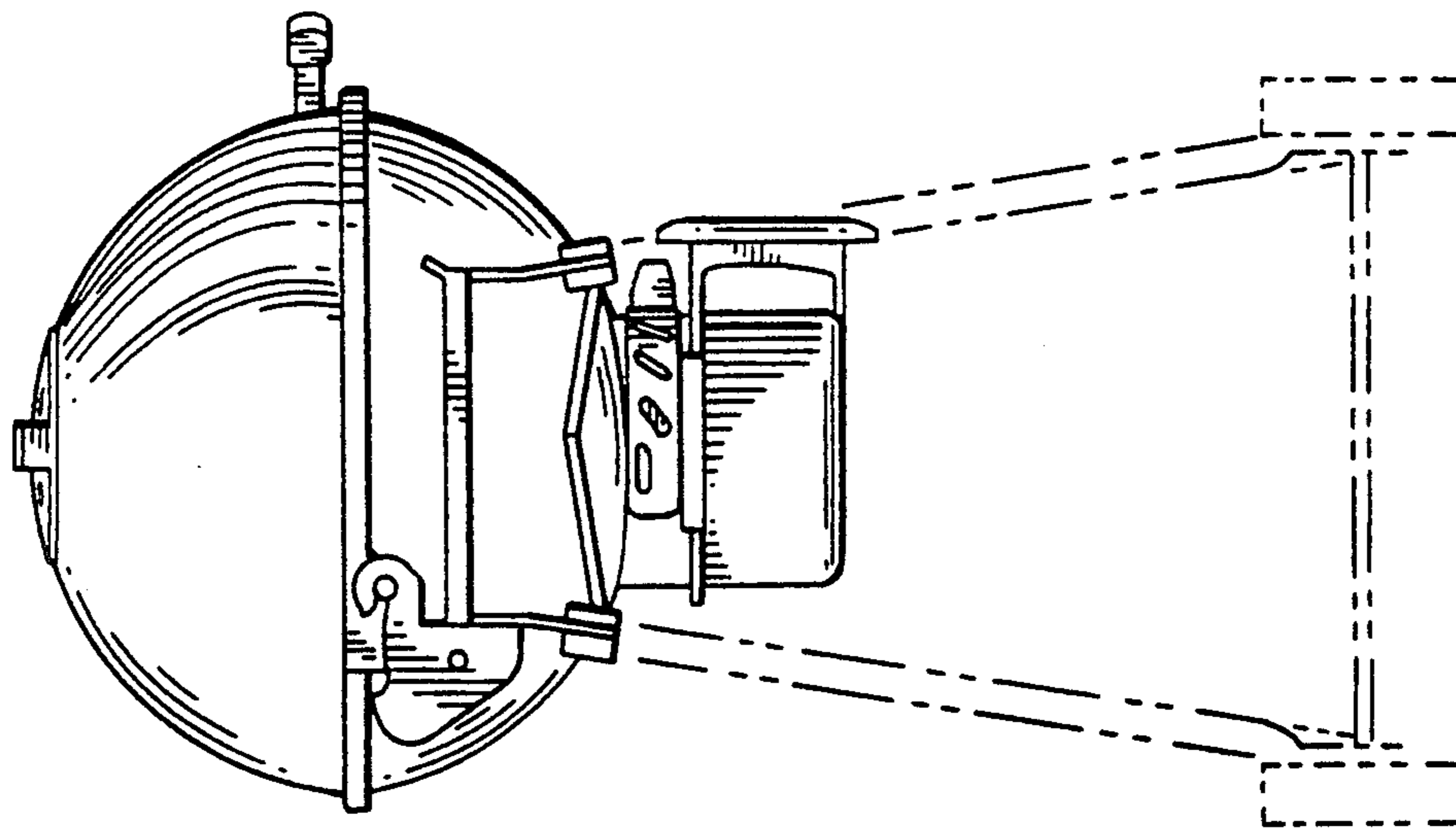


FIGURE 4

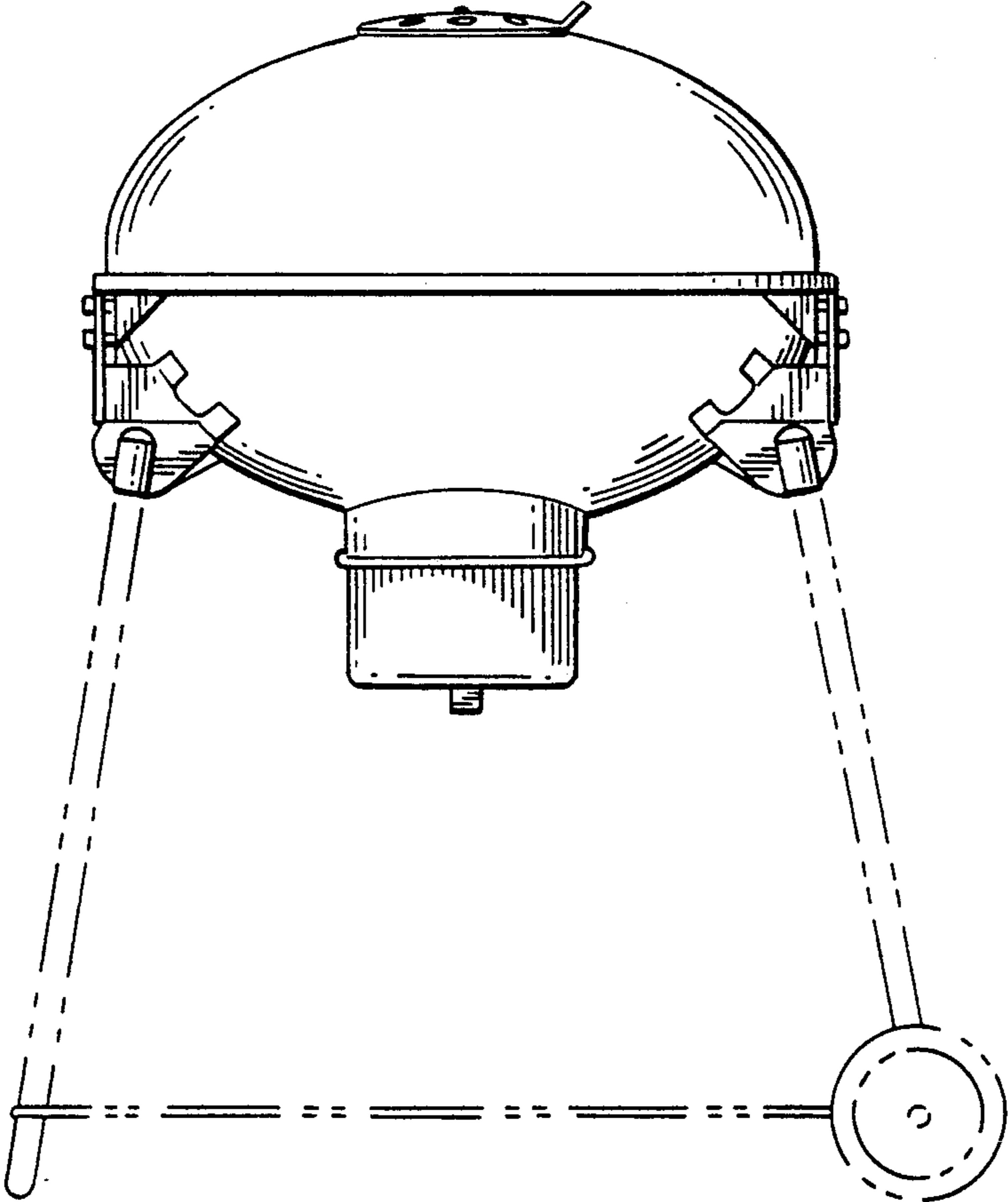


FIGURE 6

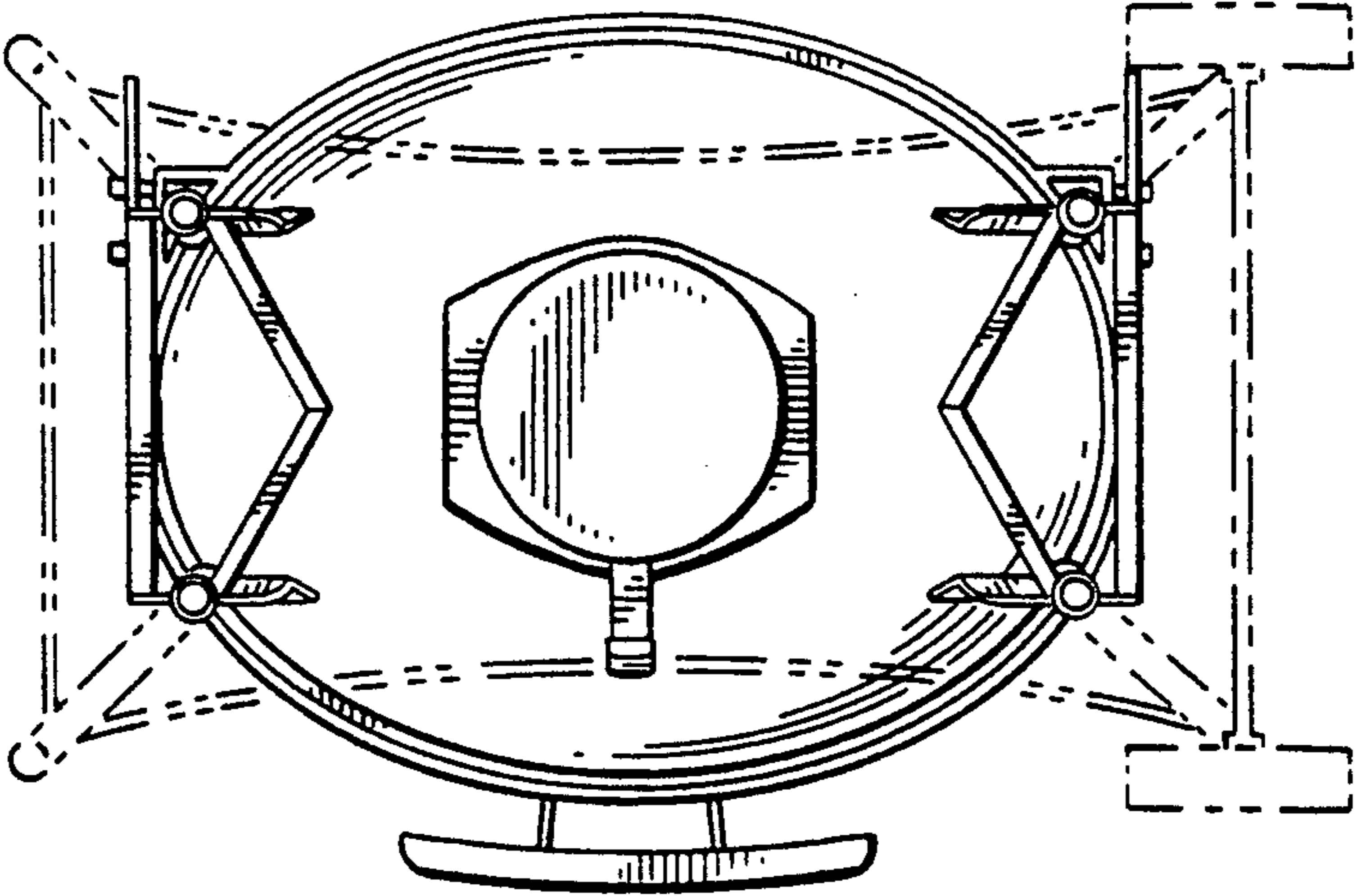


FIGURE 7

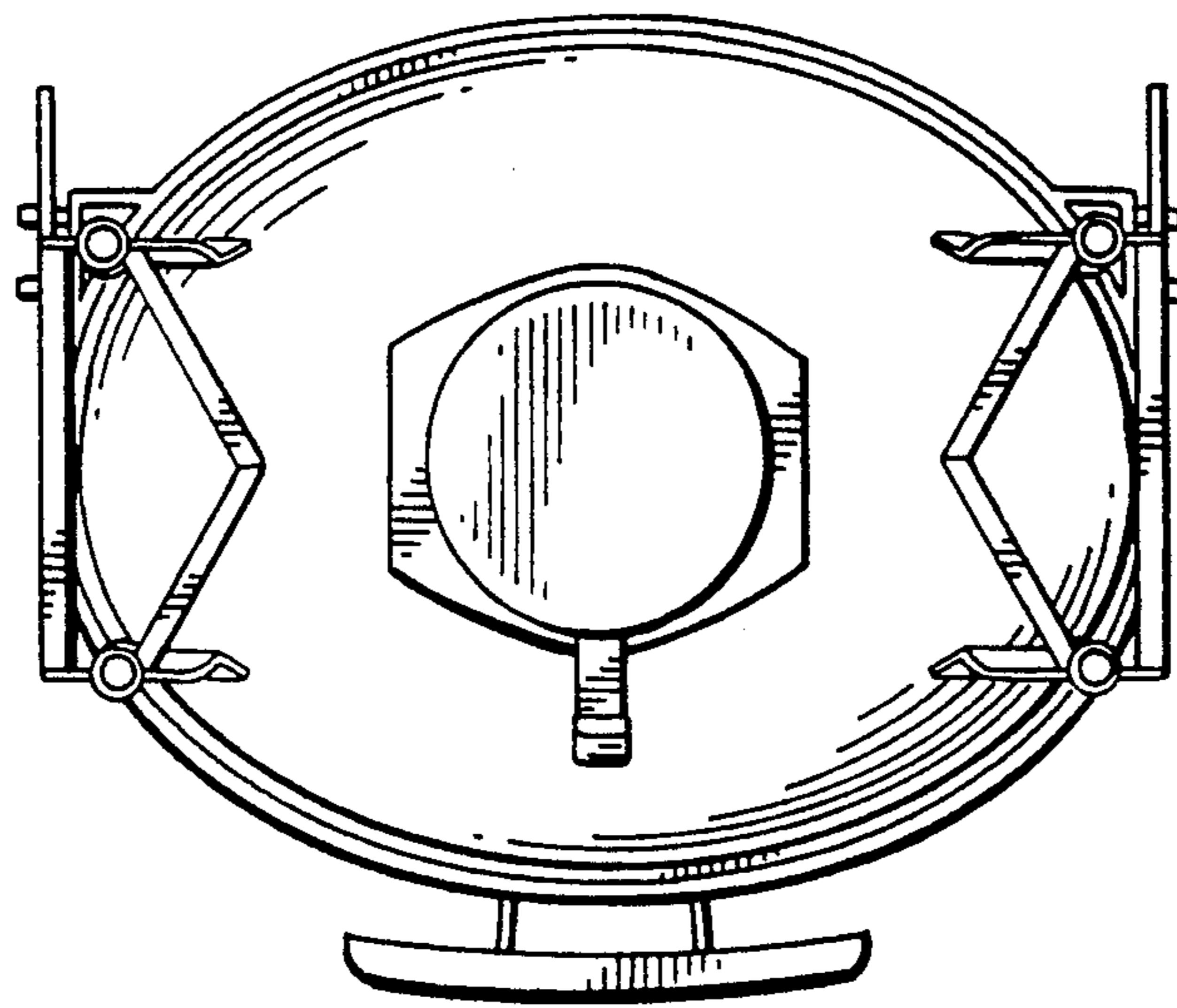


FIGURE 8