



US00D325311S

United States Patent [19]

[11] Patent Number: **Des. 325,311**

Mygind

[45] Date of Patent: **** Apr. 14, 1992**

[54] **PLASTIC BAG ROLL DISPENSER**

D. 182,391 3/1958 Tuttle D6/518
D. 273,063 3/1984 Gatward D6/518

[75] Inventor: **Soren Mygind, Virum, Denmark**

FOREIGN PATENT DOCUMENTS

[73] Assignee: **Sonoco Products Company, Hartsville, S.C.**

2279368 2/1976 France 221/34

[**] Term: **14 Years**

Primary Examiner—Brian N. Vinson
Attorney, Agent, or Firm—Bell, Seltzer, Park & Gibson

[21] Appl. No.: **463,655**

[57] CLAIM

[22] Filed: **Jan. 11, 1990**

The ornamental design for a plastic bag roll dispenser, as shown and described.

[52] U.S. Cl. **D6/518**

[58] Field of Search **D6/518-523;**
206/389, 391, 603, 605; 211/13, 86-87; 221/30,
33-34, 45, 92, 94, 119, 123, 282-286, 312 A;
222/98-100, 105; 242/55.2, 55.3, 55.53, 56 R;
312/37

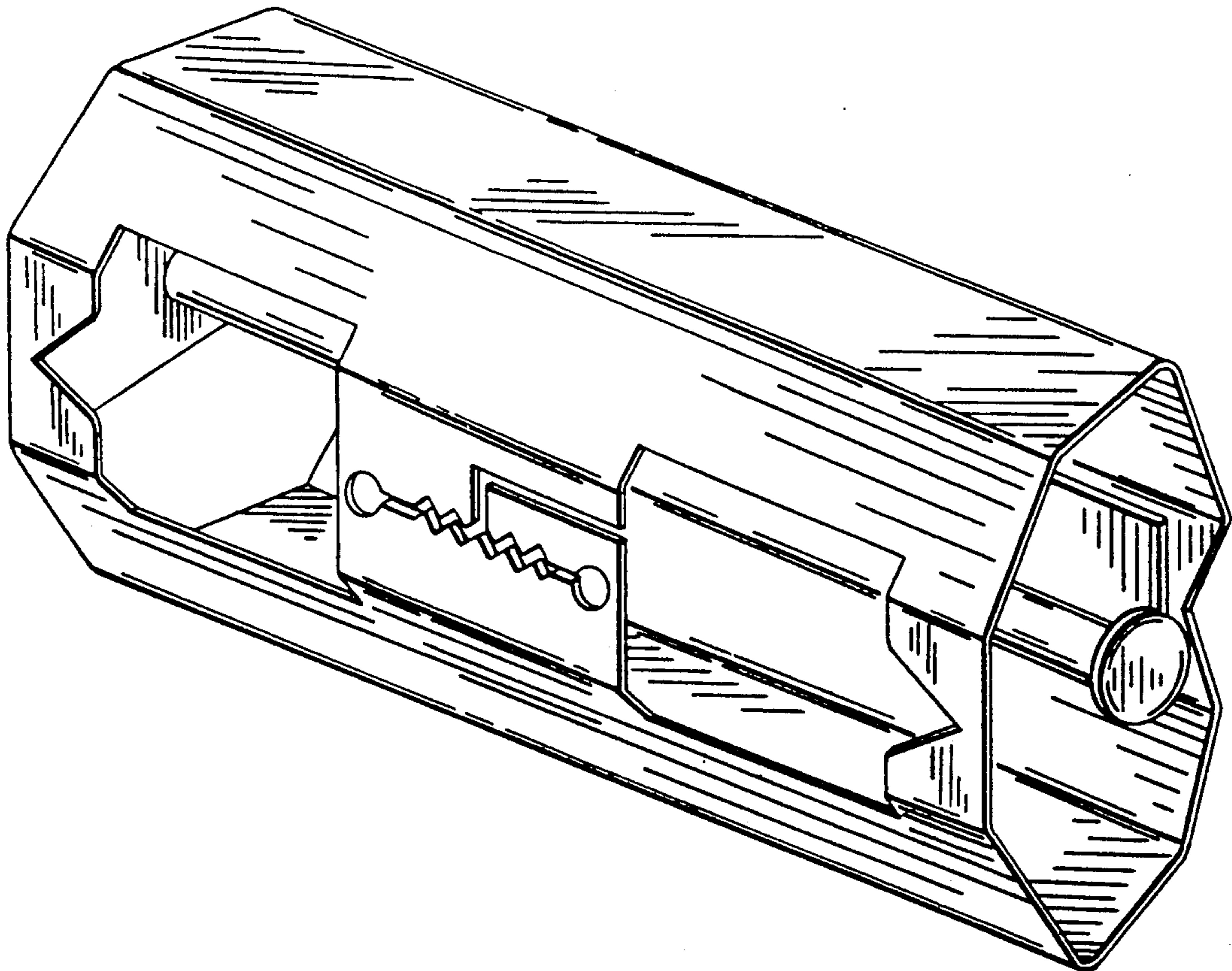
DESCRIPTION

FIG. 1 is a top, front, and right side perspective view of a plastic bag roll dispenser showing my new design; FIG. 2 is a top plan view thereof; FIG. 3 is a front elevational view thereof; FIG. 4 is a rear elevational view thereof; FIG. 5 is a right side elevational view thereof; FIG. 6 is a left side elevational view thereof; and, FIG. 7 is a perspective view thereof, showing the article in an alternate position.

[56] References Cited

U.S. PATENT DOCUMENTS

D. 108,561 2/1938 Broeron et al. D6/518
D. 156,646 12/1949 Mell D6/518



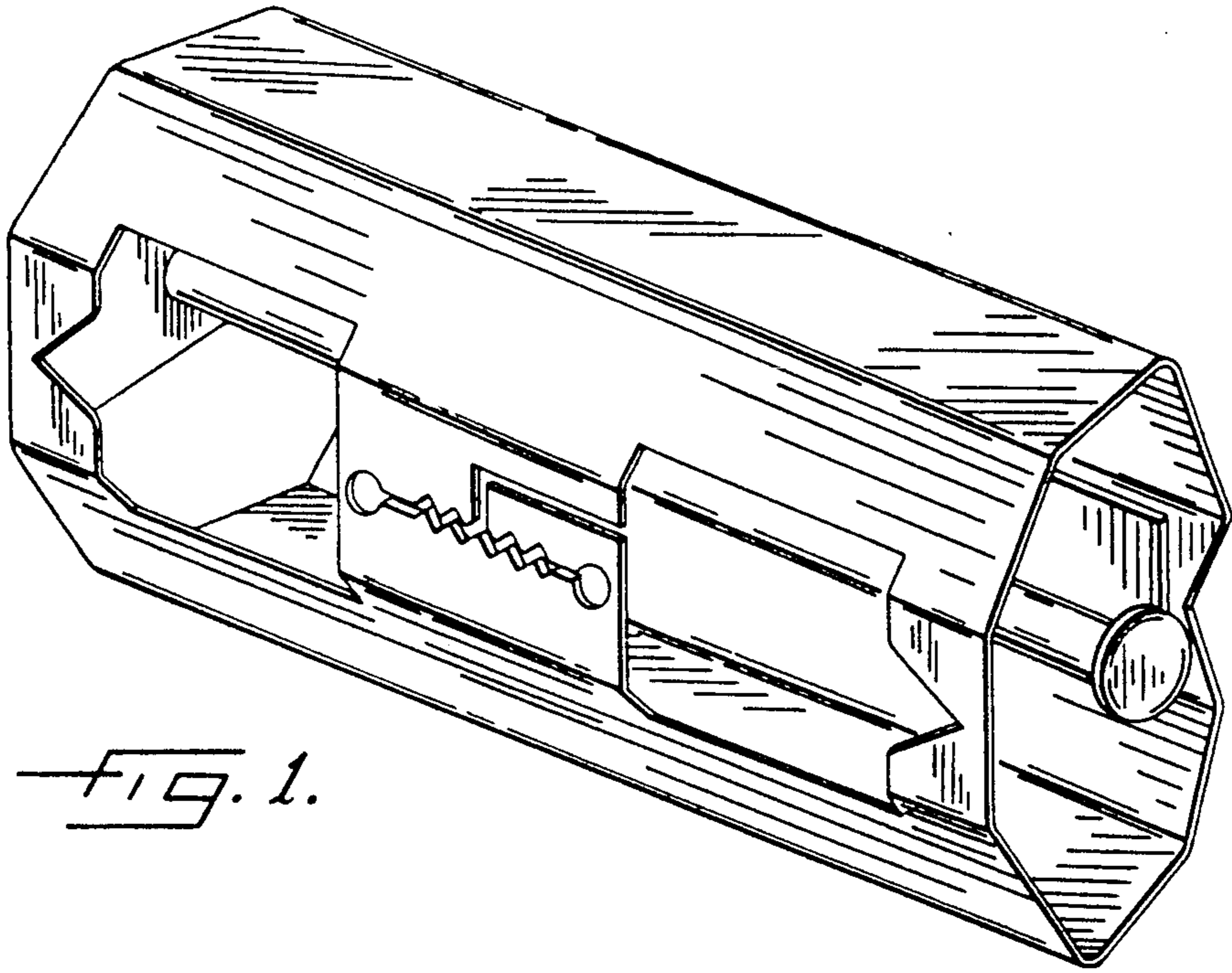


FIG. 1.

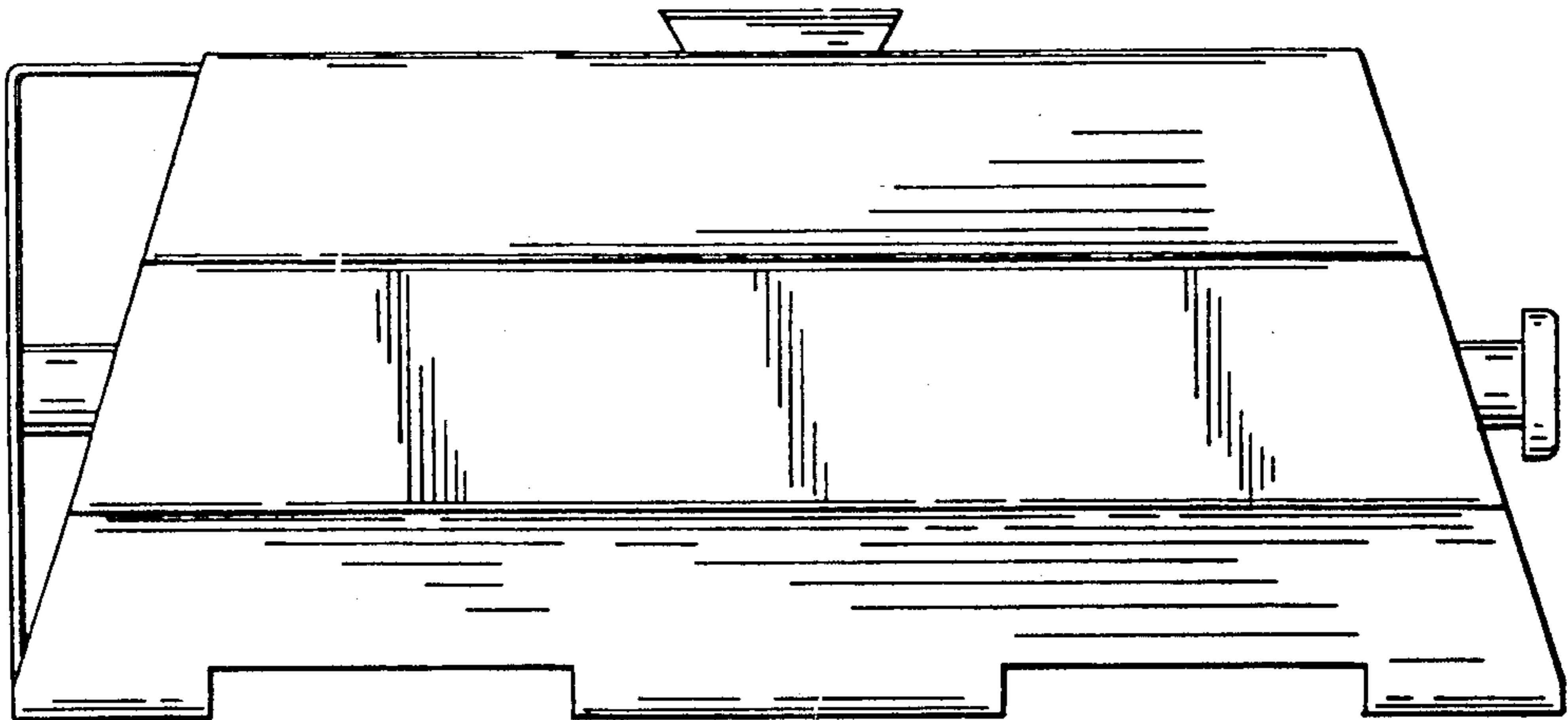


FIG. 2.

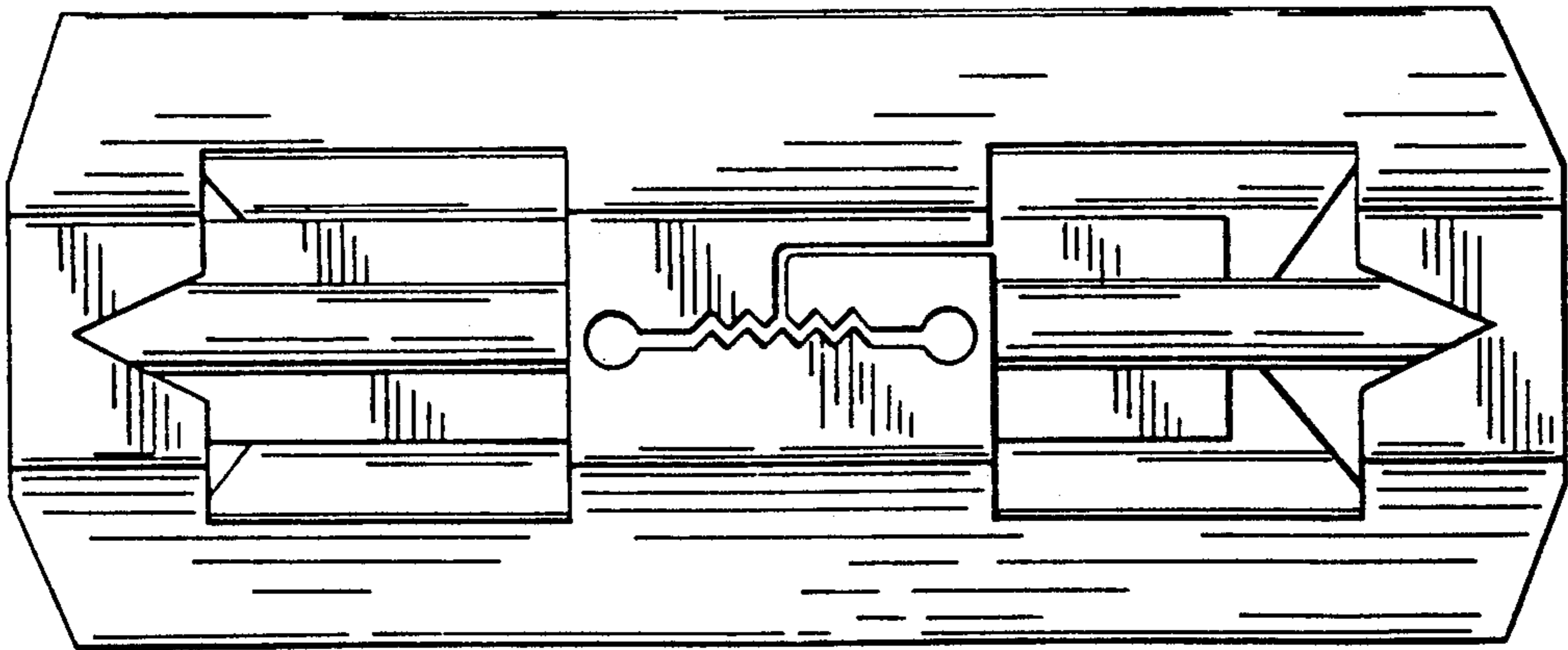


FIG. 3.

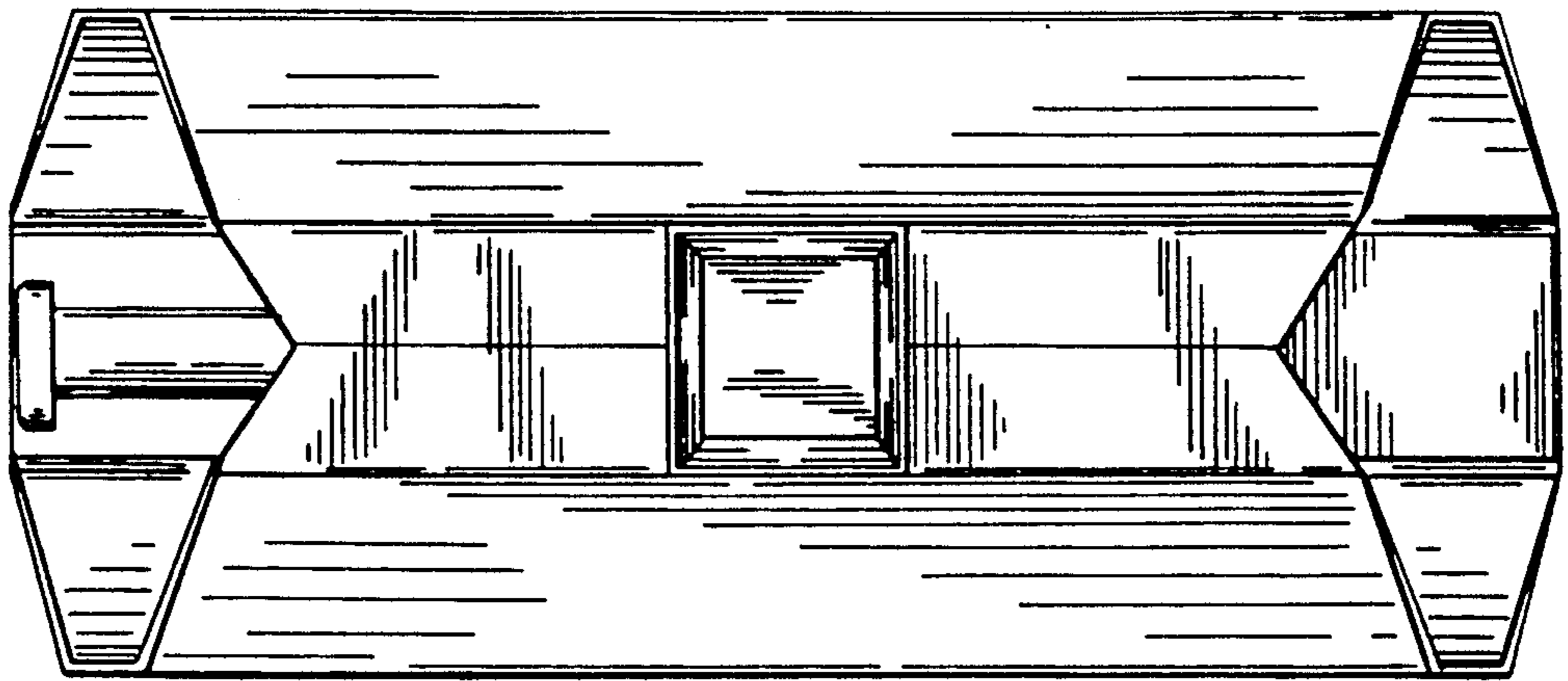


FIG. 4.

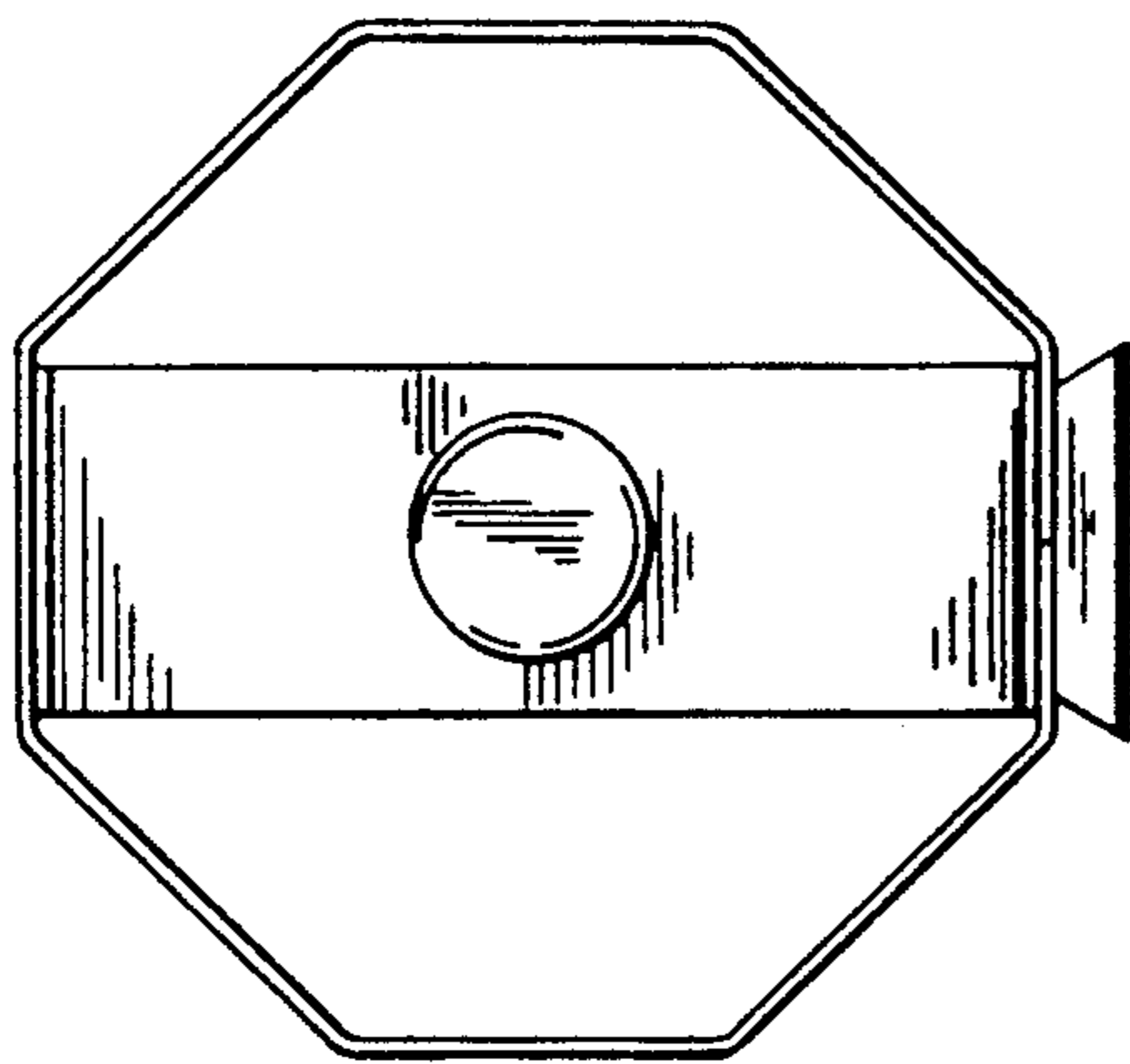


FIG. 5.

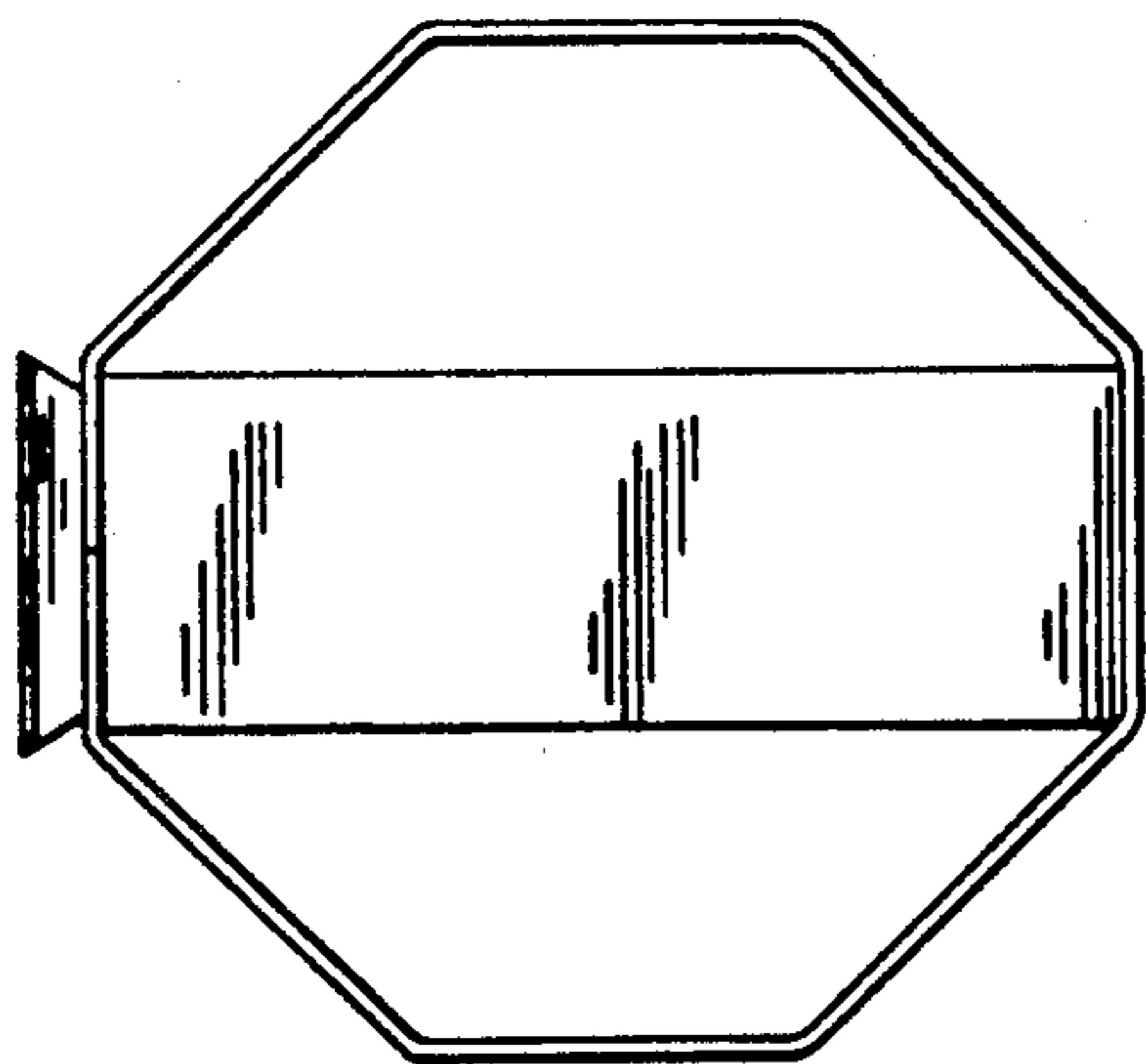


FIG. 6.

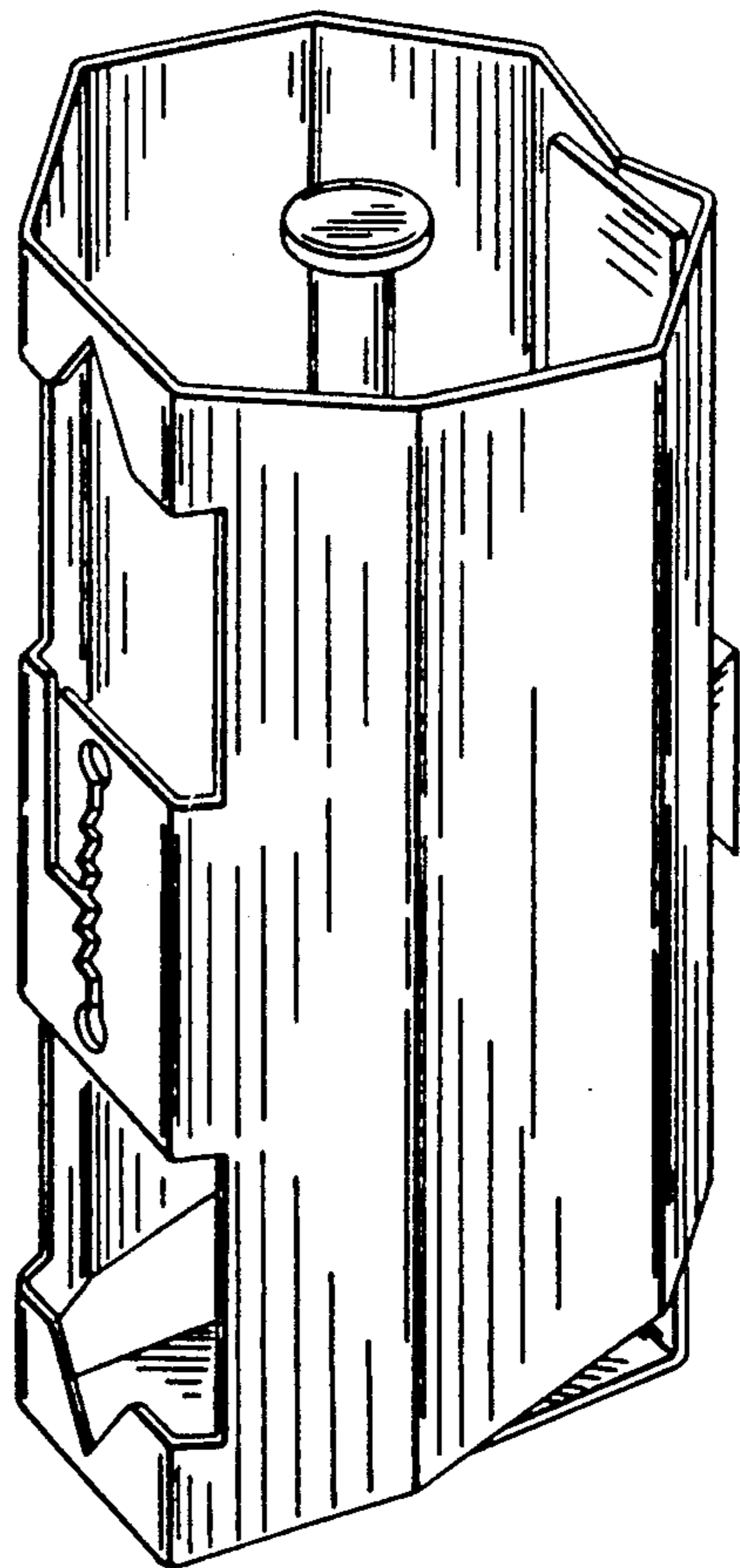


FIG. 7.