



US00D325310S

# United States Patent [19]

[11] Patent Number: **Des. 325,310**

Leonard

[45] Date of Patent: **\*\* Apr. 14, 1992**

[54] **SUSPENDED TABLE**

4,417,714 11/1983 Charm ..... 248/323  
4,862,764 9/1989 Gehring ..... D6/513 X

[76] Inventor: **Miranda Leonard**, Church Court  
Condominiums, 492 Beacon St.,  
Boston, Mass. 02115

*Primary Examiner*—Brian N. Vinson  
*Attorney, Agent, or Firm*—Townsend and Townsend

[\*\*] Term: **14 Years**

[57] **CLAIM**

[21] Appl. No.: **533,039**

The ornamental design for a suspended table, as shown  
and described.

[22] Filed: **Jun. 4, 1990**

[52] U.S. Cl. .... **D6/513; D6/480**

[58] Field of Search ..... **D6/512-513,**  
**D6/396, 449, 480, 484, 487; 108/42, 144;**  
**211/113, 117; 248/317, 320, 323, 327, 328**

**DESCRIPTION**

[56] **References Cited**

**U.S. PATENT DOCUMENTS**

D. 238,991 3/1976 Benavides ..... D6/513  
D. 290,205 6/1987 Berry, Jr. .... D6/487 X  
3,885,319 5/1975 Rollband ..... D6/513 X

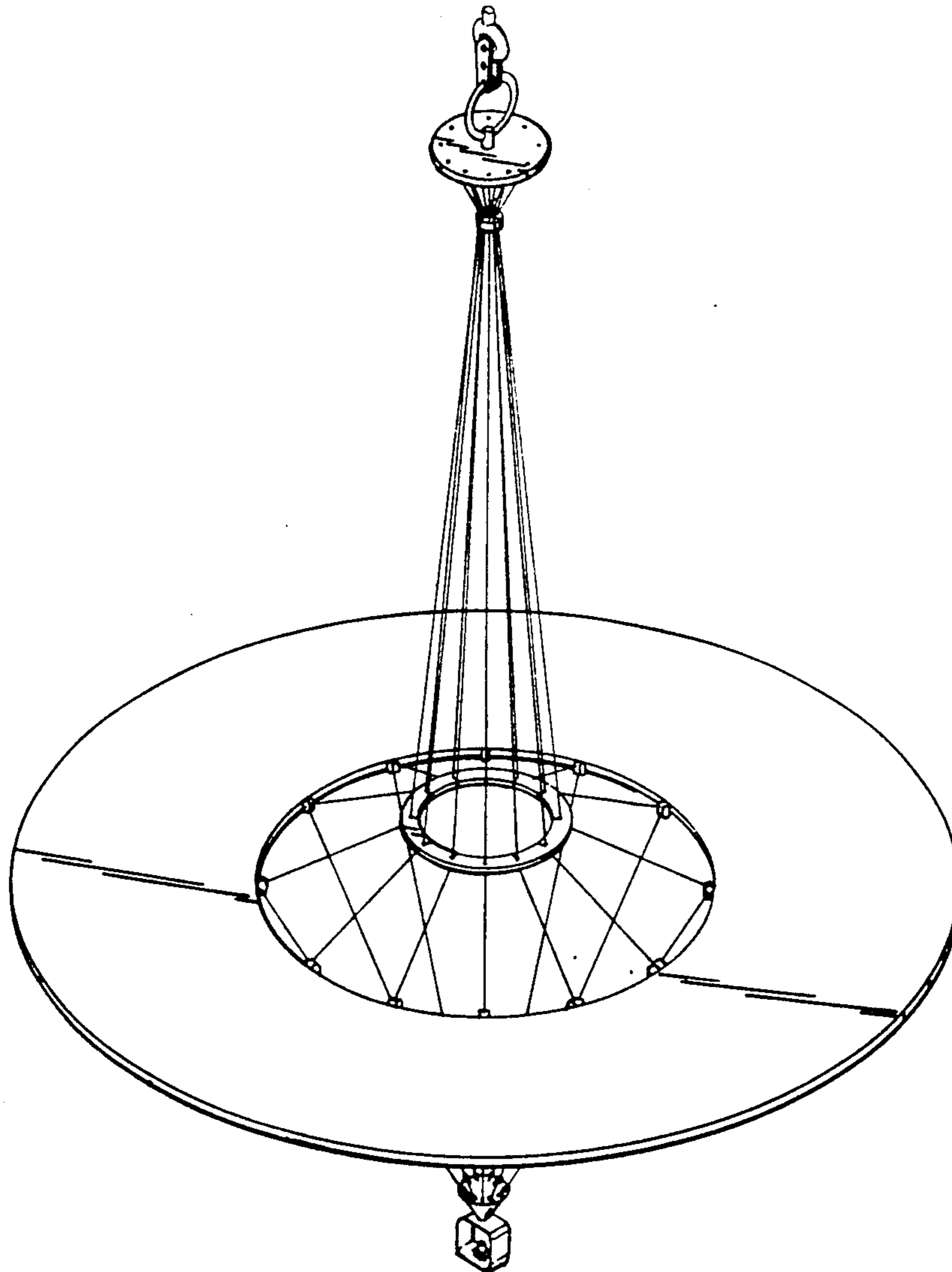
FIG. 1 is a top perspective view of a suspended table  
showing my new design;

FIG. 2 is a horizontal cross-sectional view thereof,  
taken along line 2—2 of FIG. 4;

FIG. 3 is a bottom plan view thereof;

FIG. 4 is a side elevational view thereof, the opposite  
side being identical in appearance to that shown; and,

FIG. 5 is a front elevational view thereof, the rear being  
identical in appearance to that shown.



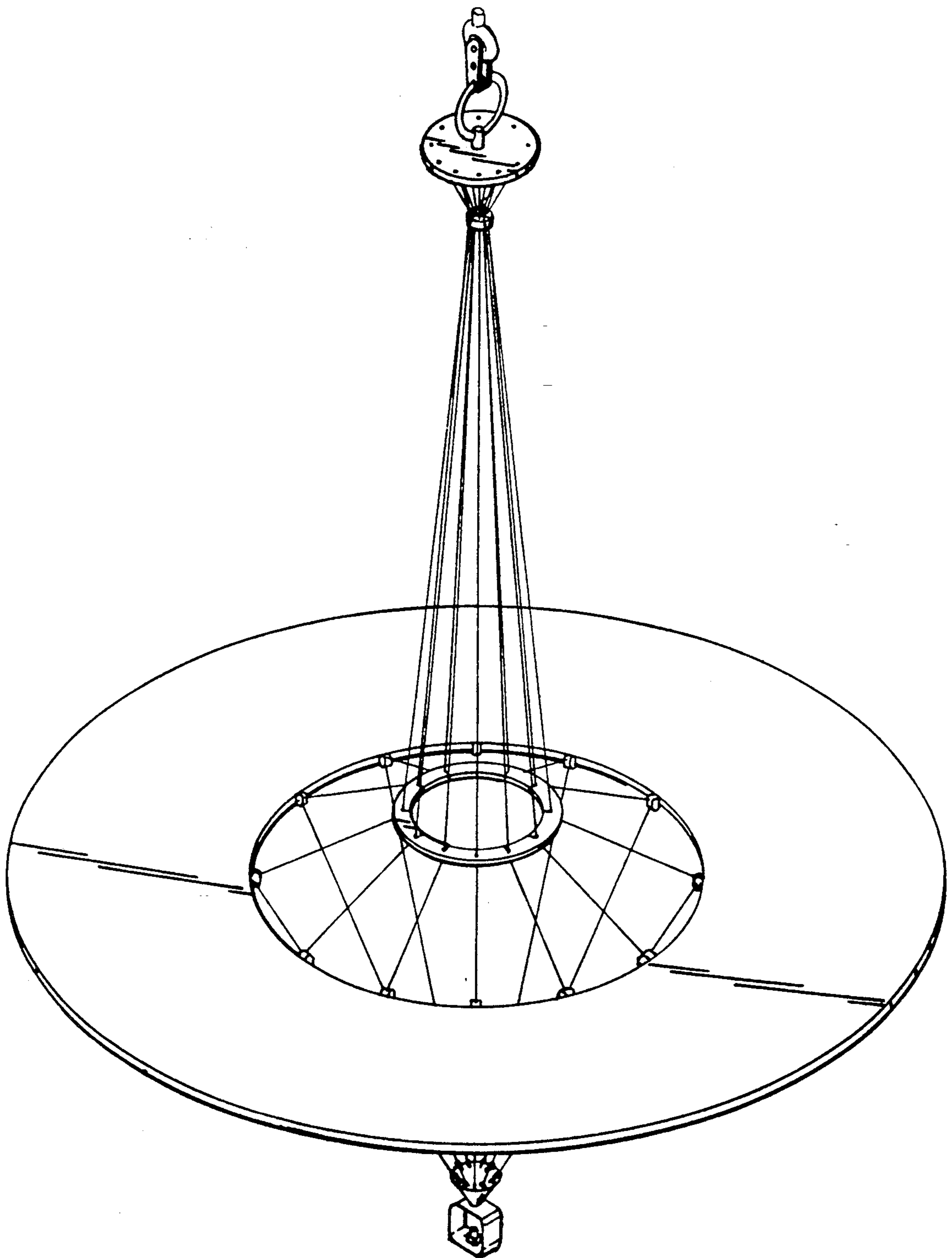


FIG. 1.

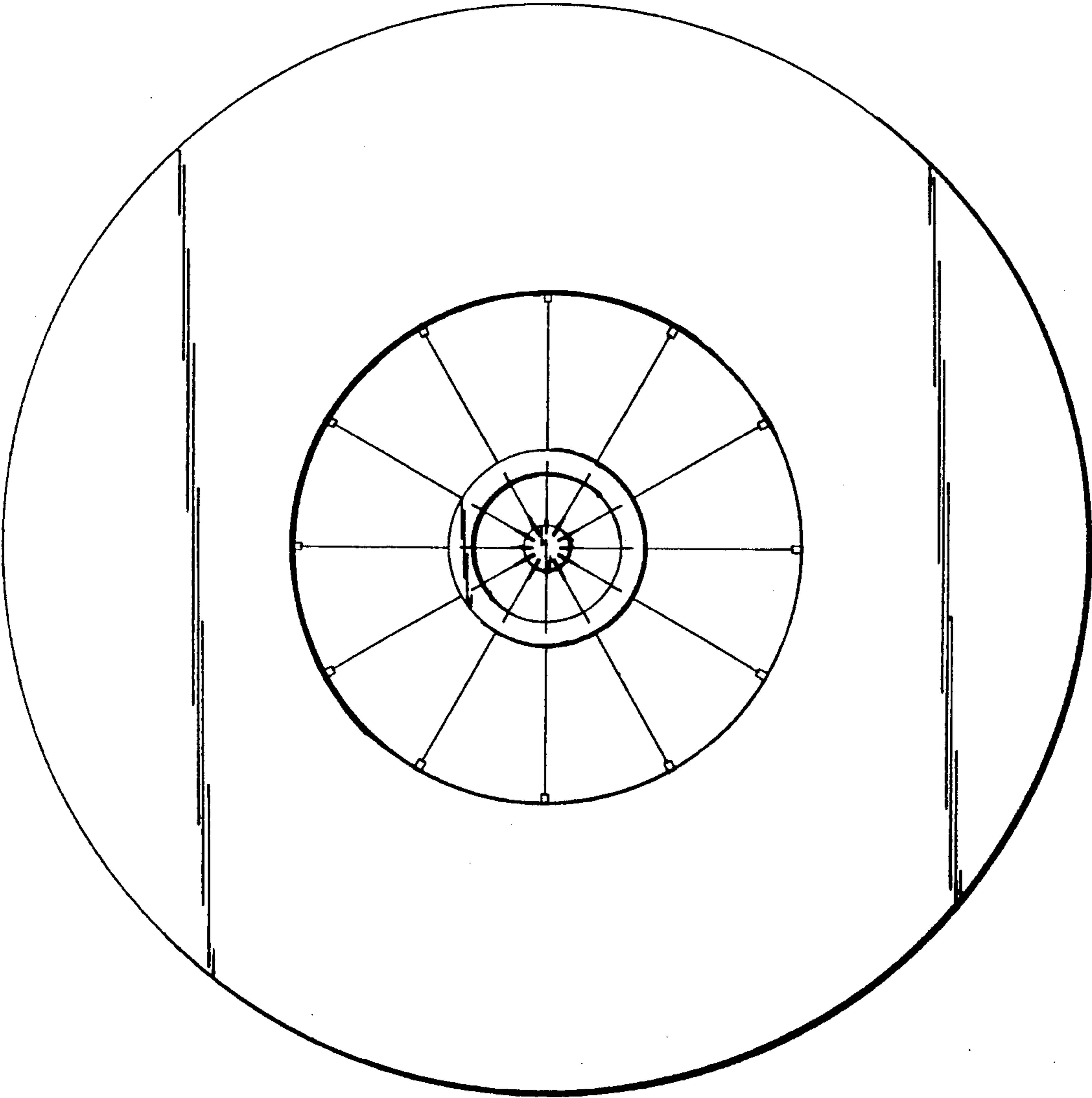
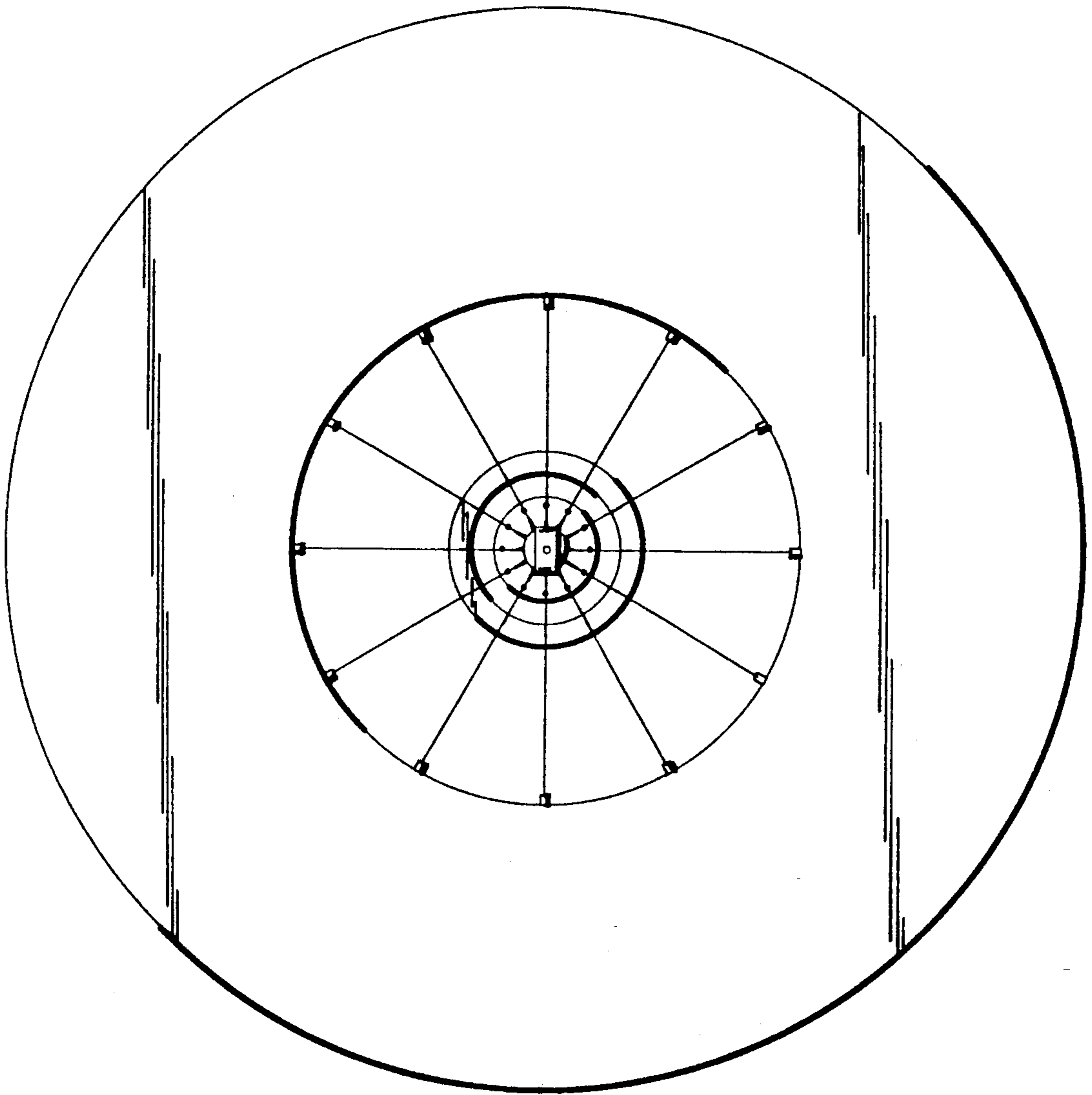


FIG. 2.



*FIG. 3.*

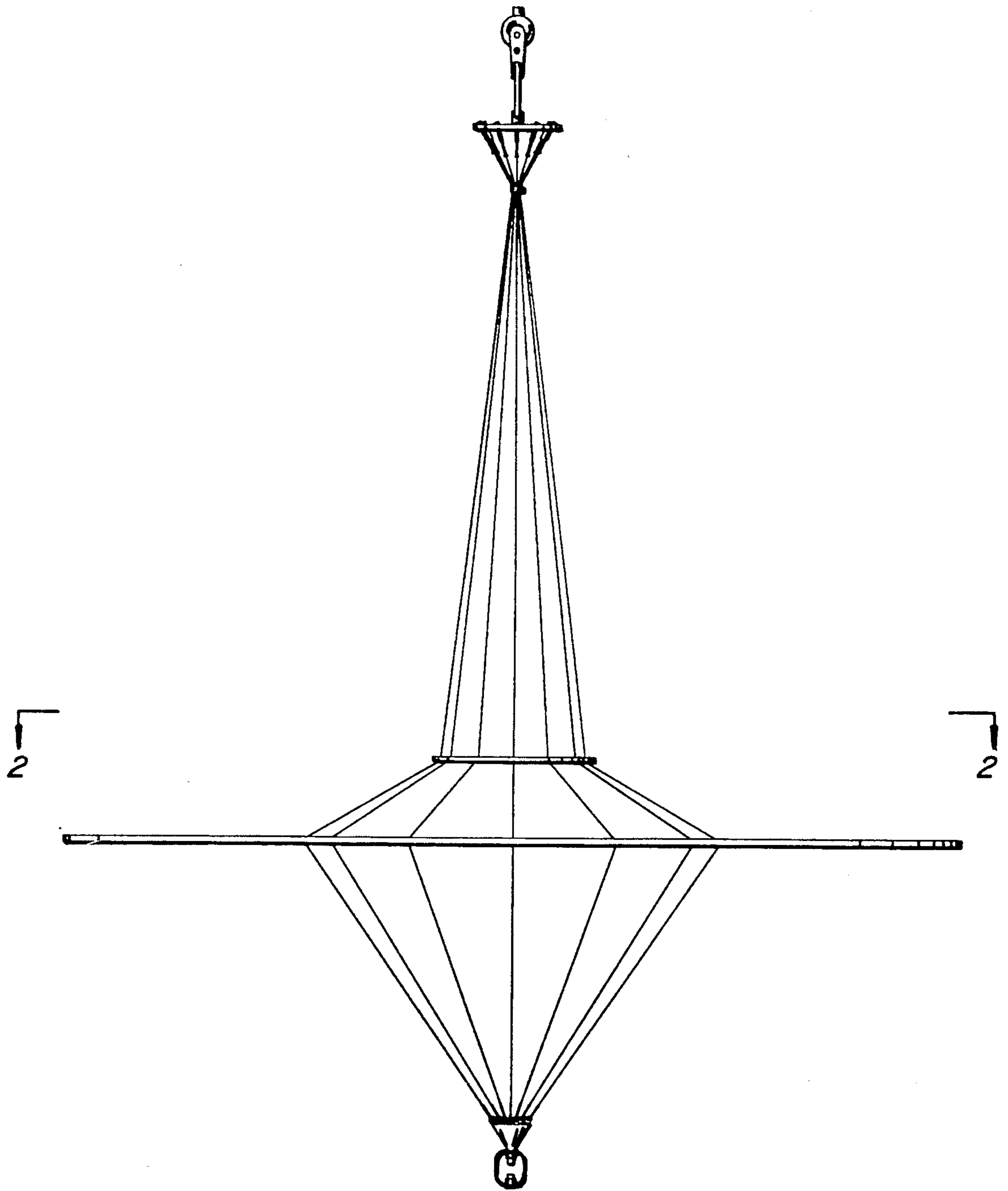


FIG. 4.

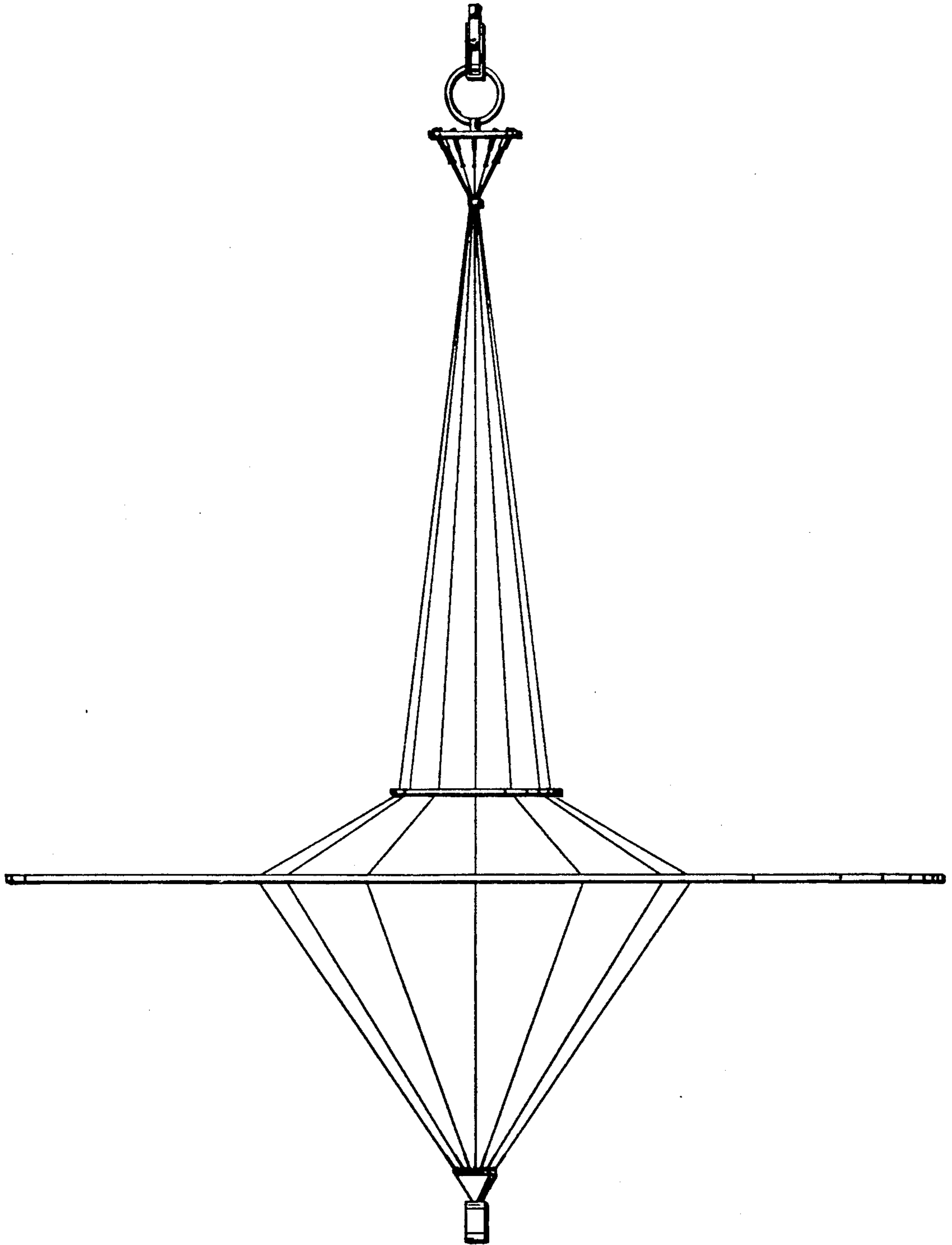


FIG. 5.