



US00D325309S

United States Patent [19]

[11] Patent Number: **Des. 325,309**

Worrell

[45] Date of Patent: **** Apr. 14, 1992**

[54] CABINET FOR USE IN AN OFFICE

[75] Inventor: **William R. Worrell, Hopkins, Minn.**

[73] Assignee: **Allsteel Inc., Aurora, Ill.**

[**] Term: **14 Years**

[21] Appl. No.: **384,021**

[22] Filed: **Jul. 24, 1989**

[52] U.S. Cl. **D6/509; D6/396; D6/414; D6/432; D6/446; D6/448; 312/198**

[58] Field of Search **D6/509, 408, 448, 411, D6/415, 422, 432, 436, 438, 444, 446; 312/140.1, 198**

[56] References Cited

U.S. PATENT DOCUMENTS

D. 282,683 2/1986 Case et al. D6/422 X
D. 312,927 12/1990 Martin et al. D6/436 X

FOREIGN PATENT DOCUMENTS

237225 12/1964 Austria 312/198

OTHER PUBLICATIONS

Mettiamo Su Casa Insieme Cat. #3, Jun. 5, 1979, p. 3, "Pert 80" Modular System, center of page.

The Office, Sep. 1980, p. 121, "World Data Environments" Components, center of page.

The Office, Jan. 1981, p. 54, "Adanlock" Modular System, bottom of page.

Primary Examiner—Donald P. Walsh

Assistant Examiner—Monica A. Hannon

Attorney, Agent, or Firm—Lee, Mann, Smith,

McWilliams, Sweeney & Ohlson

[57] CLAIM

The ornamental design for a cabinet for use in an office, as shown and described.

DESCRIPTION

FIG. 1 is a front perspective view of a cabinet for use in an office showing my new design;

FIG. 2 is a front elevational view thereof;

FIG. 3 is a left side elevational view thereof;

FIG. 4 is a right side elevational view thereof;

FIG. 5 is a rear elevational view thereof;

FIG. 6 is a top plan view thereof; and,

FIG. 7 is a bottom plan view thereof.

The broken lines in FIG. 1 are shown for illustrative purposes only.

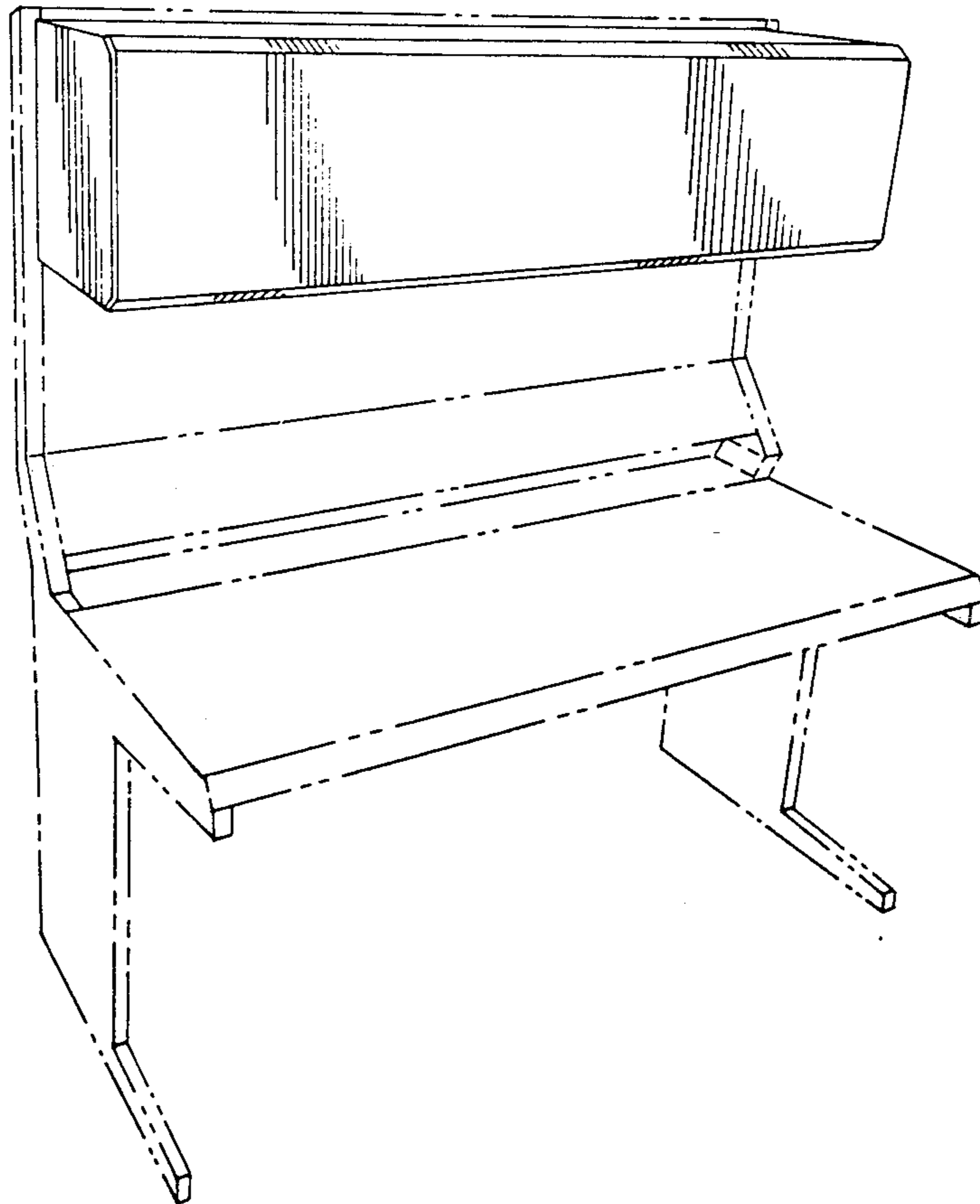


FIG. 1

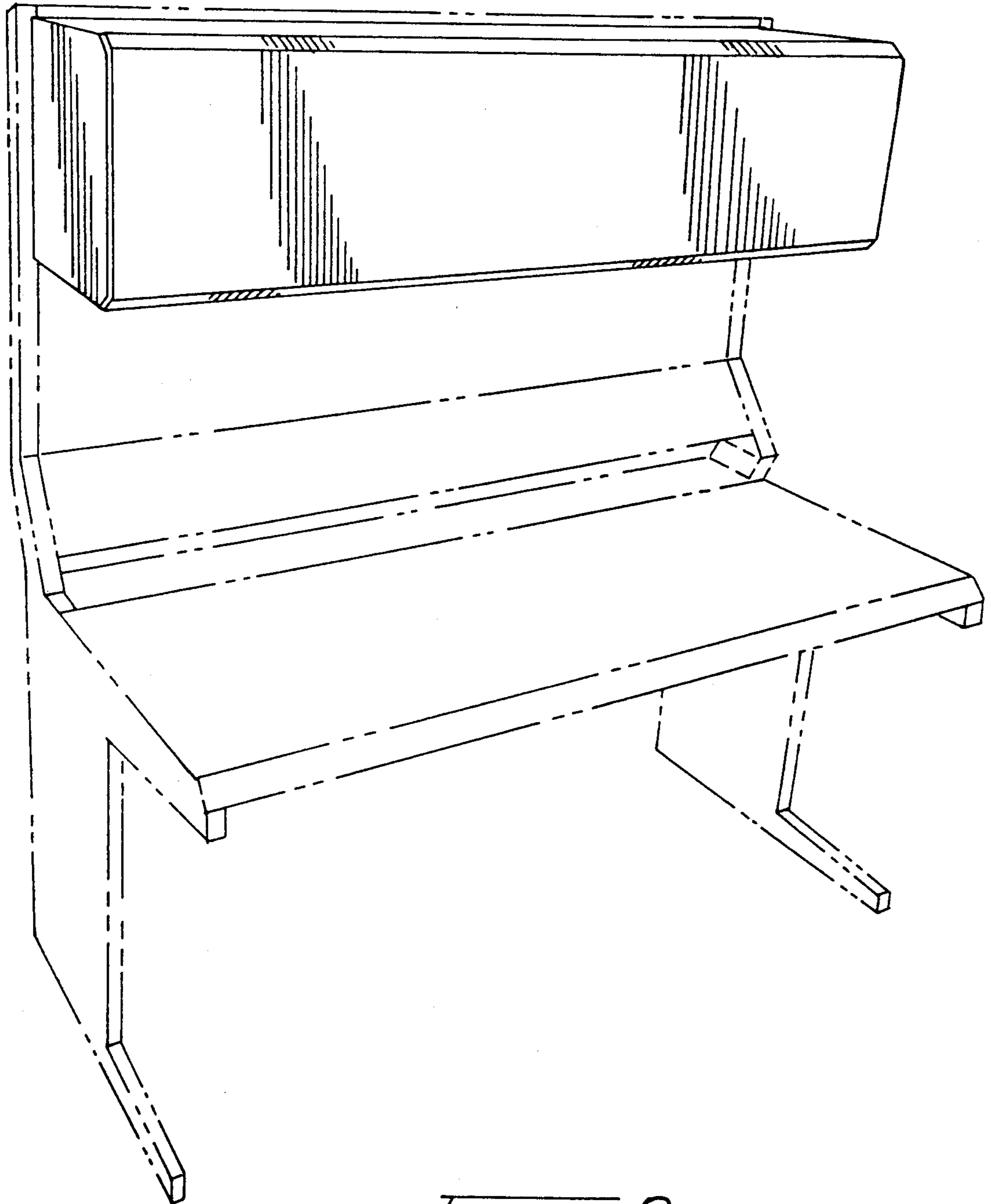


FIG. 2

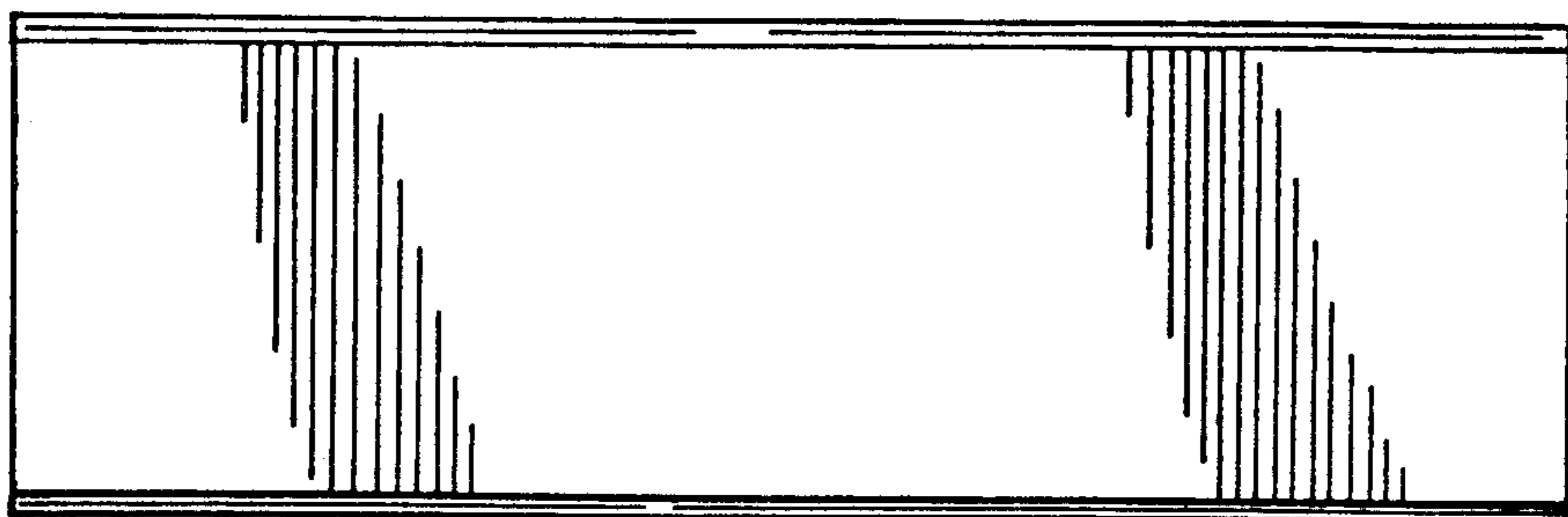


FIG. 3

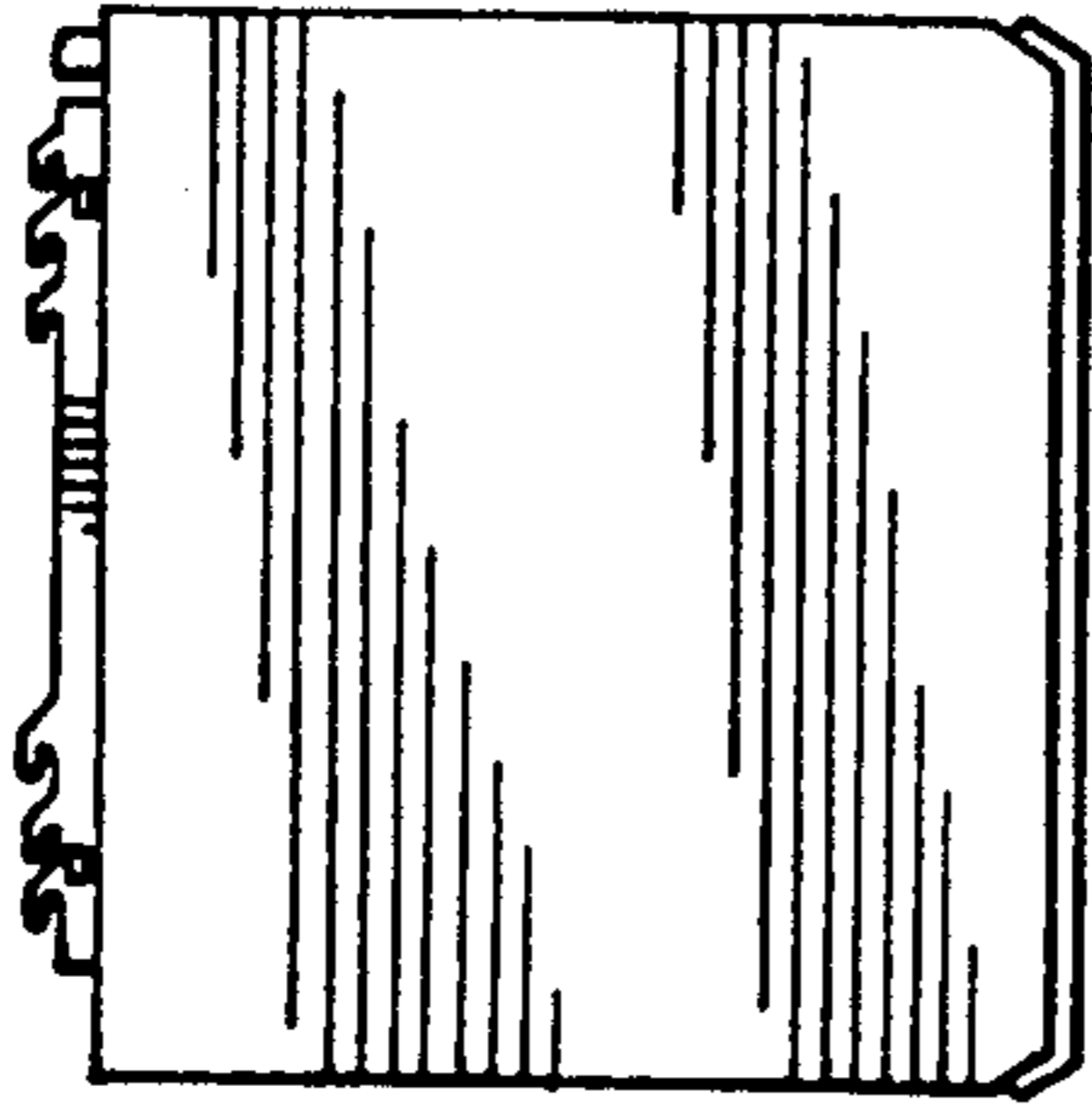


FIG. 4

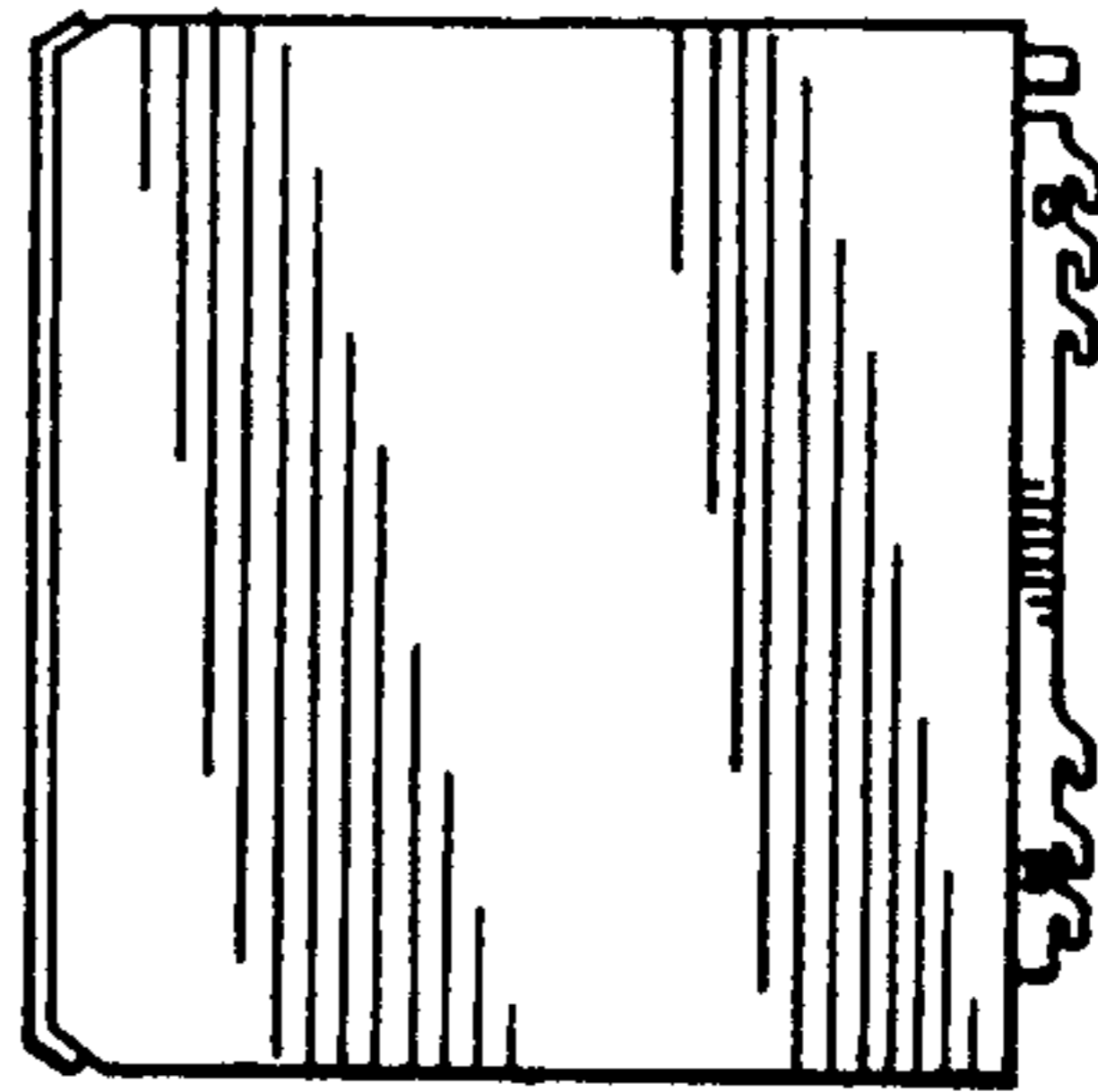


FIG. 5

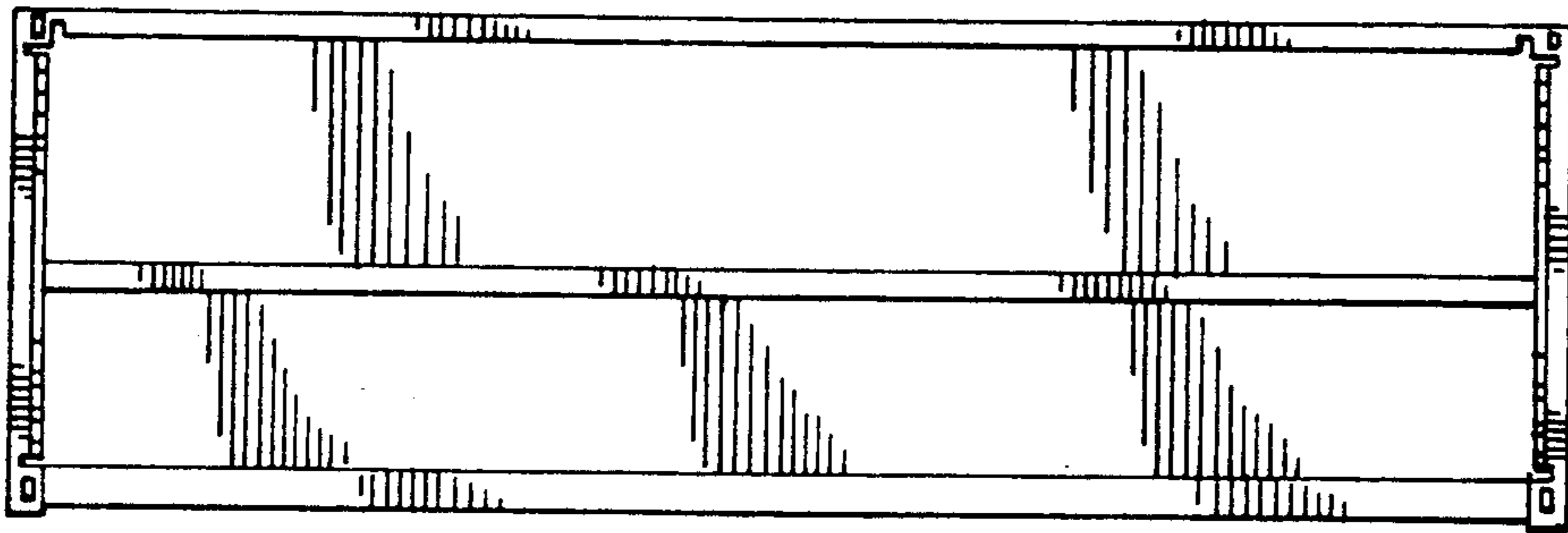


FIG. 6

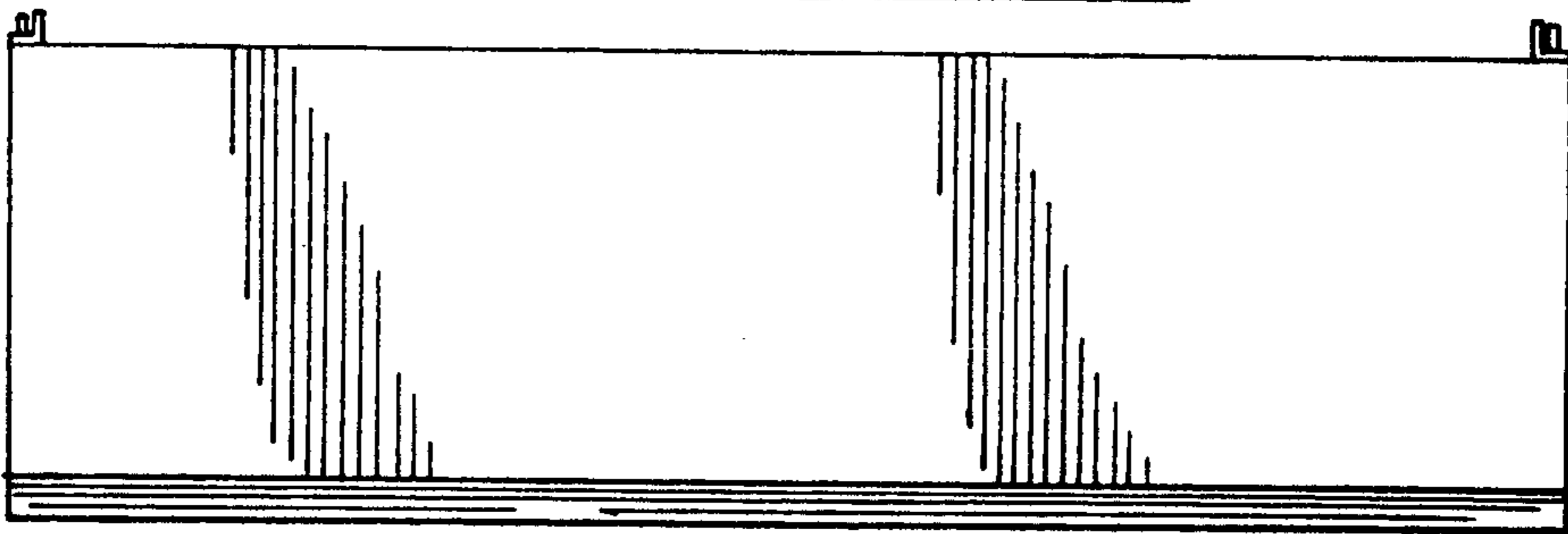


FIG. 7

