



US00D325300S

United States Patent [19]

Miklus, II

[11] Patent Number: Des. 325,300

[45] Date of Patent: ** Apr. 14, 1992

[54] SHOTGUN AND RIFLE HOLSTER

4,420,104 12/1983 DiIenno 224/250

[76] Inventor: Joe G. Miklus, II, 435 NW. 51st, Des Moines, Iowa 50313

Primary Examiner—Louis S. Zarfes
Assistant Examiner—M. N. Pandozzi
Attorney, Agent, or Firm—Zarley, McKee, Thomte, Voorhees & Sease

[**] Term: 14 Years

[21] Appl. No.: 500,852

[57] CLAIM

[22] Filed: Mar. 29, 1990

The ornamental design for a shotgun and rifle holster, as shown.

[52] U.S. Cl. D3/101; D3/100

[58] Field of Search D3/100, 101, 102, 103, D3/104, 105, 106; 224/913, 149, 192, 918, 224, 148, 242, 252, 229, 269, 904, 226, 240, 251, 253, 901, 222, 219, 221, 250, 267

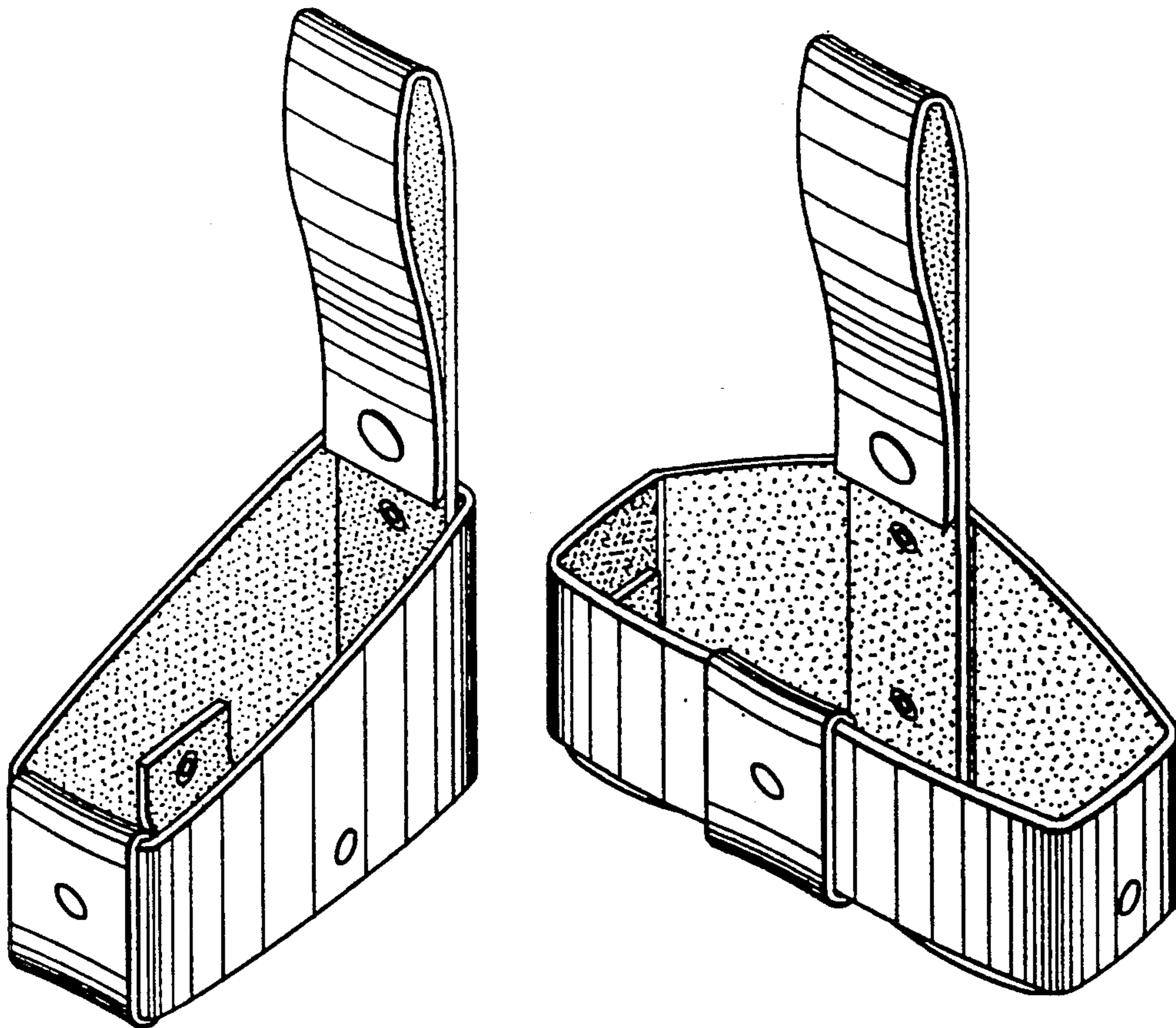
DESCRIPTION

[56] References Cited

U.S. PATENT DOCUMENTS

D. 161,571	1/1951	Dauenhauer	D3/105
D. 231,682	5/1974	Sacks	D3/36
D. 277,810	3/1985	Pickens	D3/104 X
D. 281,830	12/1985	Hengesbach	D3/106
D. 293,857	1/1988	Stout et al.	D3/106
D. 300,989	5/1989	Kovach	D3/106 X
1,281,299	10/1918	Crosson	.	
2,588,467	3/1952	Barney	224/253
3,379,349	4/1968	Hier	224/149
3,422,497	1/1969	Lyons	24/252
3,589,574	6/1971	Margurger	224/253
3,869,074	3/1975	Roach	224/253
4,363,433	12/1982	Jaques	224/253

FIG. 1 is a top, front, right perspective view of a shotgun and rifle holster, showing my new design; FIG. 2 is a front elevational view thereof; FIG. 3 is a rear elevational view thereof; FIG. 4 is a right side elevational view thereof; FIG. 5 is a left side elevational view thereof; FIG. 6 is a top plan view thereof; FIG. 7 is a bottom plan view thereof; FIG. 8 is an top, front, right perspective view of a shotgun and rifle holster showing a second embodiment of my new design; FIG. 9 is a front elevational view thereof; FIG. 10 is a rear elevational view thereof; FIG. 11 is a left side elevational view thereof; FIG. 12 is a right side elevational view thereof; FIG. 13 is a top plan view thereof; and, FIG. 14 is a bottom plan view thereof.



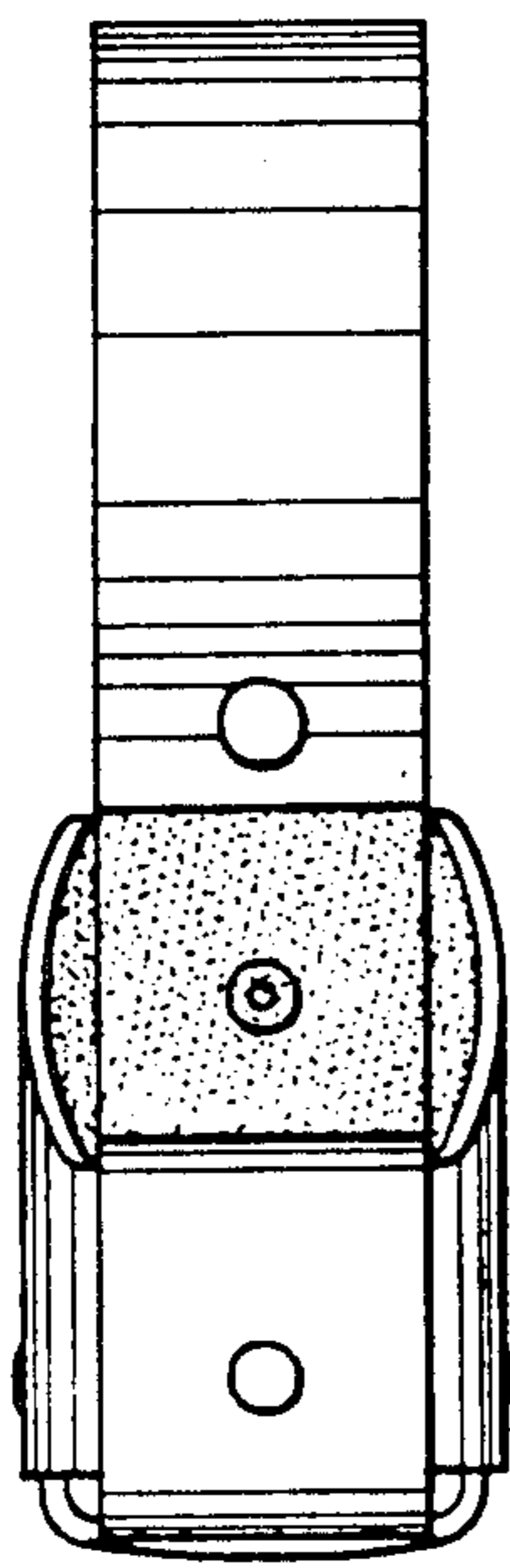


FIG. 2

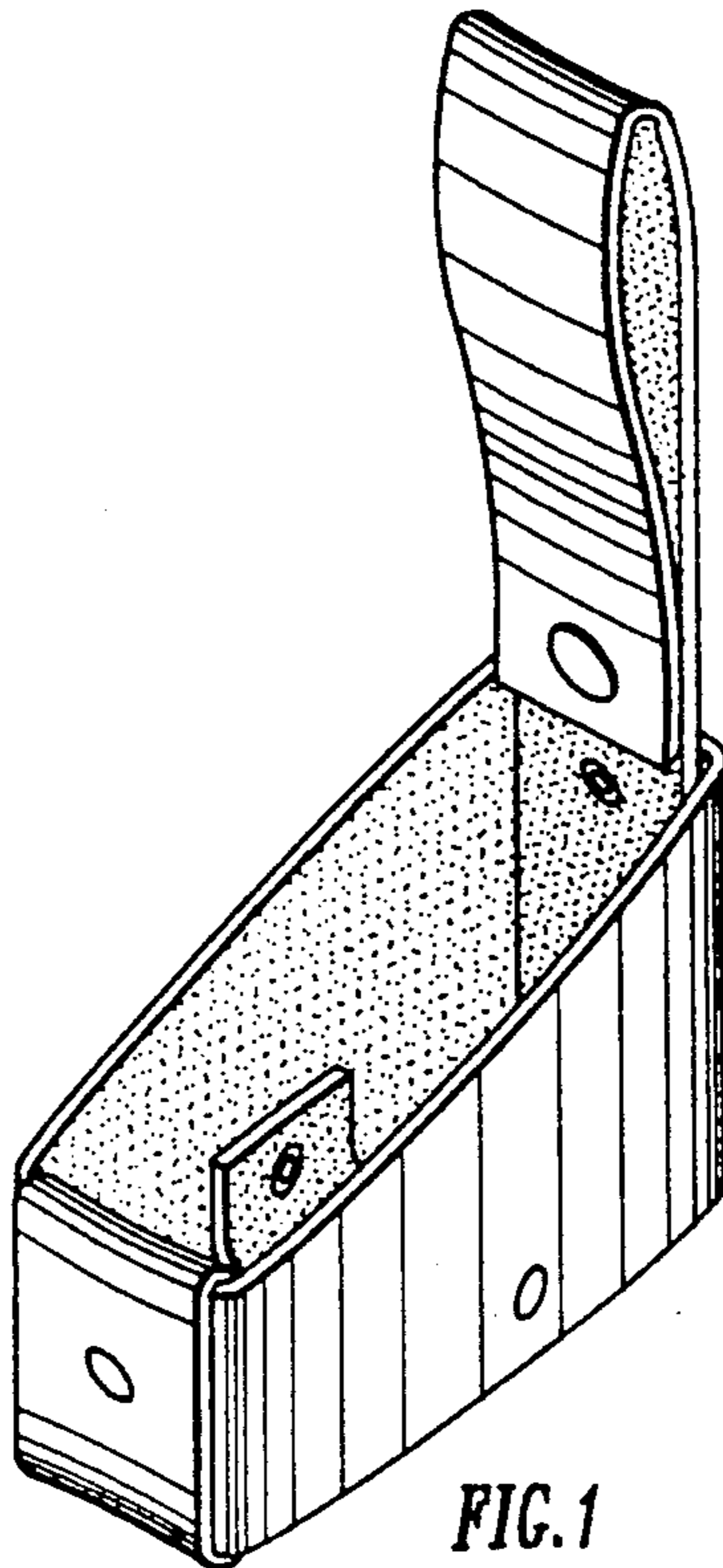


FIG. 1

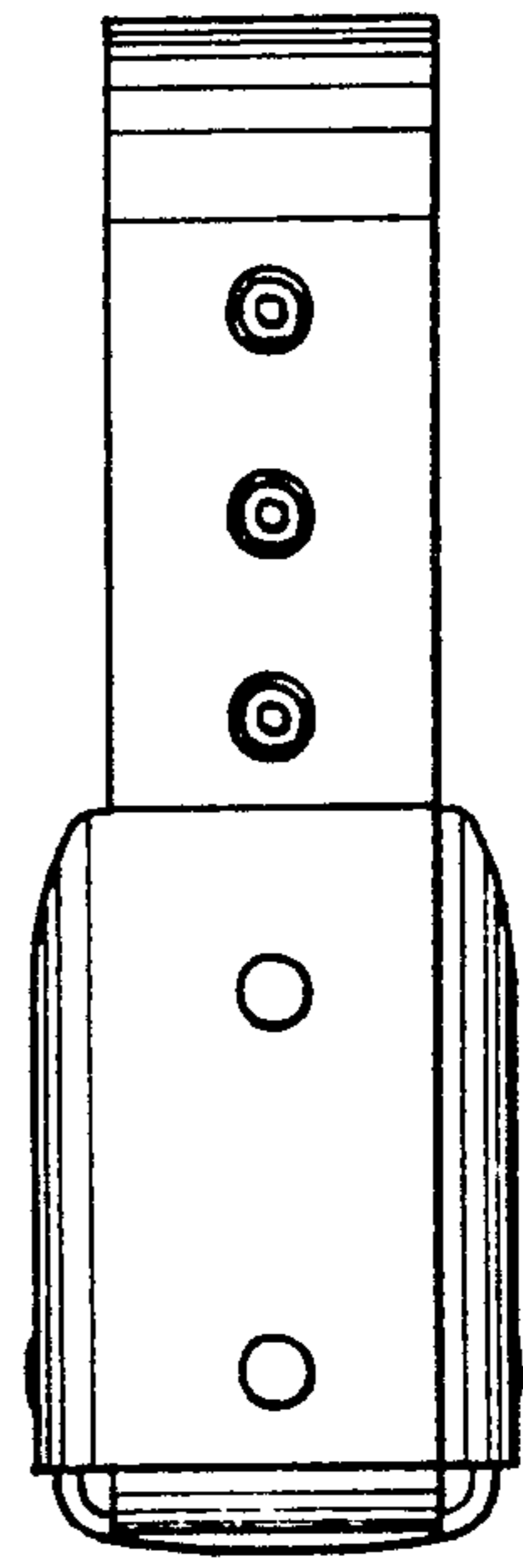


FIG. 3

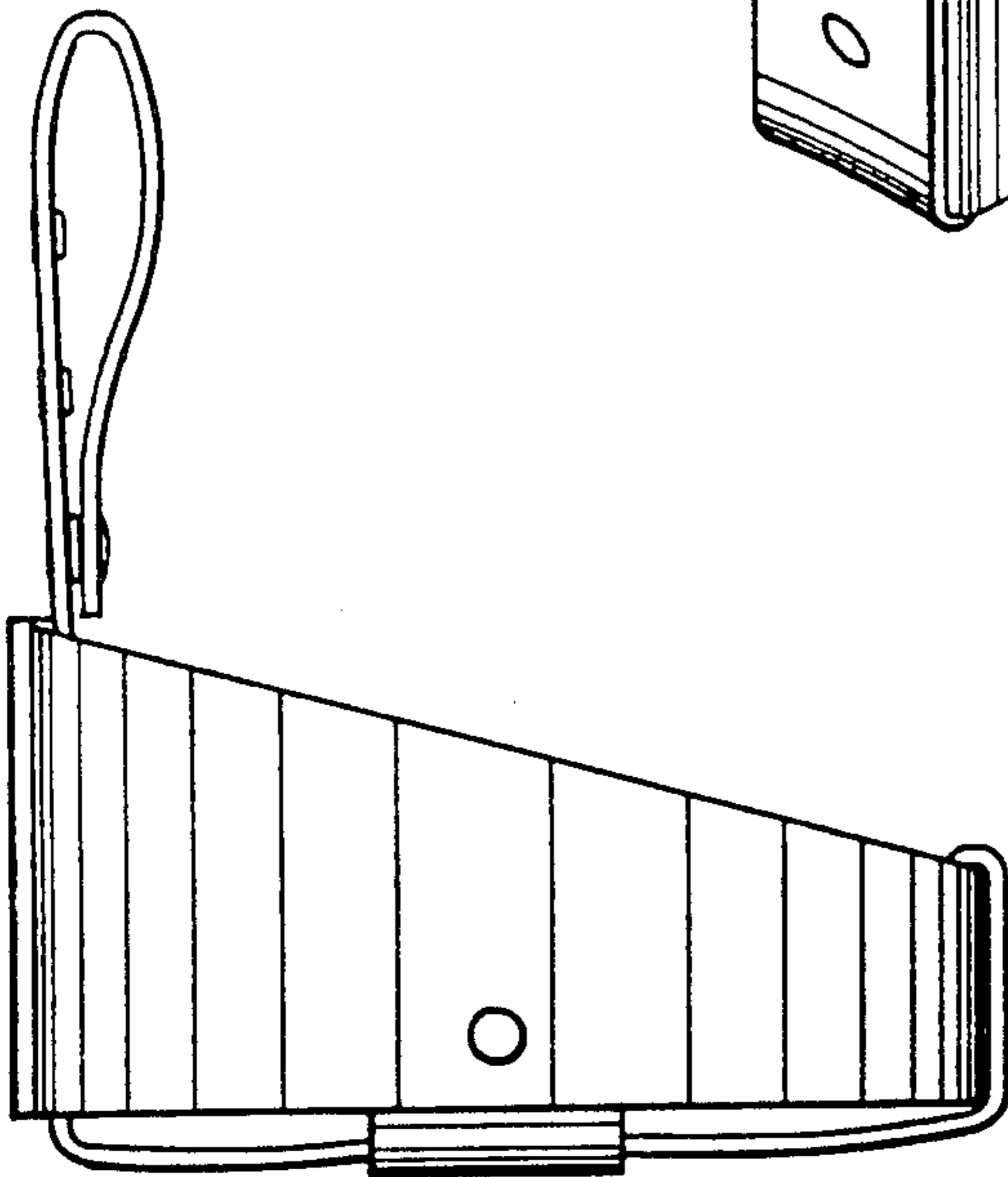


FIG. 5

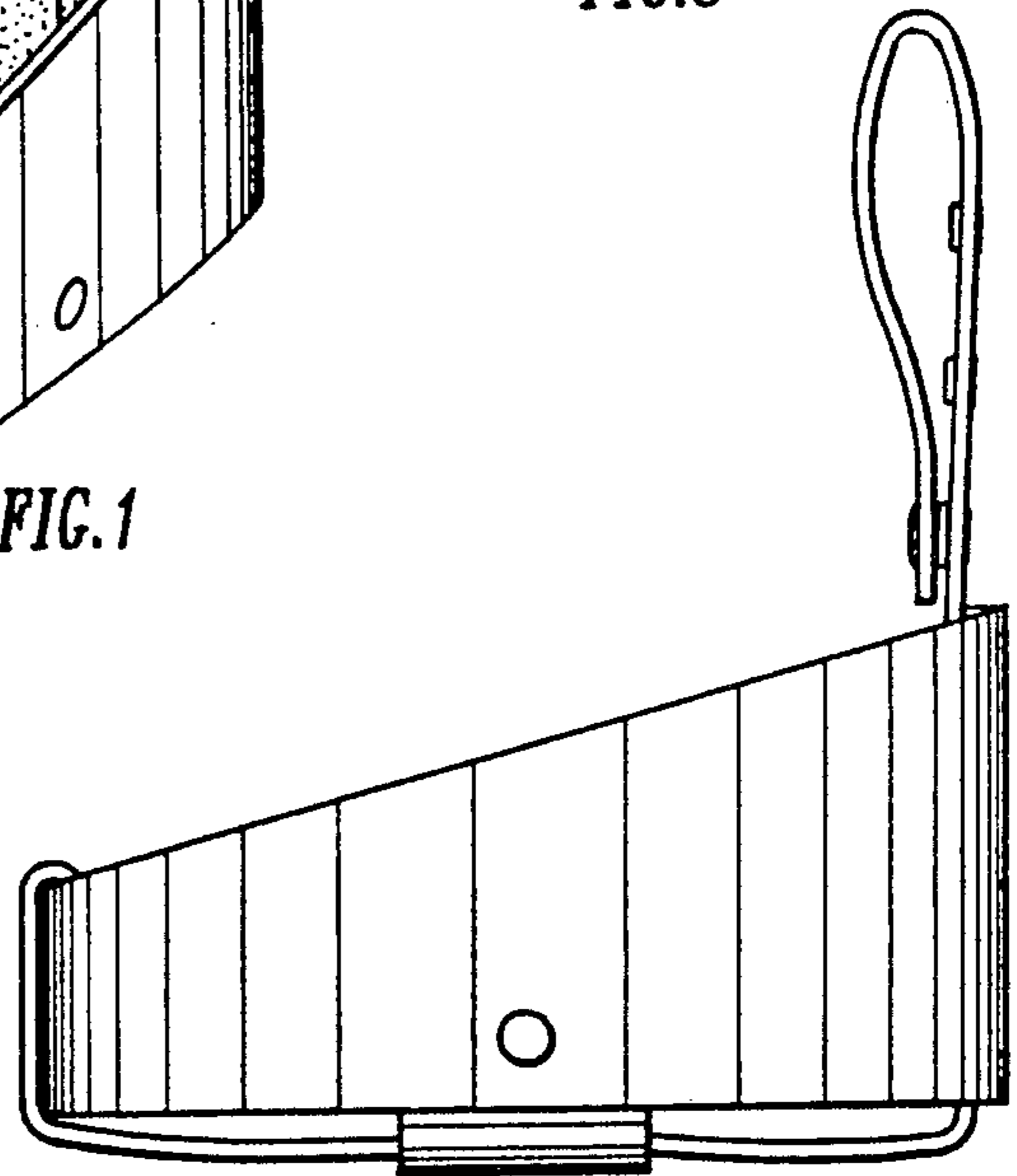


FIG. 4

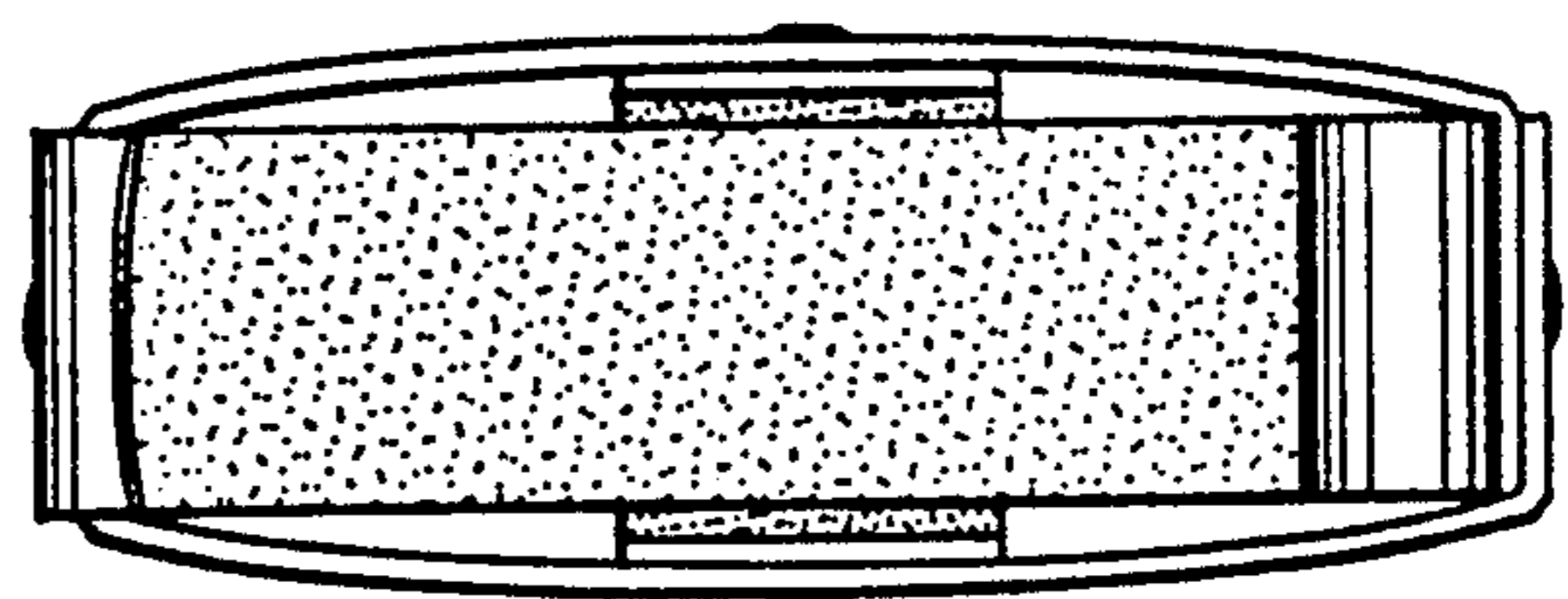


FIG. 6

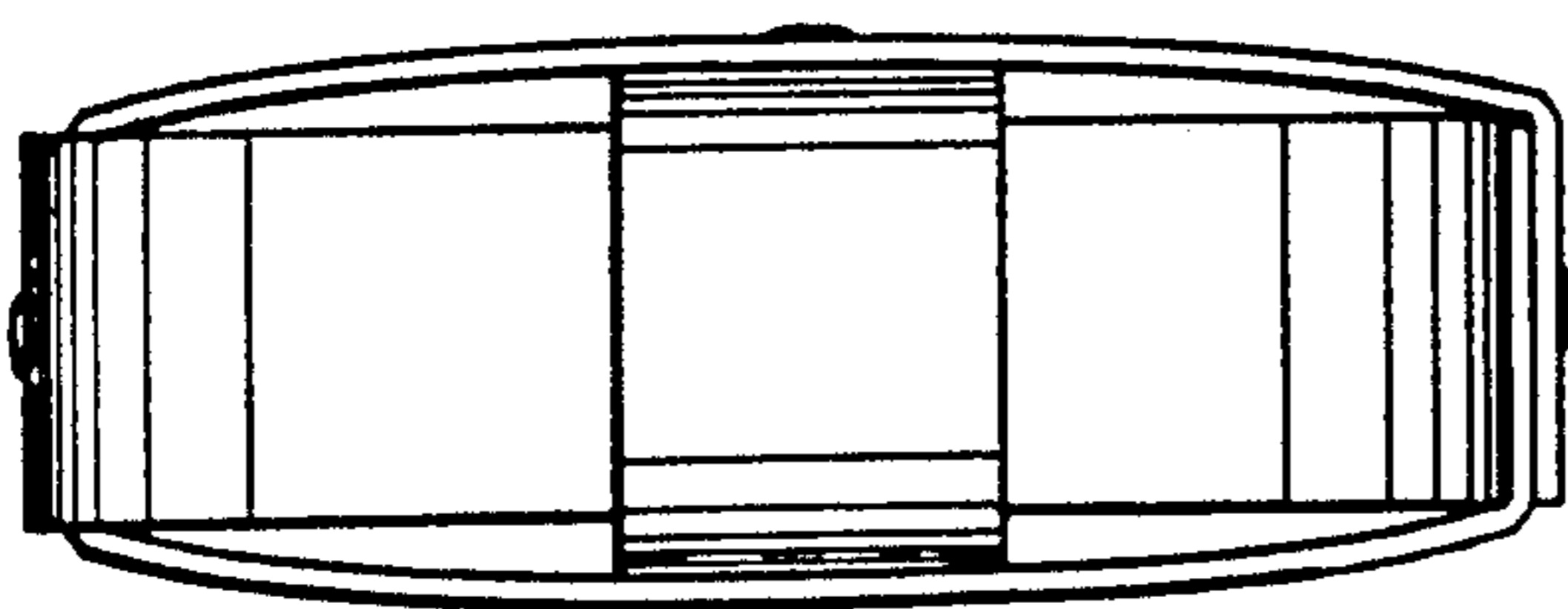


FIG. 7

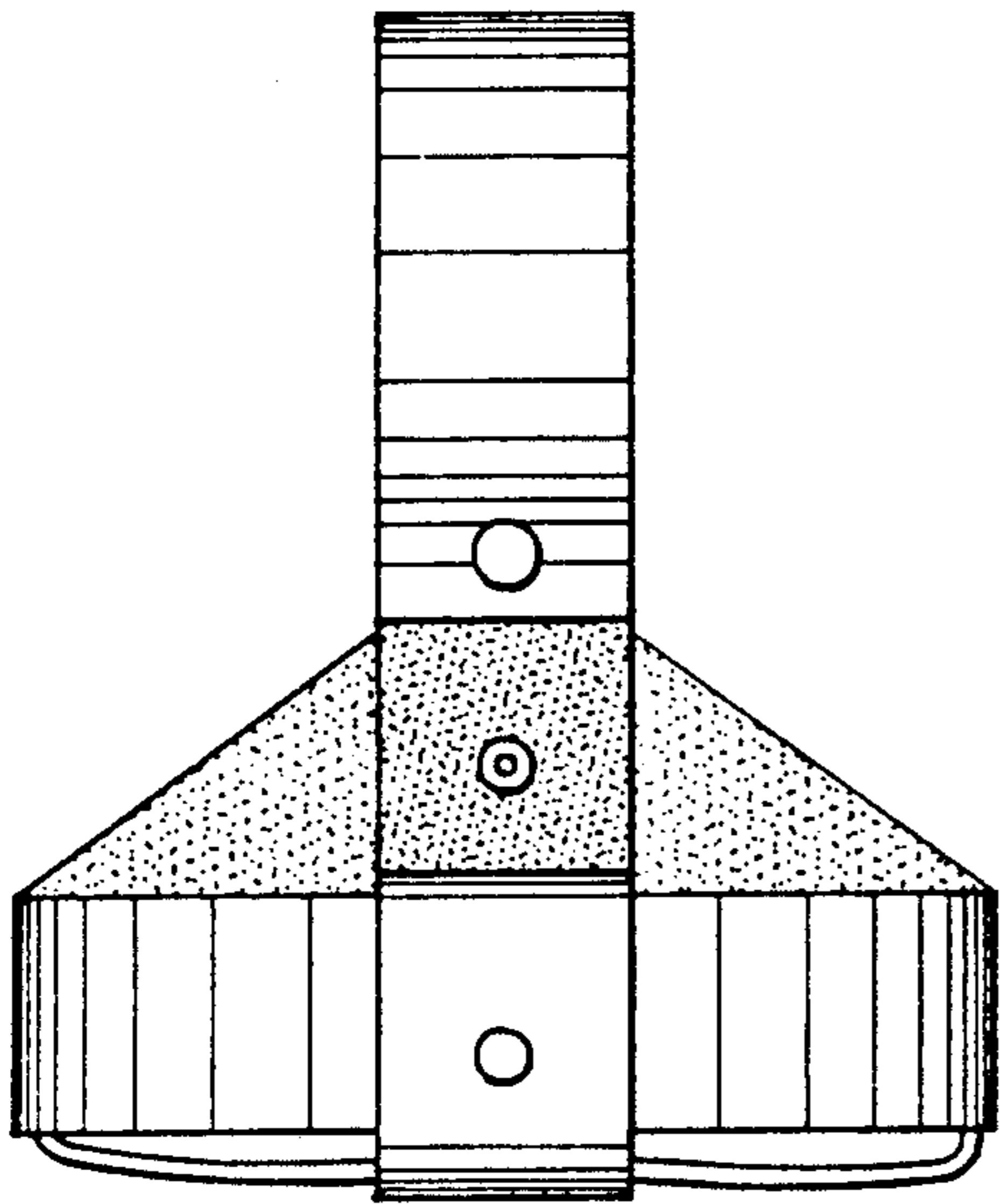


FIG. 9

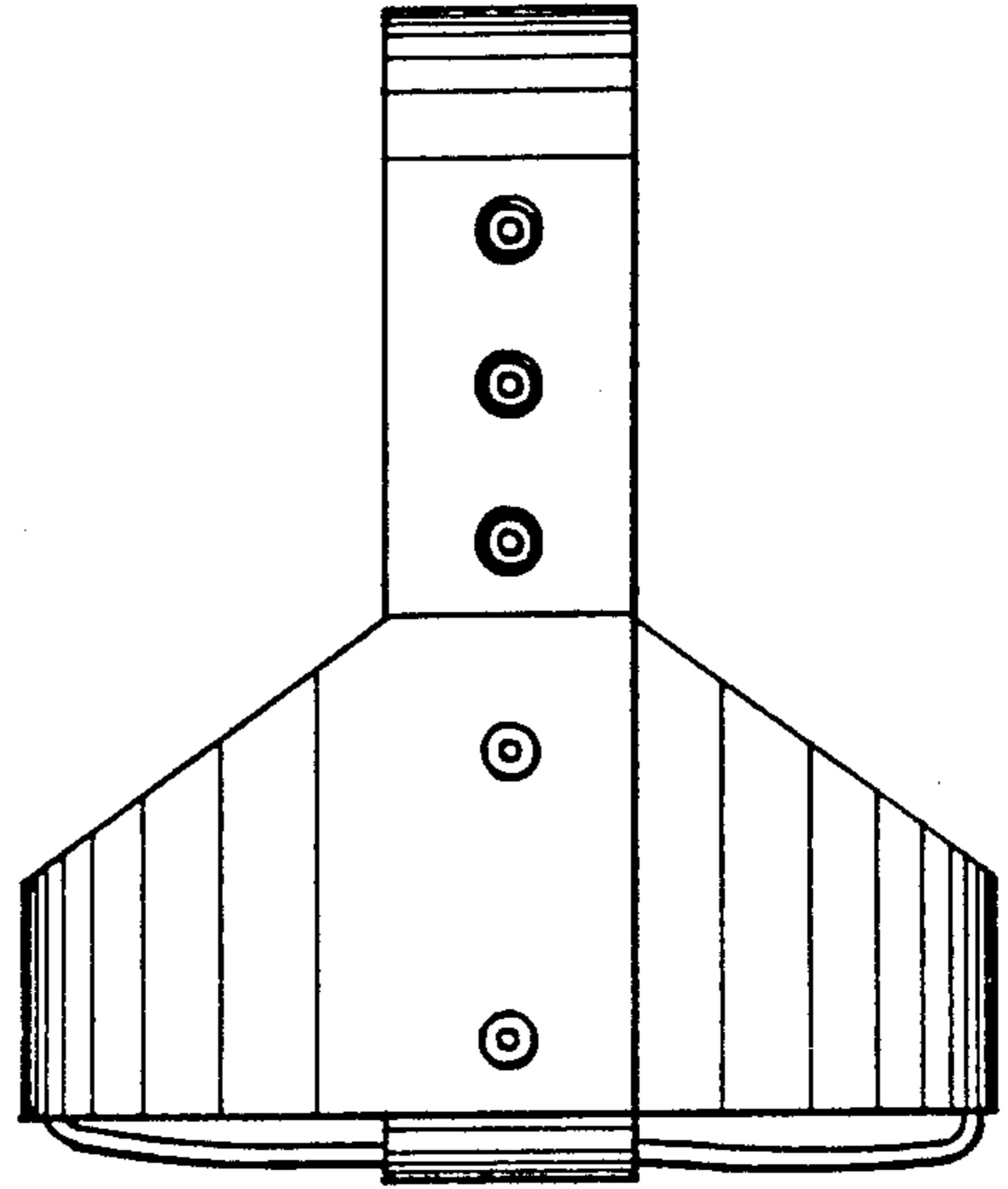


FIG. 10

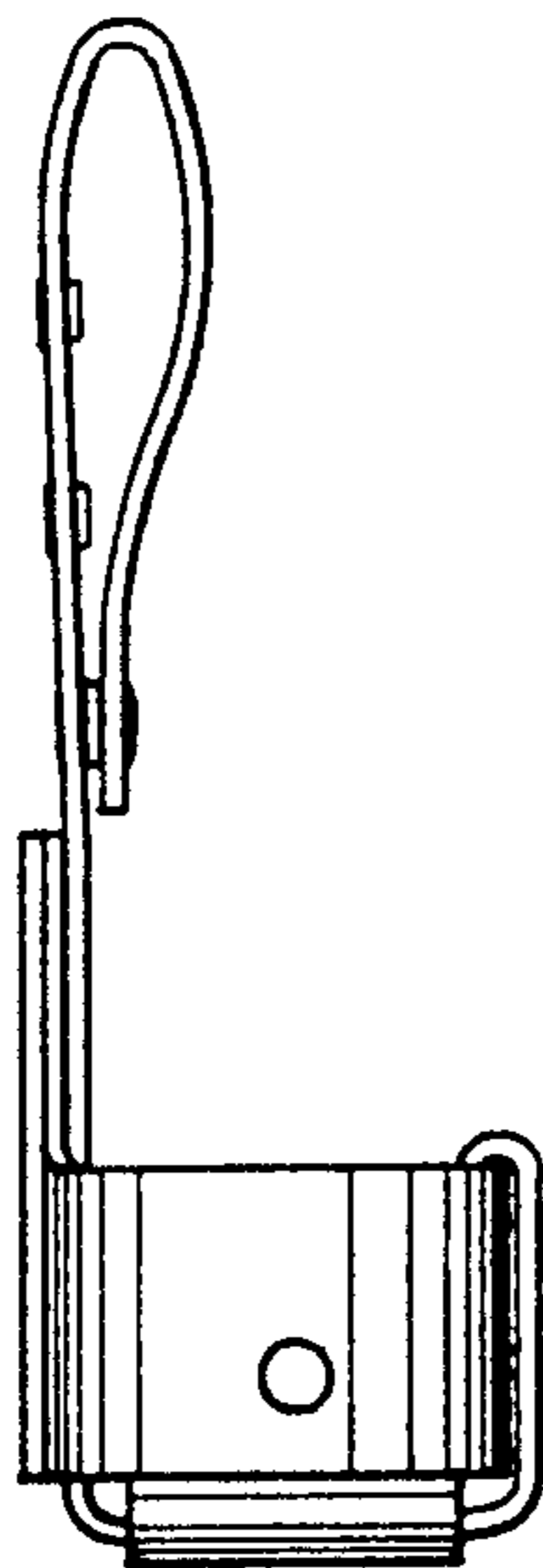


FIG. 11

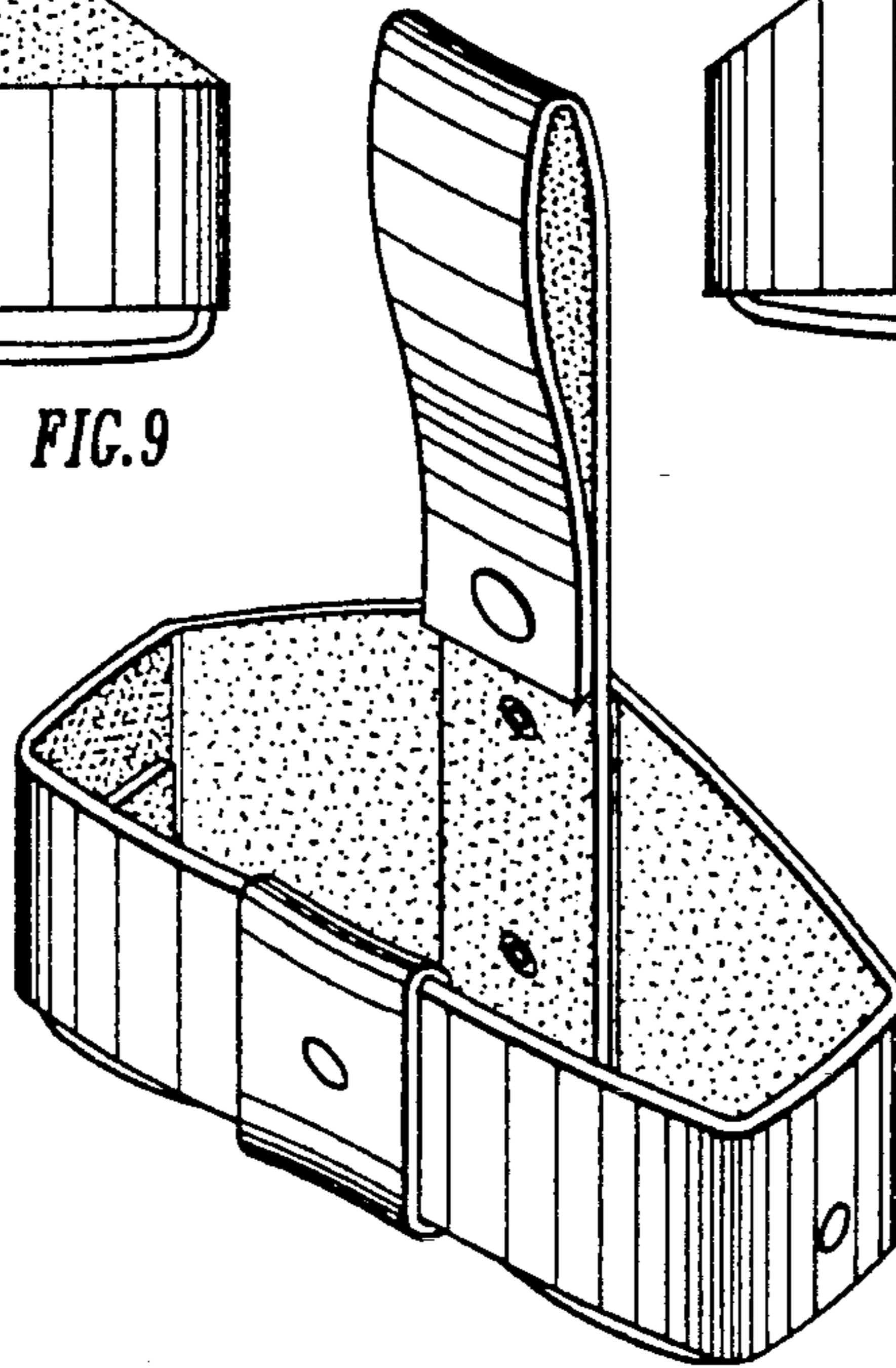


FIG. 8

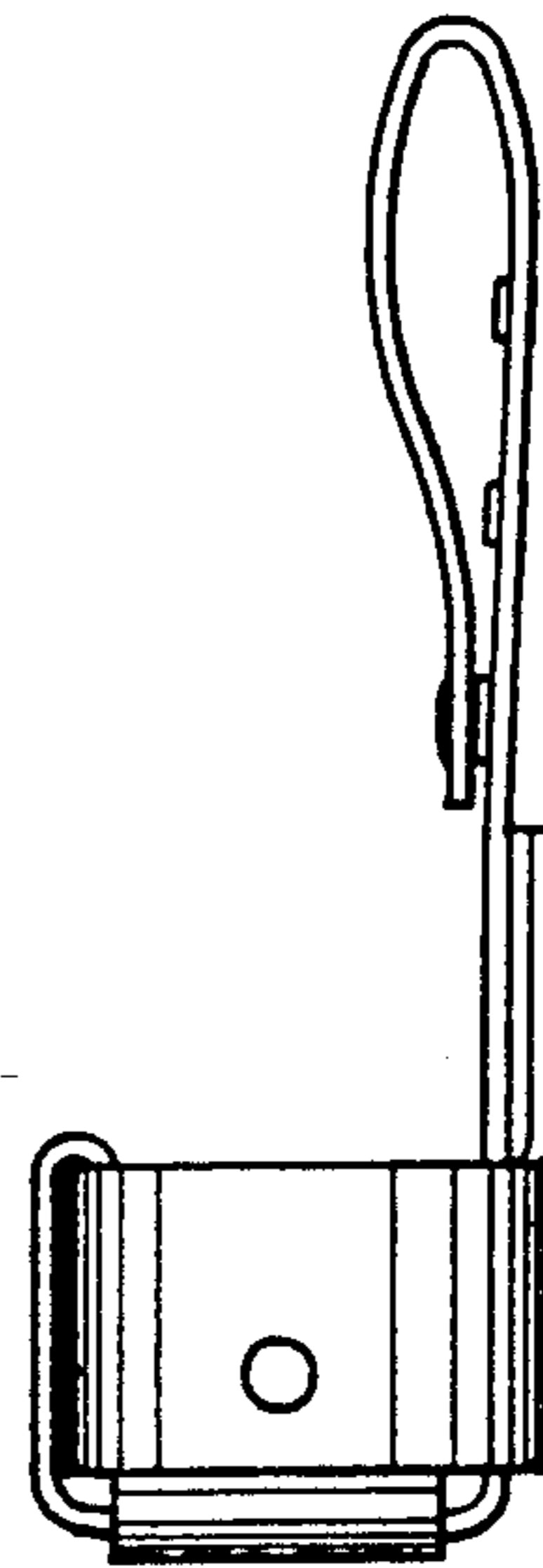


FIG. 12

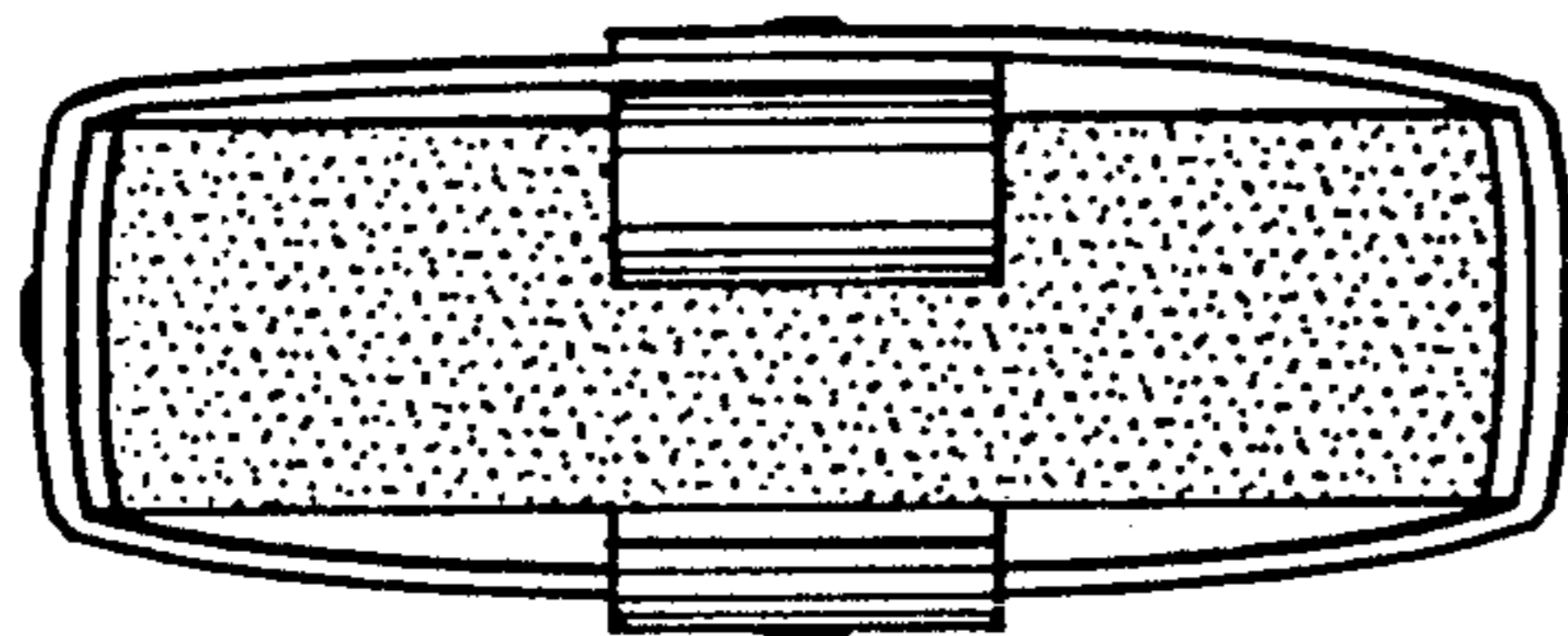


FIG. 13

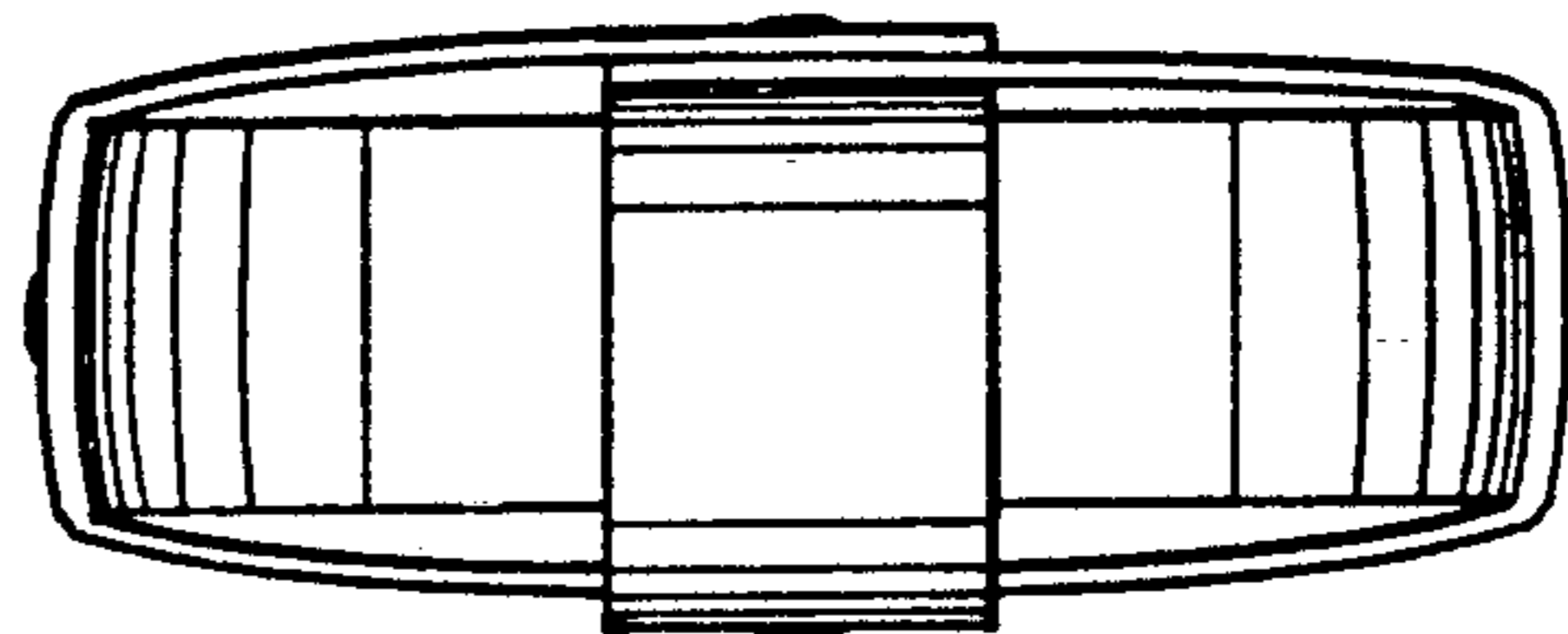


FIG. 14