



US00D325299S

United States Patent [19]

[11] Patent Number: **Des. 325,299**

Antonious

[45] Date of Patent: **** Apr. 14, 1992**

[54] **GOLF CLUB HOLDER INSERT FOR A GOLF BAG**

4,796,752 1/1989 Reimers 206/315.6 X
5,040,681 8/1991 Grusin 220/23.83 X

[76] Inventor: **Anthony J. Antonious, 205 E. Joppa Rd., Towson, Md. 21204**

Primary Examiner—A. Hugo Word
Assistant Examiner—M. N. Pandozzi
Attorney, Agent, or Firm—N. J. Aquilino

[**] Term: **14 Years**

[57] **CLAIM**

[21] Appl. No.: **537,280**

The ornamental design for a golf club holder insert for a golf bag, as shown and described.

[22] Filed: **Jun. 13, 1990**

[52] U.S. Cl. **D3/37; D3/36**

DESCRIPTION

[58] Field of Search **D3/36, 37, 66, 99; 206/315.6, 315.2; 220/506, 507, 23.83; 280/DIG. 6**

FIG. 1 is a top perspective view of a golf club holder insert for a golf bag showing my new design; FIG. 2 is a top plan view thereof; FIG. 3 is a right side elevational view thereof; FIG. 4 is a front elevational view thereof; FIG. 5 is a rear elevational view thereof; and, FIG. 6 is a bottom plan view thereof.

[56] **References Cited**

U.S. PATENT DOCUMENTS

1,454,639 5/1923 Haines 220/506 X
4,155,387 5/1977 Costa 206/315.6
4,667,820 5/1987 Solheim 206/315.6
4,753,344 6/1988 Antonious 206/315.6 X

The broken line showing of a portion of a golf bag in FIGS. 1, 3 and 4 is for illustrative purposes only and forms no part of the claimed design.

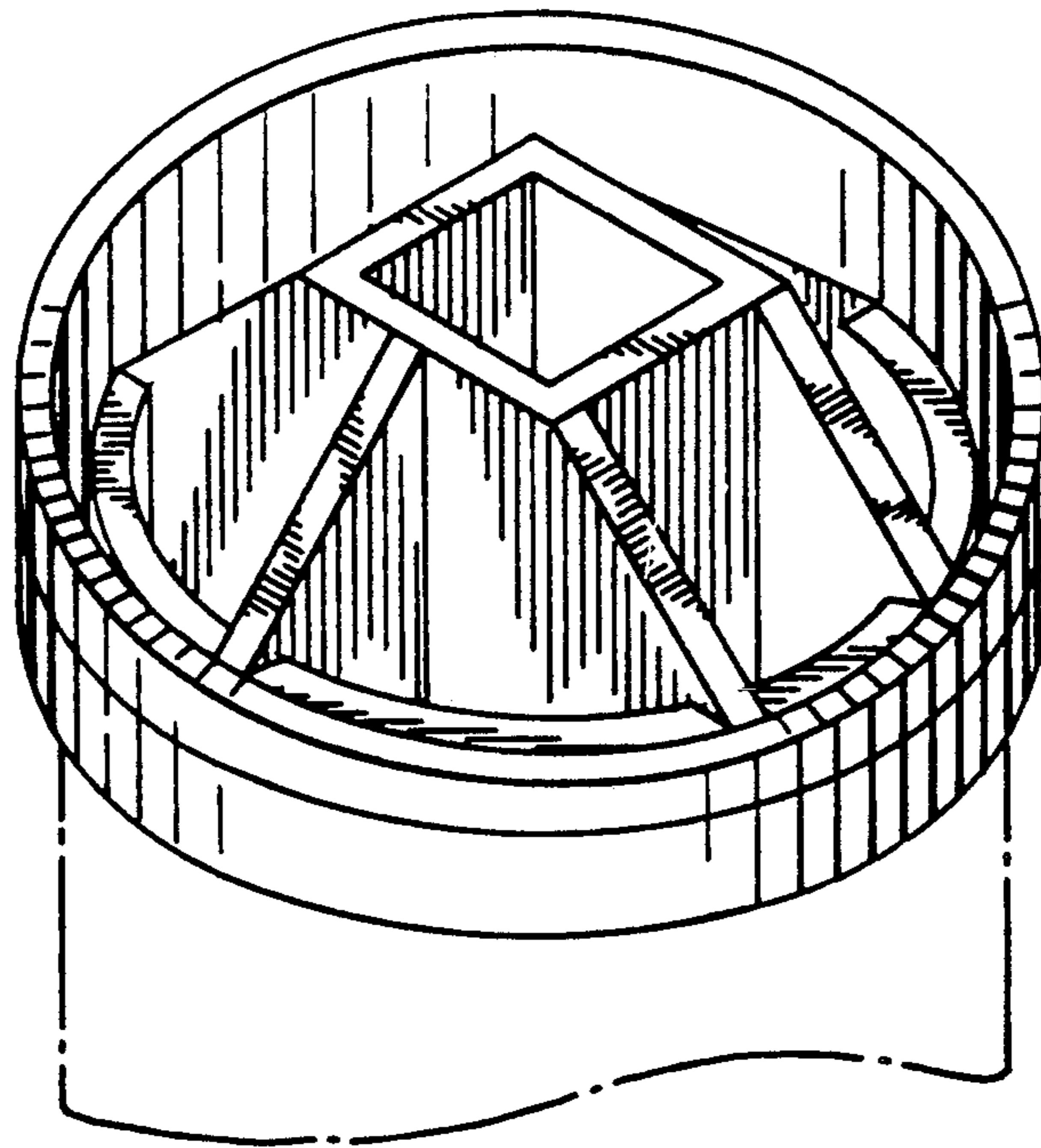


FIG. 1

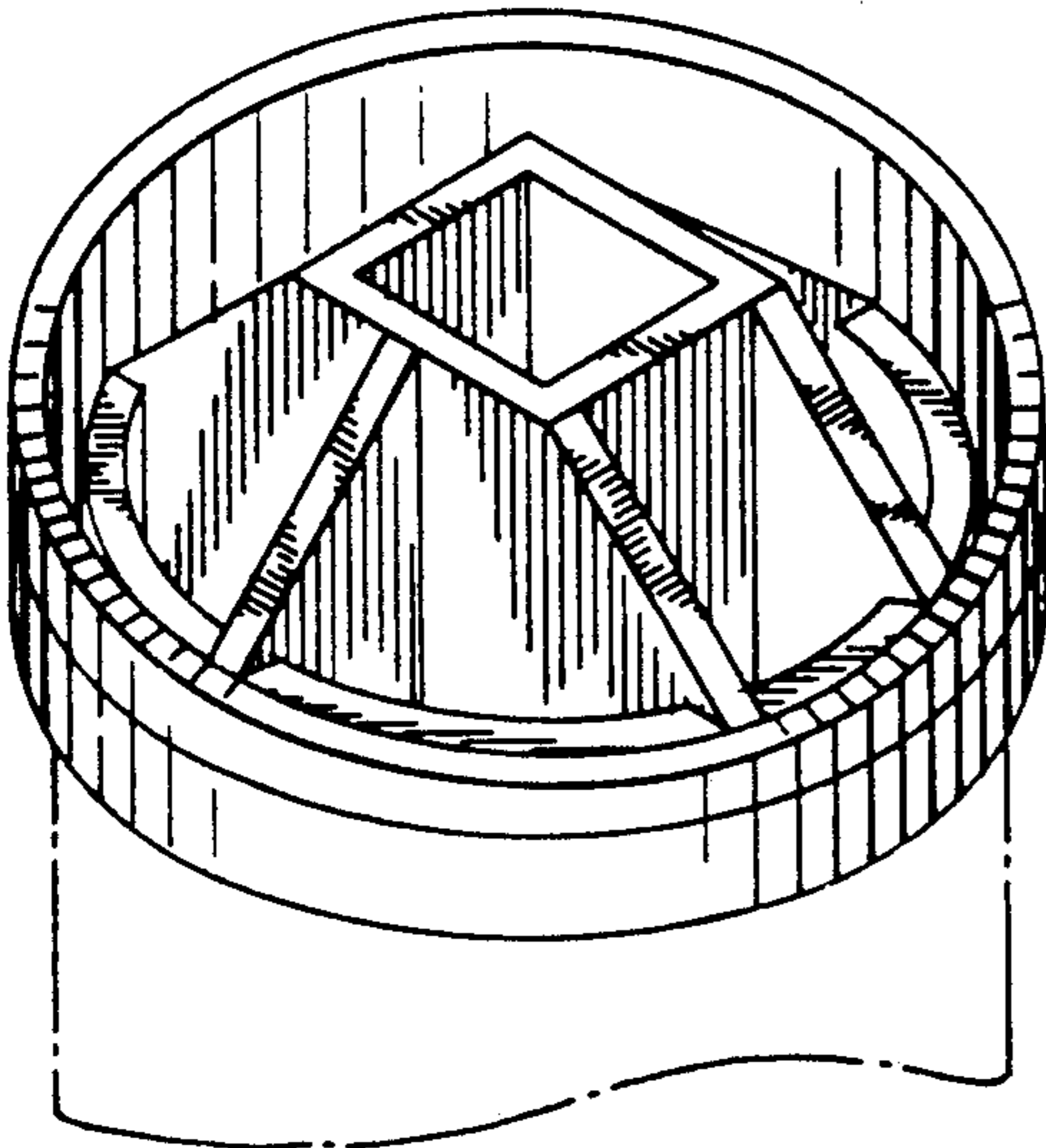


FIG. 2

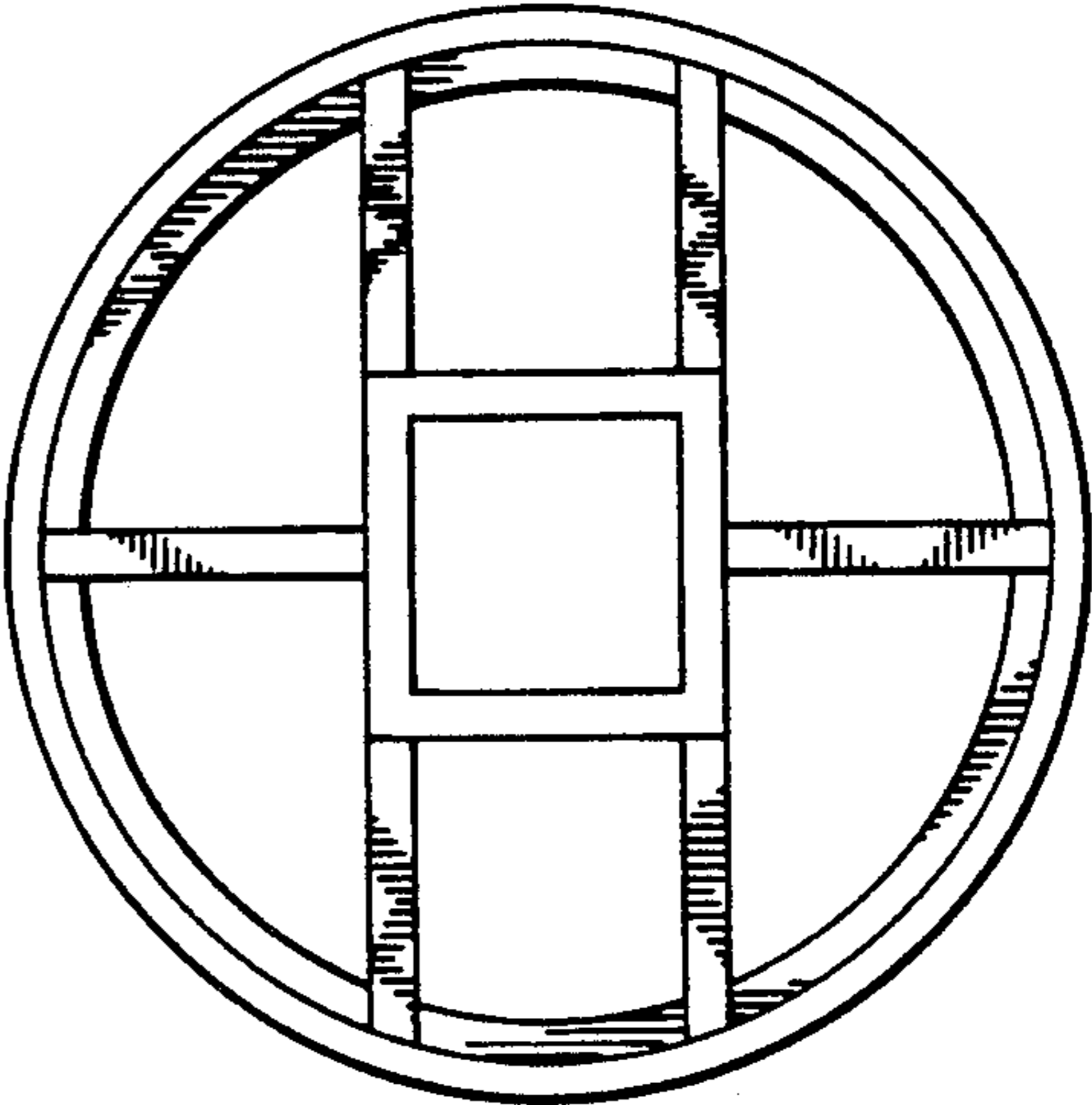


FIG. 3

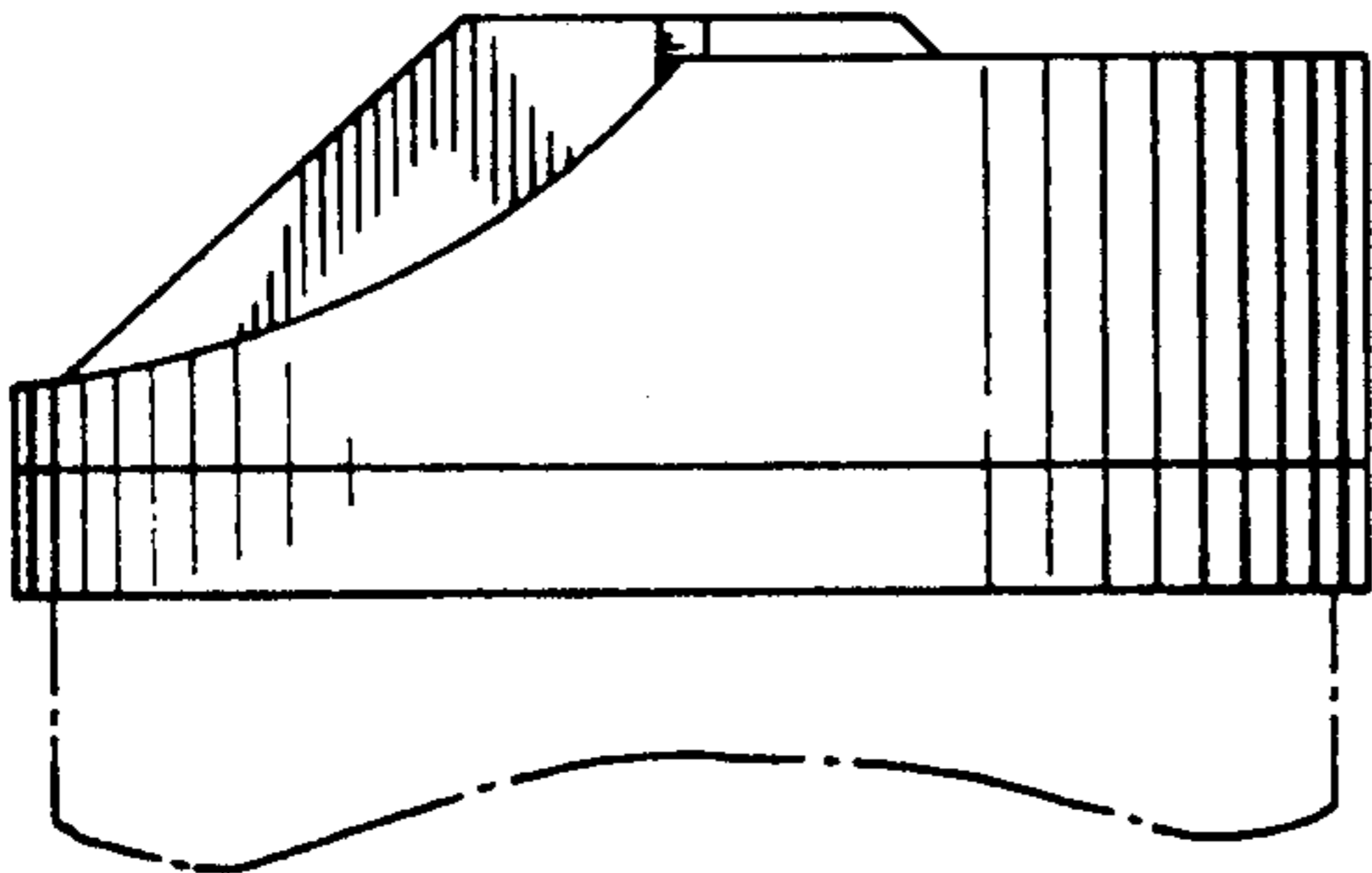


FIG. 4

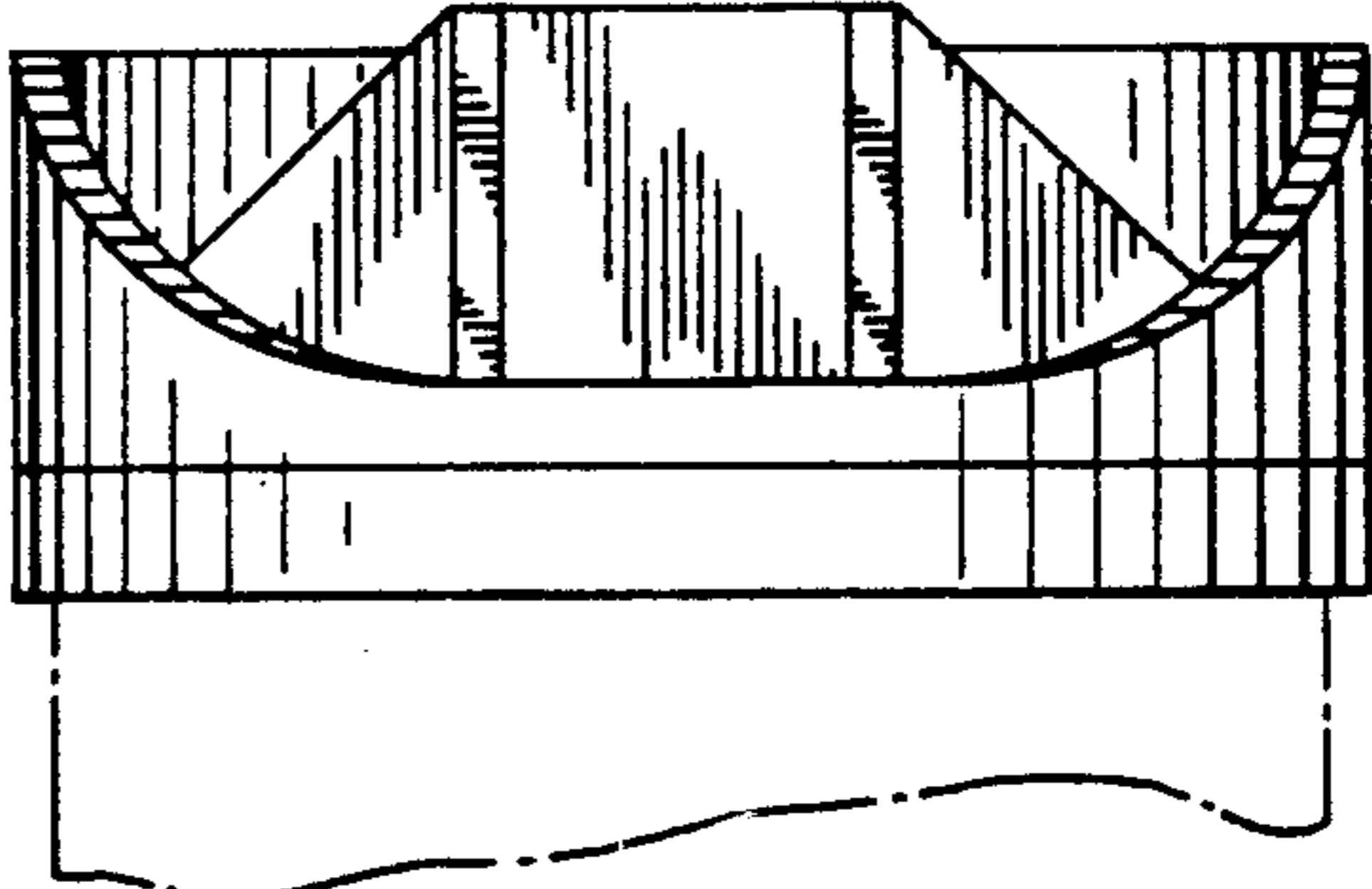


FIG. 5

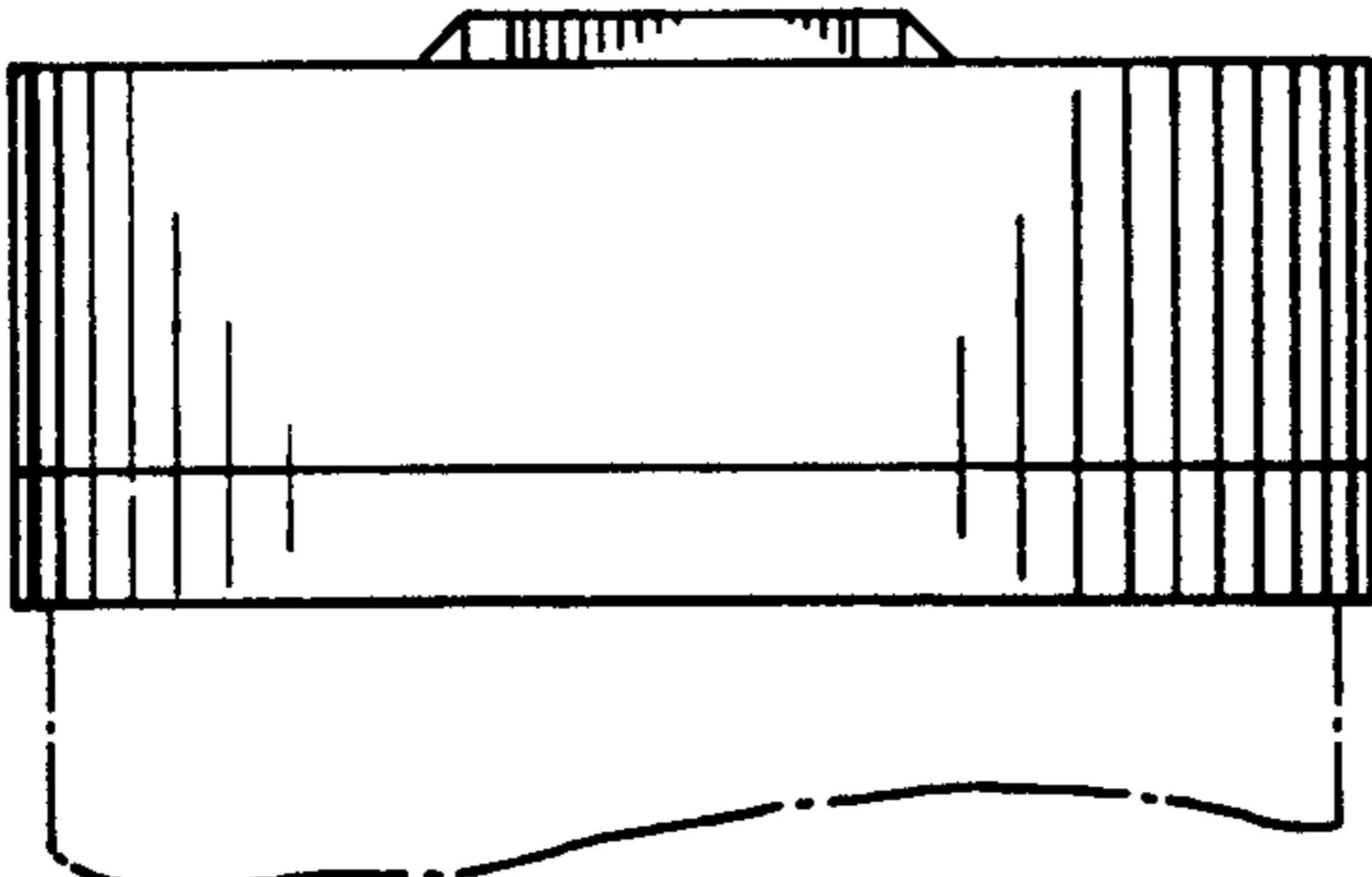


FIG. 6

