



US00D325298S

United States Patent [19]

[11] Patent Number: **Des. 325,298**

DiPietro et al.

[45] Date of Patent: **** Apr. 14, 1992**

[54] **ORGANIZER DRAWER FOR AUDIO CASSETTES, DISCS, OR THE LIKE TO BE USED IN AN AUTOMOBILE**

4,440,458	4/1984	Berkman	312/10
4,518,084	5/1985	Berkman	D3/35
4,650,072	3/1987	Ackeret	206/387
4,756,459	7/1988	Hardman	206/387
4,776,623	10/1988	Manning	206/387
4,960,205	10/1990	Wang	206/387

[76] Inventors: **Tony DiPietro; Raffaele DiPietro**, both of 5267 Paisley, St. Leonard, Quebec, Canada, H1S-1V4

Primary Examiner—James R. Largen
Assistant Examiner—Celia A. Murphy
Attorney, Agent, or Firm—Terry M. Gernstein

[**] Term: **14 Years**

[21] Appl. No.: **447,248**

[57] CLAIM

[22] Filed: **Dec. 7, 1989**

[52] U.S. Cl. **D3/35**

The ornamental design for an organizer drawer for audio cassettes, discs, or the like to be used in an automobile, as shown and described.

[58] Field of Search D3/30.1, 35, 40; D6/407, 408, 432, 420, 467, 473, 476, 513, 553, 559, 561, 567, 569, 570, 571; D7/616; D19/75, 90; 211/10, 40, 44, 94.5, 134; 206/387, 307, 309, 310; 312/10, 12, 128

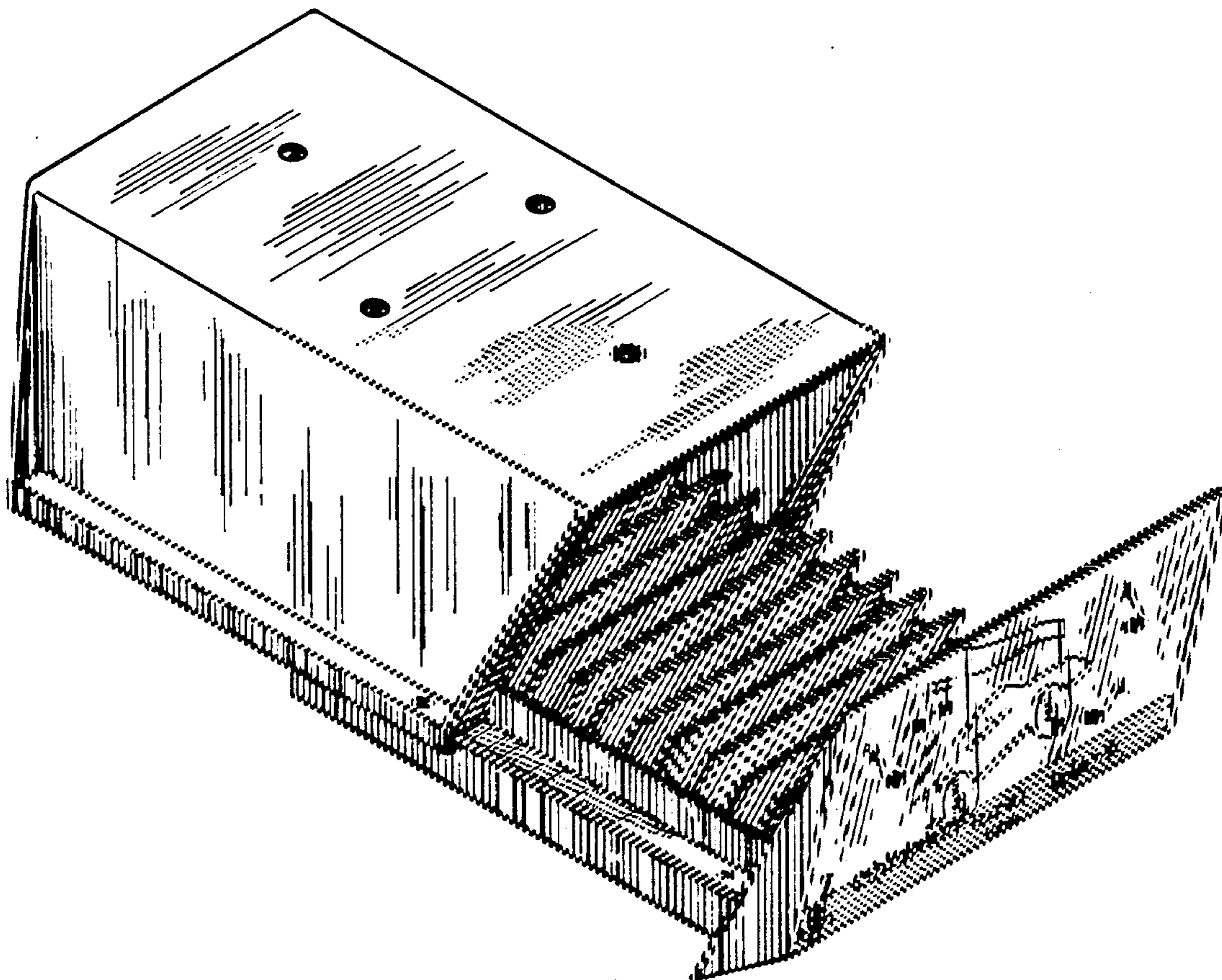
DESCRIPTION

[56] References Cited

U.S. PATENT DOCUMENTS

D. 171,219	12/1953	Mills	D3/35
D. 199,423	10/1964	Probst	D6/467
D. 212,192	9/1968	Adell	D6/569
D. 214,978	8/1969	Ritz, Jr.	D3/35
D. 215,307	9/1969	Huck	D6/432
D. 247,646	3/1978	Woodhall	D3/35
D. 263,100	2/1982	Thompson	D6/432
D. 287,907	1/1987	Yu	D3/35

FIG. 1 is a perspective view of an organizer drawer for audio cassettes, discs, or the like to be used in an automobile showing our new design;
FIG. 2 is a left side elevational view thereof, the right side being a mirror image;
FIG. 3 is a front elevational view thereof, the rear being plain and unornamented;
FIG. 4 is a perspective view of an alternate embodiment of the design shown in FIG. 1;
FIG. 5 is a left side elevational view of FIG. 4;
FIG. 6 is a front elevational view of FIG. 4; and,
FIG. 7 is a bottom plan view of FIG. 4.



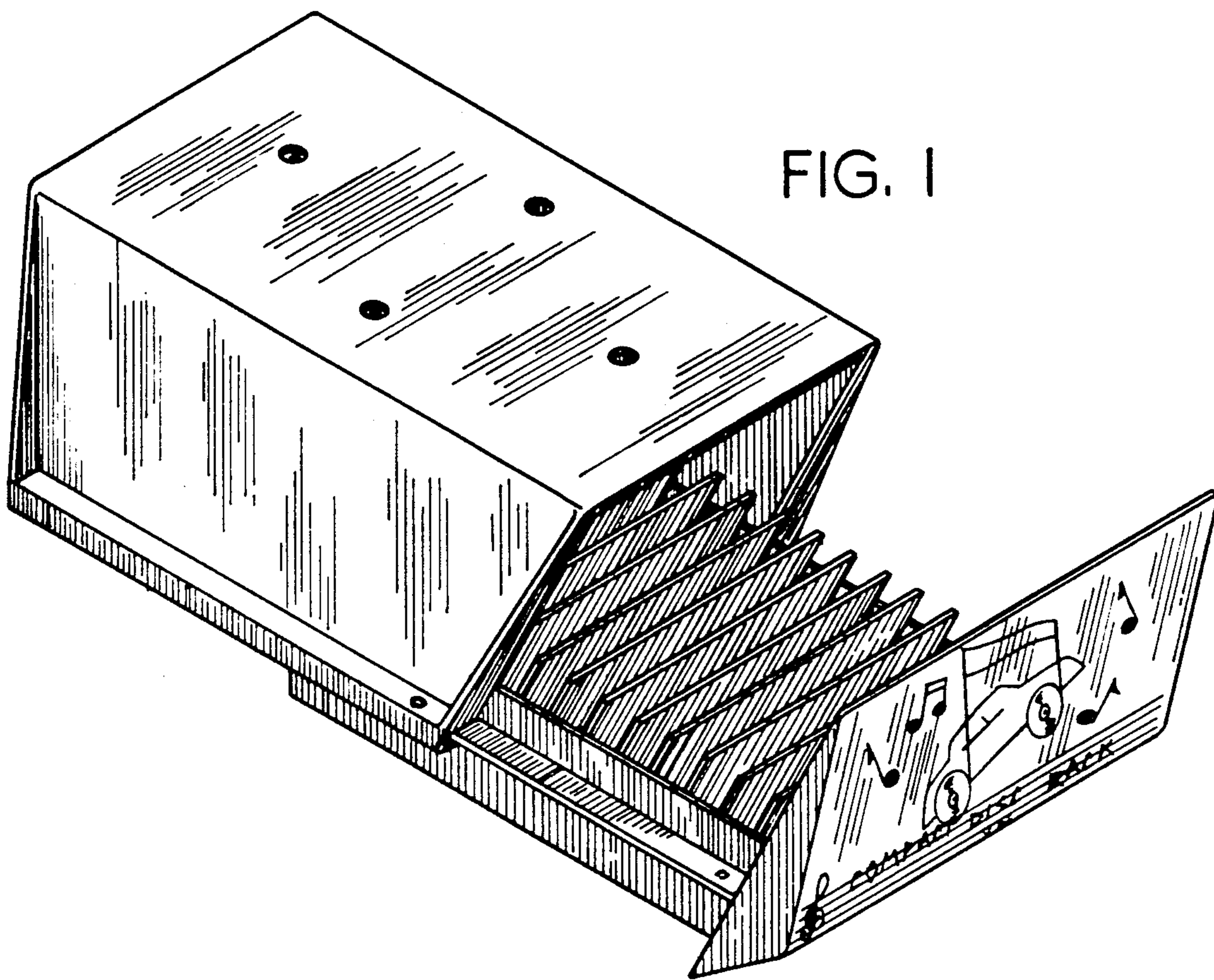


FIG. 1

FIG. 2

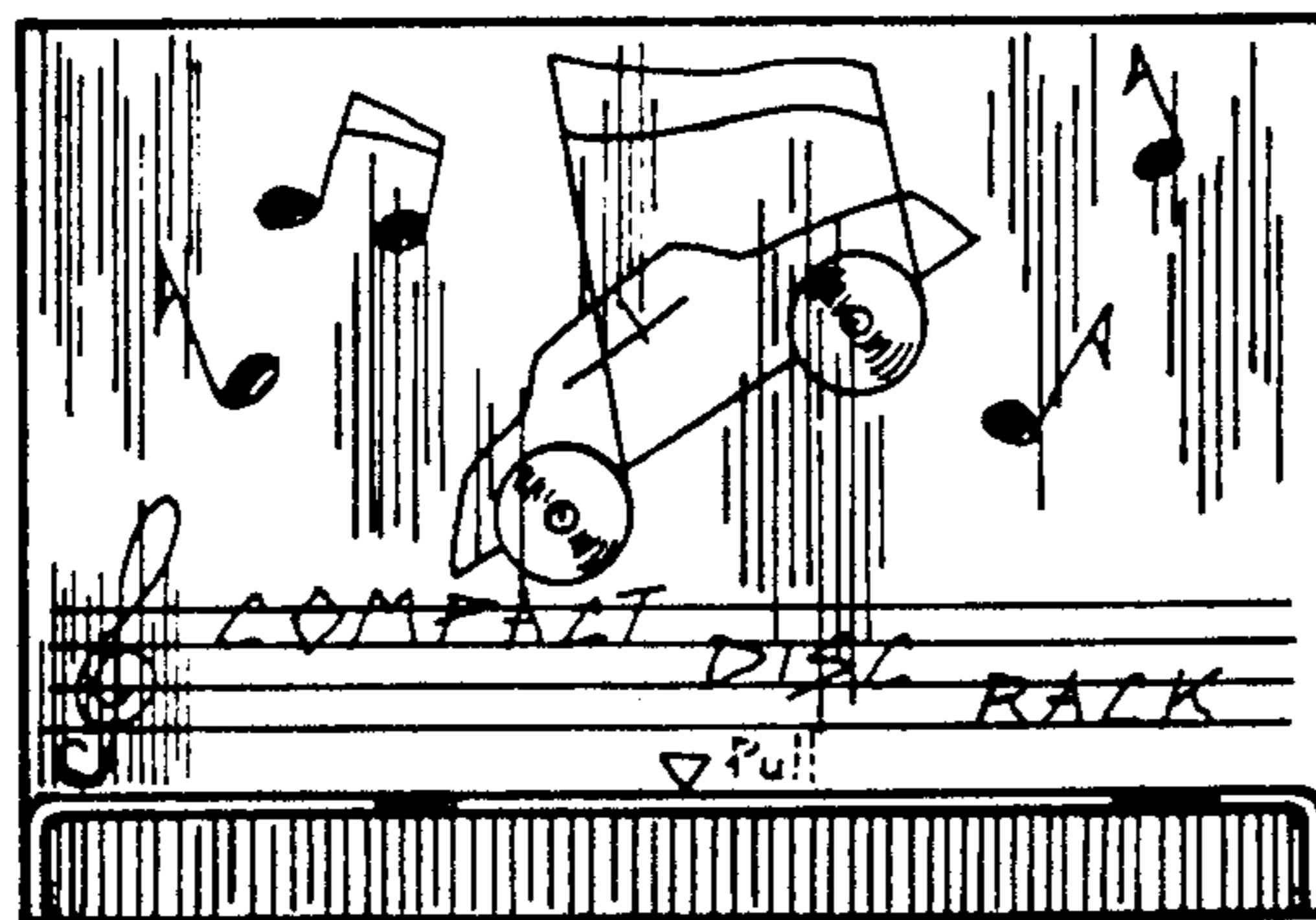
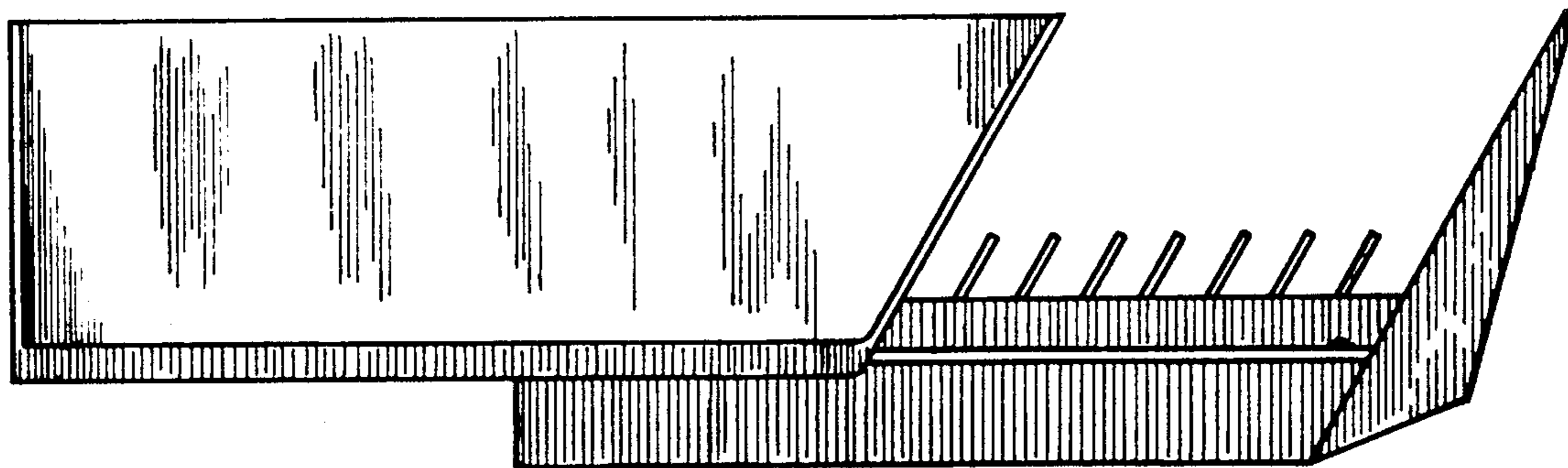


FIG. 3

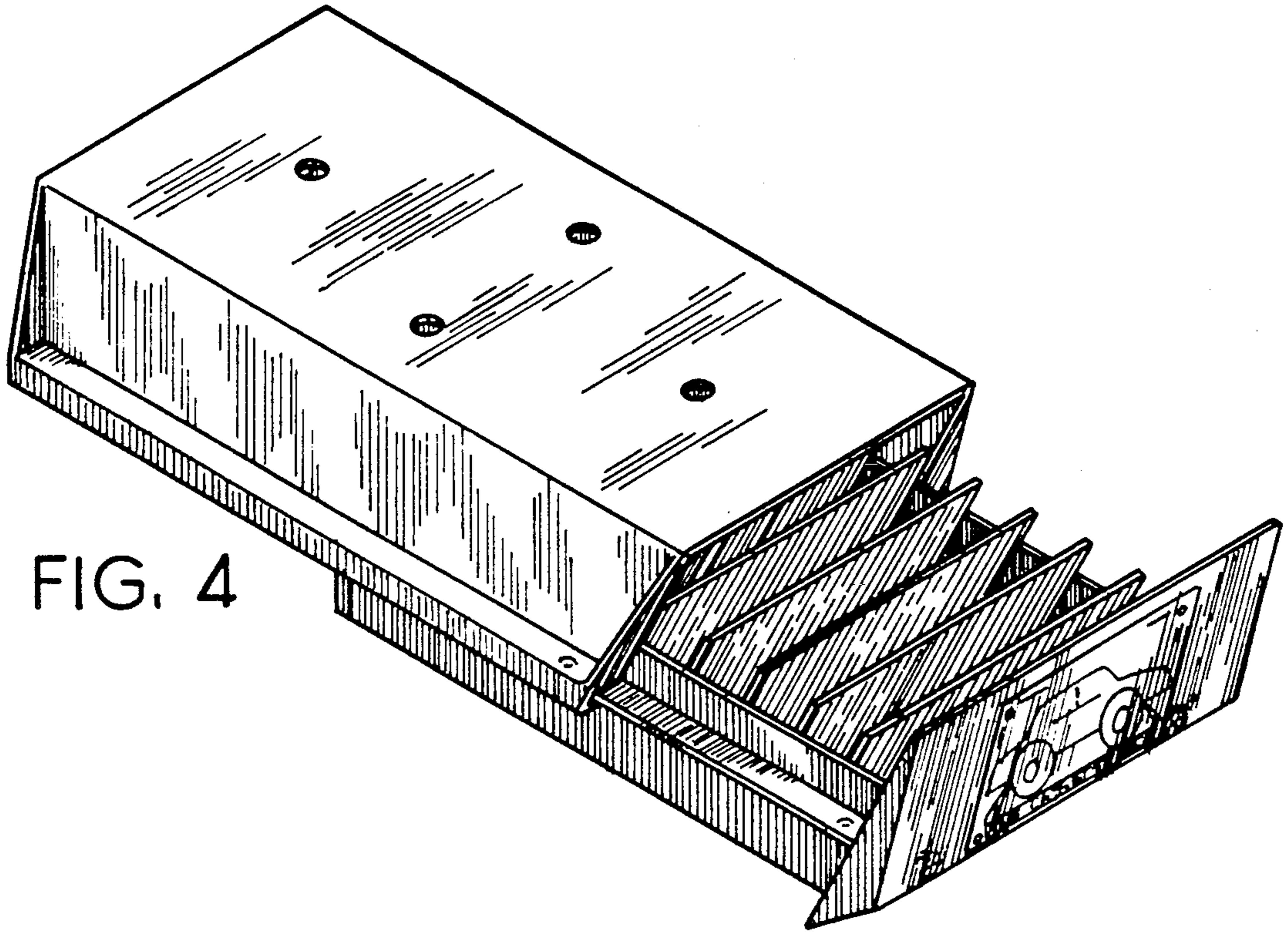


FIG. 4

FIG. 5

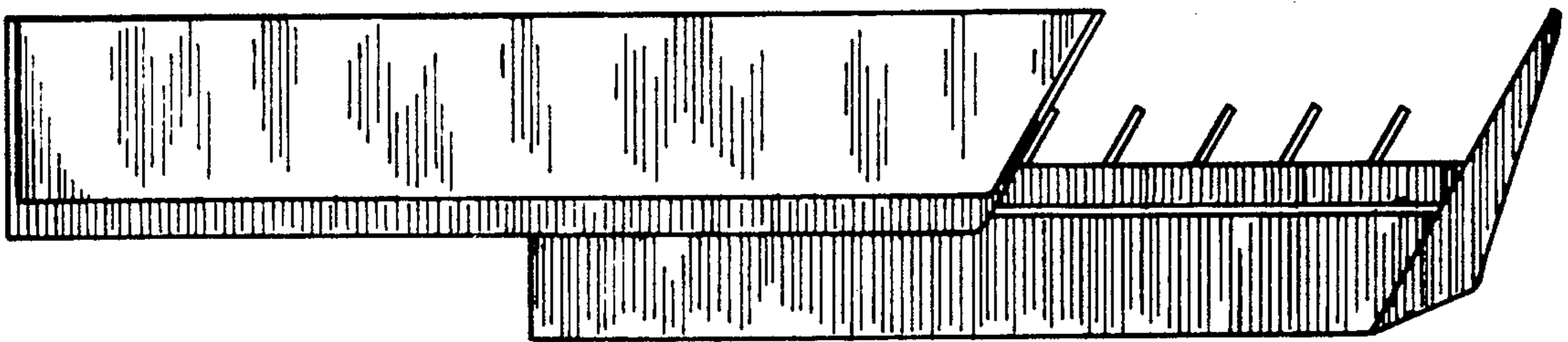


FIG. 6

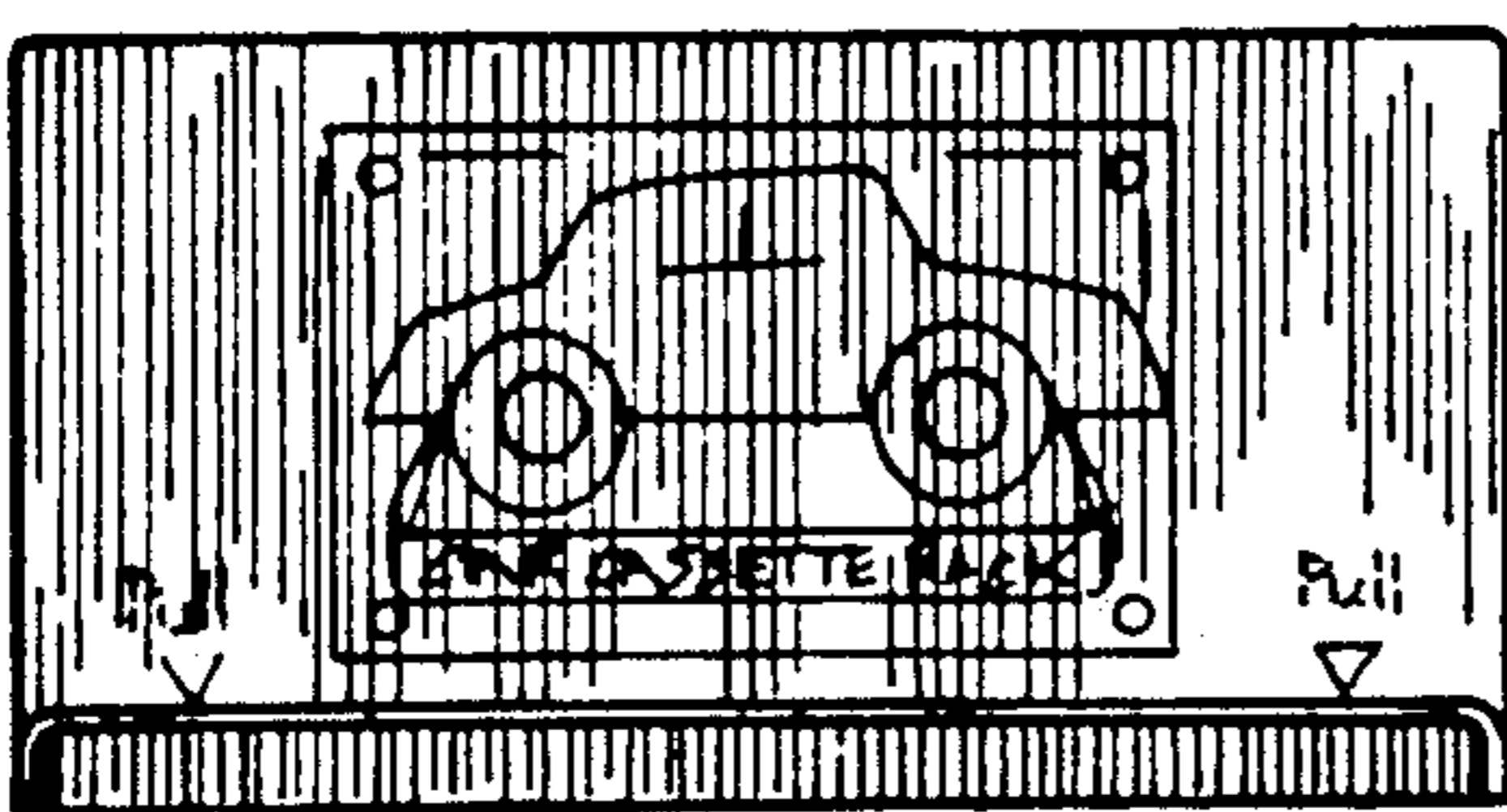
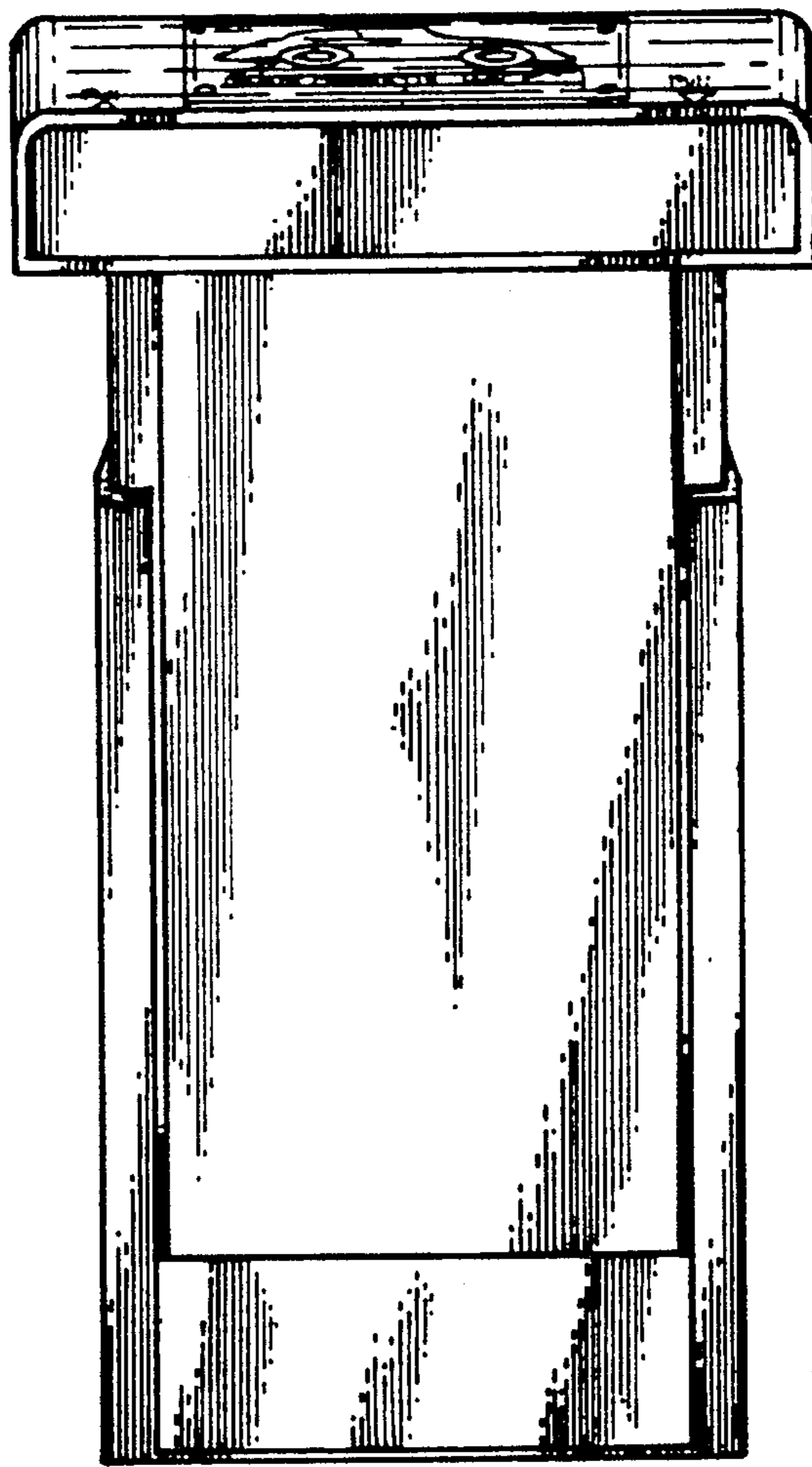


FIG. 7



UNITED STATES PATENT AND TRADEMARK OFFICE
CERTIFICATE OF CORRECTION

PATENT NO. : Des. 325.298

Page 1 of 2

DATED : April 14, 1992

INVENTOR(S) : Tony DiPietro, et al.

It is certified that error appears in the above-identified patent and that said Letters Patent is hereby corrected as shown below:

The title page should be deleted to appear as per attached title page.

**Signed and Sealed this
Second Day of March, 1993**

Attest:

STEPHEN G. KUNIN

Attesting Officer

Acting Commissioner of Patents and Trademarks



US00D325298S

United States Patent [19]

[11] Patent Number: Des. 325,298

DiPietro et al.

[45] Date of Patent: ** Apr. 14, 1992

[54] ORGANIZER DRAWER FOR AUDIO CASSETTES, DISCS, OR THE LIKE TO BE USED IN AN AUTOMOBILE

4,440,458	4/1984	Berkman	312/10
4,518,084	5/1985	Berkman	D3/35
4,650,072	3/1987	Ackeret	206/387
4,756,459	7/1988	Hardman	206/387
4,776,623	10/1988	Manning	206/387
4,960,205	10/1990	Wang	206/387

[76] Inventors: Tony DiPietro; Raffaele DiPietro, both of 5267 Paisley, St. Leonard, Quebec, Canada, H1S-1V4

Primary Examiner—James R. Largen
Assistant Examiner—Celia A. Murphy
Attorney, Agent, or Firm—Terry M. Gernstein

[**] Term: 14 Years

[57] CLAIM

[21] Appl. No.: 447,248

The ornamental design for an organizer drawer for audio cassettes, discs, or the like to be used in an automobile, as shown and described.

[22] Filed: Dec. 7, 1989

[52] U.S. Cl. D3/35

[58] Field of Search D3/30.1, 35, 40; D6/407, 408, 432, 420, 467, 473, 476, 513, 553, 559, 561, 567, 569, 570, 571; D7/616; D19/75, 90, 211/10, 40, 44, 94.5, 134; 206/387, 307, 309, 310; 312/10, 12, 128

DESCRIPTION

FIG. 1 is a perspective view of an organizer drawer for audio cassettes, discs, or the like to be used in an automobile showing our new design;
FIG. 2 is a left side elevational view thereof, the right side being a mirror image;
FIG. 3 is a front elevational view thereof, the rear being plain and unornamented;
FIG. 4 is a perspective view of an alternate embodiment of the design shown in FIG. 1;
FIG. 5 is a left side elevational view of FIG. 4;
FIG. 6 is a front elevational view of FIG. 4; and,
FIG. 7 is a bottom plan view of FIG. 4.

[56] References Cited

U.S. PATENT DOCUMENTS

D. 171,219	12/1953	Mills	D3/35
D. 199,423	10/1964	Probst	D6/467
D. 212,192	9/1968	Adell	D6/569
D. 214,978	8/1969	Ritz, Jr.	D3/35
D. 215,307	9/1969	Huck	D6/432
D. 247,646	3/1978	Woodhall	D3/35
D. 263,100	2/1982	Thompson	D6/432
D. 287,907	1/1987	Yu	D3/35

