



US00D325289S

United States Patent [19]

[11] Patent Number: **Des. 325,289**

Aveni

[45] Date of Patent: **** Apr. 14, 1992**

[54] **SIDE OF A SHOE MIDSOLE**

[75] Inventor: **Michael A. Aveni, Lake Oswego, Oreg.**

[73] Assignees: **Nike, Inc.; Nike International Ltd., both of Beaverton, Oreg.**

[**] Term: **14 Years**

[21] Appl. No.: **537,764**

[22] Filed: **Jun. 14, 1990**

[52] U.S. Cl. **D2/314; D2/319**

[58] Field of Search **D2/264, 265, 277, 308-314, D2/317-322; 36/25 R, 32 R, 59 R, 70 R, 71.5, 72 R, 72 B, 83-92, 99-107, 45, 112-116, 132, 136**

[56] **References Cited**

U.S. PATENT DOCUMENTS

D. 251,817	5/1979	Inohara	D2/309
D. 262,751	1/1982	Anderie	D2/310
D. 265,435	7/1982	Vernonet	D2/309
D. 290,541	6/1987	O'Rourke	D2/310
D. 304,389	11/1989	Miller	D2/310
D. 310,442	9/1990	Hatfield	D2/314
4,348,821	9/1982	Daswick	36/103
4,776,111	10/1988	Crowley	36/89
4,817,304	4/1989	Parker et al.	36/114
4,833,795	5/1989	Diaz	36/29

OTHER PUBLICATIONS

Nike Fall 1988 Catalog, pp. 4 and 24, published Jan. 1988.

Nike Spring 1989 Catalog, pp. 8, 28, 30 and 32, published Jun. 1988.

Nike Air Flight '90 Circular, published Jun. 15, 1989.

Nike Spring 1990 Catalog, p. 22, published Jun. 15, 1989.

Footwear News, Feb. 8, 1989, pp. 14, 15 and back cover.

Primary Examiner—Louis S. Zarfes

Attorney, Agent, or Firm—Banner, Birch, McKie & Beckett

[57] **CLAIM**

The ornamental design for a side of a shoe midsole, as shown and described.

DESCRIPTION

FIG. 1 is a side elevational view of one side of a side of a shoe midsole showing my new design;

FIG. 2 is a side elevational view of the other side of a side of the shoe midsole shown in FIG. 1;

FIG. 3 is a rear elevational view of the side of the shoe midsole shown in FIG. 1;

FIG. 4 is a side elevational view of a side of a shoe midsole showing another embodiment of my new design;

FIG. 5 is a side elevational view of the other side of the side of the shoe midsole shown in FIG. 4; and,

FIG. 6 is a cross-section generally along the line 6—6 in FIG. 1.

The broken line showing of a shoe sole, including the cupped vertical sides of the sole, and the broken line showing of a shoe upper are for illustrative purposes and form no part of the claimed design.

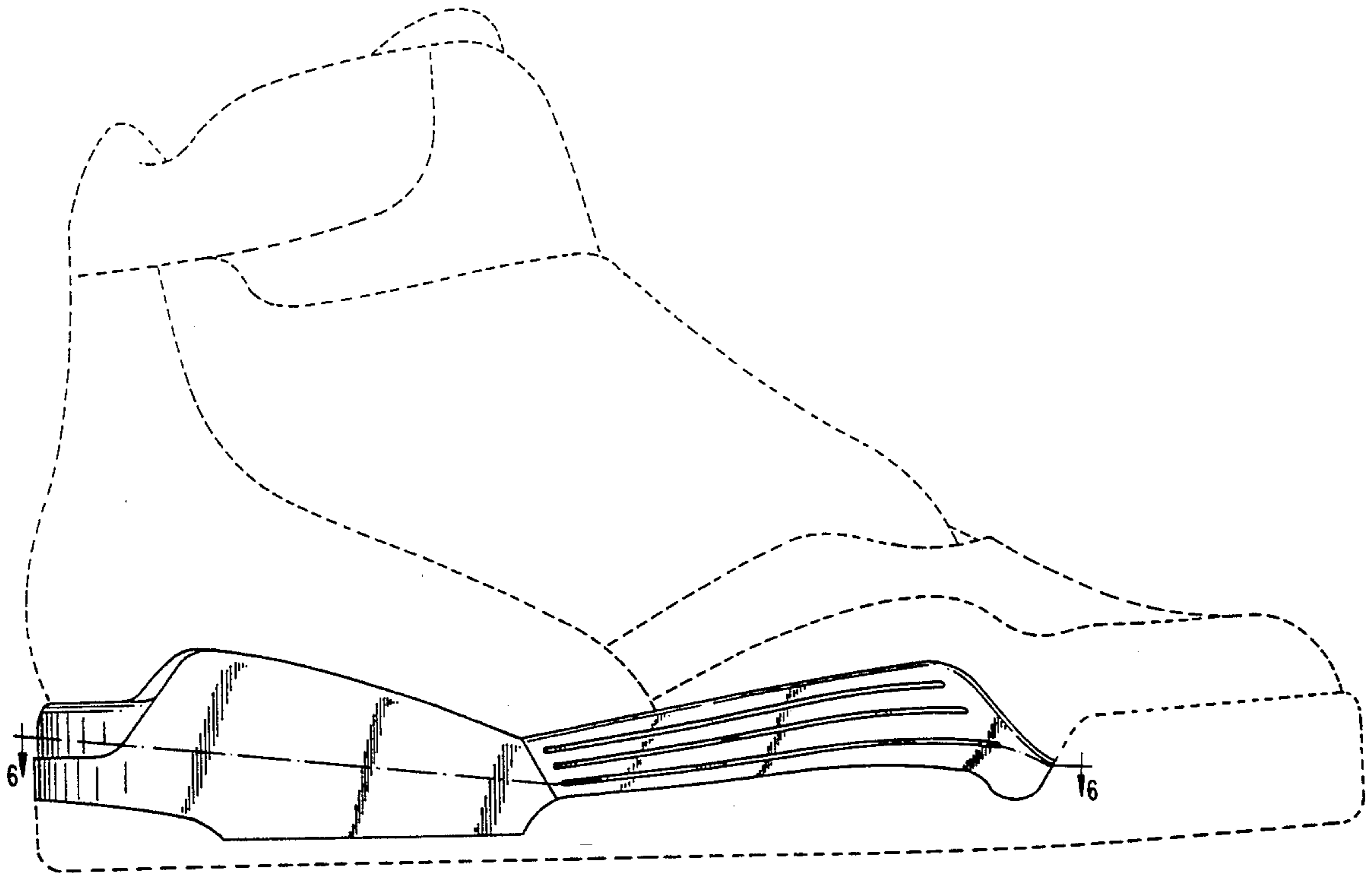
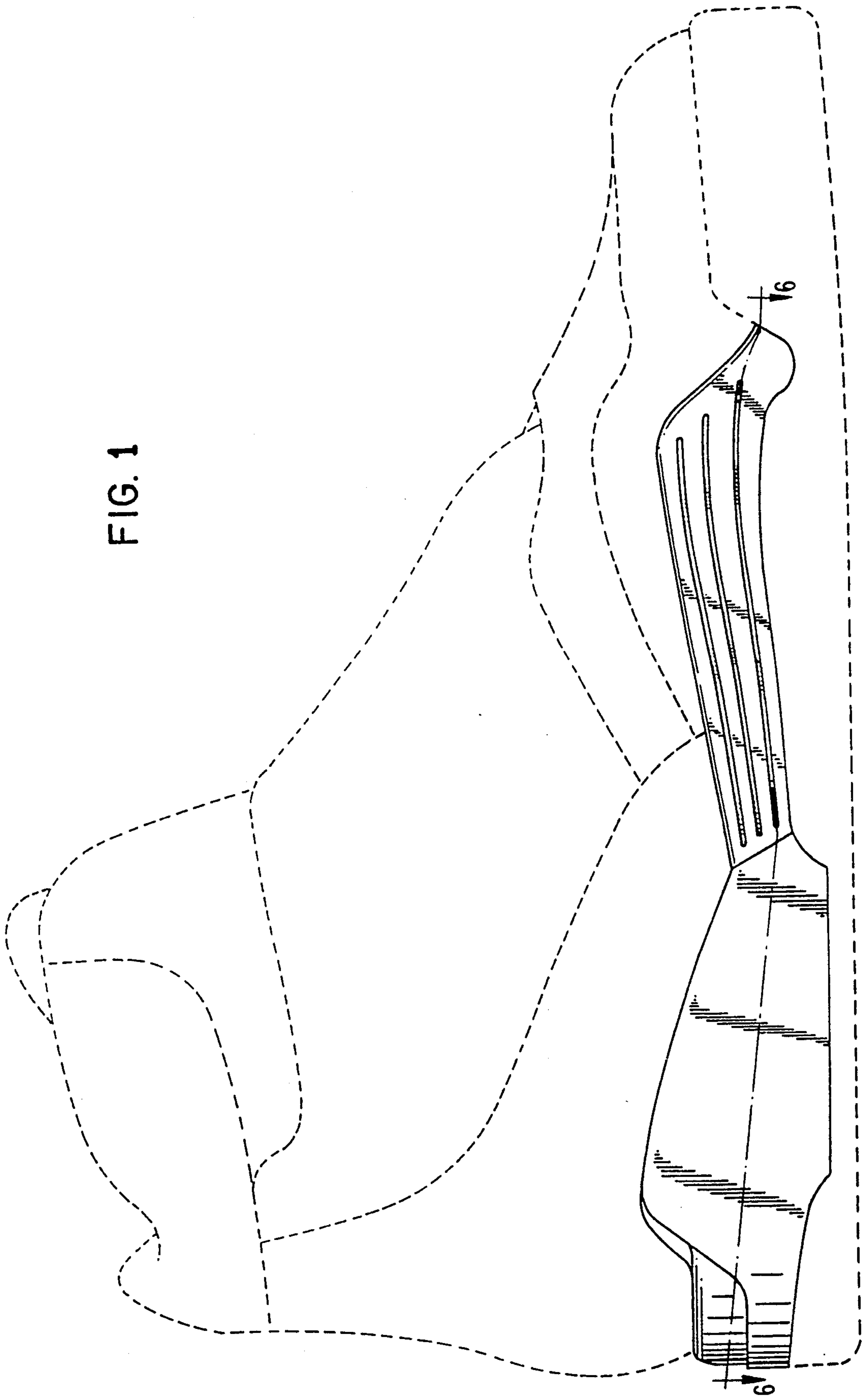


FIG. 1



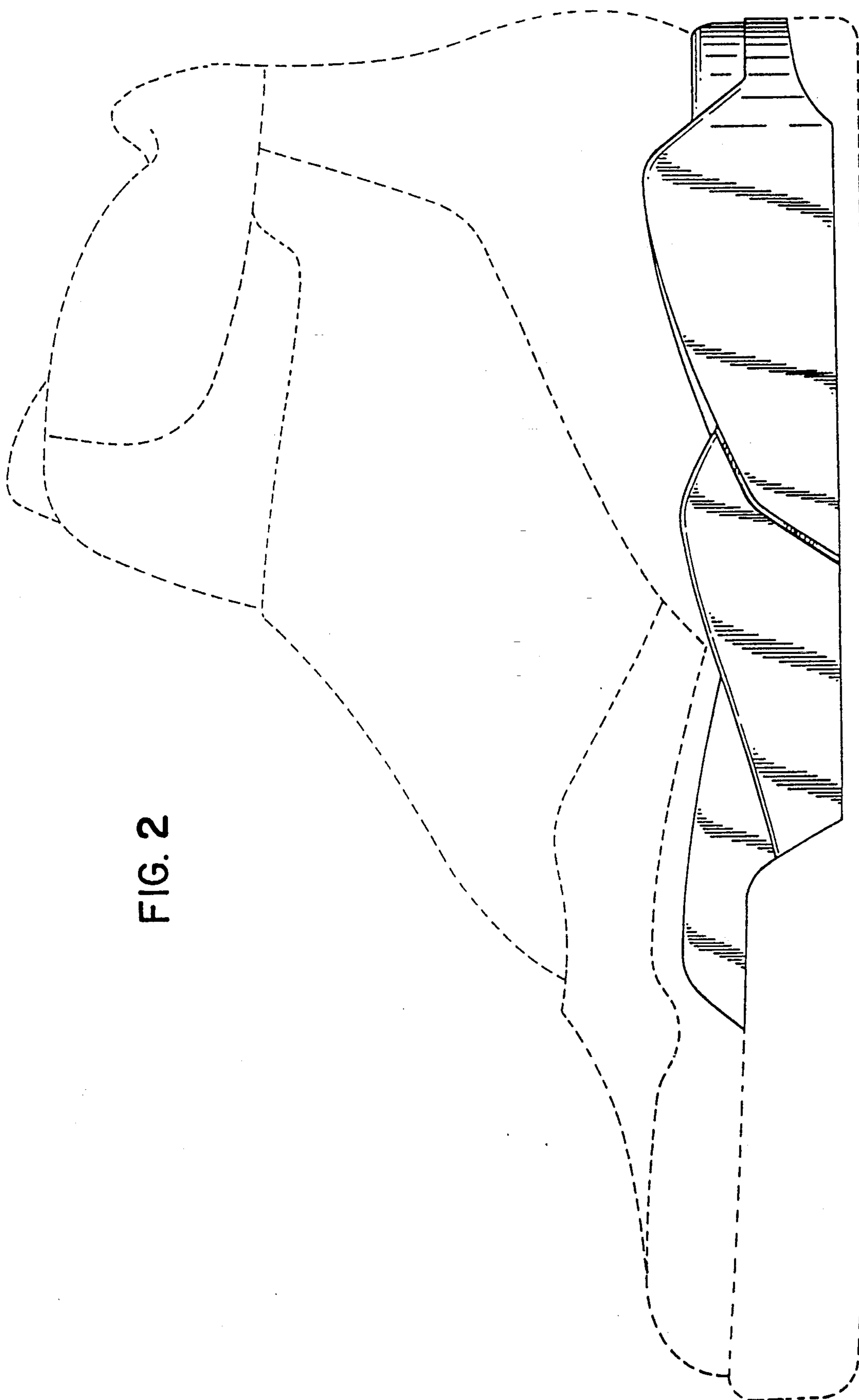


FIG. 2

FIG. 3

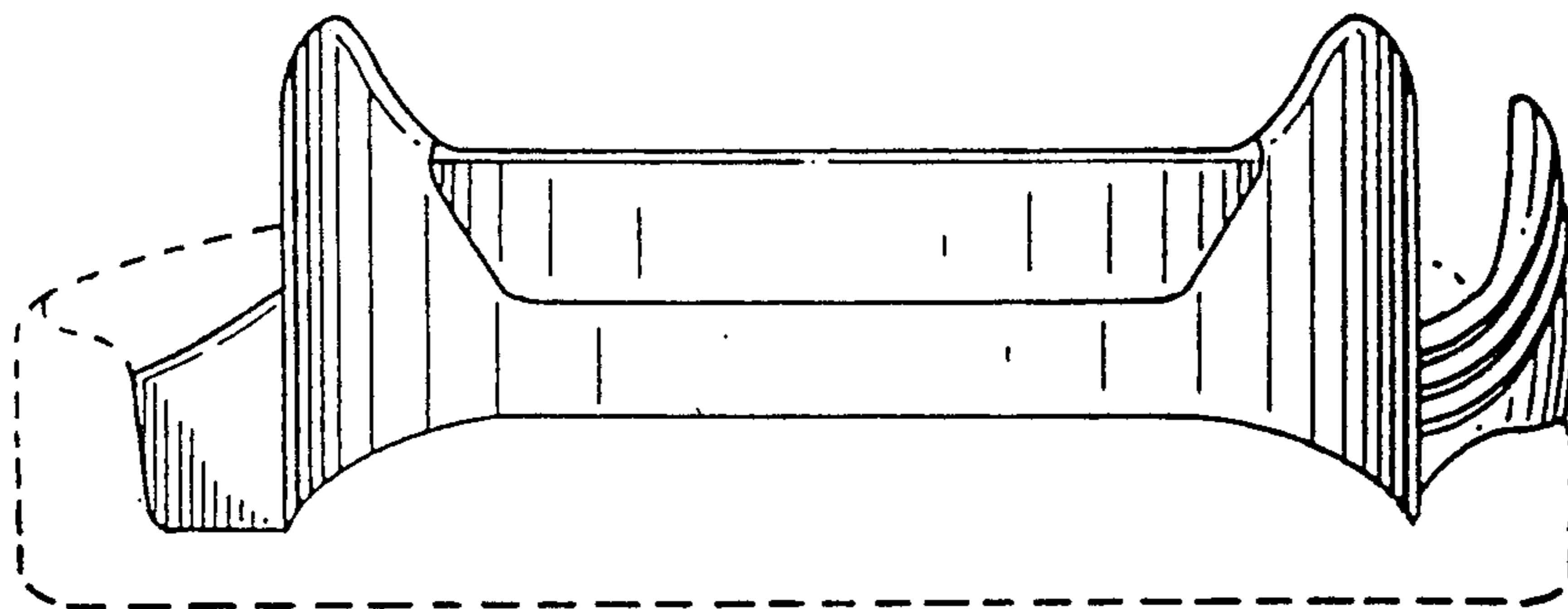
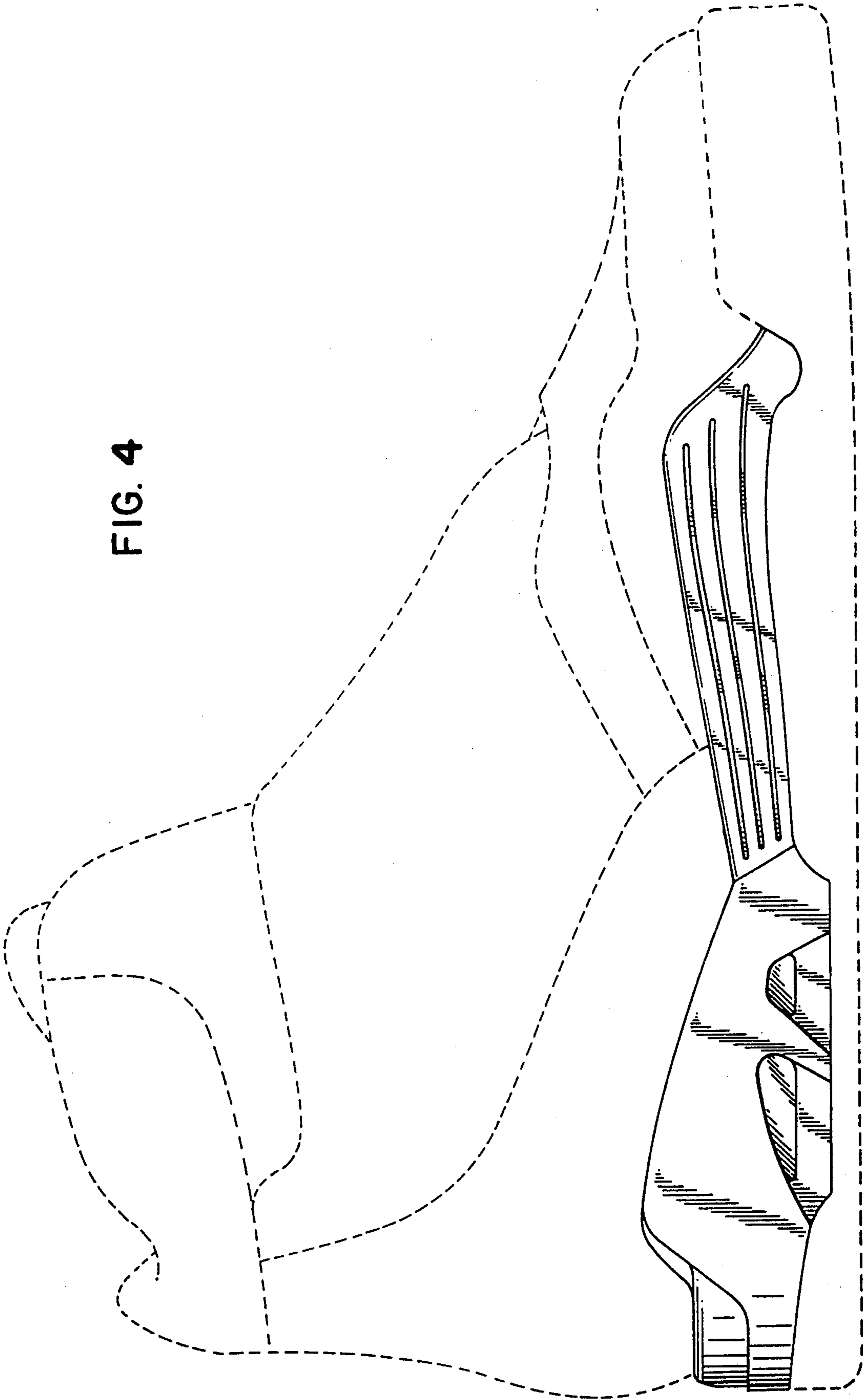


FIG. 4



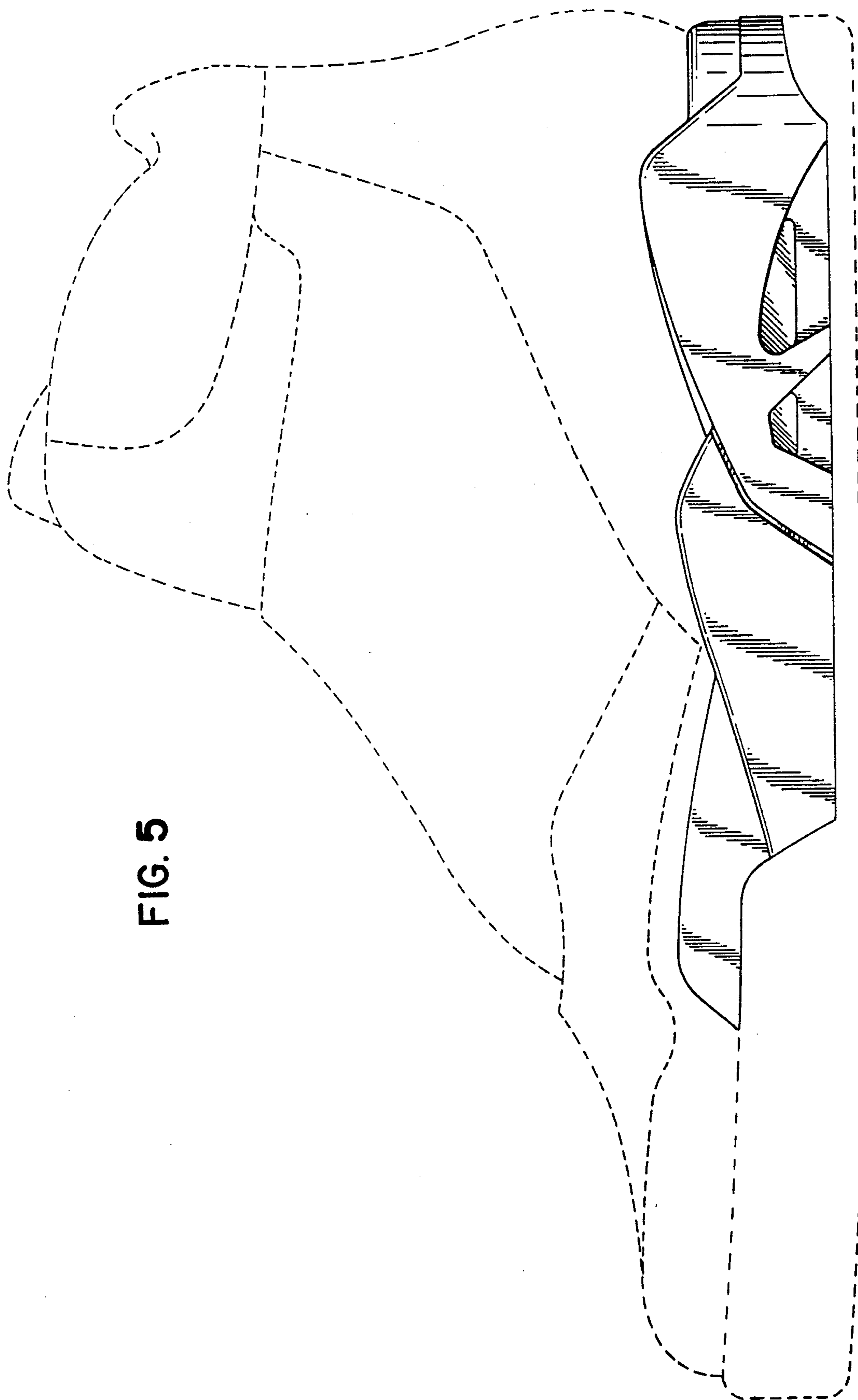


FIG. 5

FIG. 6

