



US00D325281S

United States Patent [19]

[11] Patent Number: **Des. 325,281**

Jordan

[45] Date of Patent: **** Apr. 7, 1992**

[54] **COMBINED CONTAINER AND BINS**

3,751,845 8/1973 Van Leeuwen .

4,534,474 8/1985 Ng 206/514 X

[76] Inventor: **Raymond Jordan, #4 Fairhope Ct., Annapolis, Md. 21403**

Primary Examiner—Bernard Ansher
Assistant Examiner—Dominic Simone
Attorney, Agent, or Firm—Richard C. Litman

[**] Term: **14 Years**

[21] Appl. No.: **349,123**

[57] **CLAIM**

[22] Filed: **May 8, 1989**

The ornamental design for a combined container and bins, as shown and described.

[52] U.S. Cl. **D3/74; D34/46**

[58] Field of Search **D9/428, 341; D19/75; D3/74; D34/46; D7/501, 612, 614-616; 229/107, 120-122; 206/499, 514, 515, 538, 55, 338**

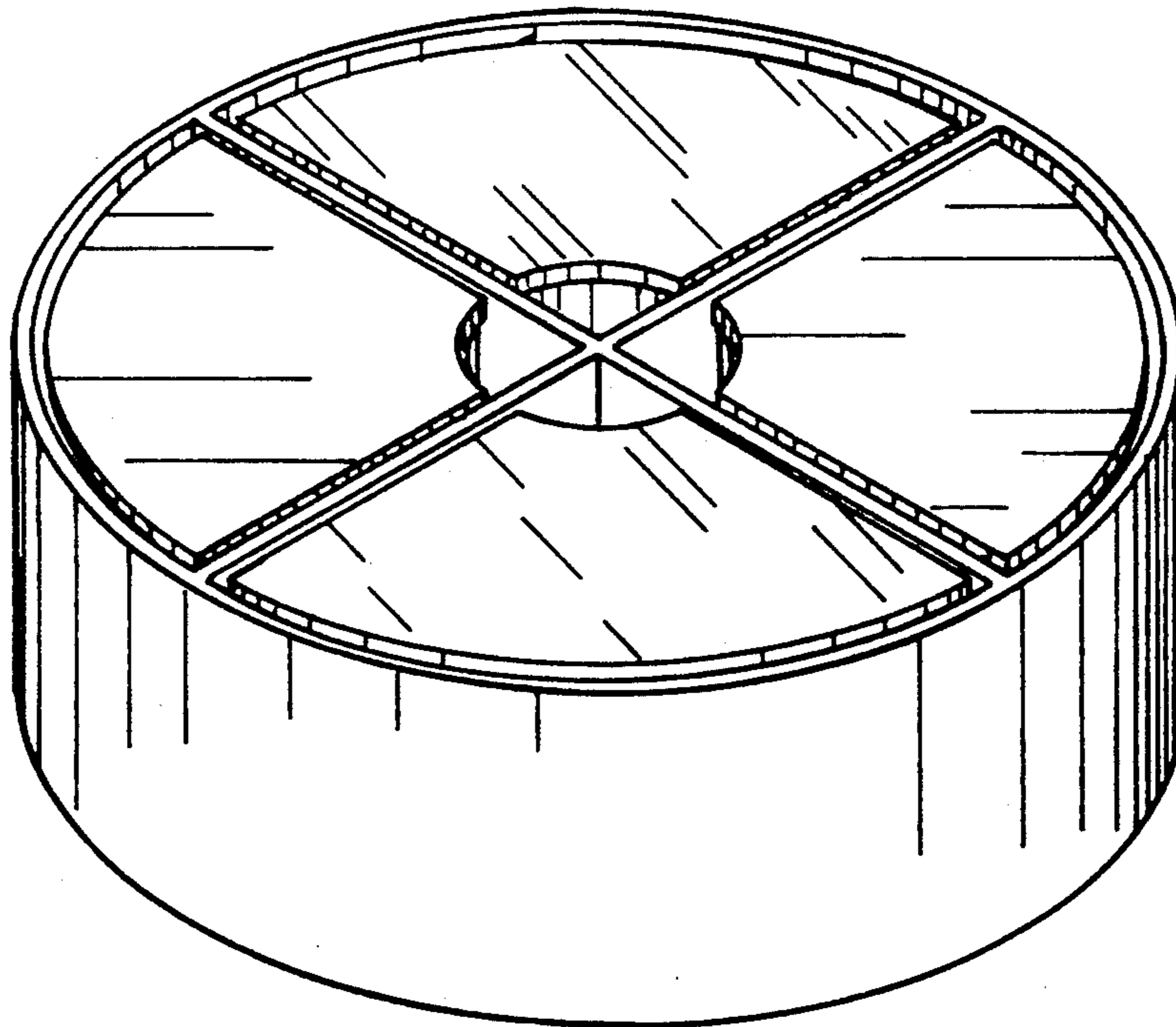
DESCRIPTION

[56] **References Cited**

U.S. PATENT DOCUMENTS

D. 65,722	10/1924	Bennett	D7/501 X
D. 72,249	3/1927	Orzo	D9/341 X
D. 99,682	5/1936	Scurlock	D7/612
D. 123,500	11/1940	Hammond	D9/341
D. 209,240	11/1967	Polgsted	D9/341 X
D. 209,847	1/1968	Taylor	D7/612
D. 225,513	12/1972	Waag	D3/74
D. 274,040	5/1984	Ridgley	D9/341 X
D. 279,621	7/1985	Richel	D19/75 X
D. 286,019	10/1986	Fishman et al.	D9/341
1,750,258	3/1930	Brown	.	
1,760,761	5/1930	March	.	
2,426,883	9/1947	Kartyshai	229/107 X
2,903,127	9/1959	Dormon	206/538 X
2,919,169	9/1959	Jackson	.	
3,675,620	7/1972	Baustin	206/538 X

FIG. 1 is a perspective view of a combined container and bins showing my new design;
 FIG. 2 is a front perspective view of a bin, shown separately for clarity of illustration;
 FIG. 3 is a front perspective view of a bin cover, shown separately for clarity of illustration;
 FIG. 4 is a perspective view of a container, shown separately for clarity of illustration;
 FIG. 5 is a top plan view of FIG. 4;
 FIG. 6 is a side elevational view of FIG. 4, all sides being identical;
 FIG. 7 is a bottom plan view of FIG. 4;
 FIG. 8 is a top plan view of FIG. 2;
 FIG. 9 is a side elevational view of FIG. 2, the opposite side being a mirror image;
 FIG. 10 is a bottom view of FIG. 2;
 FIG. 11 is a rear perspective view of FIG. 2;
 FIG. 12 is a side elevational view of FIG. 3;
 FIG. 13 is a front elevational view of FIG. 3;
 FIG. 14 is a bottom plan view of FIG. 3; and,
 FIG. 15 is a top plan view of FIG. 3.



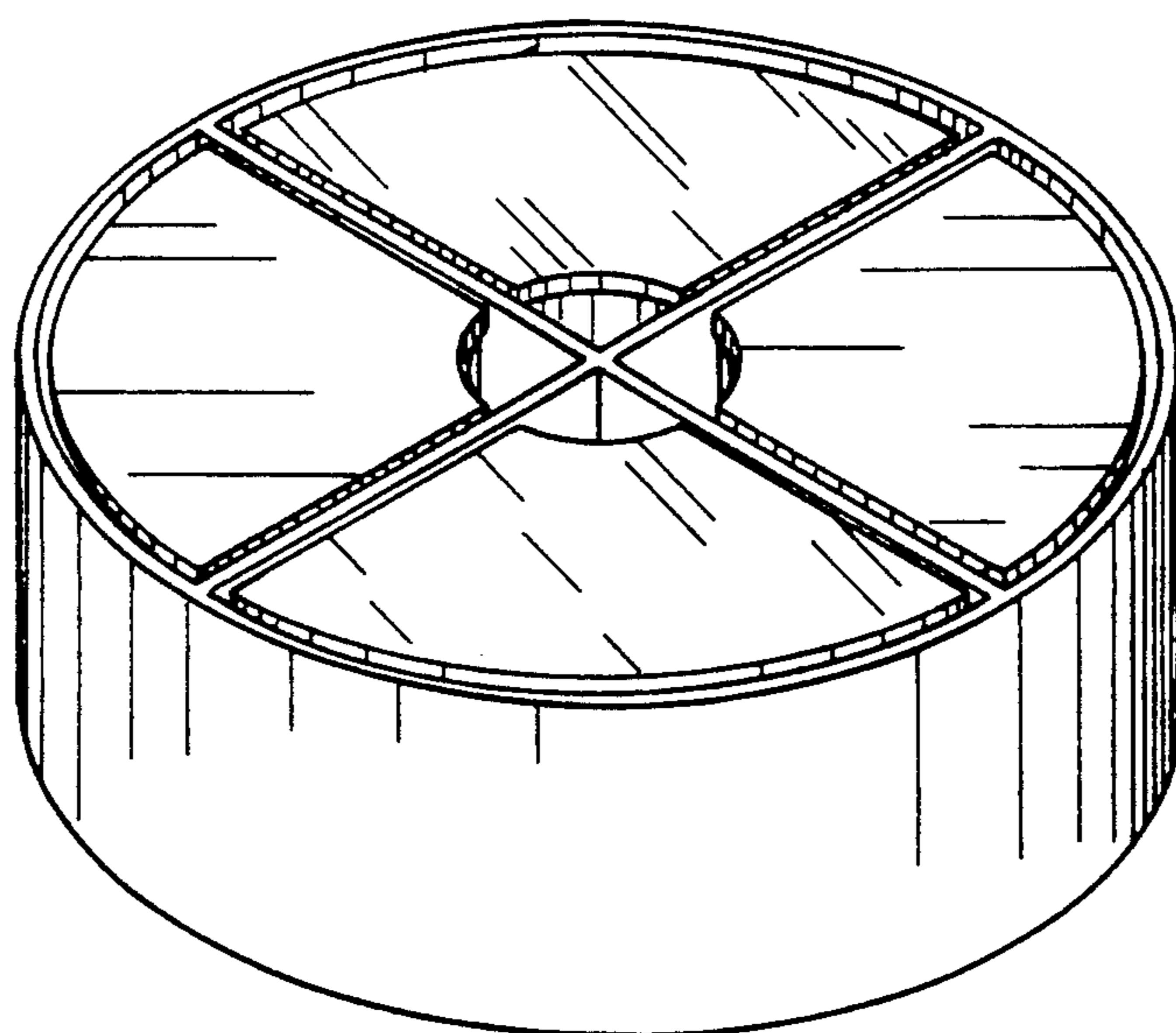


Fig 1

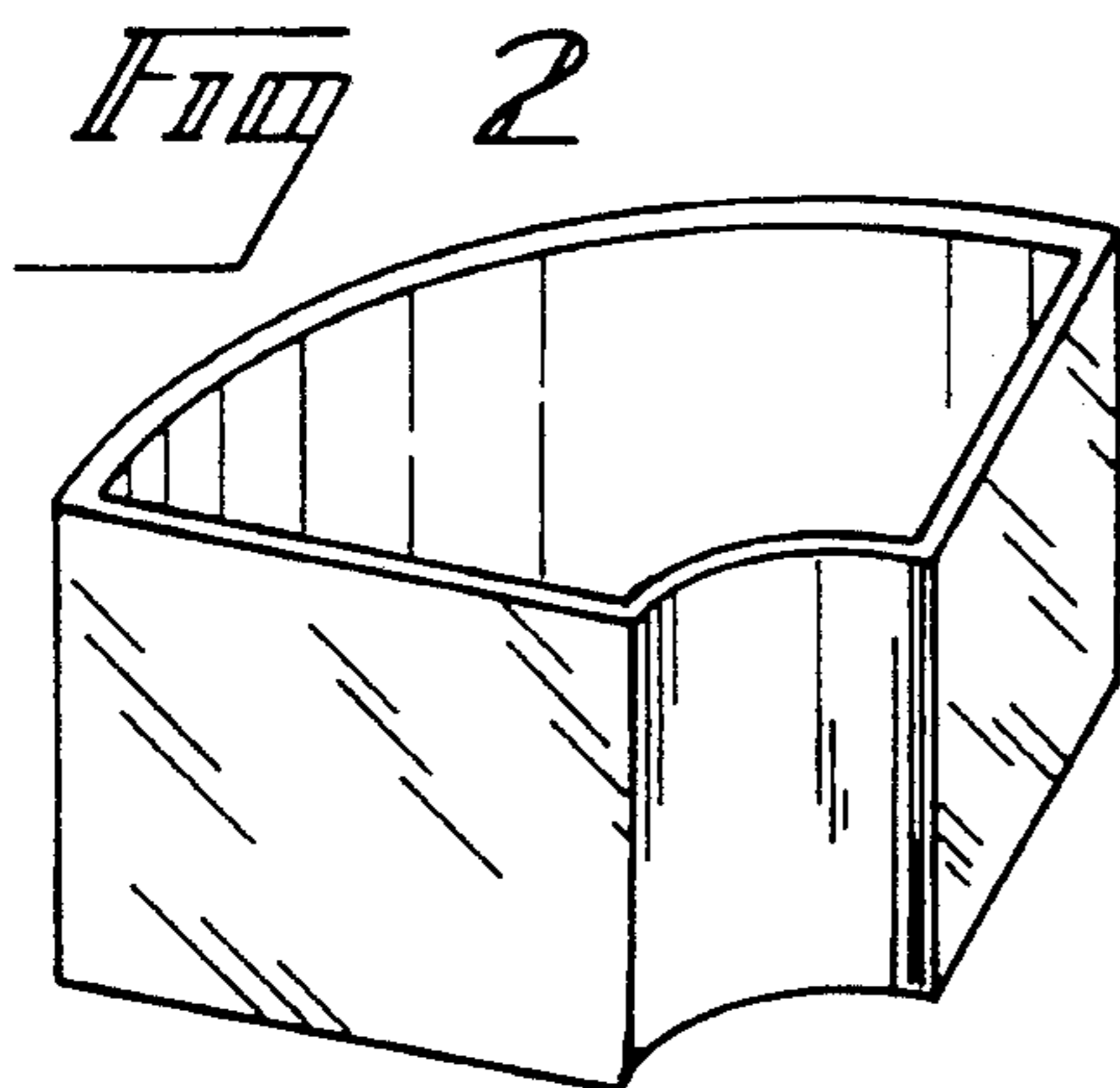


Fig 2

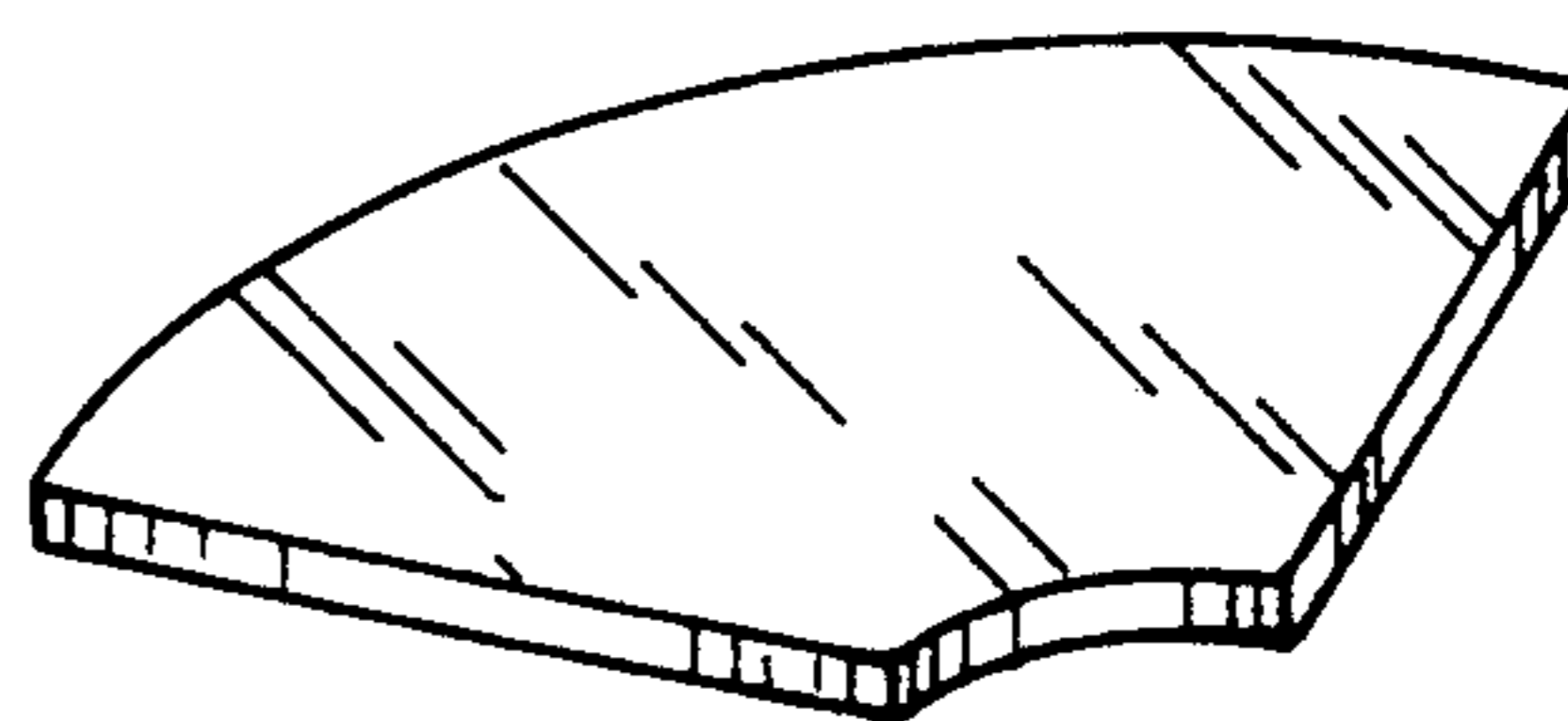


Fig 3

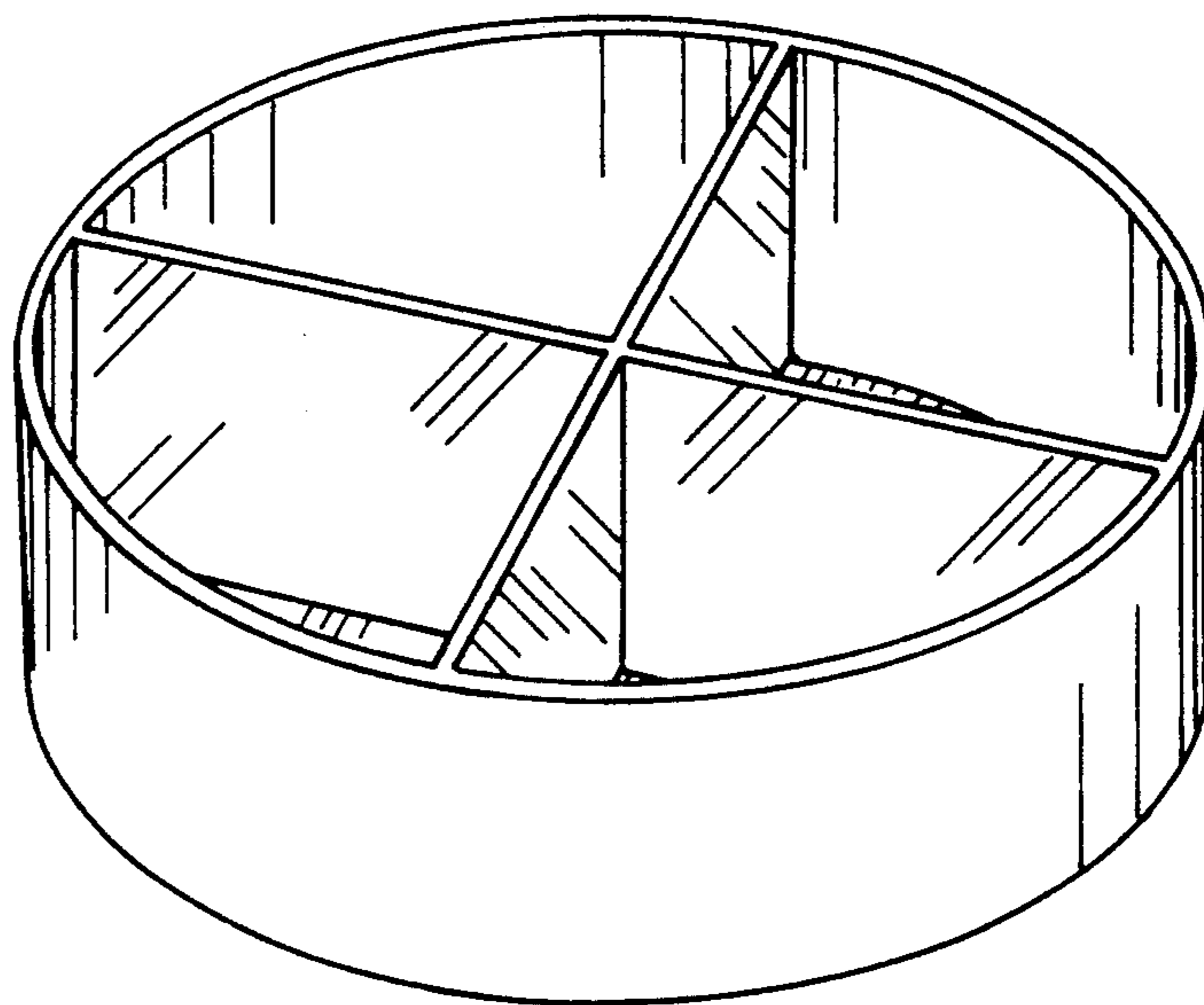


Fig 4

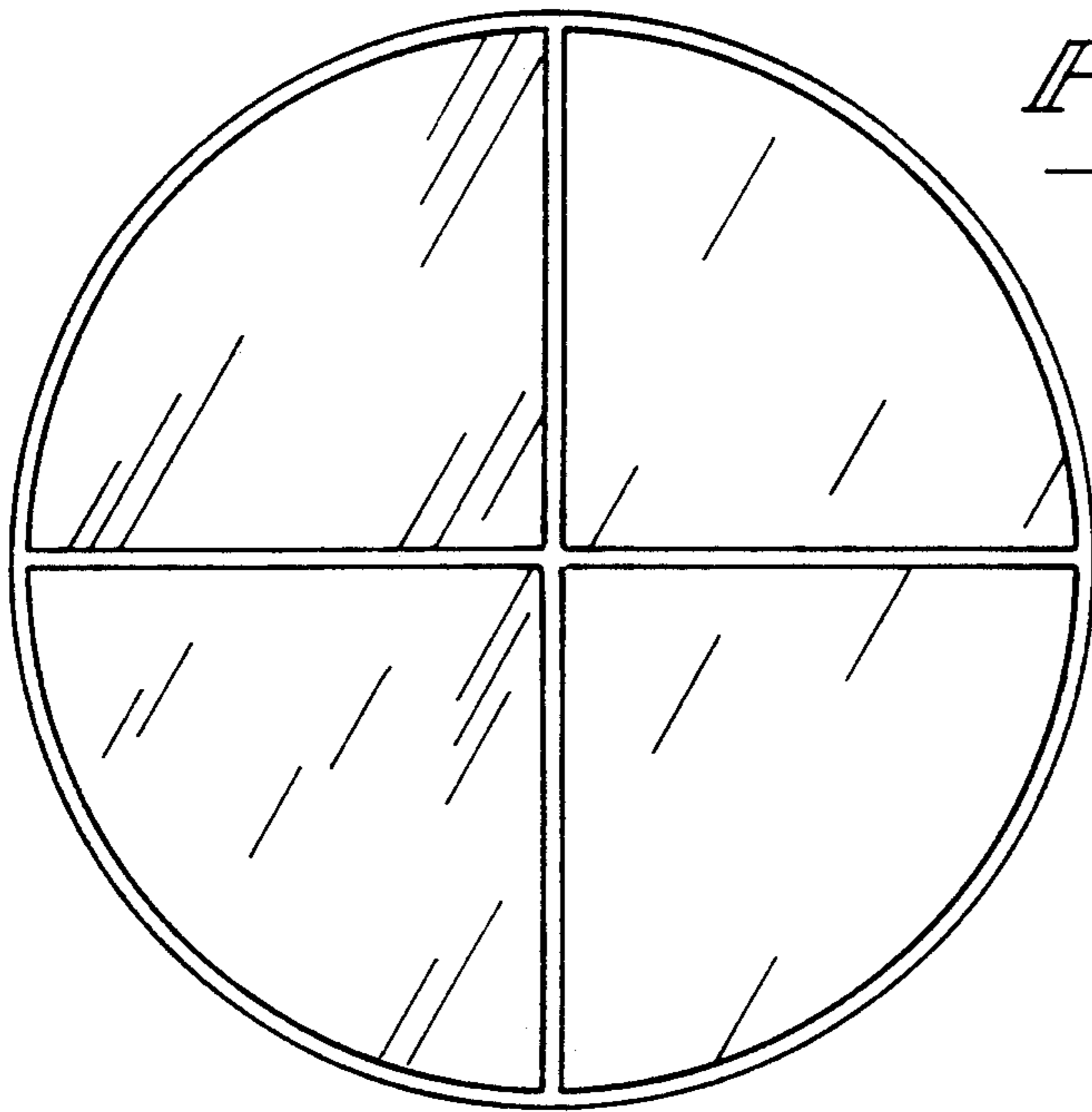


Fig 5

Fig 6

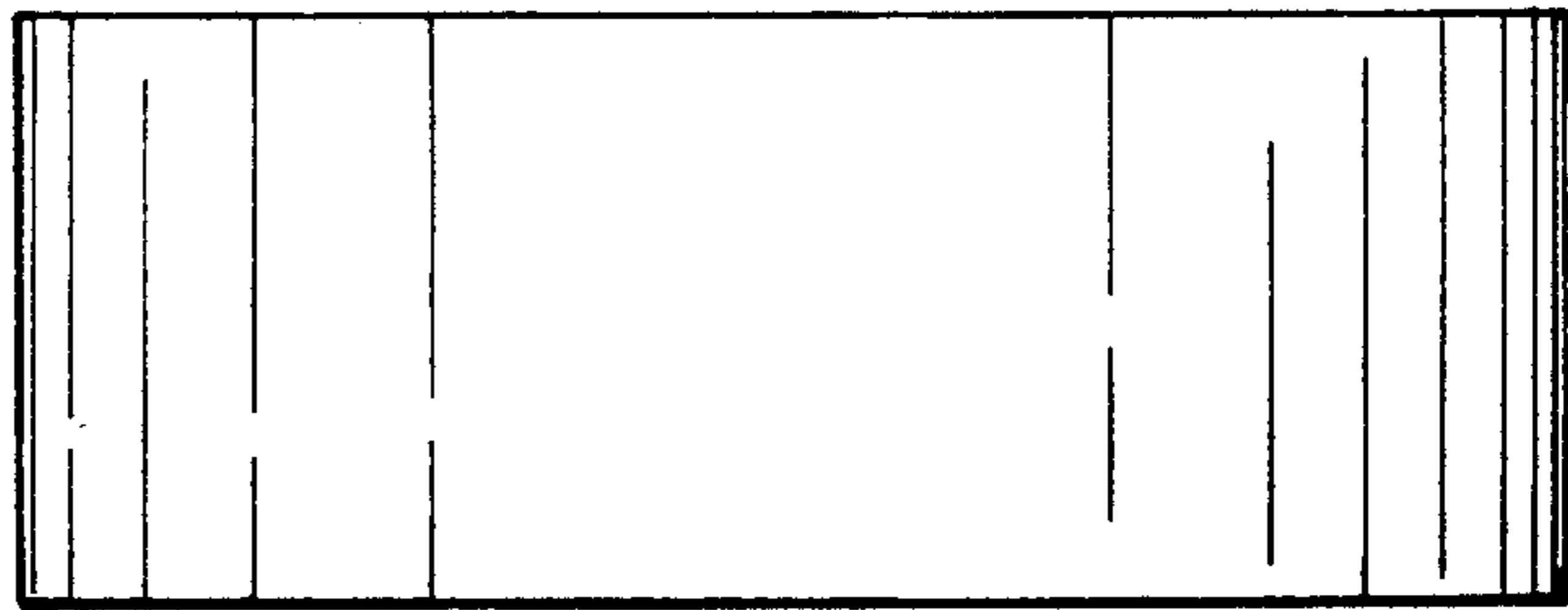
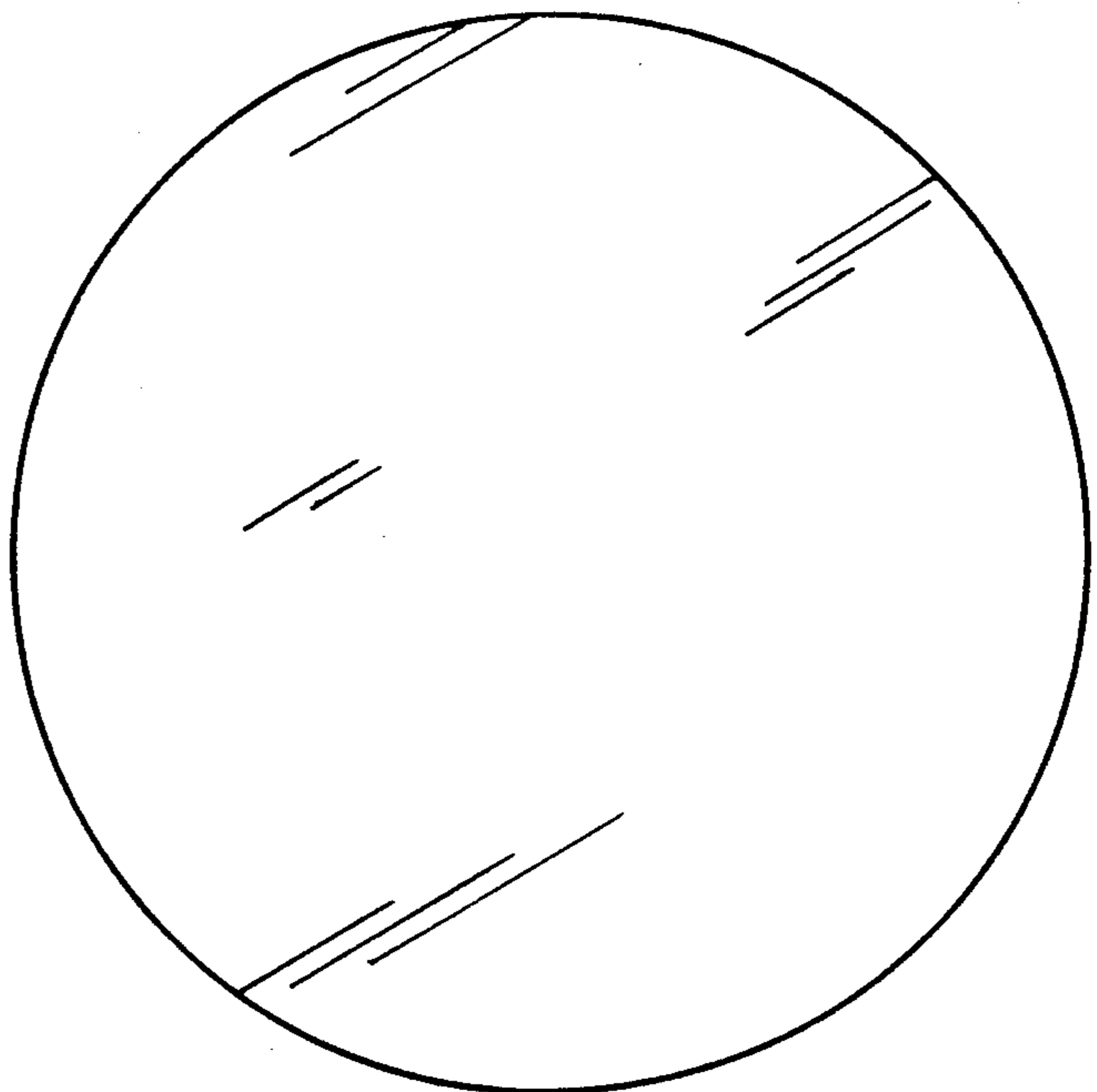


Fig 7



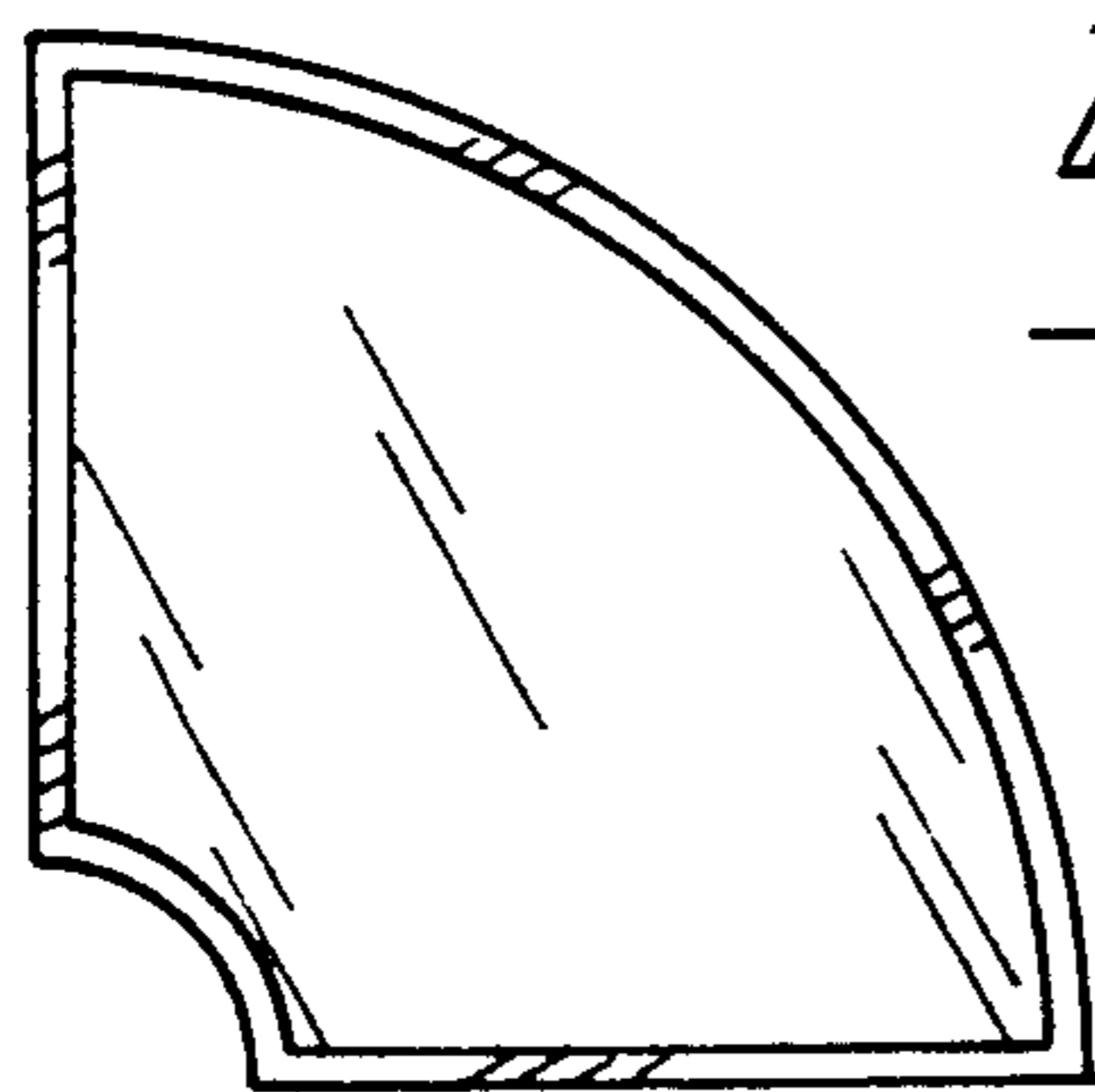


Fig 8

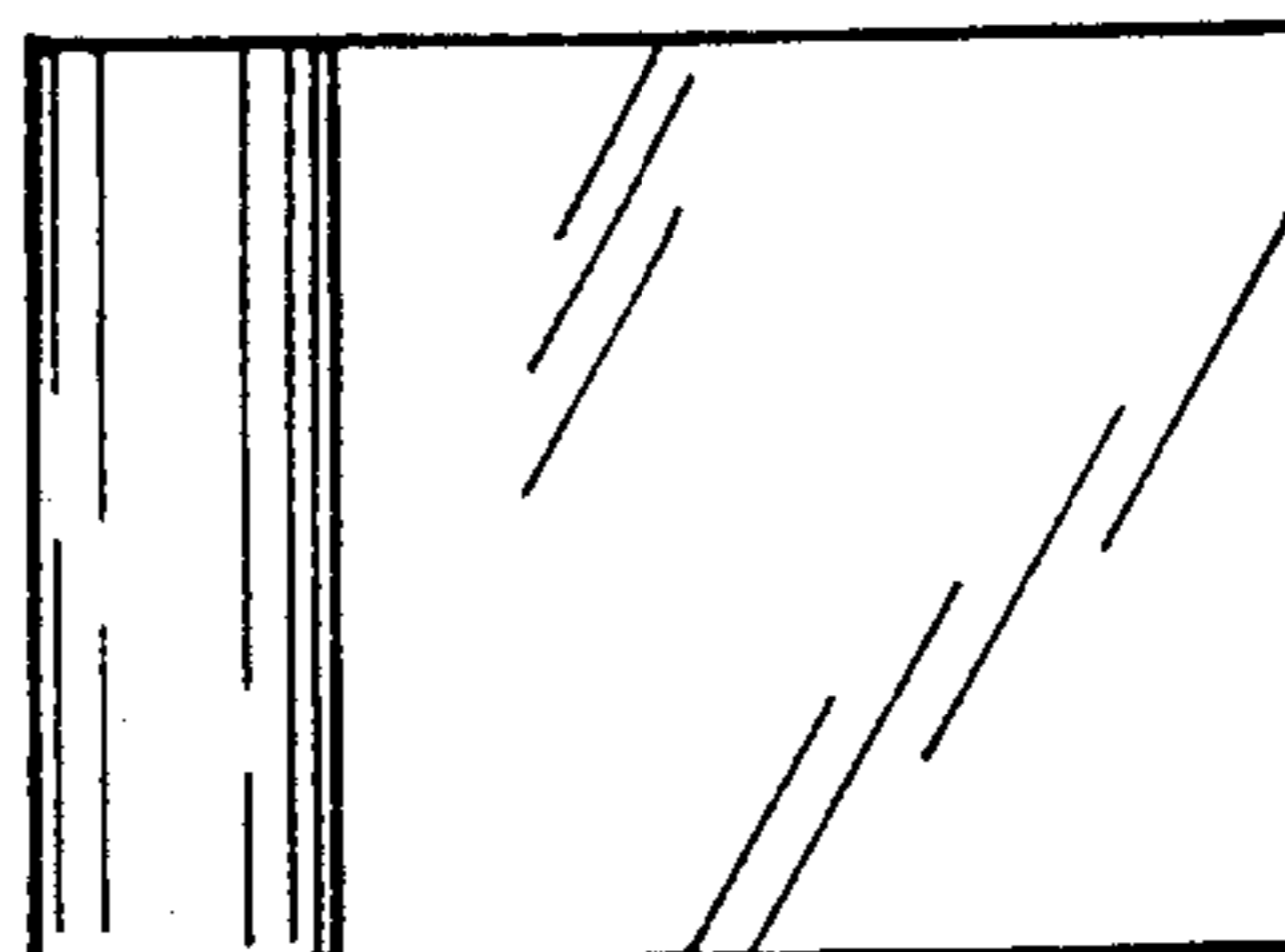


Fig 9

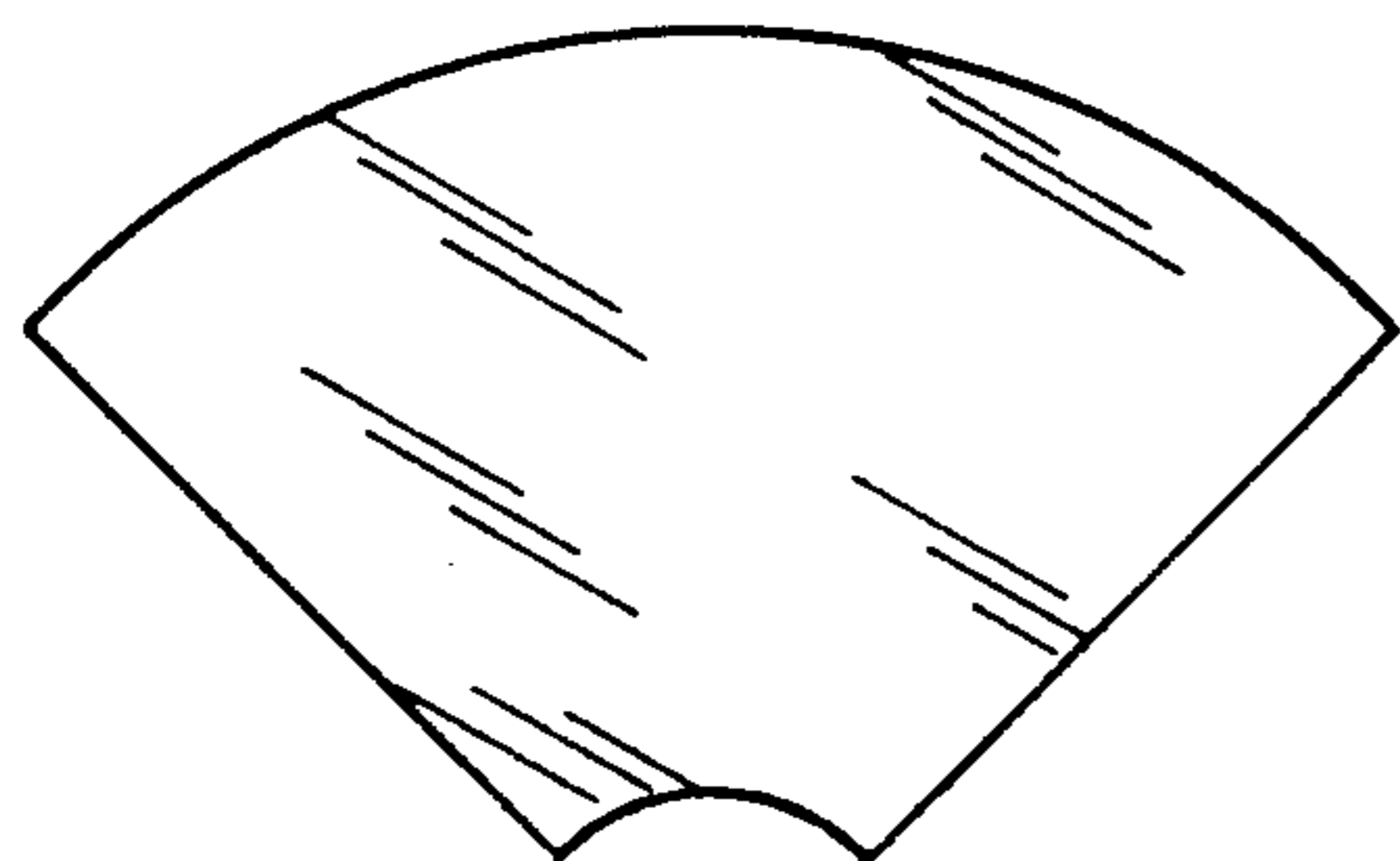


Fig 10

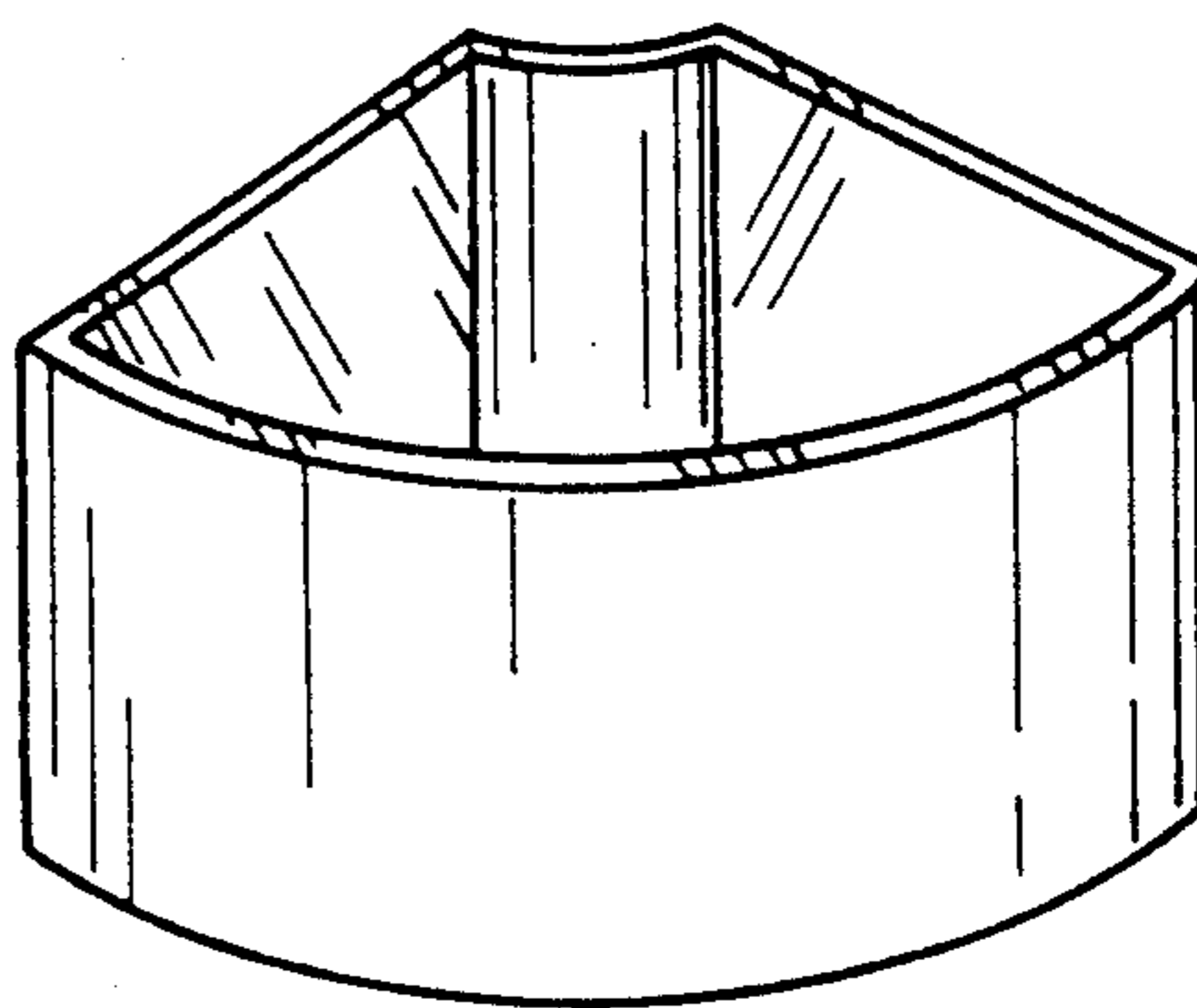


Fig 11

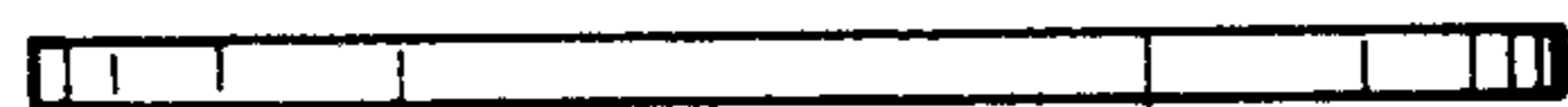


Fig 12



Fig 13

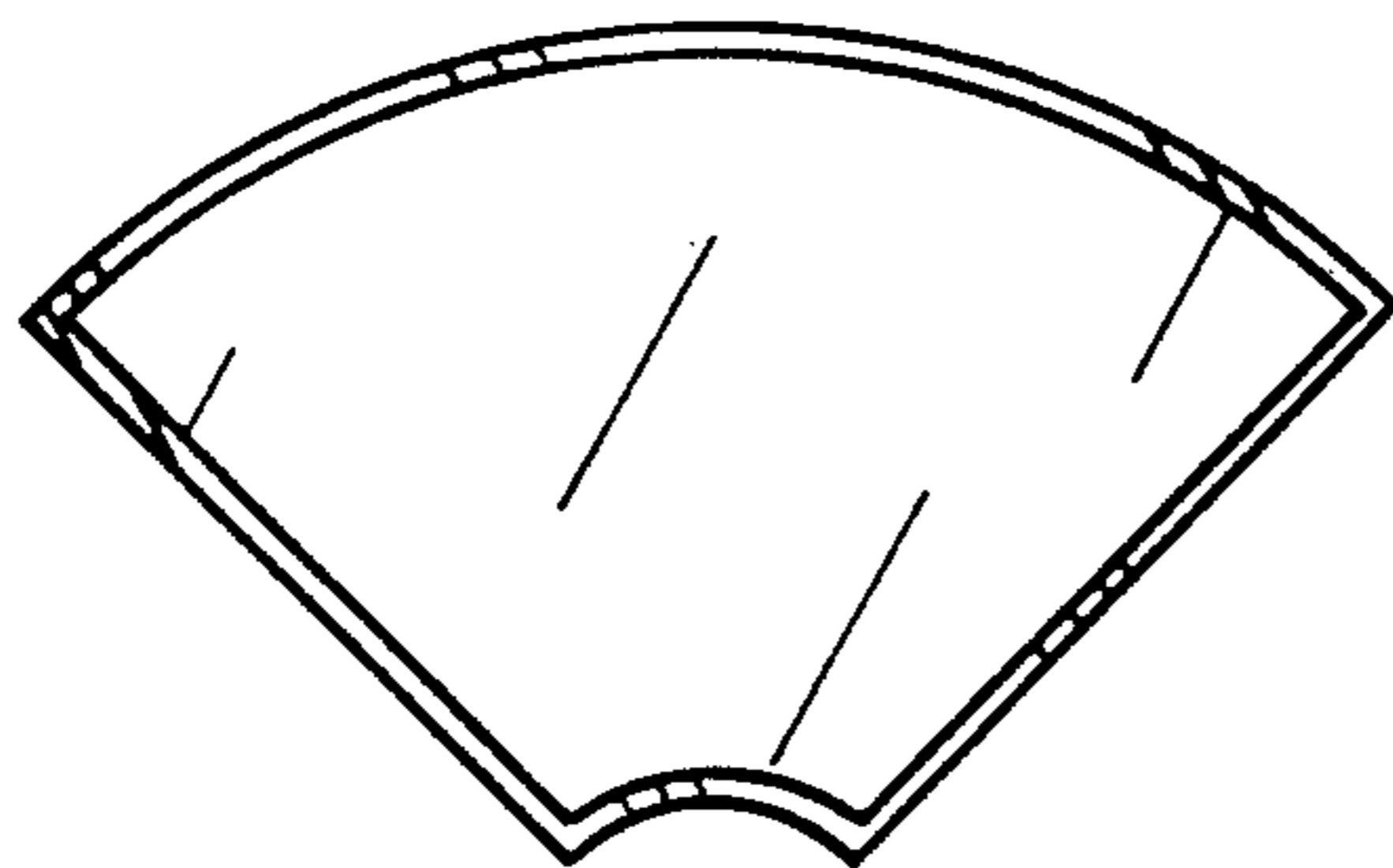


Fig 14

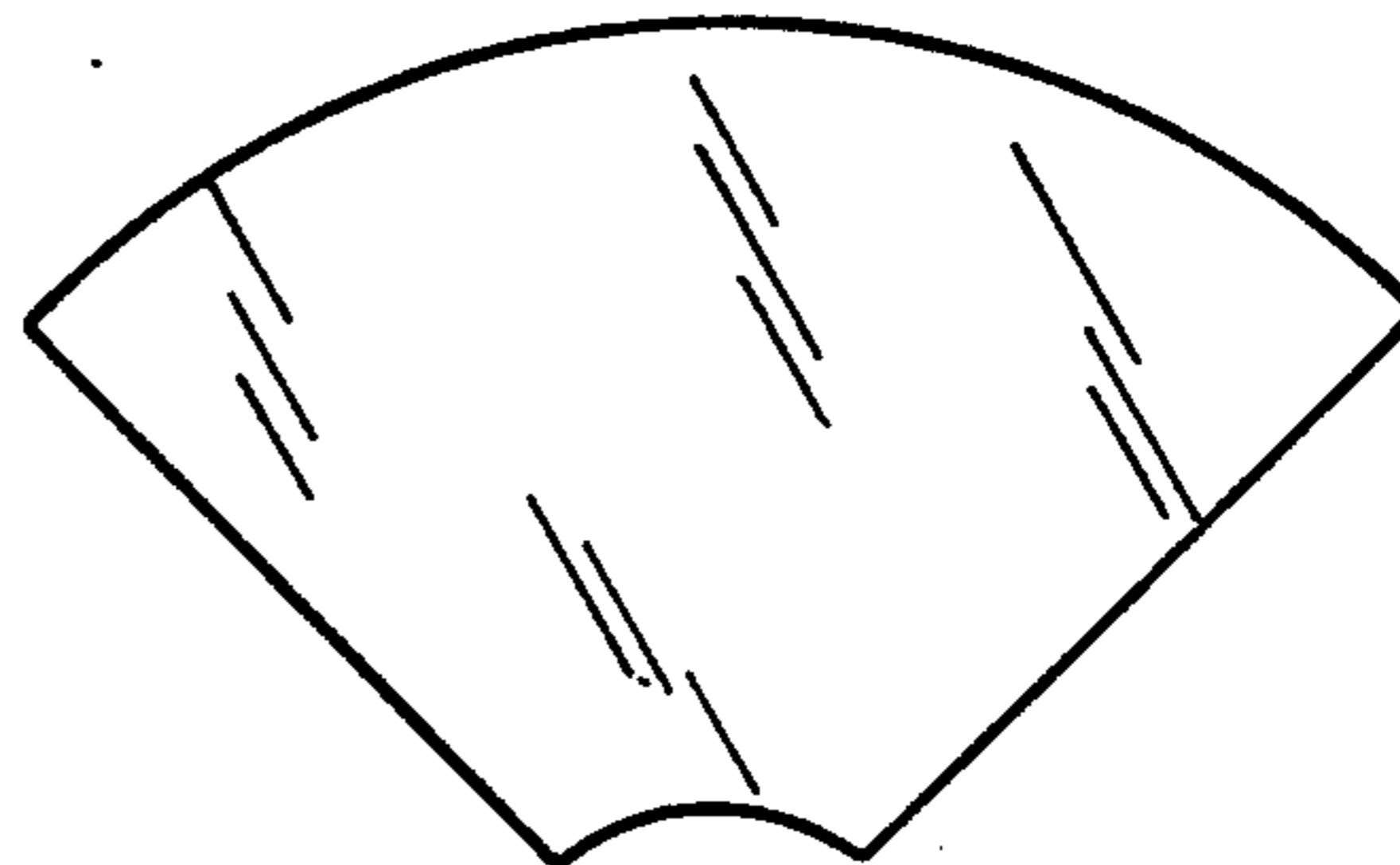


Fig 15