



US00D325277S

# United States Patent [19]

[11] Patent Number: **Des. 325,277**

Abbestam et al.

[45] Date of Patent: **\*\* Apr. 7, 1992**

[54] **INTERLOCKING LINEAR STRUCTURE FOR CONVEYORS OR THE LIKE**

[75] Inventors: **Goran Abbestam, Goteborg; Leif Lachonius, Surte, both of Sweden**

[73] Assignee: **AK Tiebolaget SKF, Goteborg, Sweden**

[\*\*] Term: **14 Years**

[21] Appl. No.: **353,386**

[22] Filed: **May 17, 1989**

[30] **Foreign Application Priority Data**

Nov. 21, 1988 [SE] Sweden ..... 882654

[52] U.S. Cl. .... **D34/35**

[58] Field of Search ..... D34/29, 35; 193/2 A, 193/32, 35 C, 25 E; 198/838; 248/72

[56] **References Cited**

**U.S. PATENT DOCUMENTS**

D. 209,421 11/1967 Fabian ..... D34/29

D. 238,510	1/1976	Tabler .....	D34/29
D. 309,817	8/1990	Burkett .....	D34/29
3,268,191	8/1966	Bridges et al. ....	248/72
4,438,842	3/1984	Allredge et al. ....	198/838
4,838,412	6/1989	Backman .....	198/838

*Primary Examiner*—Wallace R. Burke  
*Assistant Examiner*—H. Baynham  
*Attorney, Agent, or Firm*—Eugene E. Renz, Jr.

[57] **CLAIM**

The ornamental design for an interlocking linear structure for conveyors or the like, as shown and described.

**DESCRIPTION**

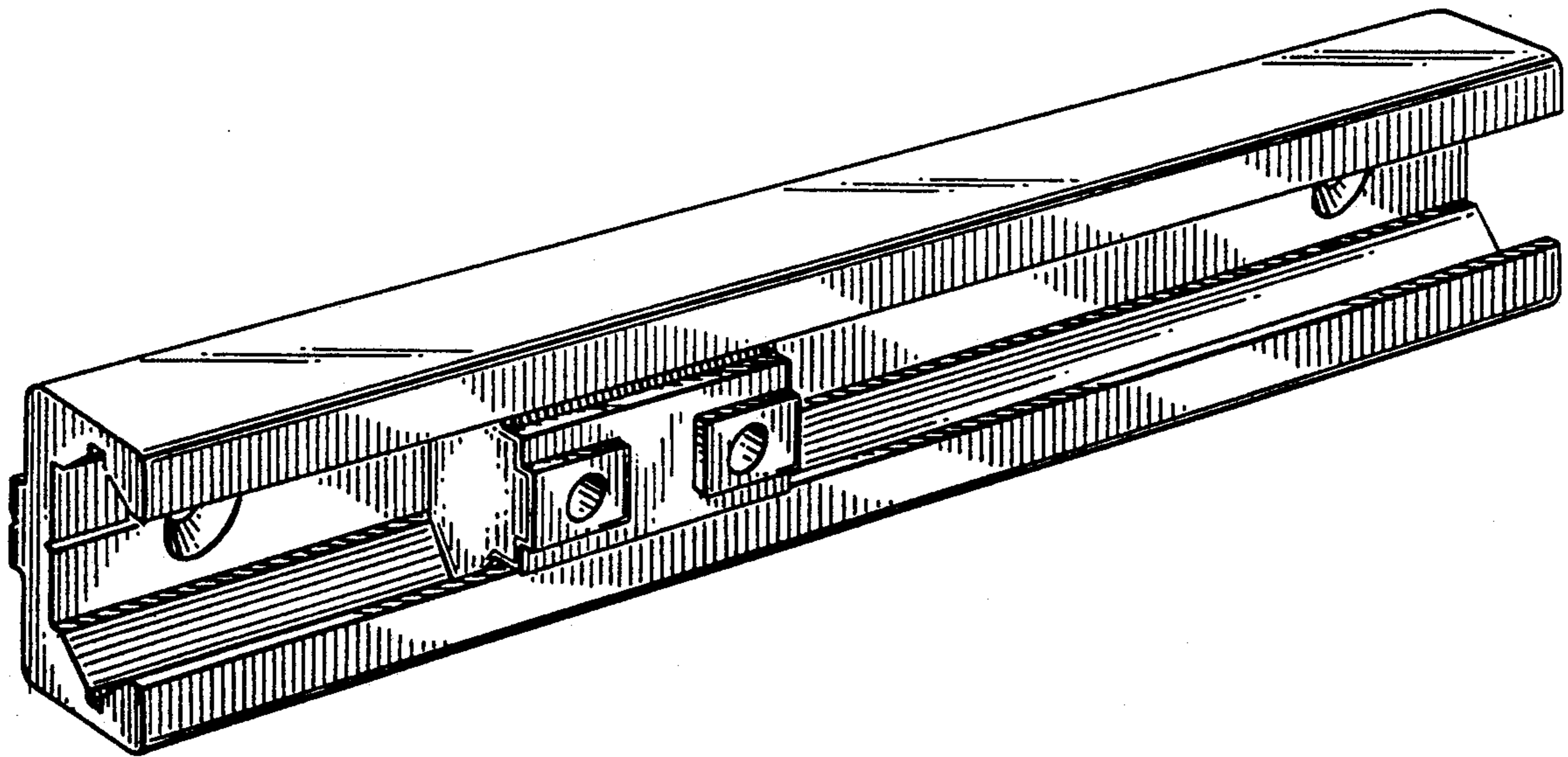
FIG. 1 is a perspective view of an interlocking linear structure for conveyors or the like showing our new design;

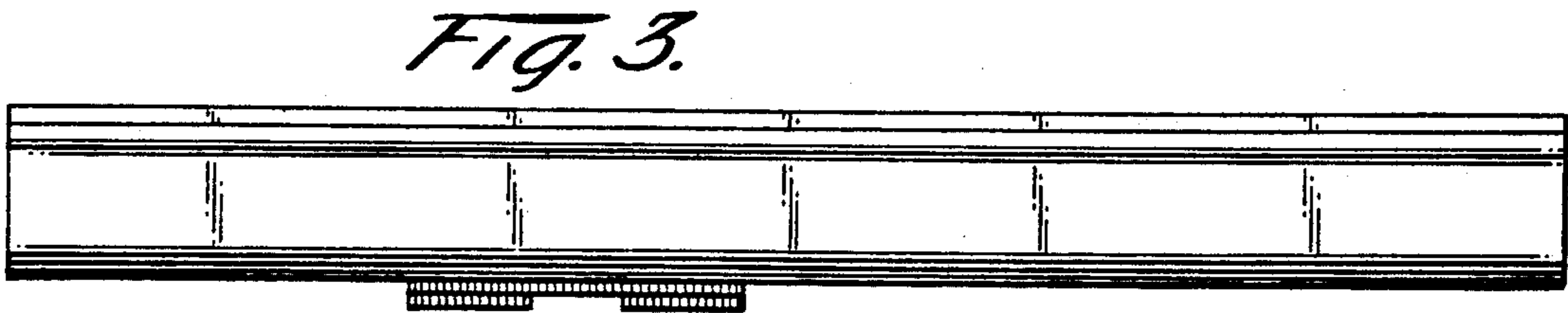
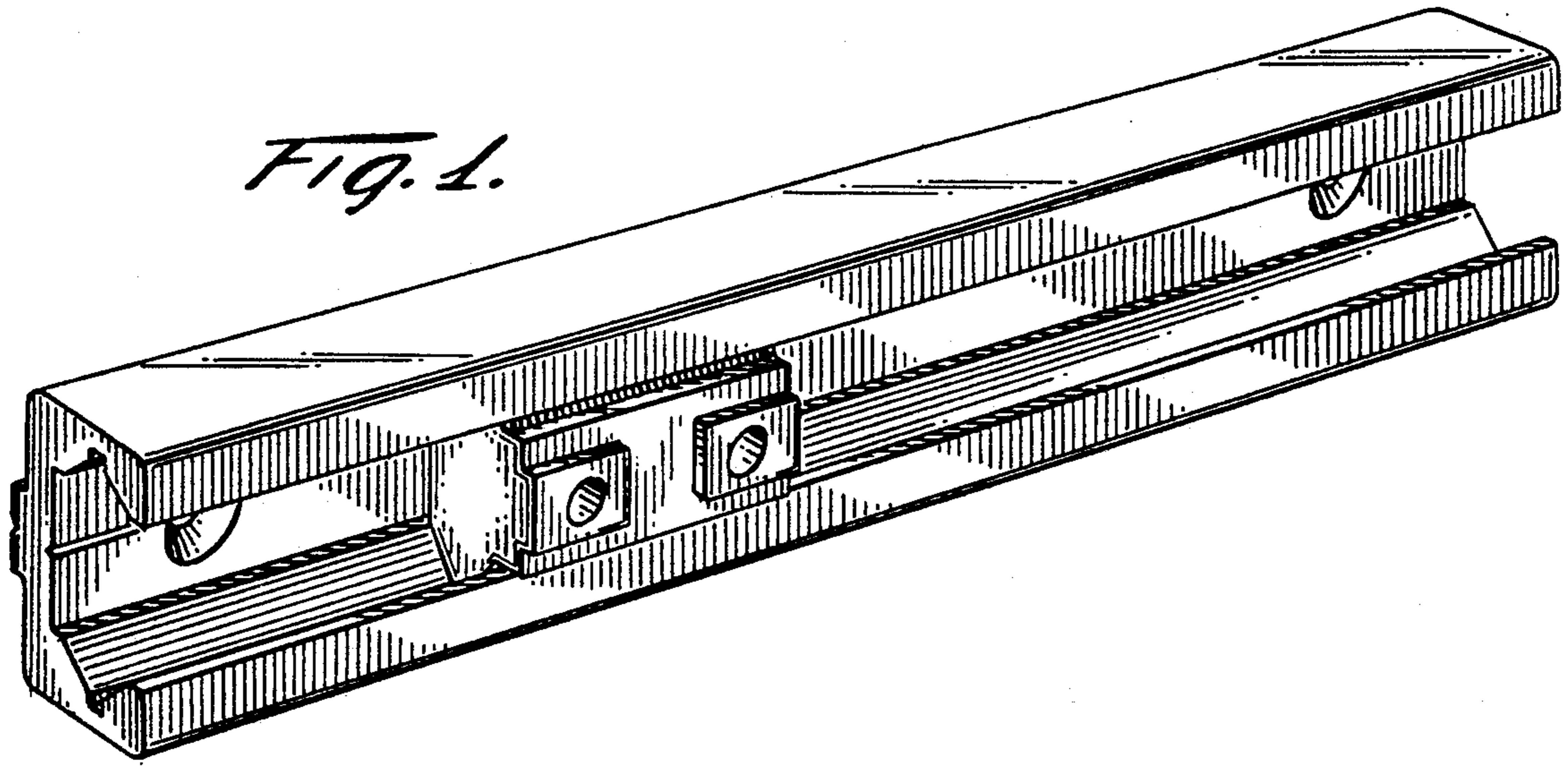
FIG. 2 is a front elevational view thereof;

FIG. 3 is a top plan view thereof with the bottom plan view being a mirror image;

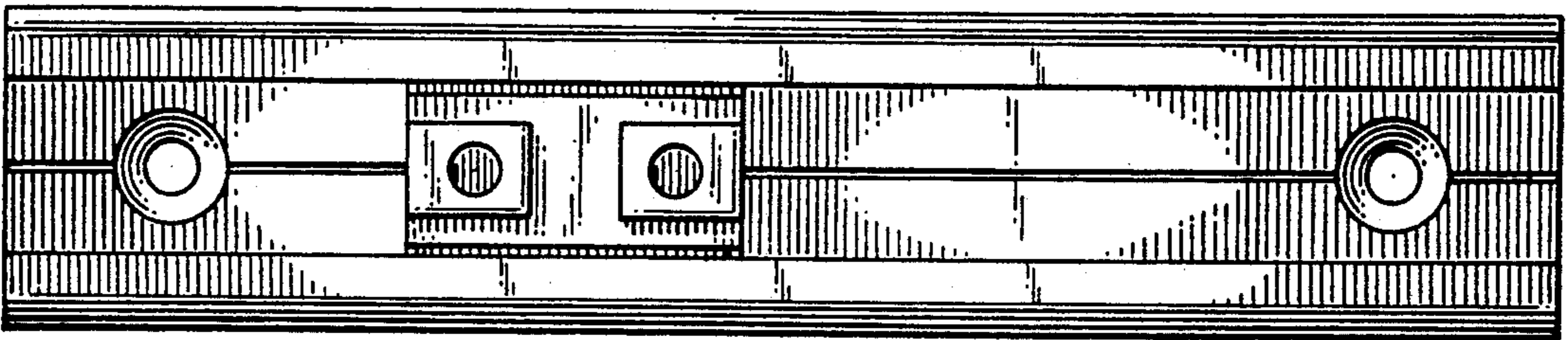
FIG. 4 is a rear elevational view thereof; and,

FIG. 5 is a left side elevational view thereof with the right side being a mirror image.

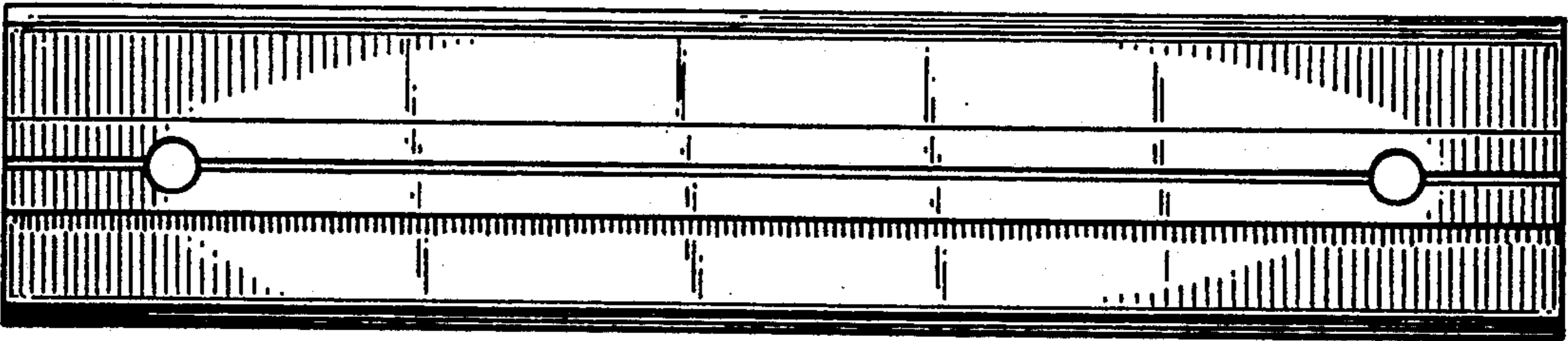




*Fig. 2.*



*Fig. 4.*



*Fig. 5.*

