



US00D325276S

# United States Patent [19]

[11] Patent Number: **Des. 325,276**

Manci

[45] Date of Patent: **\*\* Apr. 7, 1992**

## [54] VIBRATING HOIST

[75] Inventor: **Lewis H. Manci**, Spring, Tex.

[73] Assignee: **National Air Vibrator Company**,  
Houston, Tex.

[\*\*] Term: **14 Years**

[21] Appl. No.: **312,968**

[22] Filed: **Feb. 21, 1989**

[52] U.S. Cl. .... **D34/33**

[58] Field of Search ..... **D34/33; 212/134;**  
**254/360**

## OTHER PUBLICATIONS

The Lowery Co. Brochure, Jul. 20, 1949, p. 4, Electric Hoist, Nos. 1-6, top of page.

*Primary Examiner*—Wallace R. Burke  
*Assistant Examiner*—Holly H. Baynham  
*Attorney, Agent, or Firm*—Michael Sand Co.

## [57] CLAIM

The ornamental design for a vibrating hoist, as shown and described.

## DESCRIPTION

FIG. 1 is a front elevational view of a vibrating hoist showing my new design;

FIG. 2 is a right side elevational view thereof;

FIG. 3 is a rear elevational view thereof;

FIG. 4 is a bottom plan view thereof;

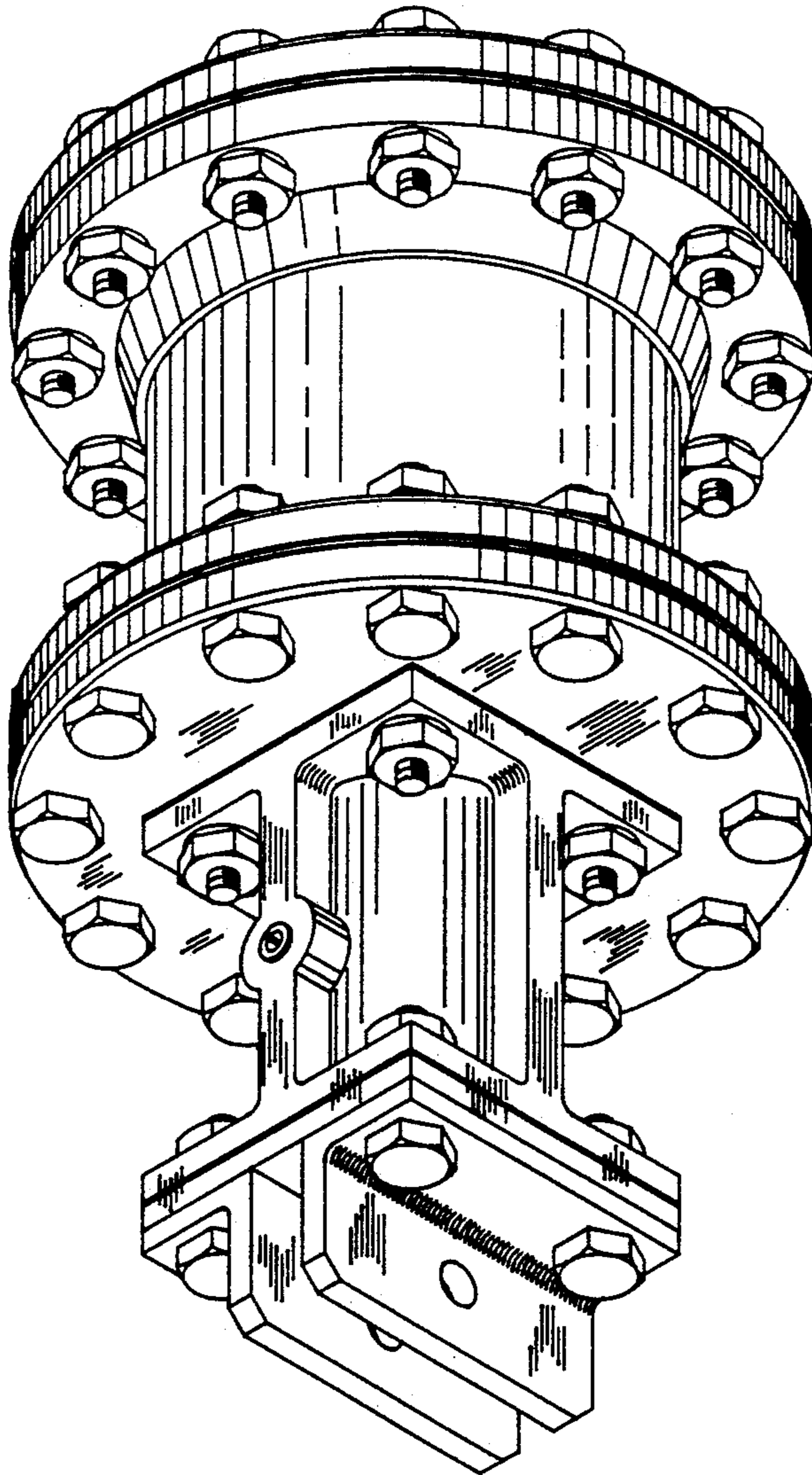
FIG. 5 is a top plan view thereof; and,

FIG. 6 is a bottom side perspective view thereof.

## [56] References Cited

### U.S. PATENT DOCUMENTS

D. 134,180	10/1942	Parker	.....	D34/33
D. 141,471	1/1945	Knutson	.....	D34/33
3,526,388	9/1970	Geiger et al.	.....	212/134 X
3,876,182	4/1975	Hansson	.....	254/360



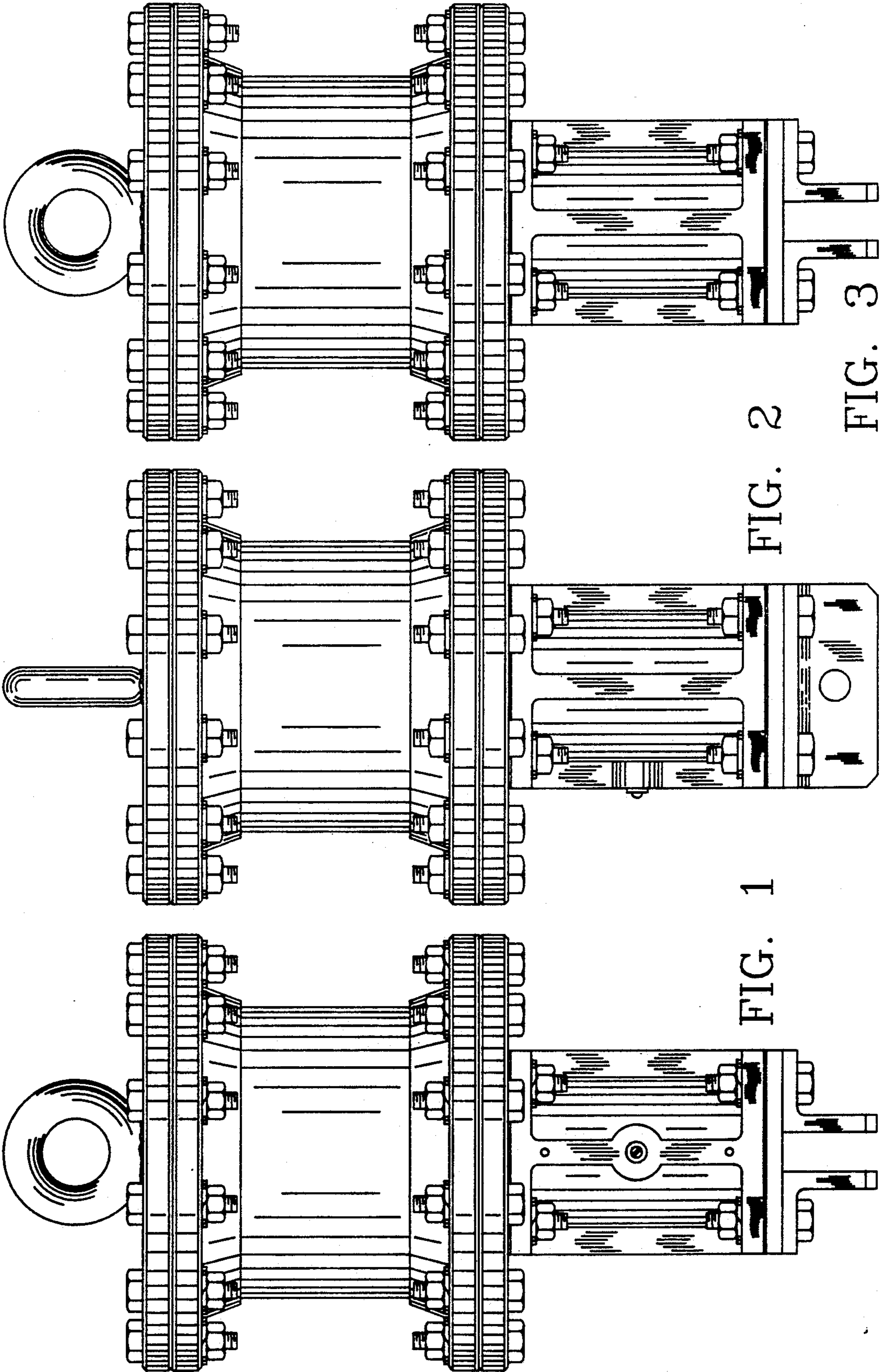


FIG. 1

FIG. 2

FIG. 3

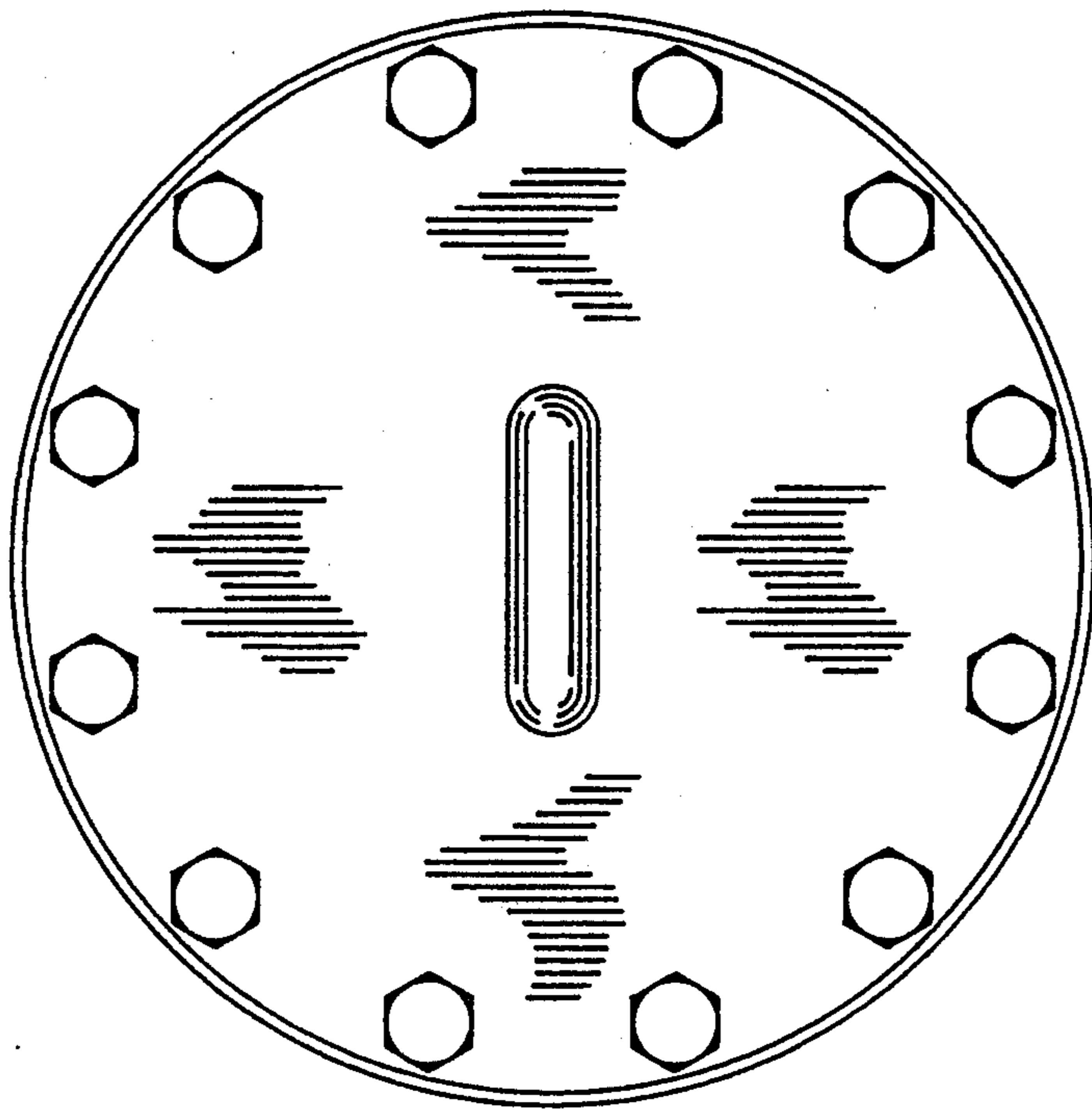


FIG. 5

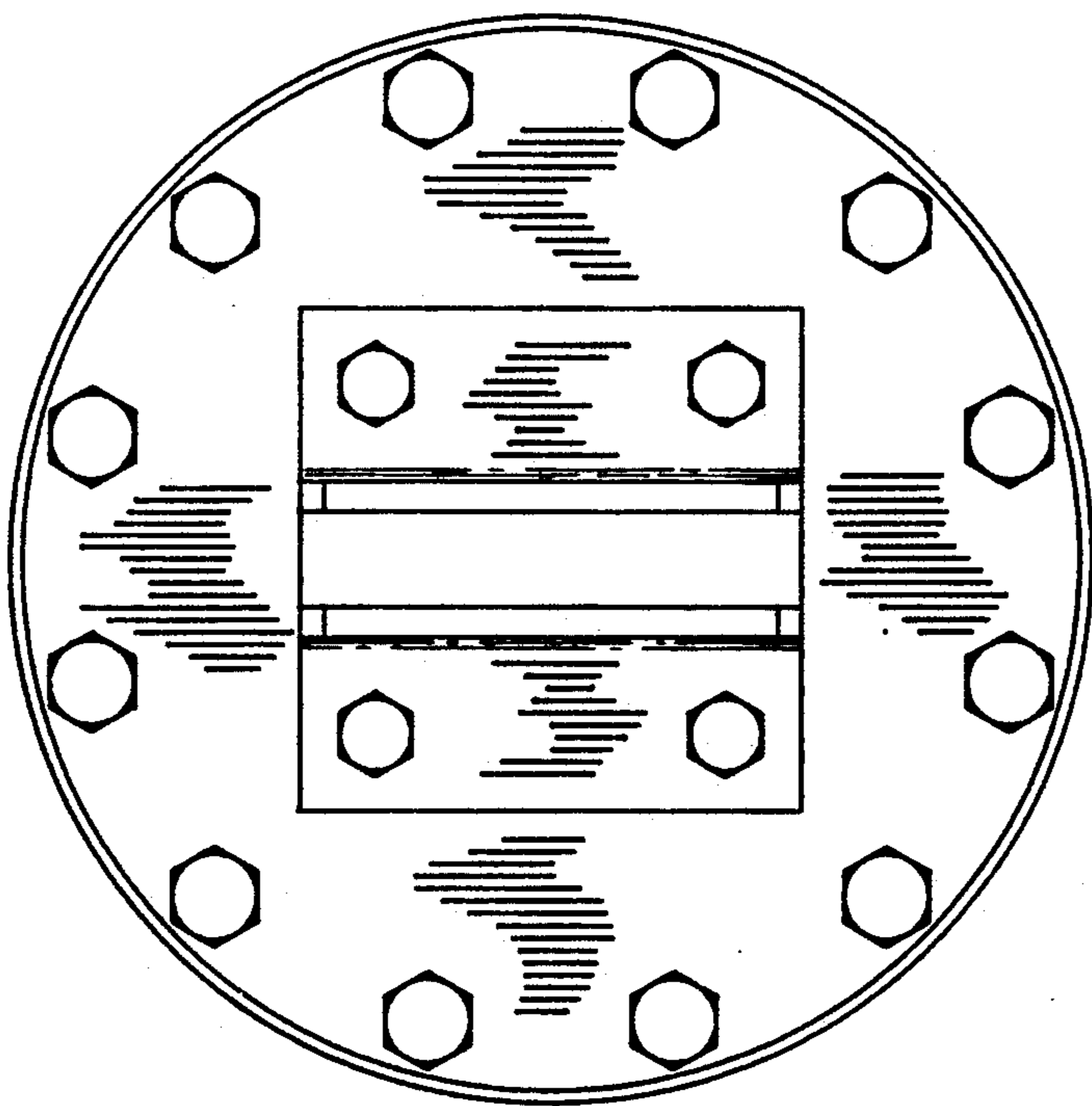


FIG. 4

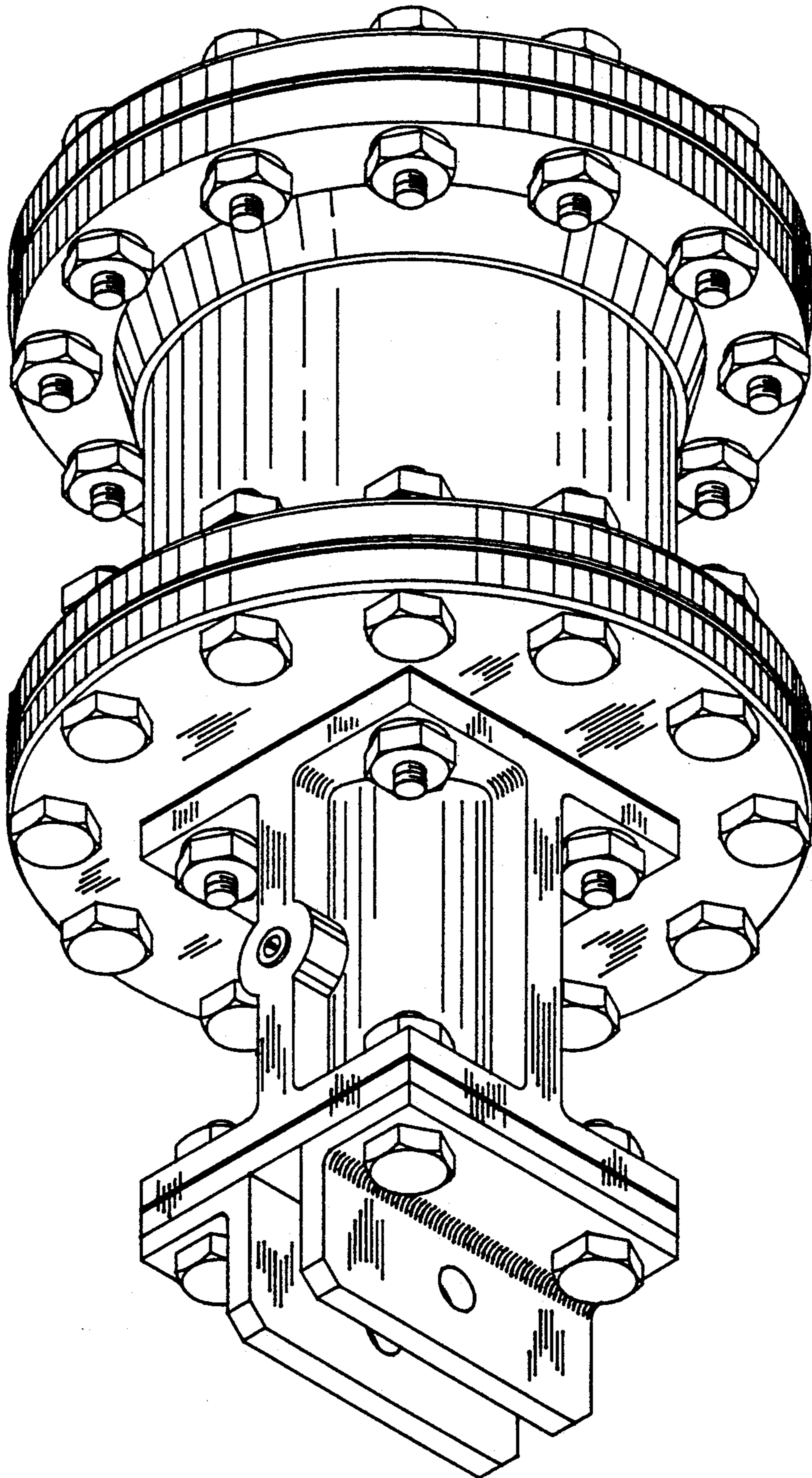


FIG. 6