



US00D325269S

# United States Patent [19]

[11] Patent Number: **Des. 325,269**

**Köhler**

[45] Date of Patent: **\*\* Apr. 7, 1992**

[54] **VACUUM CLEANER**

D. 297,475	8/1988	Umehara et al.	.....	D32/21
D. 297,871	9/1988	Slany et al.	.....	D32/21
D. 301,647	6/1989	Burns et al.	.....	D32/21

[75] Inventor: **Bernd Köhler, Hanau, Fed. Rep. of Germany**

*Primary Examiner—Louis S. Zarfes*  
*Assistant Examiner—Ruth McInroy*  
*Attorney, Agent, or Firm—Toren, McGeady & Associates*

[73] Assignee: **Rowenta-Werke GmbH, Offenbach am Main, Fed. Rep. of Germany**

[\*\*] Term: **14 Years**

[57] **CLAIM**

[21] Appl. No.: **694,028**

The ornamental design for a vacuum cleaner, as shown and described.

[22] Filed: **May 1, 1991**

[30] **Foreign Application Priority Data**

**DESCRIPTION**

Nov. 12, 1990 [DE] Fed. Rep. of Germany ..... 9007479

[52] U.S. Cl. .... **D32/21**

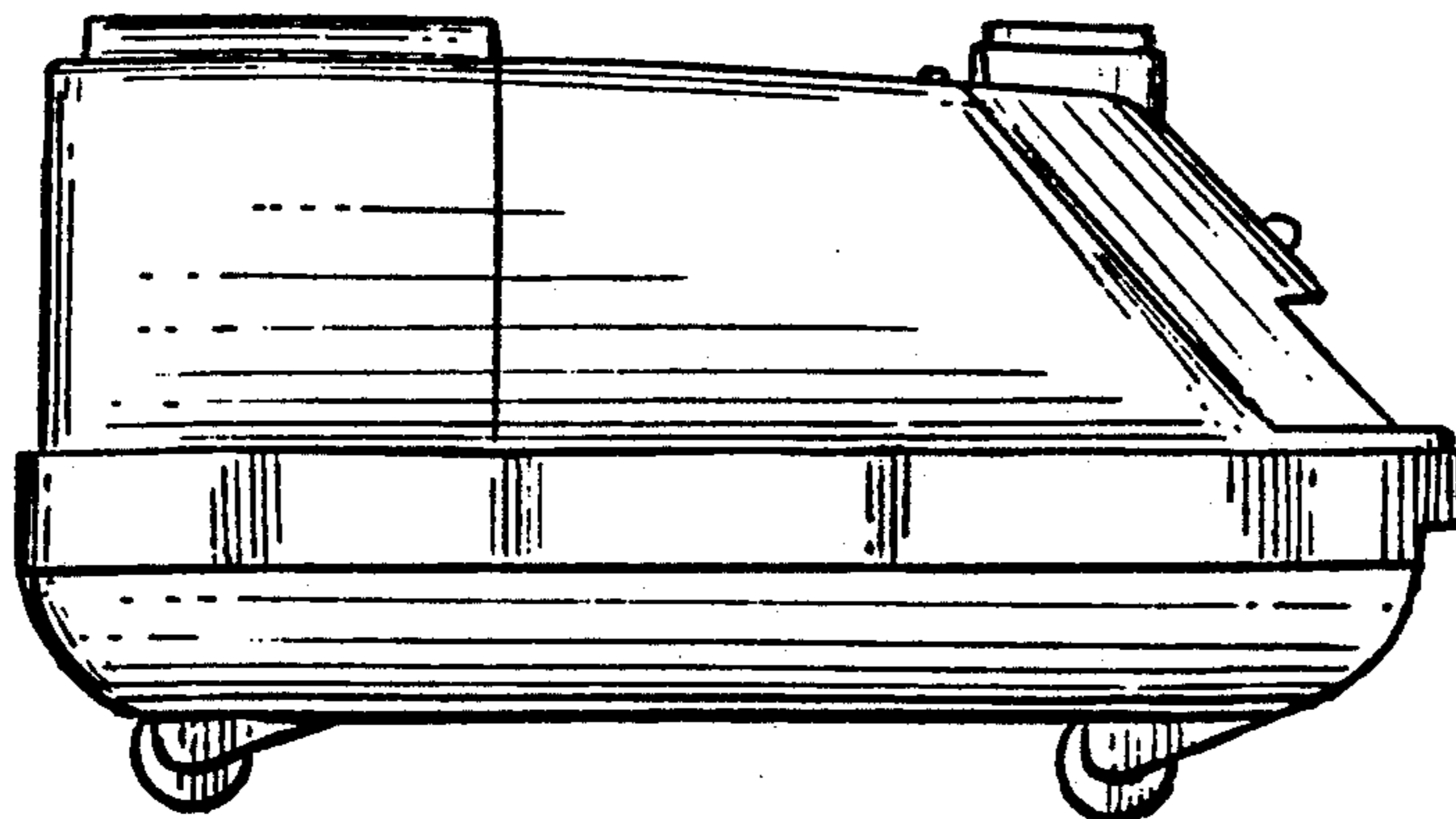
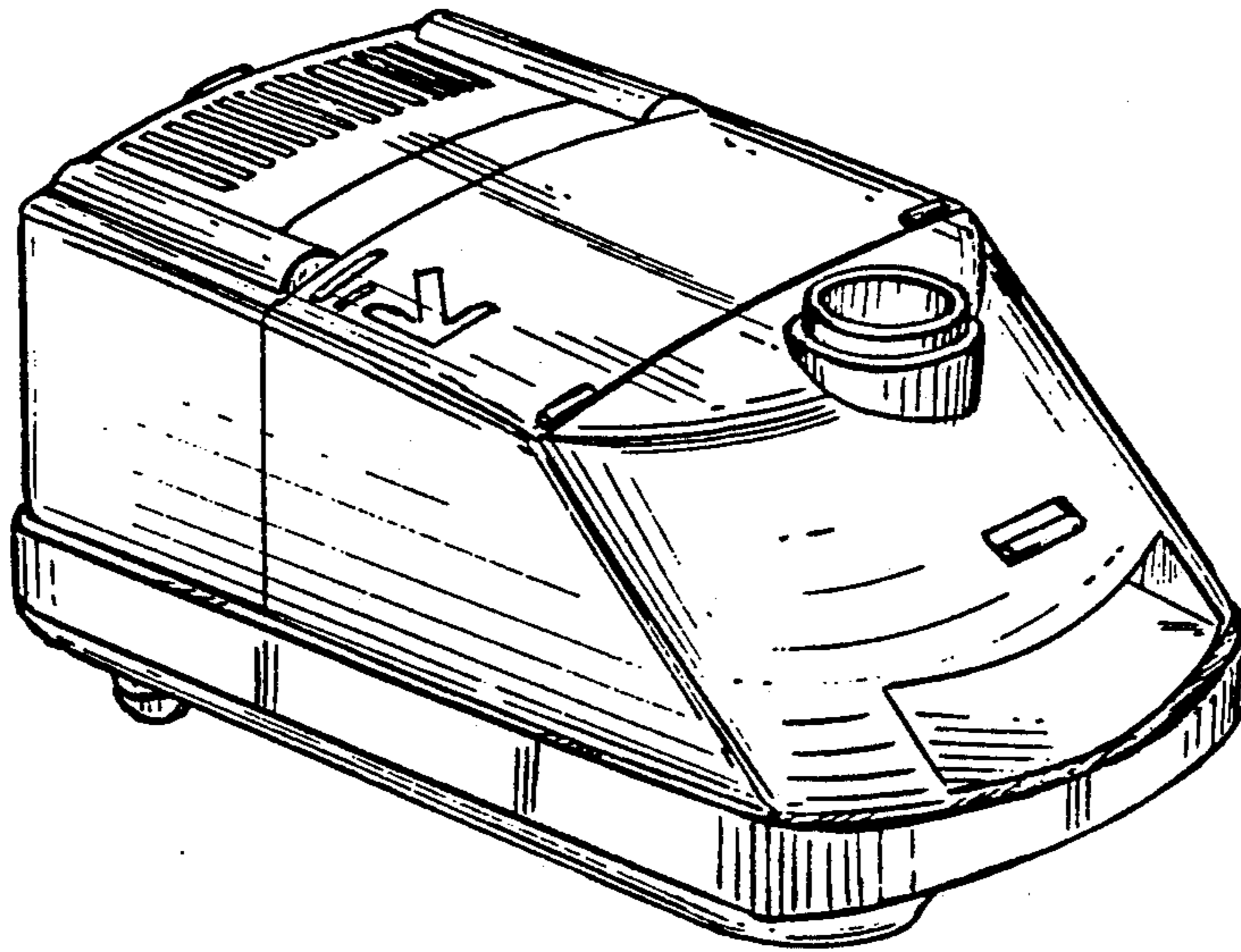
[58] Field of Search ..... **D32/23, 24; 15/412, 15/327.1, 327.2, 327.6, 327.7, 347**

**FIG. 1** is a front perspective view of a vacuum cleaner showing my new design;  
**FIG. 2** is a rear perspective view thereof;  
**FIG. 3** is a side elevational view thereof;  
**FIG. 4** is a front elevational view thereof;  
**FIG. 5** is a rear elevational view thereof;  
**FIG. 6** is a top plan view thereof; and,  
**FIG. 7** is a bottom plan view thereof.

[56] **References Cited**

**U.S. PATENT DOCUMENTS**

D. 289,213 4/1987 Perkins ..... D32/24



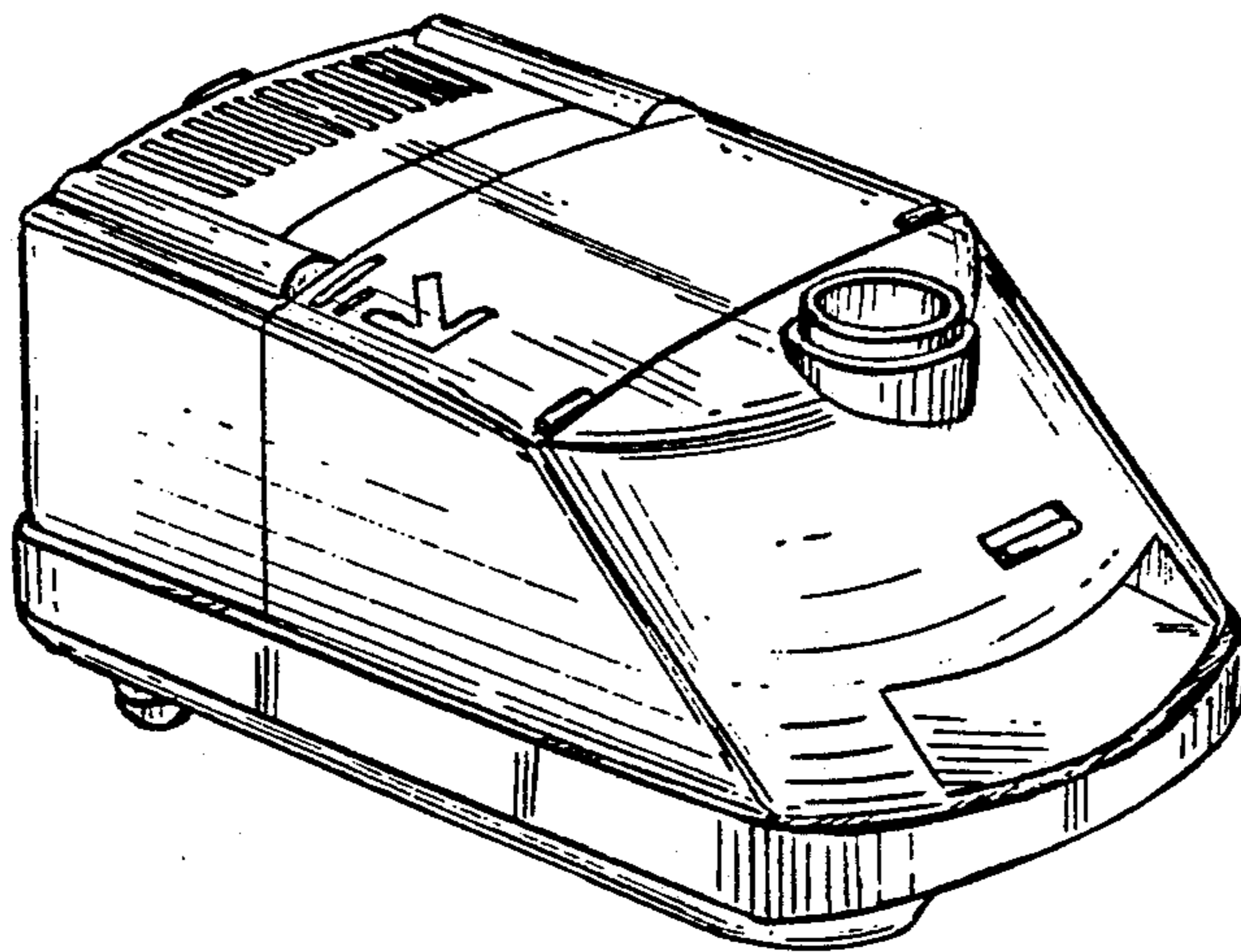


FIG. 1

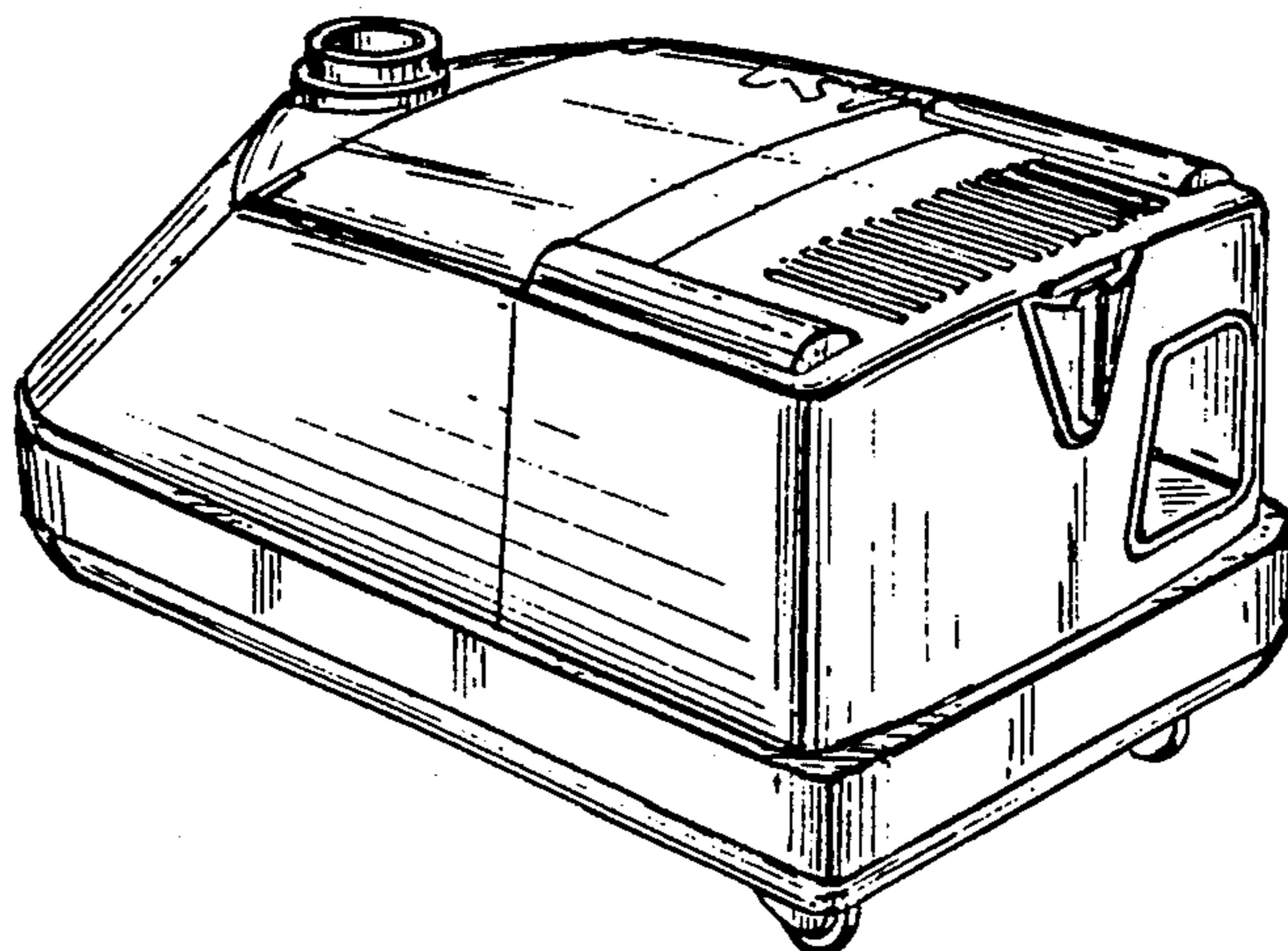


FIG. 2

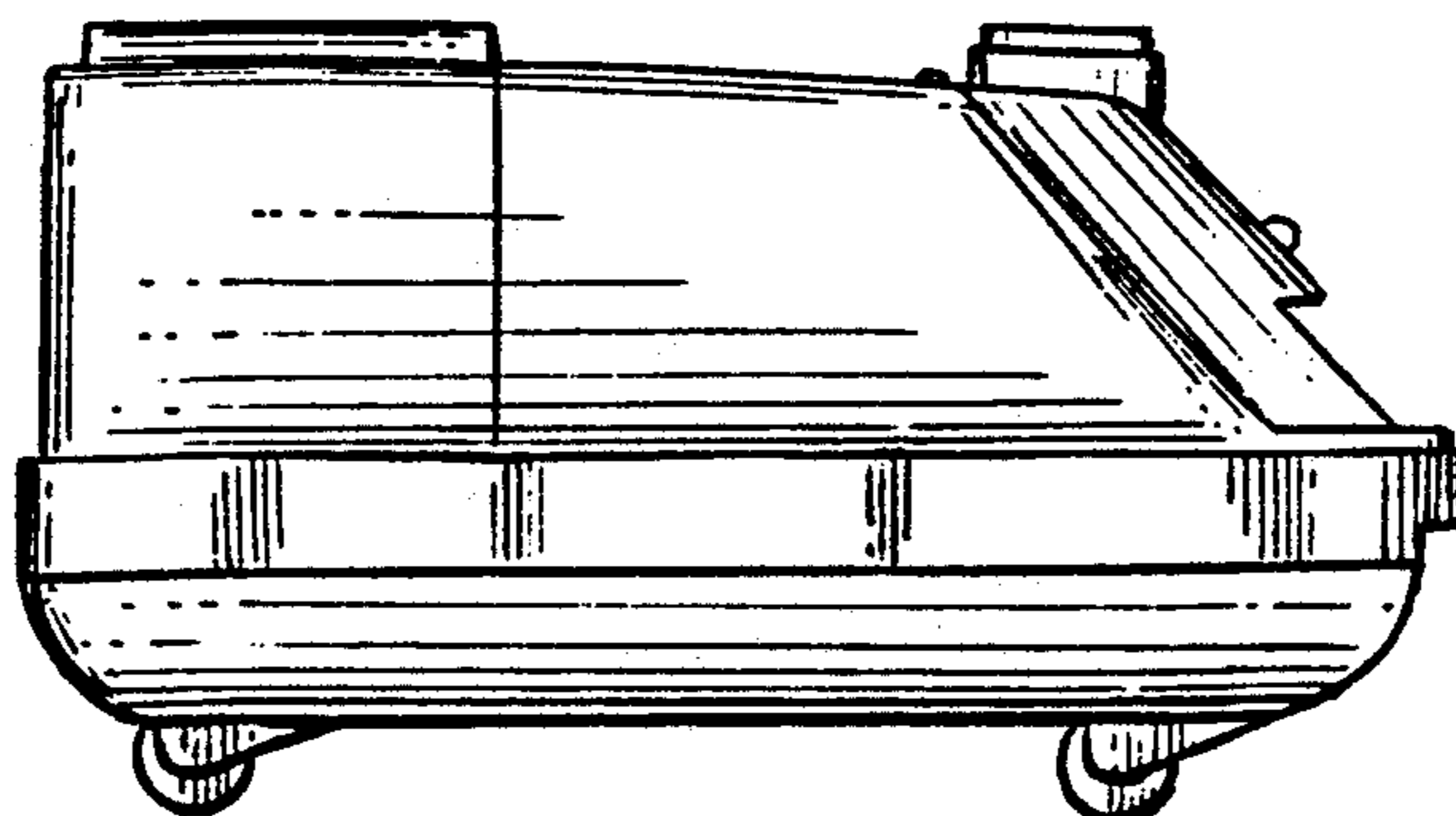


FIG. 3

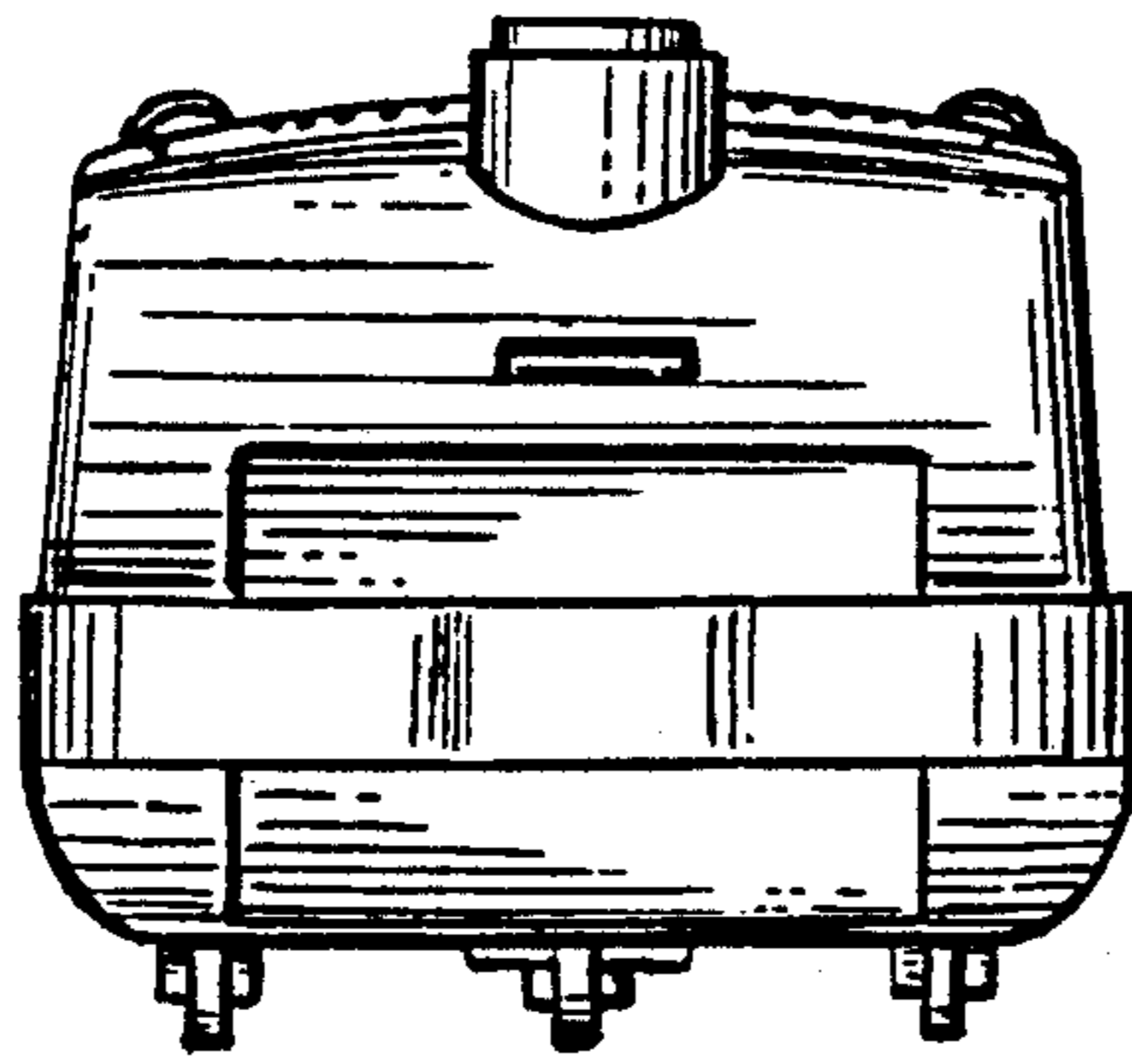


FIG. 4

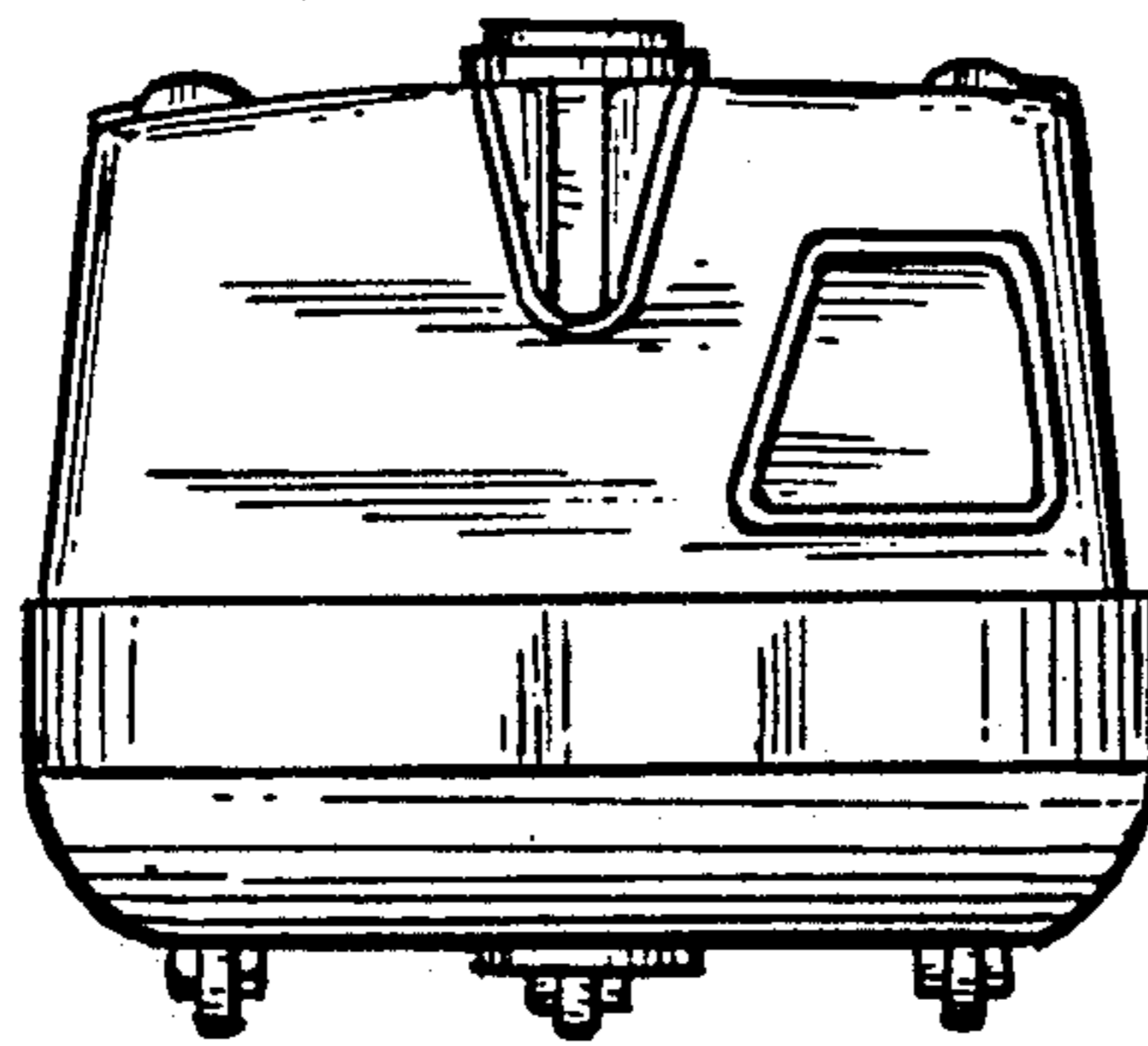


FIG. 5

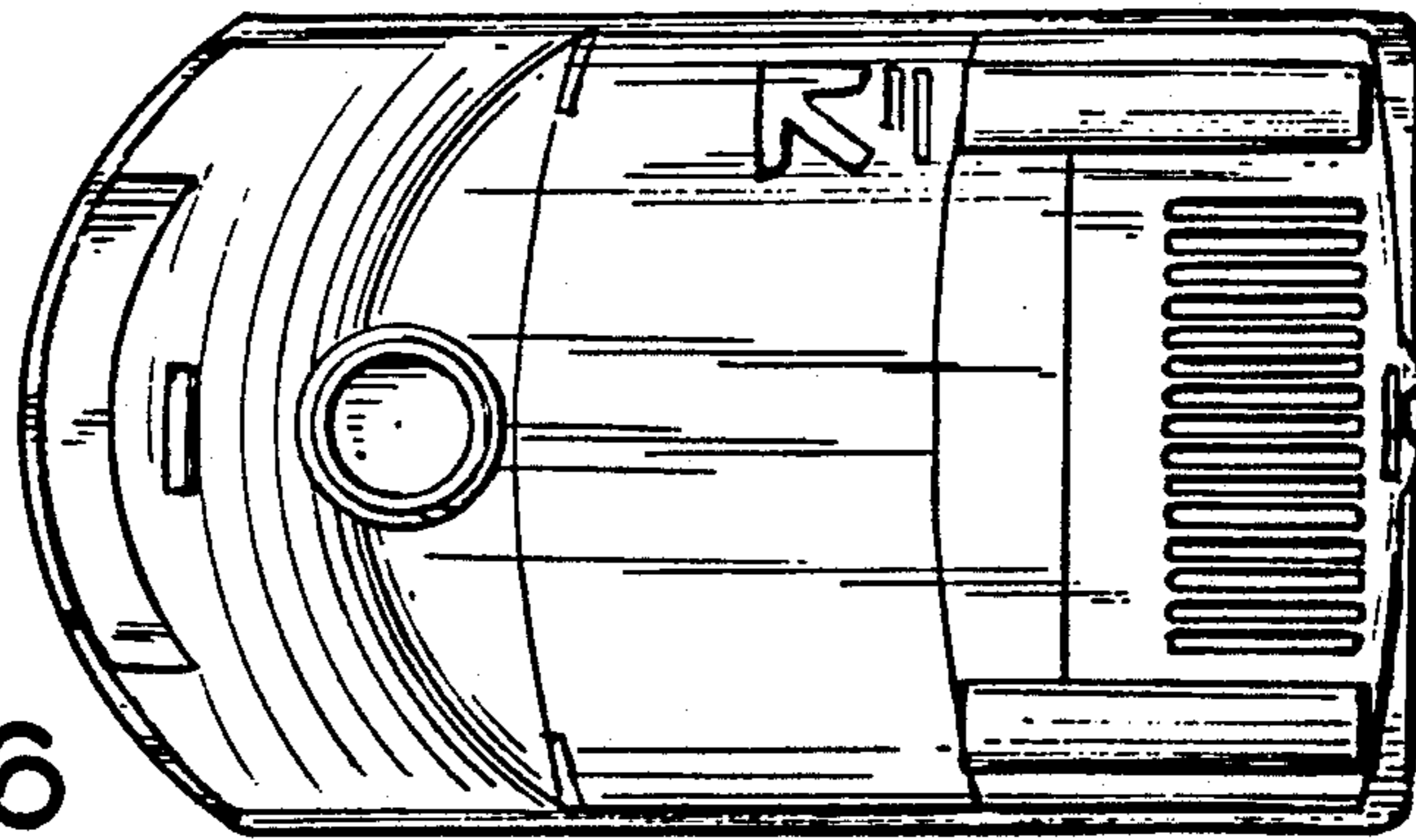


FIG. 6

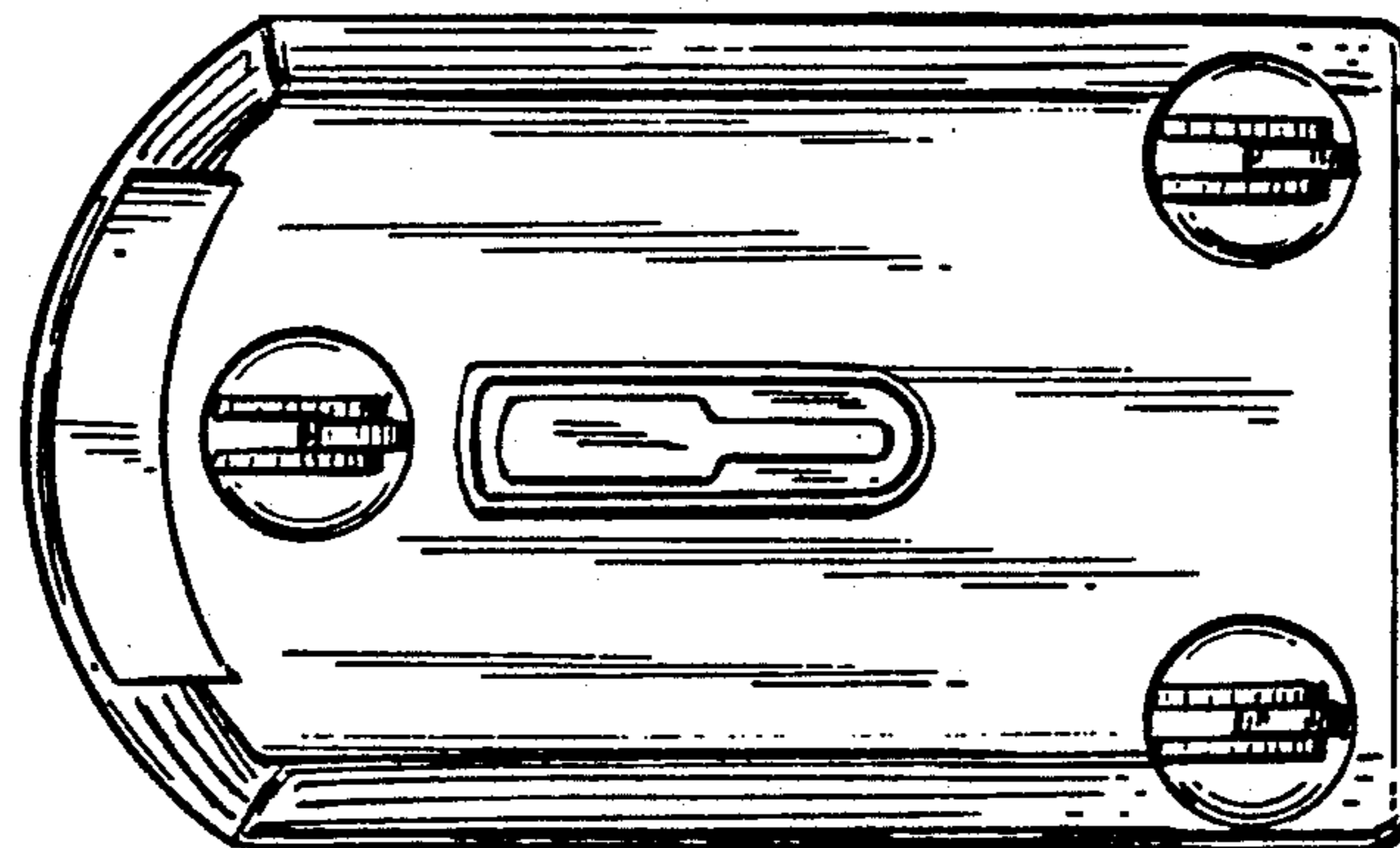


FIG. 7