



US00D325268S

United States Patent [19]

[11] Patent Number: **Des. 325,268**

Wittick et al.

[45] Date of Patent: **** Apr. 7, 1992**

[54] **ANIMAL EAR TAG**
[75] Inventors: **William G. Wittick, La Canada;**
Richard W. Bannon, Agoura, both of
Calif.

4,718,374 1/1988 Hayes 119/156
4,750,284 6/1988 Parry et al. 119/156
4,920,671 5/1990 Zatkos 40/301

[73] Assignee: **Allflex New Zealand Limited,**
Palmerston North, New Zealand

FOREIGN PATENT DOCUMENTS

1404528 5/1964 France 24/90 R
8800545 10/1989 Netherlands 40/301
1320454 6/1973 United Kingdom 40/300
1372769 11/1974 United Kingdom 40/300

[**] Term: **14 Years**

OTHER PUBLICATIONS

[21] Appl. No.: **116,267**

Omaha Vaccine Company Catalog; 1985; rear cover,
middle row-permethrin Ear Tag, top page.
Omaha Vaccine Comp. Catalog; 1985; Rear Cover,
First Row-Ectrin Ear Tague.

[22] Filed: **Nov. 2, 1987**

[52] U.S. Cl. **D30/155**

[58] Field of Search **D30/155, 151, 155, 144;**
24/70, 245; 40/2, 300, 303, 301, 302; 119/156.3,
156, 106; D20/22, 23, 27, 29

Primary Examiner—A. Hugo Word
Assistant Examiner—Cathy Anne MacCormac
Attorney, Agent, or Firm—Blakely, Sokoloff, Taylor &
Zafman

[56] References Cited

U.S. PATENT DOCUMENTS

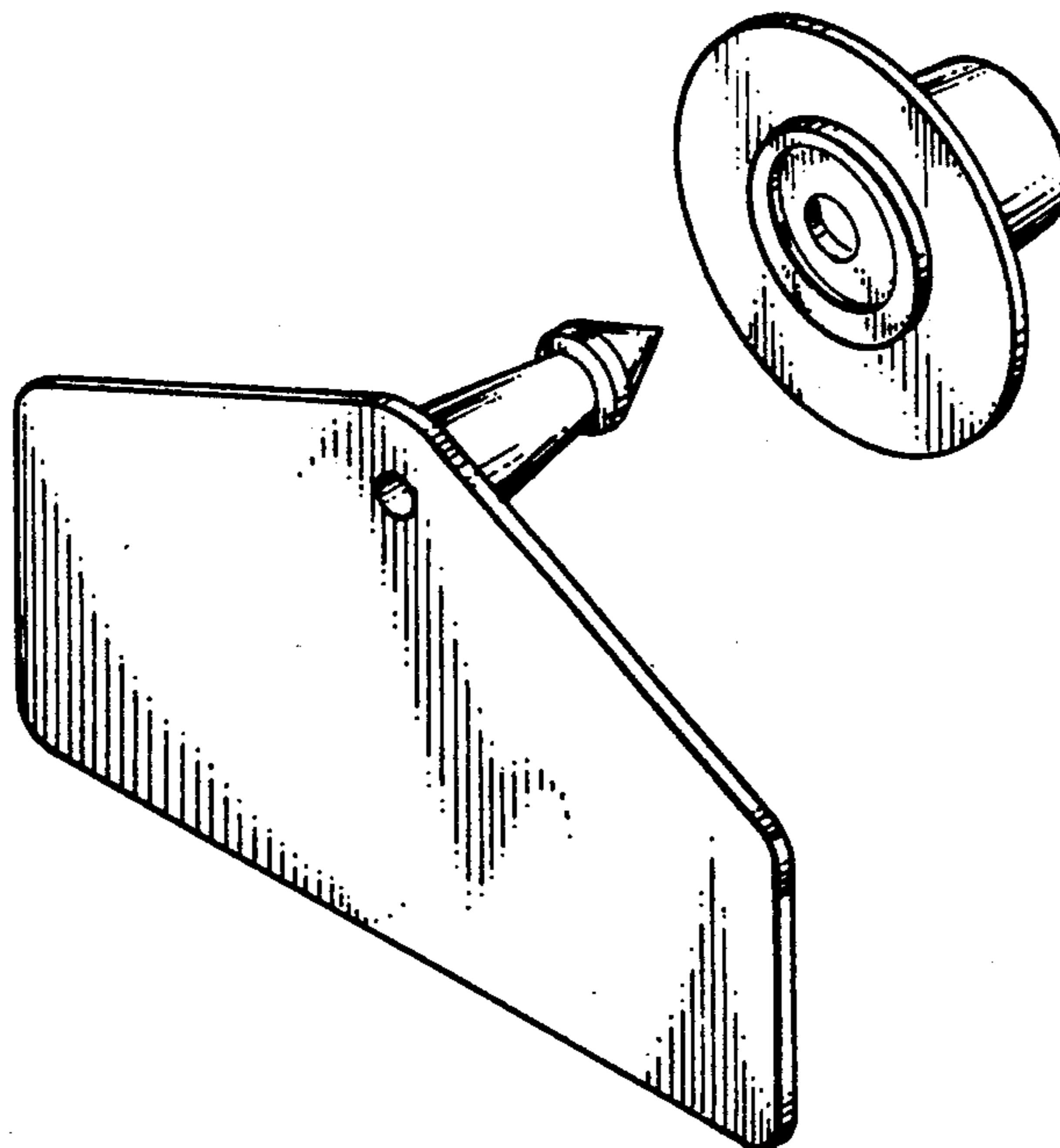
Re. 23,624 2/1953 Sutin 24/90 R
D. 59,029 9/1921 Norden D20/29
D. 88,708 12/1932 Gray D20/23
D. 241,539 9/1976 Iverson D20/22
D. 290,775 7/1987 Scott D30/155
3,360,877 1/1968 Estep D20/22
3,826,030 7/1974 Read D30/155 X
3,826,549 7/1974 Scholfield D20/22
3,934,368 1/1976 Fearing D30/155 X
3,958,353 5/1976 Hayes D30/155 X
4,059,074 11/1977 Fürer et al. 119/156
4,495,898 1/1985 Akhavein et al. 119/156
4,544,547 10/1985 von Bittera et al. 119/106
4,581,834 4/1986 Zatkos et al. 40/300
4,646,455 3/1987 Gardner 40/301
4,694,781 9/1987 Howe et al. 119/156

[57] CLAIM

The ornamental design for an animal ear tag, as shown
and described.

DESCRIPTION

FIG. 1 is an exploded perspective view of the male and
female components of an animal ear tag showing my
new design.
FIG. 2 is a right side elevational view thereof showing
the male and female components coupled together, the
left side being a mirror image of the right side shown;
FIG. 3 is a rear elevational view of FIG. 2;
FIG. 4 is a front elevational view of FIG. 3;
FIG. 5 is a top plan view of FIG. 2; and,
FIG. 6 is a bottom plan view of FIG. 2.



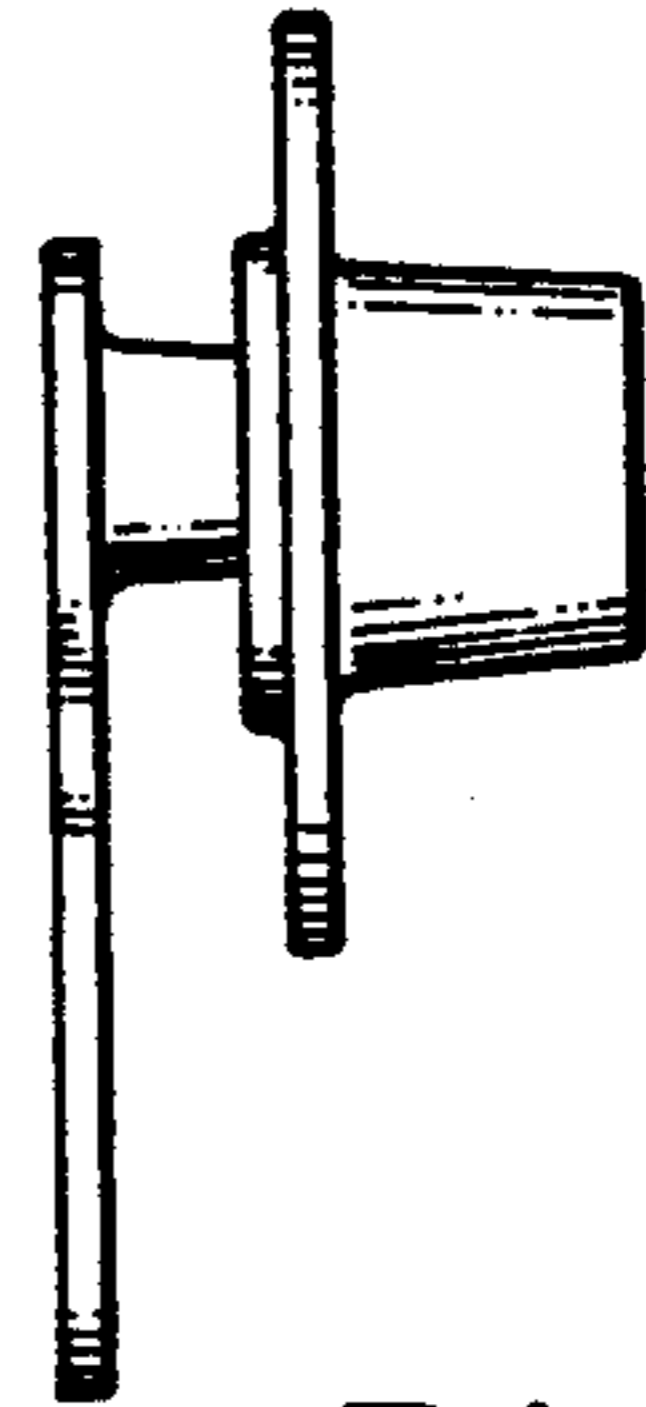
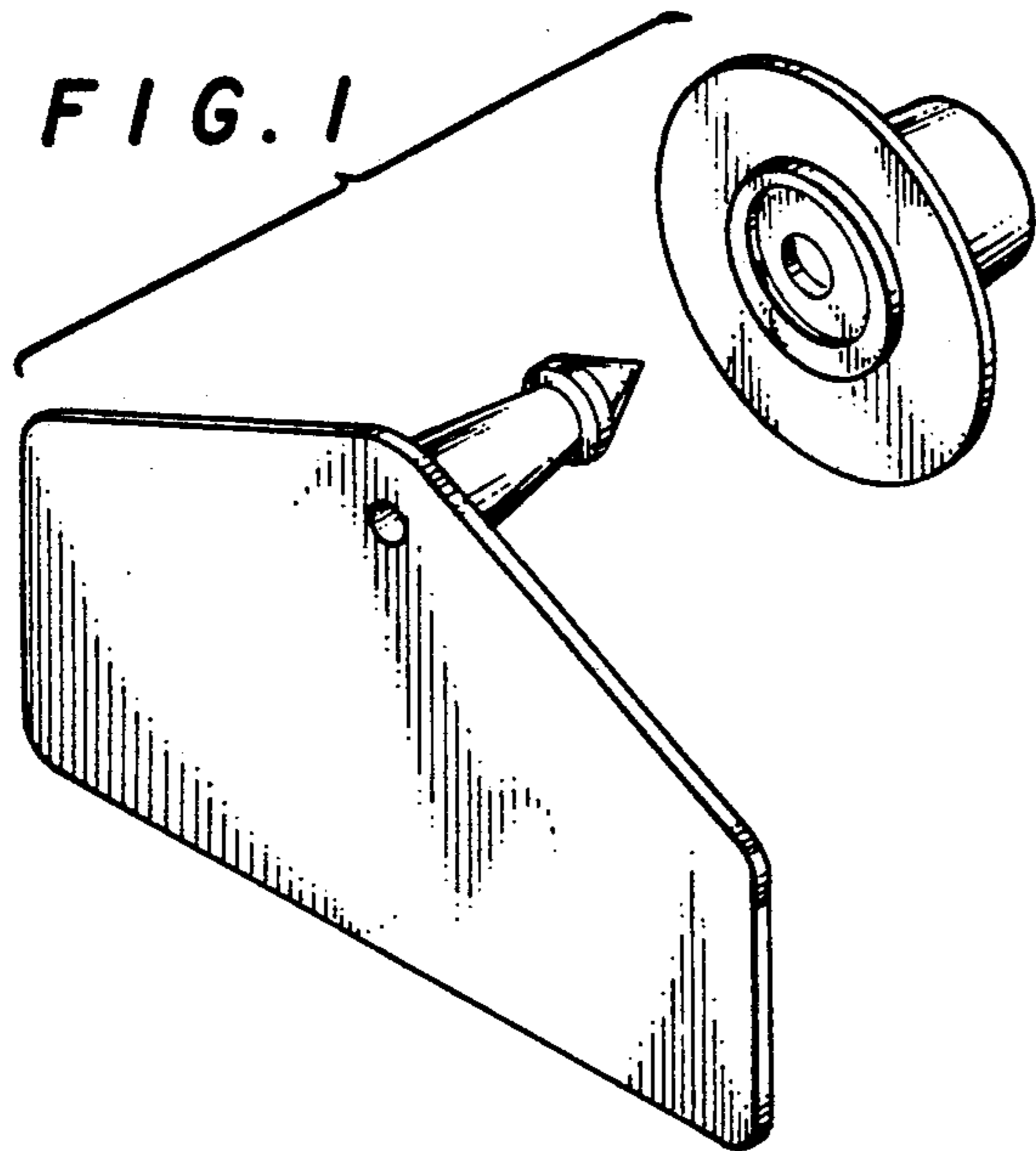


FIG. 2

FIG. 5

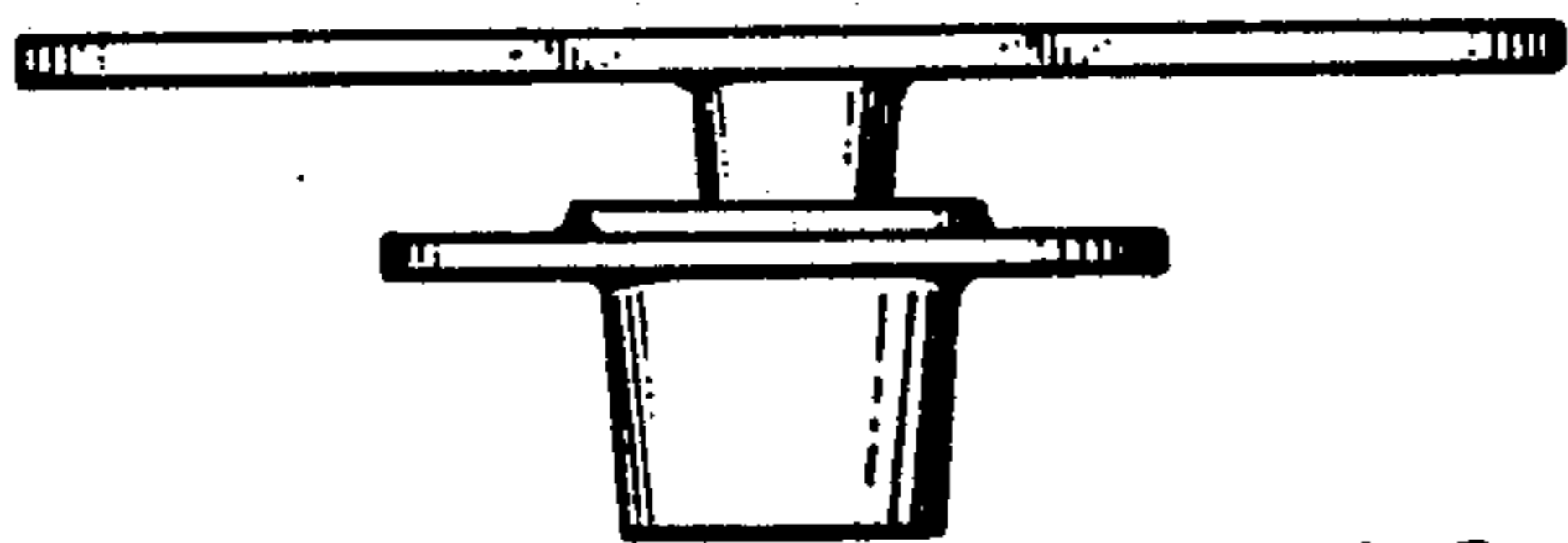
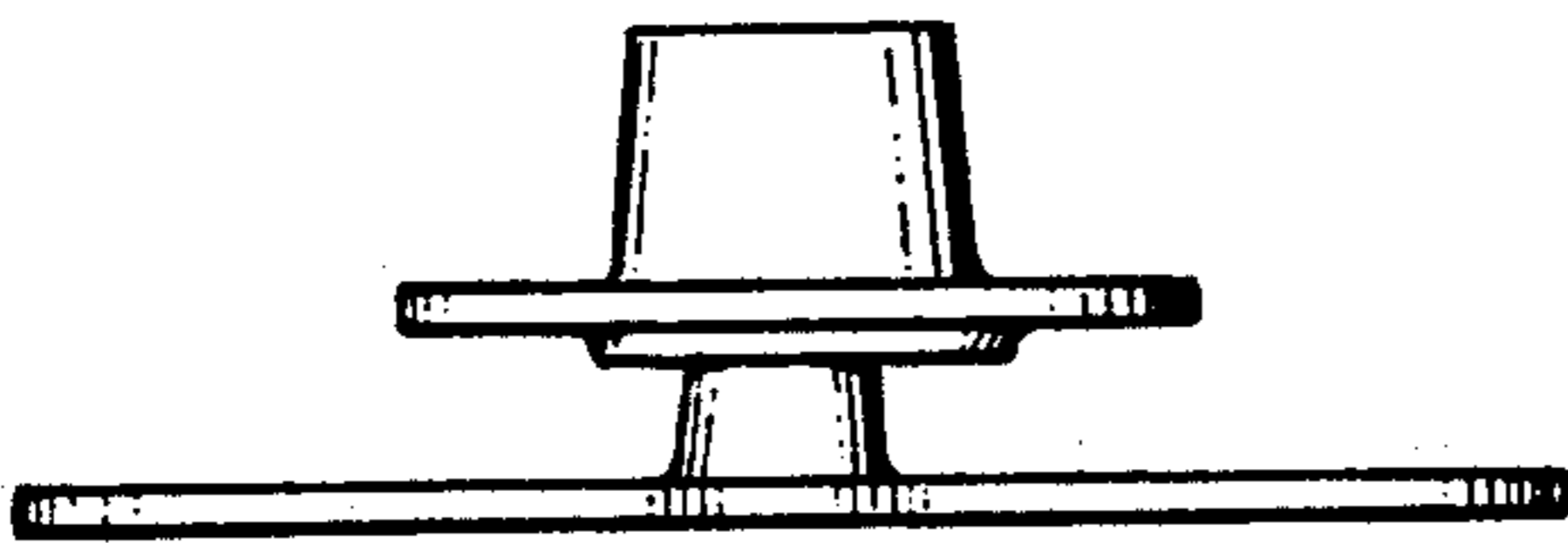


FIG. 6

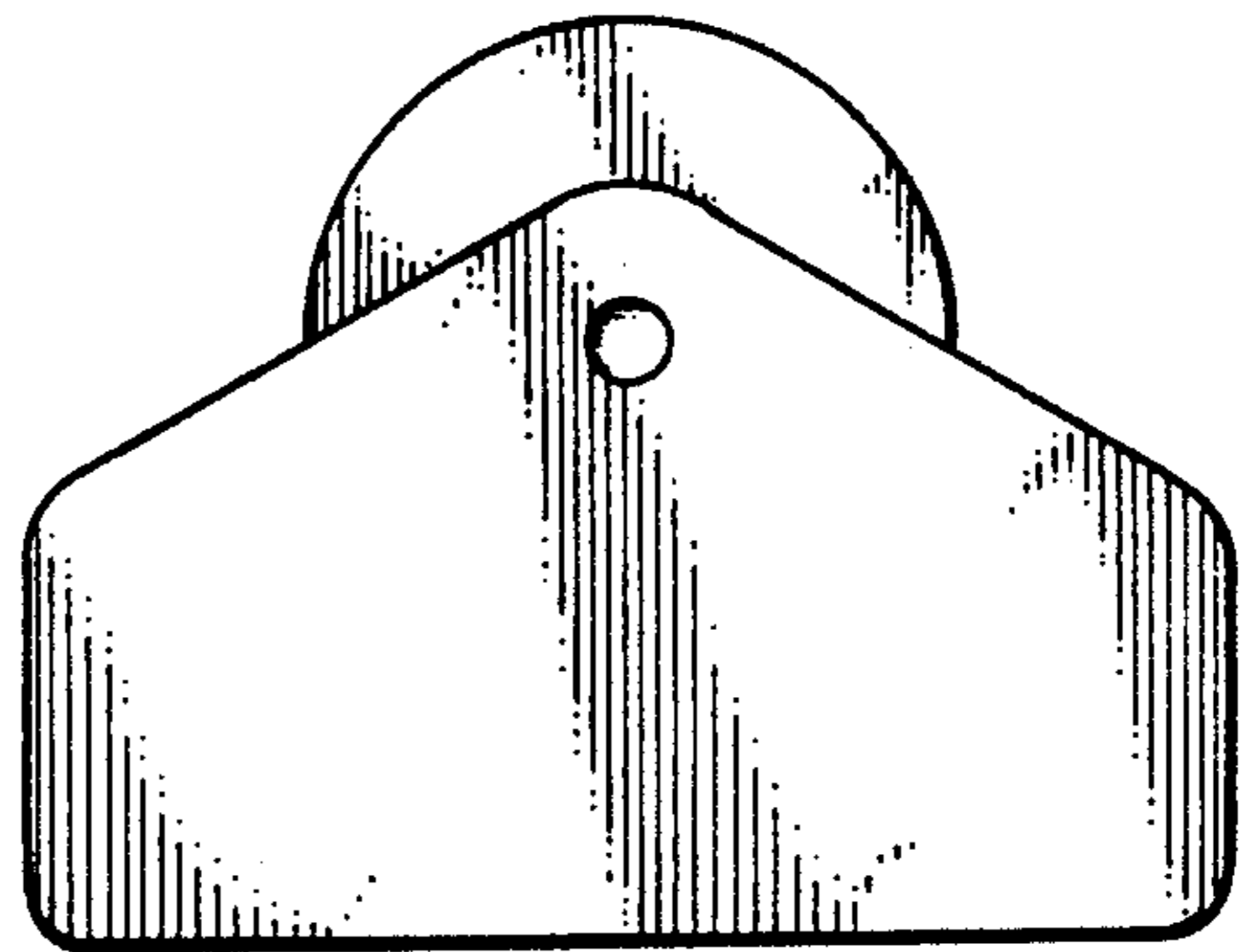


FIG. 3

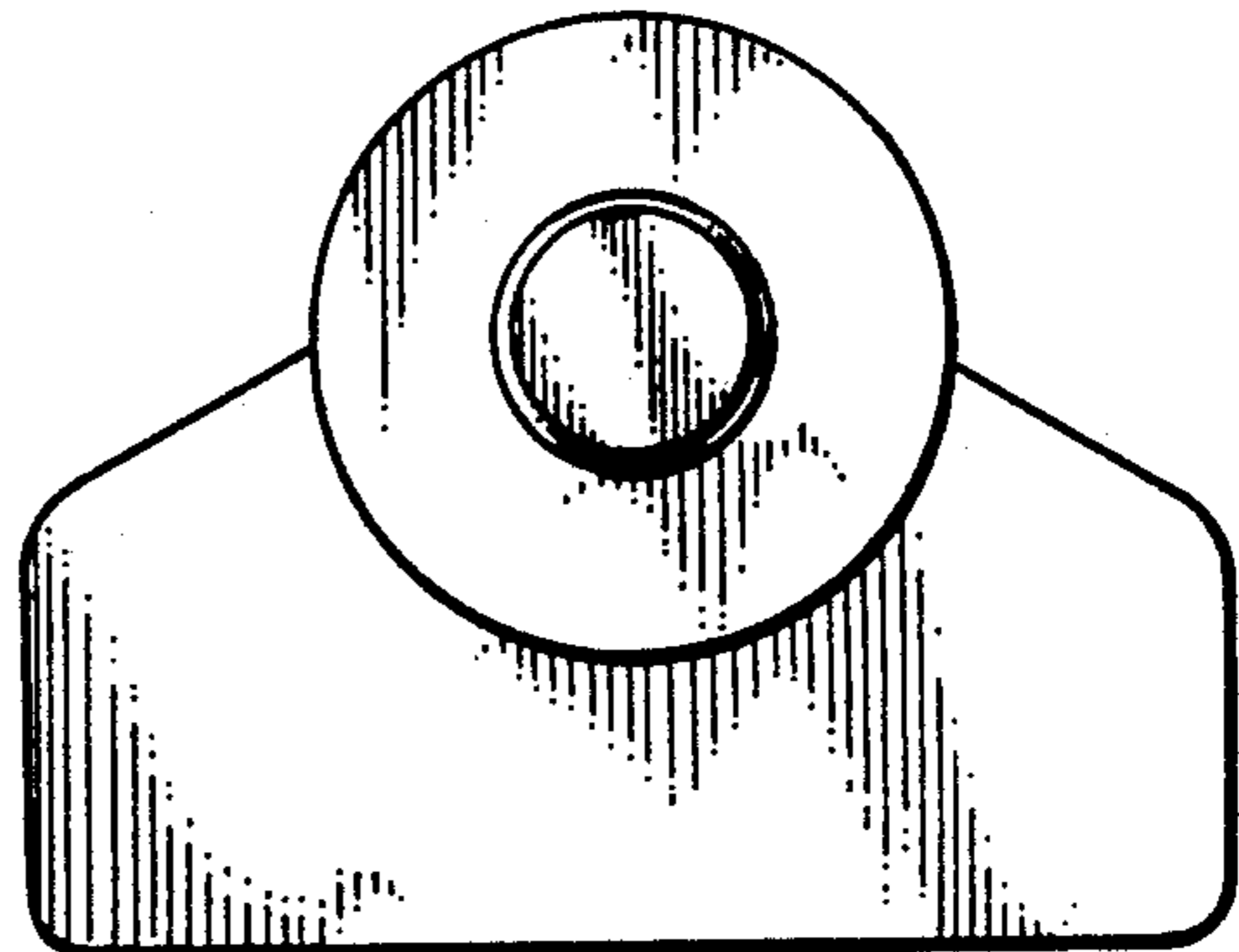


FIG. 4