



US00D325266S

# United States Patent [19]

[11] Patent Number: **Des. 325,266**

**Pouilloux**

[45] Date of Patent: **\*\* Apr. 7, 1992**

[54] **SKI MASK**

D. 2,603,785 7/1952 Splaine ..... 2/445  
2,625,685 1/1953 Moeller ..... 2/441

[75] Inventor: **Roger Pouilloux, Neuilly sur Seine, France**

### FOREIGN PATENT DOCUMENTS

[73] Assignee: **Sporoptic Pouilloux S.A., Paris, France**

3046046 7/1982 Fed. Rep. of Germany ..... 2/436  
3400494 7/1984 Fed. Rep. of Germany ..... 2/426

[\*\*] Term: **14 Years**

*Primary Examiner*—Susan J. Lucas  
*Assistant Examiner*—Clare E. Heflin  
*Attorney, Agent, or Firm*—Kuhn and Muller

[21] Appl. No.: **788,334**

[22] Filed: **Oct. 17, 1985**

### [57] CLAIM

### [30] Foreign Application Priority Data

May 15, 1985 [FR] France ..... 852.280

The ornamental design for a ski mask, as shown and described.

[52] U.S. Cl. .... **D29/9; D16/107**

### DESCRIPTION

[58] Field of Search ..... **D29/9, 18; D16/102, D16/107; D2/234; 2/12, 13, 15, 426-454**

**FIG. 1** is a perspective view of the ski mask showing my new design;

### [56] References Cited

#### U.S. PATENT DOCUMENTS

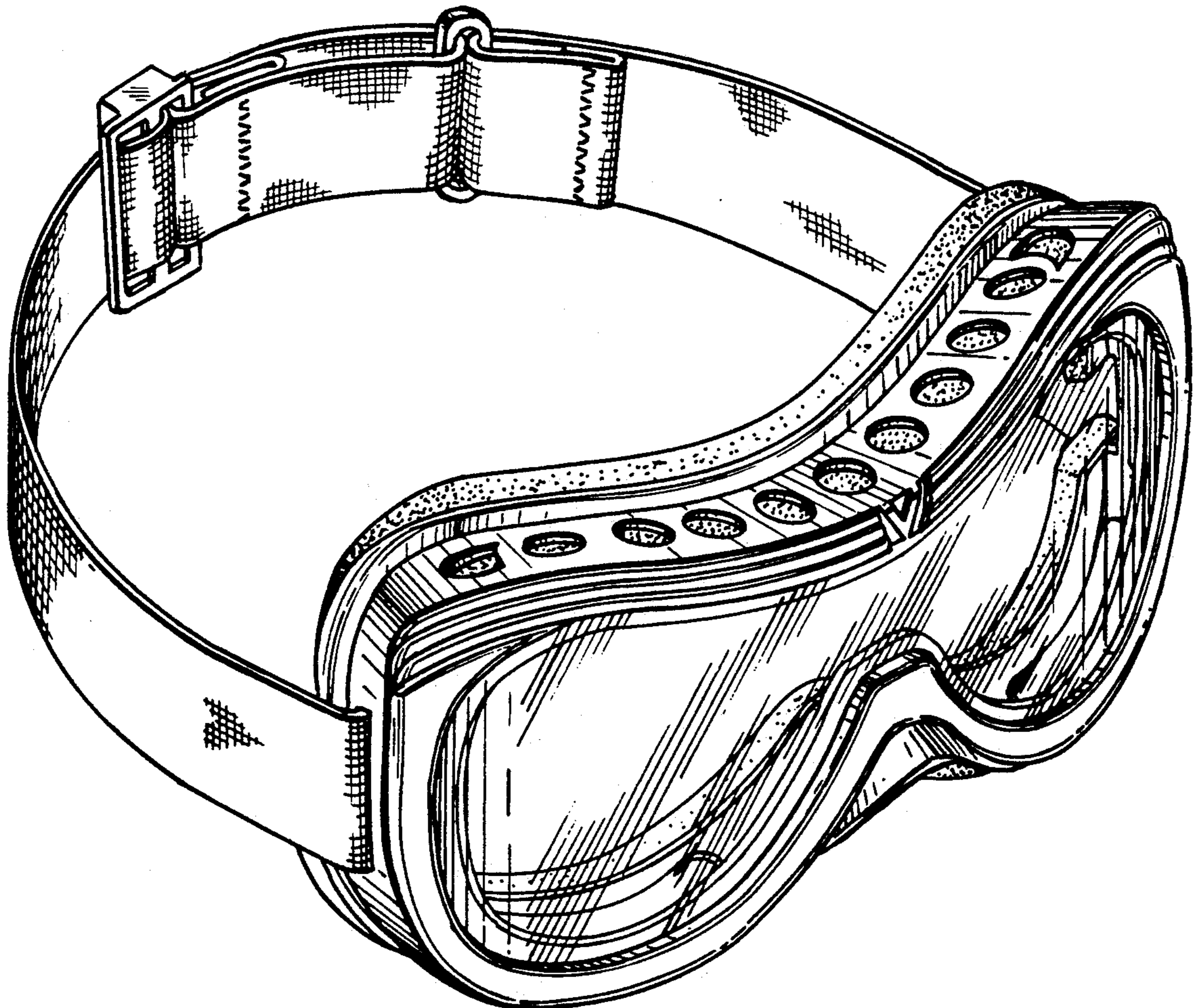
D. 223,983 6/1972 Schauweker ..... D16/107

**FIG. 2** is a reduced top plan view thereof;

**FIG. 3** is a reduced side elevational view thereof;

**FIG. 4** is a reduced rear elevational view thereof; and,

**FIG. 5** is a reduced bottom plan view thereof.



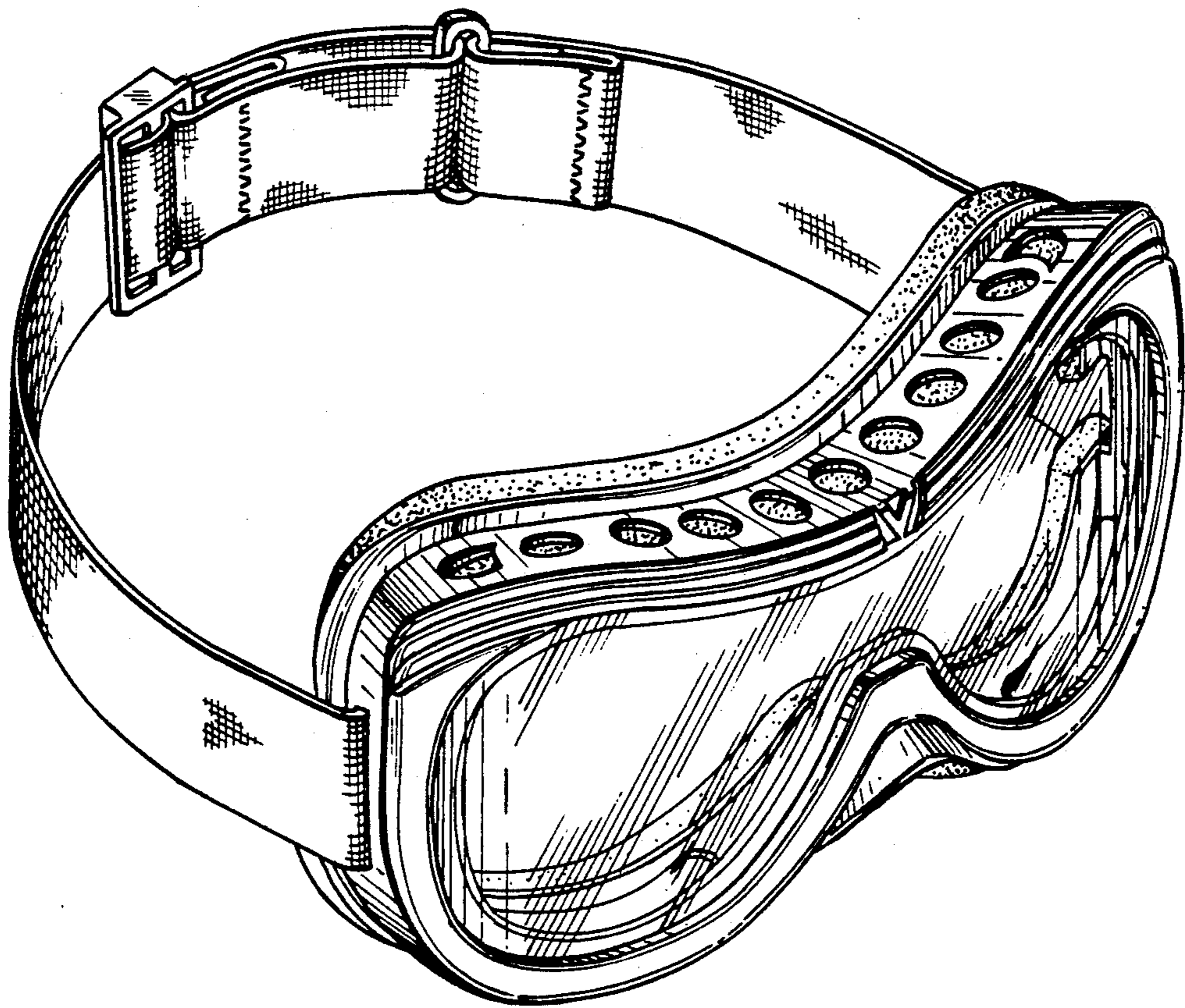


FIG. 1

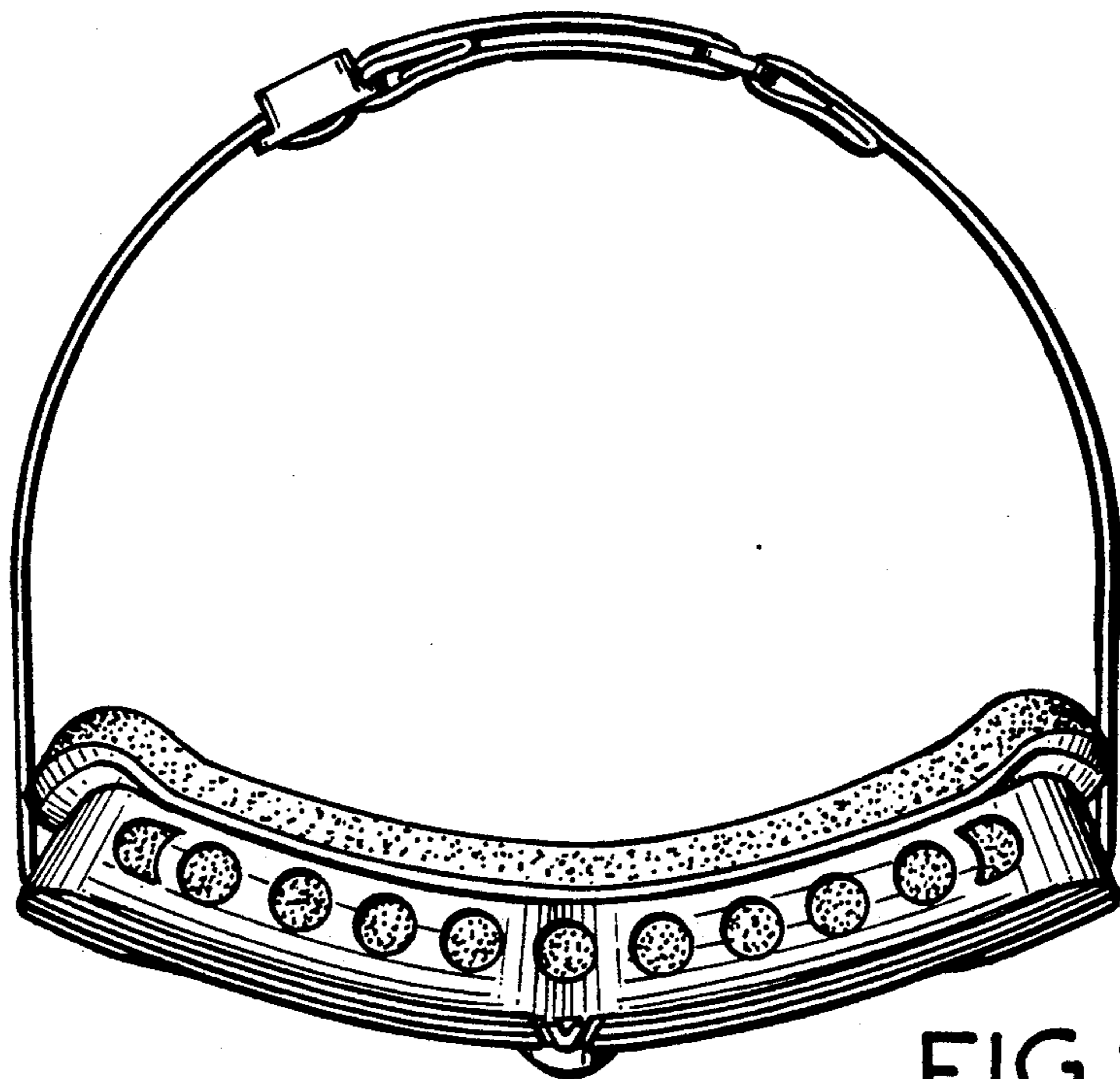


FIG. 2

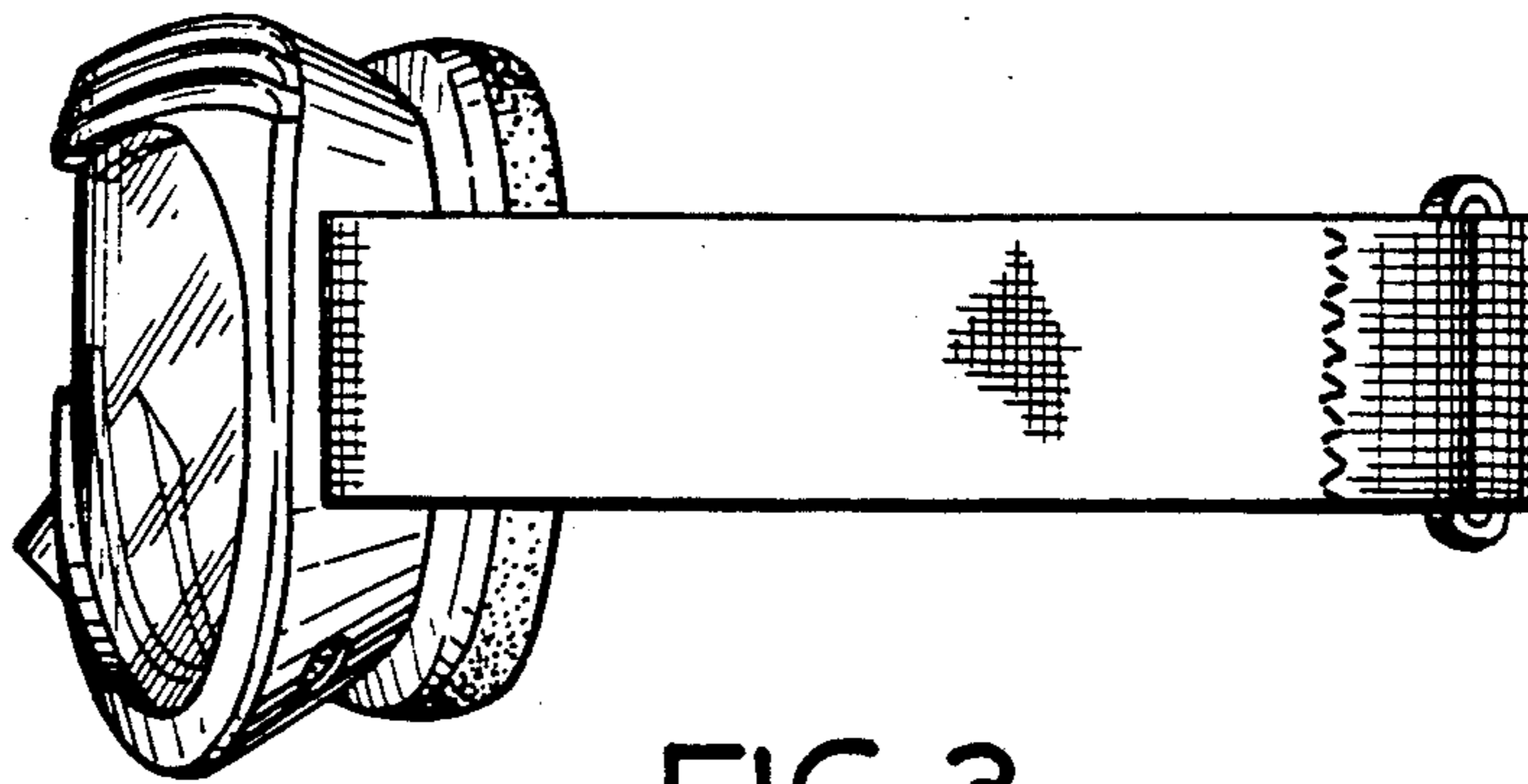


FIG. 3

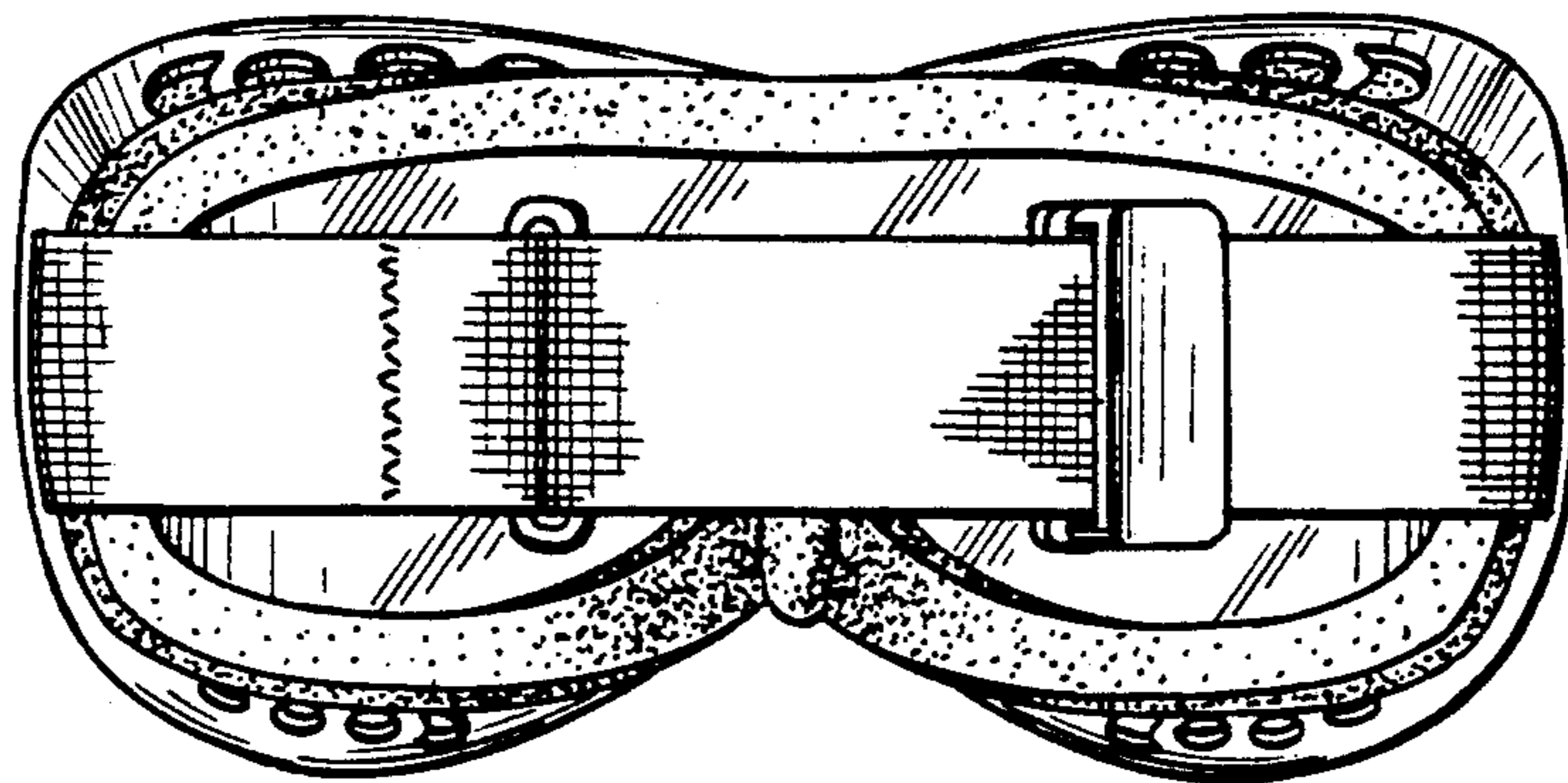


FIG. 4

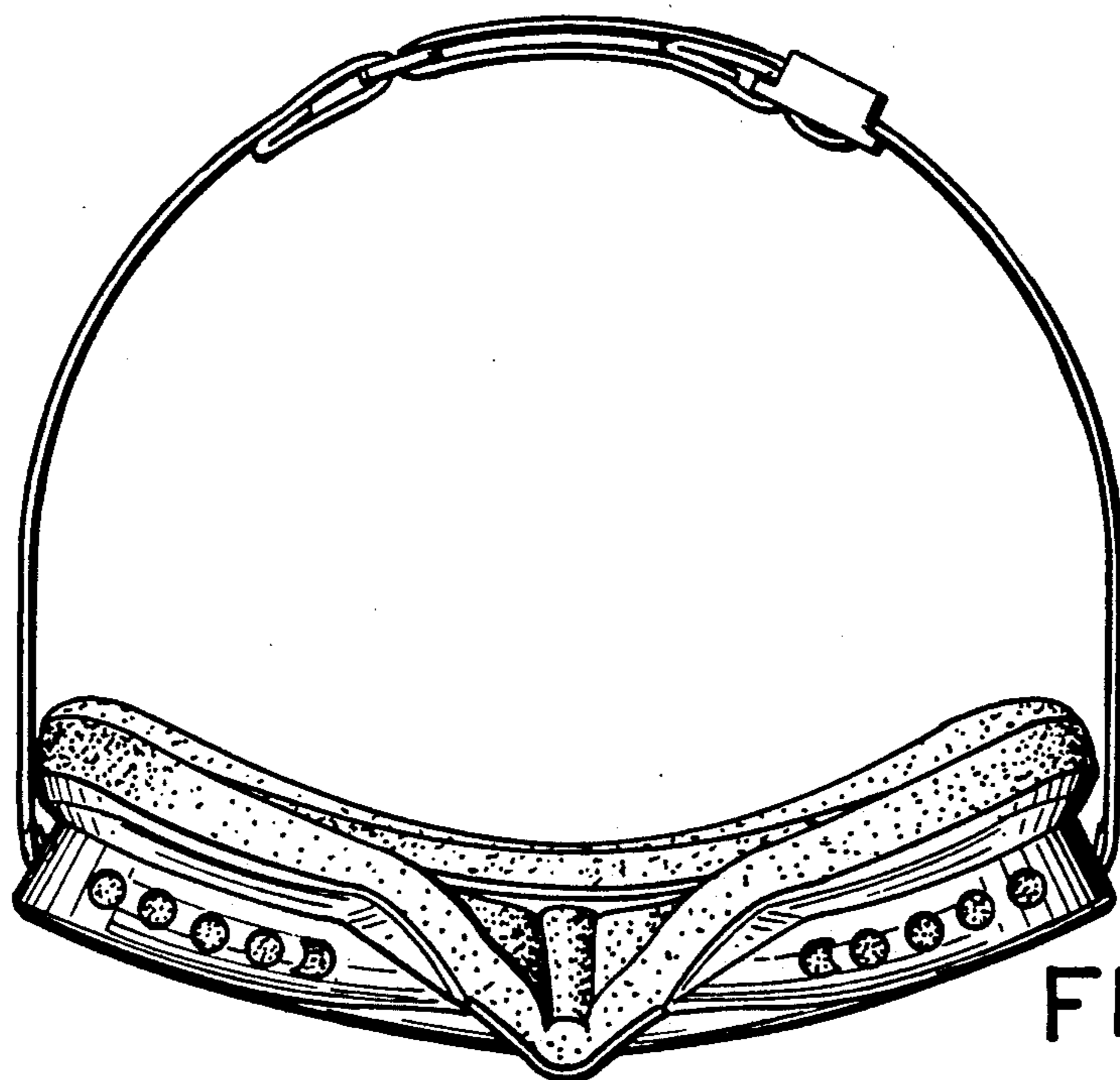


FIG. 5