



US00D325265S

United States Patent [19]

[11] Patent Number: **Des. 325,265**

Rommerdale

[45] Date of Patent: **** Apr. 7, 1992**

[54] **CONTROL ENHANCING ATTACHMENT FOR TWEEZERS**

[75] Inventor: **Eric Rommerdale, Brandon, Miss.**

[73] Assignee: **The W.E. Bassett Company, Shelton, Conn.**

[**] Term: **14 Years**

[21] Appl. No.: **404,442**

[22] Filed: **Sep. 8, 1989**

[52] U.S. Cl. **D28/55**

[58] Field of Search **D28/57,59-60, D28/62, 55, 73; 132/73, 73.5, 75, 75.6, 76.2, 76.4, 76.5; 30/26-29; D8/71, 107, 321; 294/99.1, 99.2; D7/401.2, 674, 393, 395; 606/206, 210, 211; 81/489, 427.5**

[56] **References Cited**

U.S. PATENT DOCUMENTS

D. 195,614 7/1963 Sacko, Jr. D28/60
4,727,876 3/1988 Porat et al. 606/210

FOREIGN PATENT DOCUMENTS

852440 10/1952 Fed. Rep. of Germany 606/210
3624250 2/1988 Fed. Rep. of Germany ... D28/55 X
402191 9/1909 France 294/99.2
1037752 9/1953 France 606/210
1051643 1/1954 France D28/55 X
2491325 4/1982 France 606/210

OTHER PUBLICATIONS

Techni-Tool, Inc. Cat. C1967, p. A40, #110.

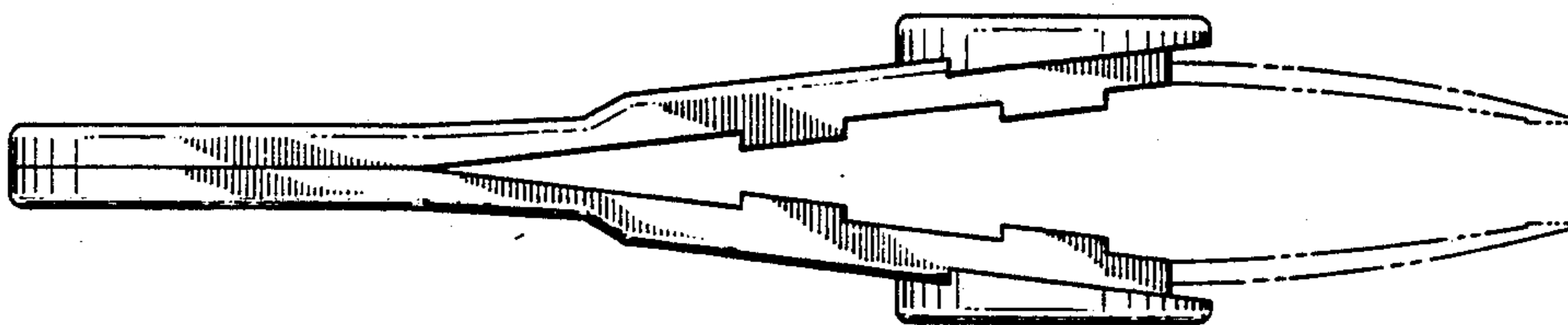
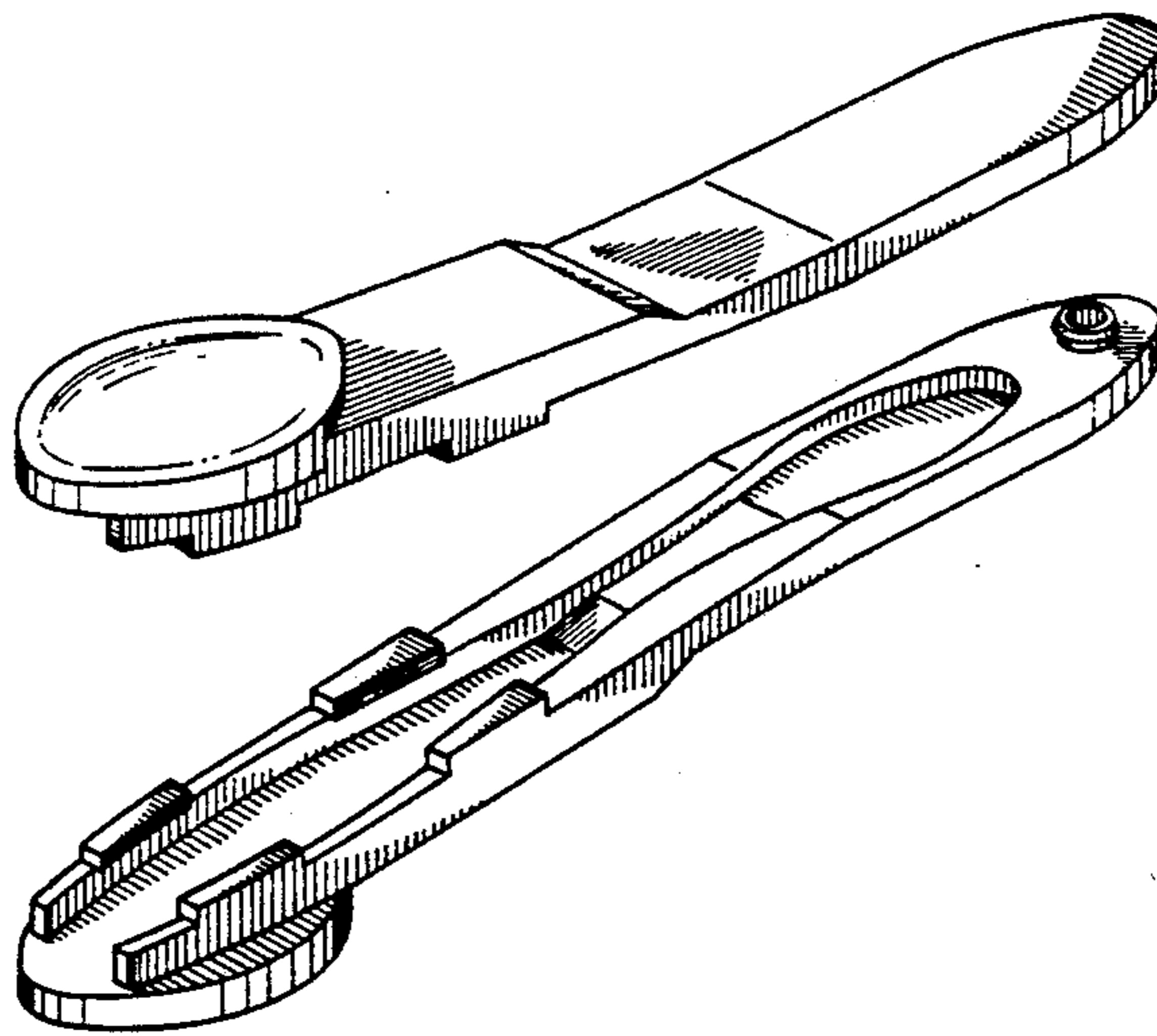
Primary Examiner—Bernard Ansher
Assistant Examiner—C. Tuttle
Attorney, Agent, or Firm—Melvin I. Stoltz

[57] **CLAIM**

The ornamental design for a control enhancing attachment for tweezers, as shown and described.

DESCRIPTION

FIG. 1 is an exploded top perspective view of a control enhancing handle attachment for tweezers showing my new design;
FIG. 2 is a left side elevational view of the assembled handle attachment, the side opposite being a mirror image of the side shown;
FIG. 3 is a bottom plan view of the lower component of the set, shown separately for clarity of illustration;
FIG. 4 is a left side elevational view thereof, the side opposite being a mirror image of the side shown;
FIG. 5 is a front end elevational view thereof;
FIG. 6 is a rear end elevational view thereof;
FIG. 7 is a bottom plan view thereof;
FIG. 8 is a top plan view of the upper component of the set;
FIG. 9 is a bottom plan view thereof;
FIG. 10 is a right side elevational view thereof, the side opposite being a mirror image of the side shown;
FIG. 11 is a front end elevational view thereof; and,
FIG. 12 is a rear end elevational view thereof.
The broken line showing of tweezers in FIG. 2 is for illustrative purposes only and forms no part of the claimed design.



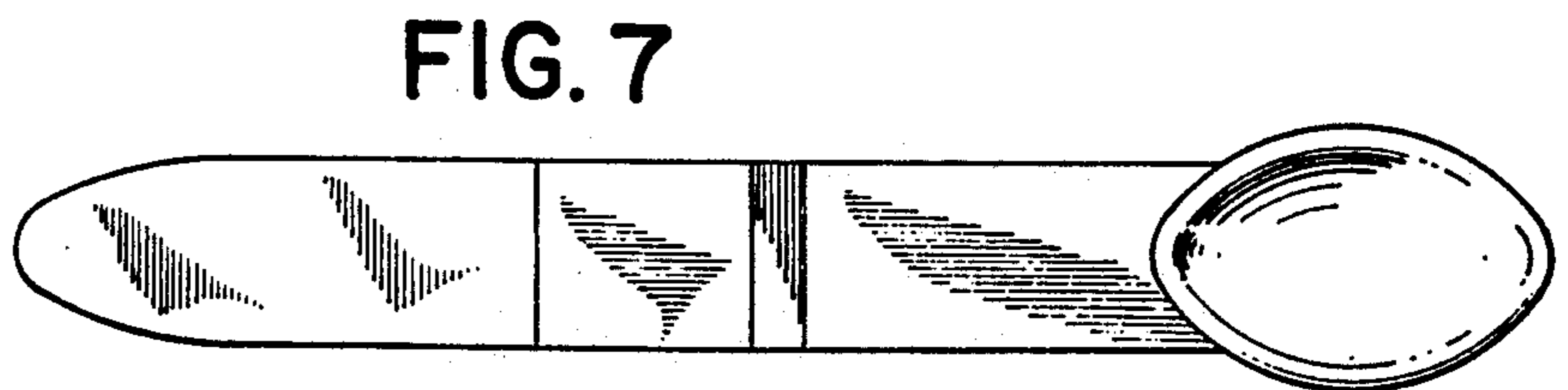
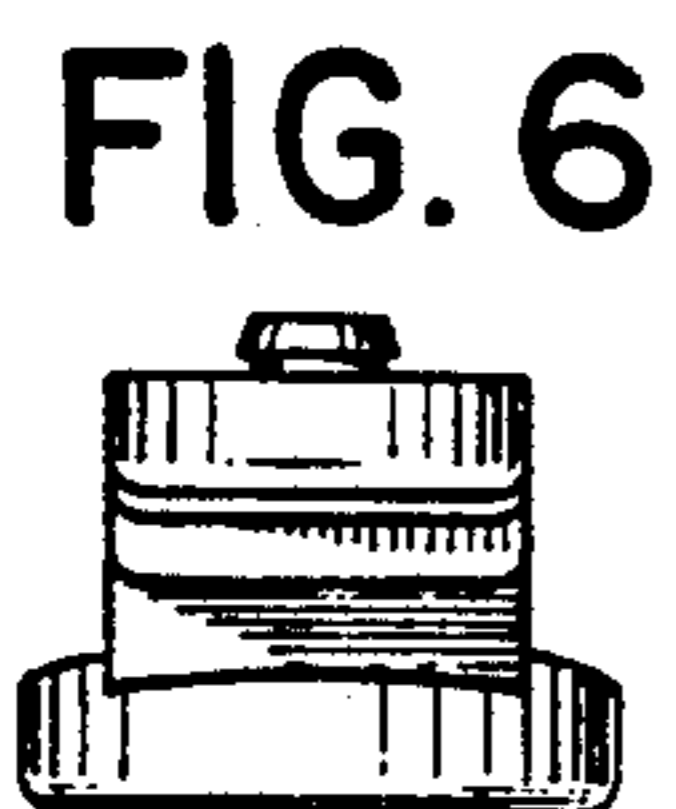
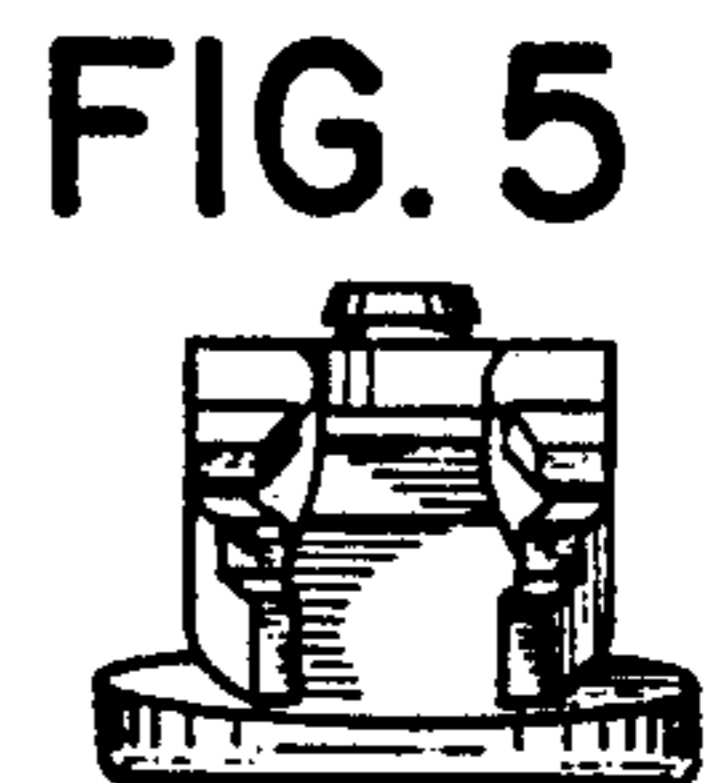
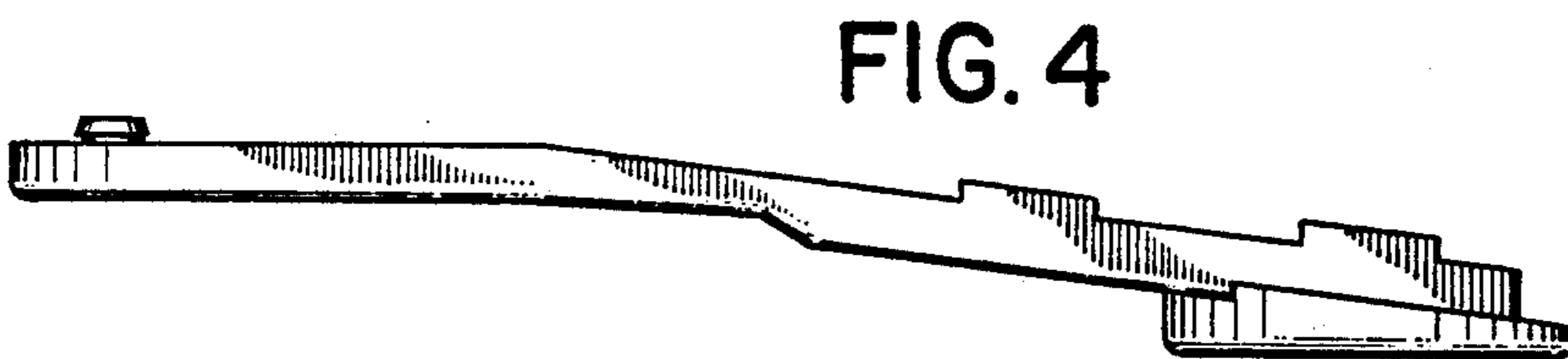
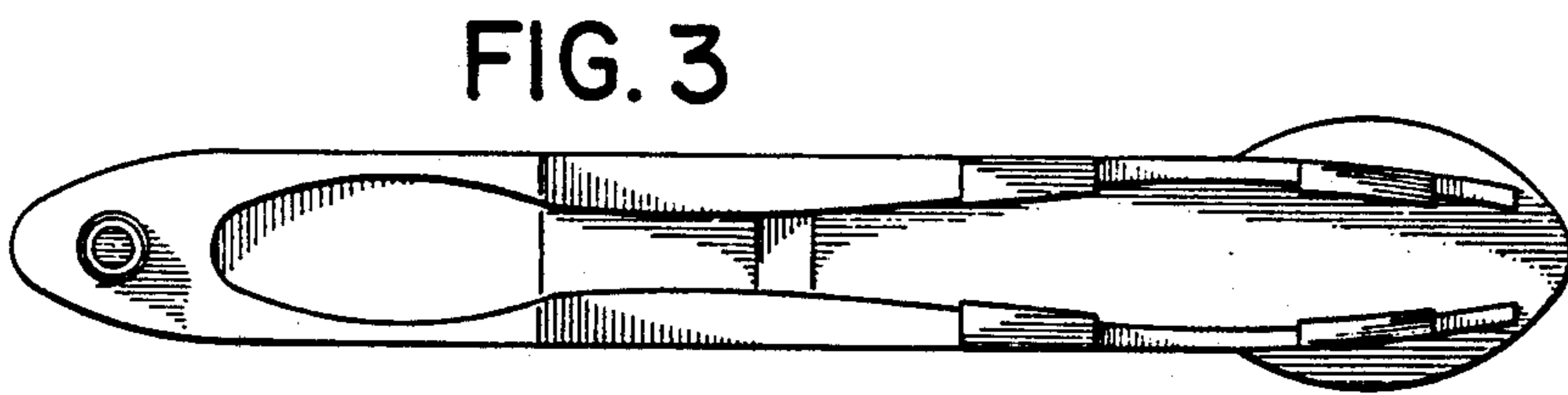
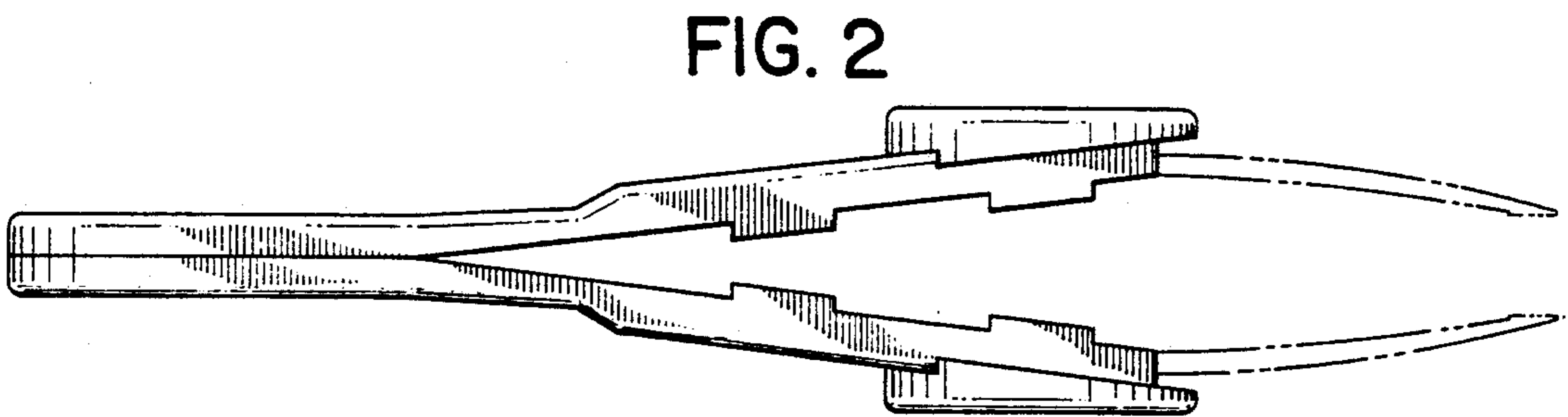
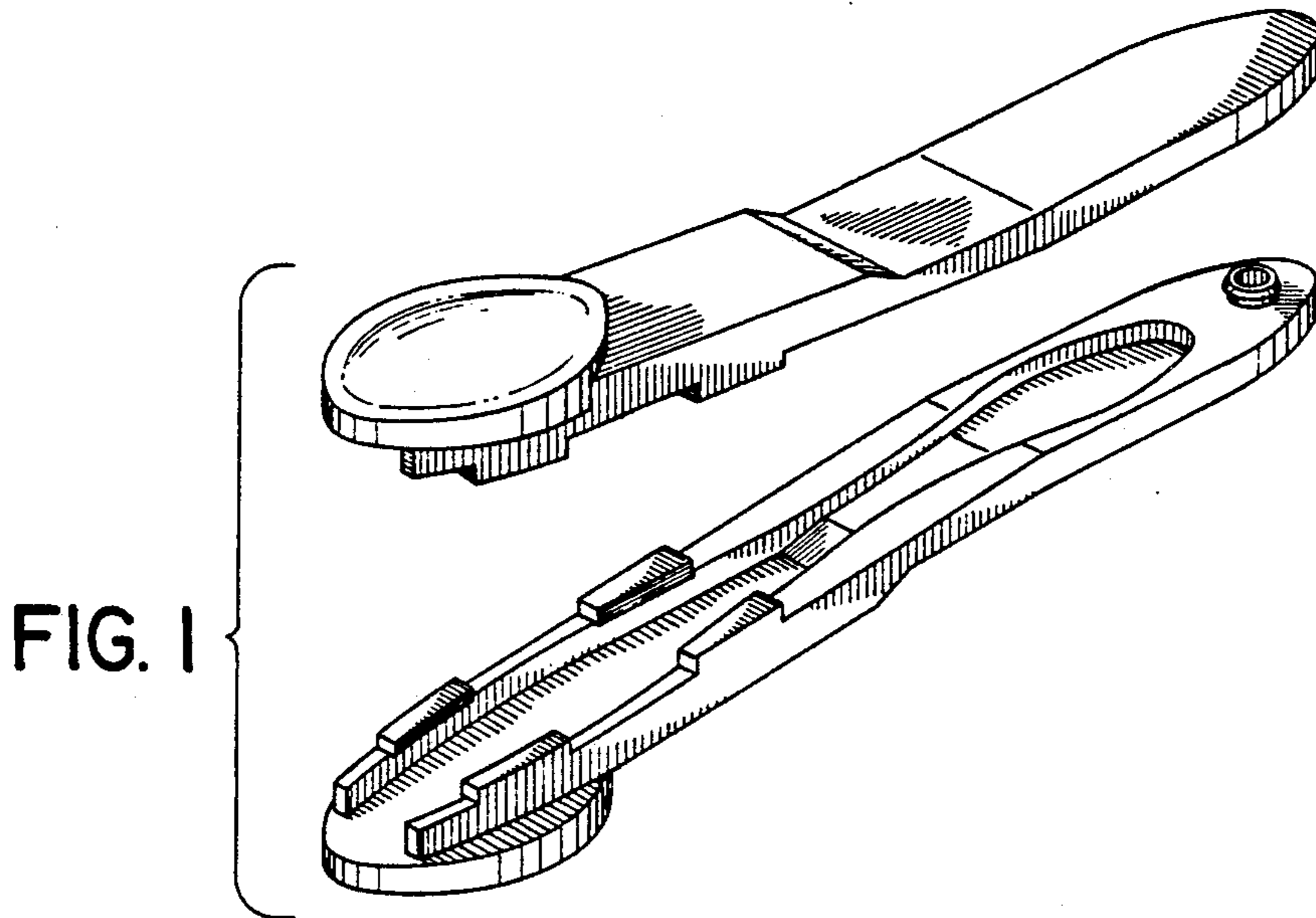


FIG. 8

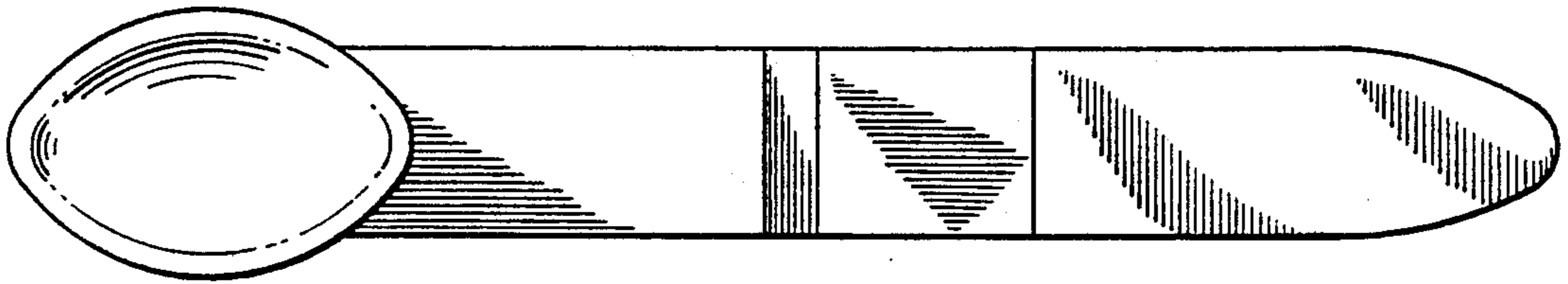


FIG. 9

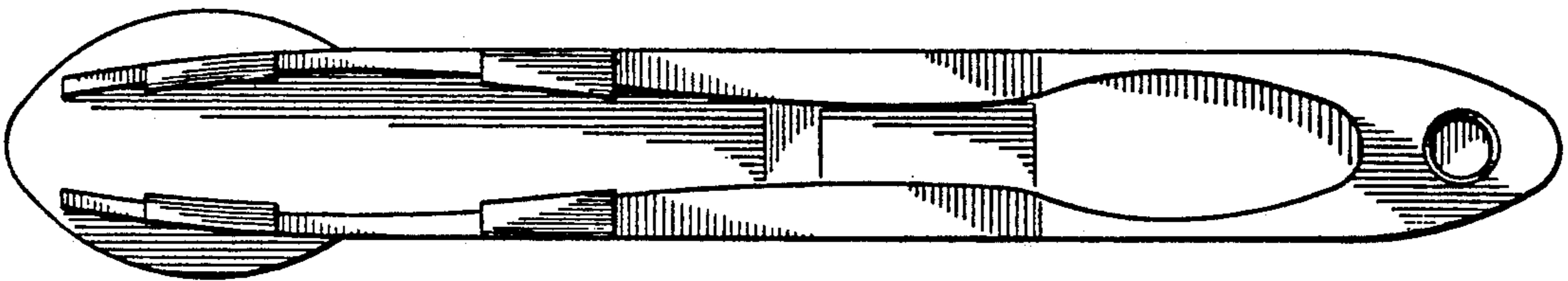


FIG. 10

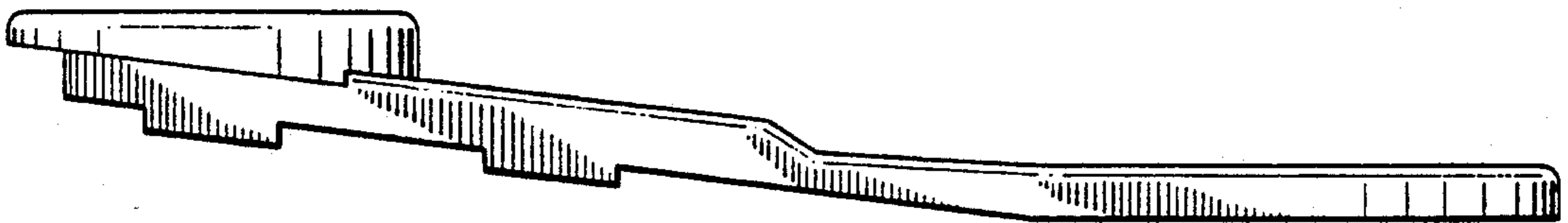


FIG. 11

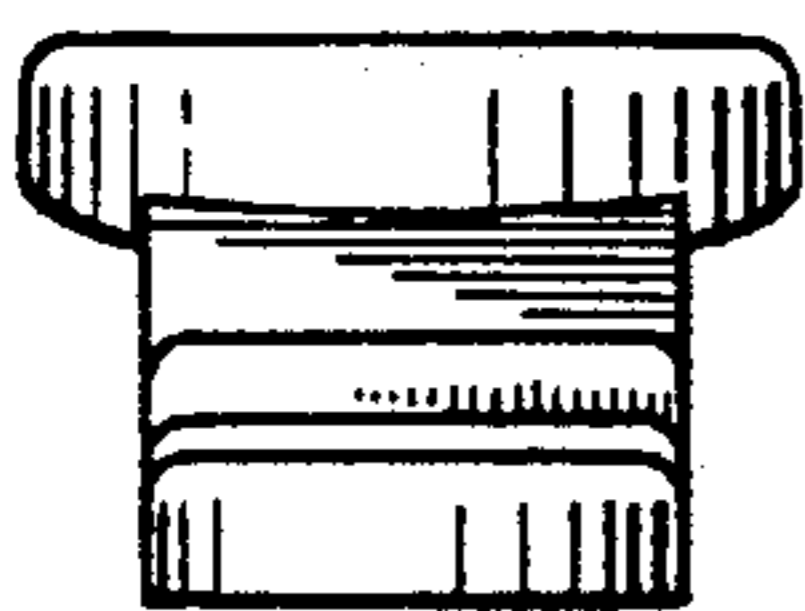


FIG. 12

