



US00D325261S

United States Patent [19]

[11] Patent Number: **Des. 325,261**

McCracken

[45] Date of Patent: **** Apr. 7, 1992**

[54] **STRUCTURAL BEAM FOR CONCRETE FORM SYSTEMS**

1,242,892	10/1917	Wagner	52/634
2,067,403	1/1937	Lea	D25/132
3,094,197	6/1963	Attwood	52/633
3,141,531	7/1964	Montgomery	52/644

[75] Inventor: **Robert G. McCracken, Des Moines, Iowa**

Primary Examiner—A. Hugo Word
Assistant Examiner—Doris Clark
Attorney, Agent, or Firm—Kent A. Herink; Brian J. Lorenzo

[73] Assignee: **Willian Holding Company, Des Moines, Iowa**

[**] Term: **14 Years**

[57] **CLAIM**

[21] Appl. No.: **461,353**

The ornamental design for a structural beam for concrete form systems, as shown and described.

[22] Filed: **Jan. 5, 1990**

[52] U.S. Cl. **D25/132**

DESCRIPTION

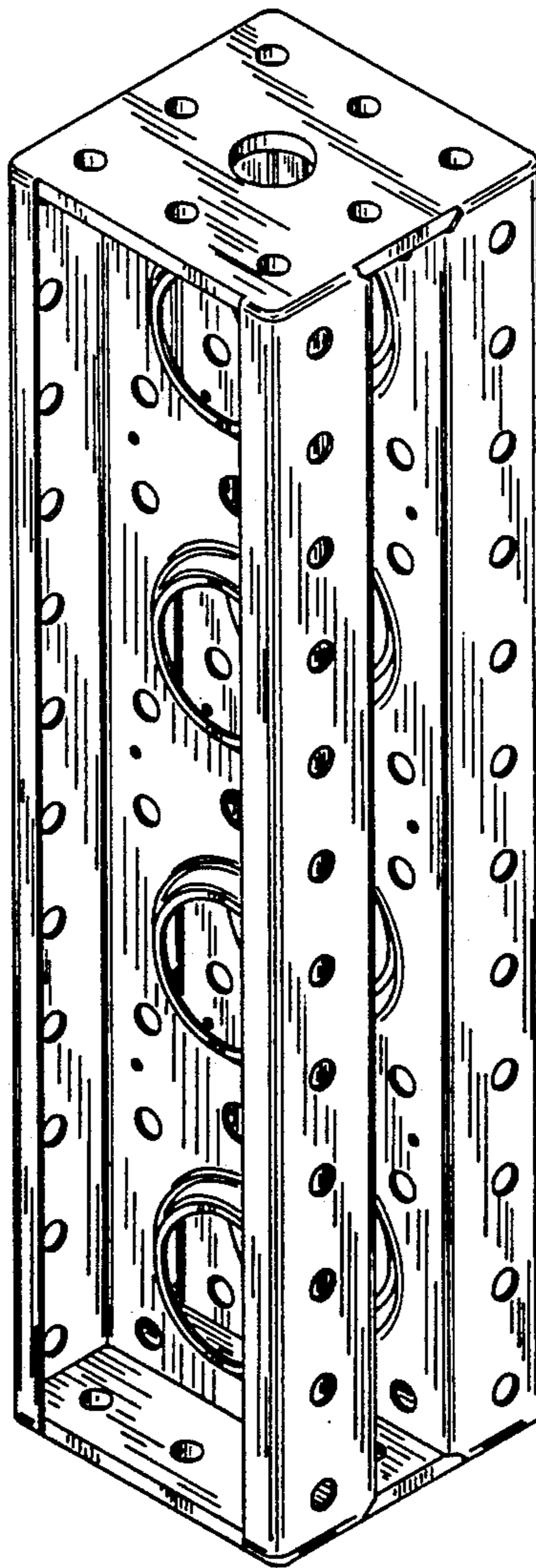
[58] Field of Search **D25/126-129, D25/131, 132; 52/433, 633-635, 661, 690-692, 697; 256/DIG. 5**

FIG. 1 is a front perspective view of a structural beam for concrete form systems showing my new design; FIG. 2 is a side elevational view thereof; FIG. 3 is a front elevational view thereof; FIG. 4 is a top plan view thereof; and, FIG. 5 is a cross-sectional view taken along line 5-5 of FIG. 3.

[56] **References Cited**

U.S. PATENT DOCUMENTS

861,924 7/1907 Weatherly, Sr. **D25/131**



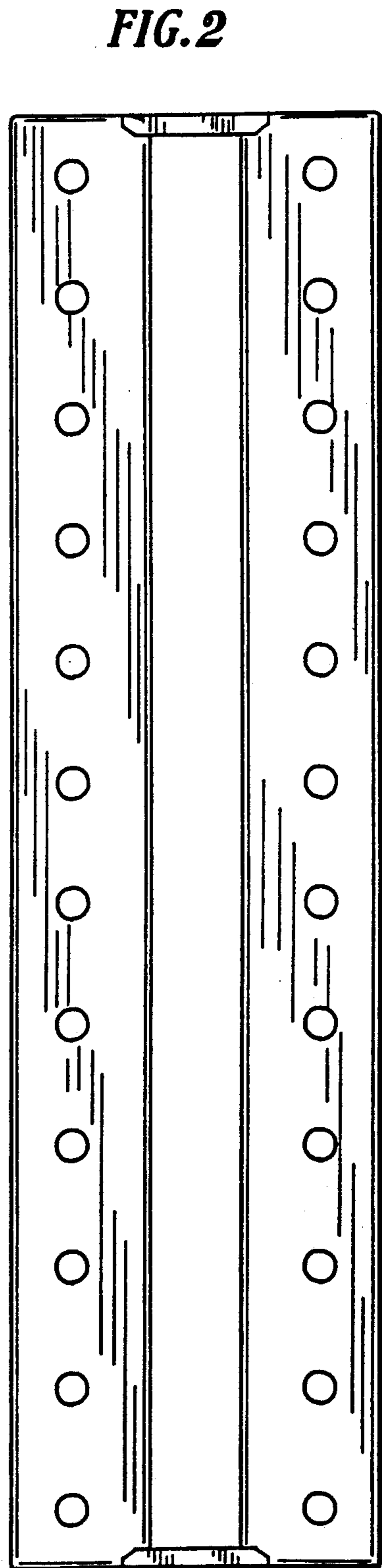
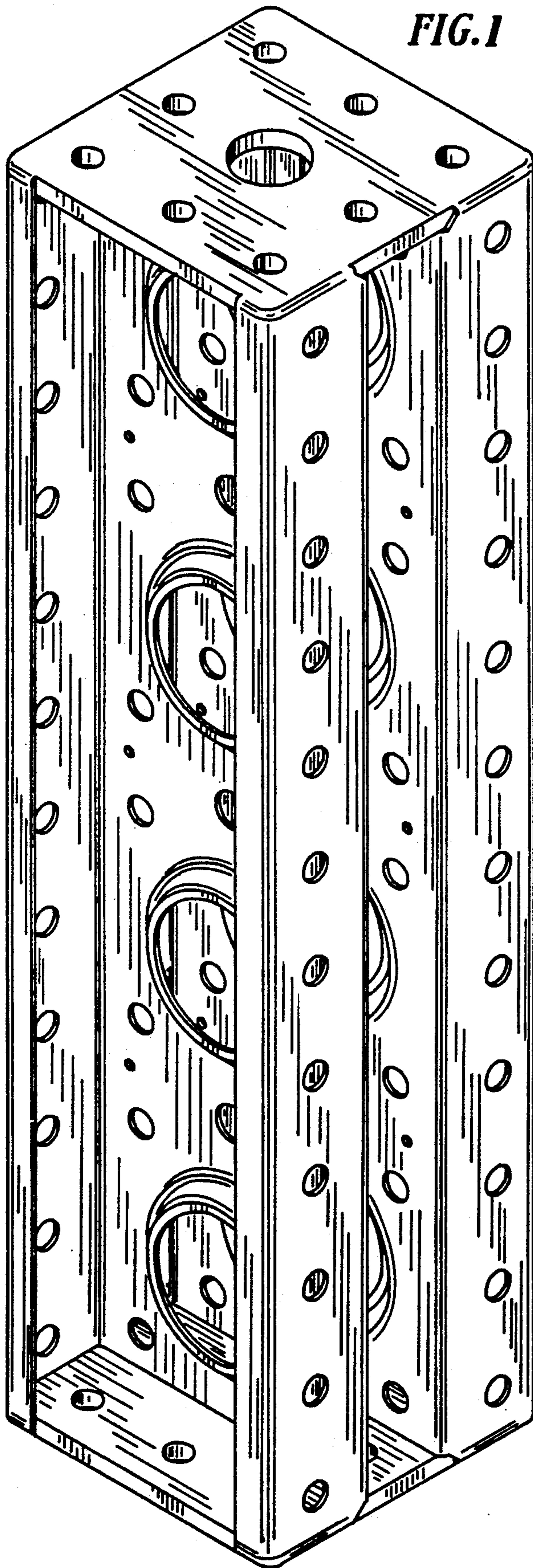


FIG. 3

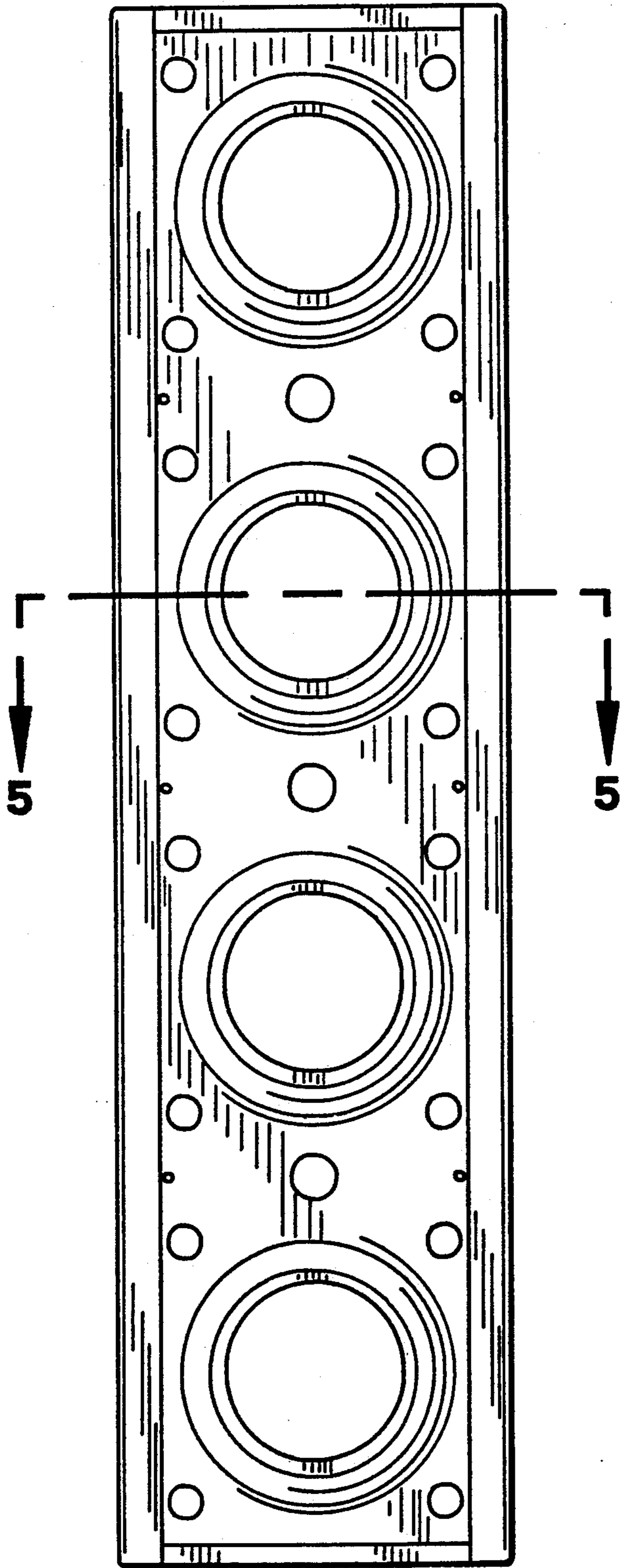


FIG. 4

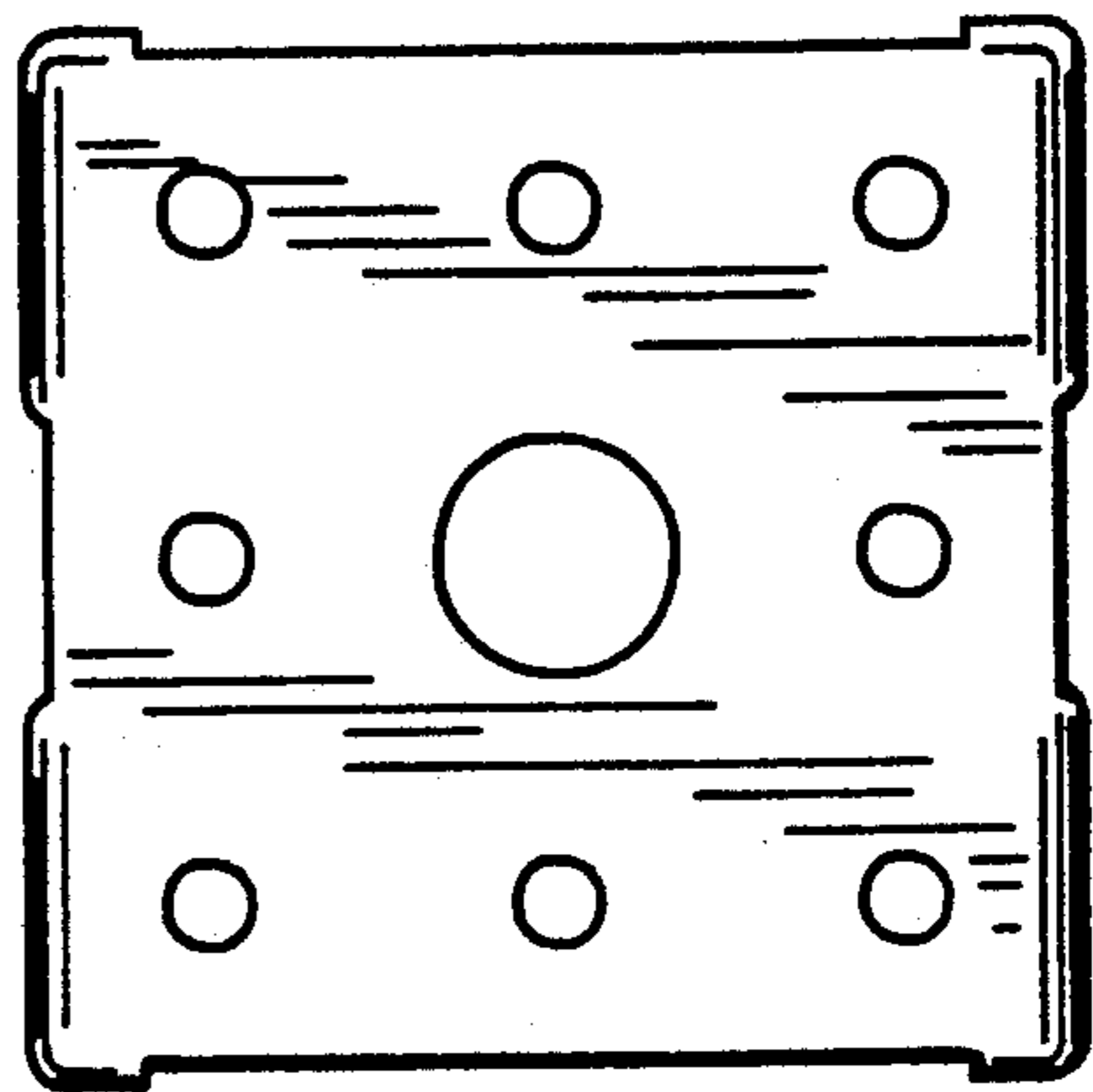
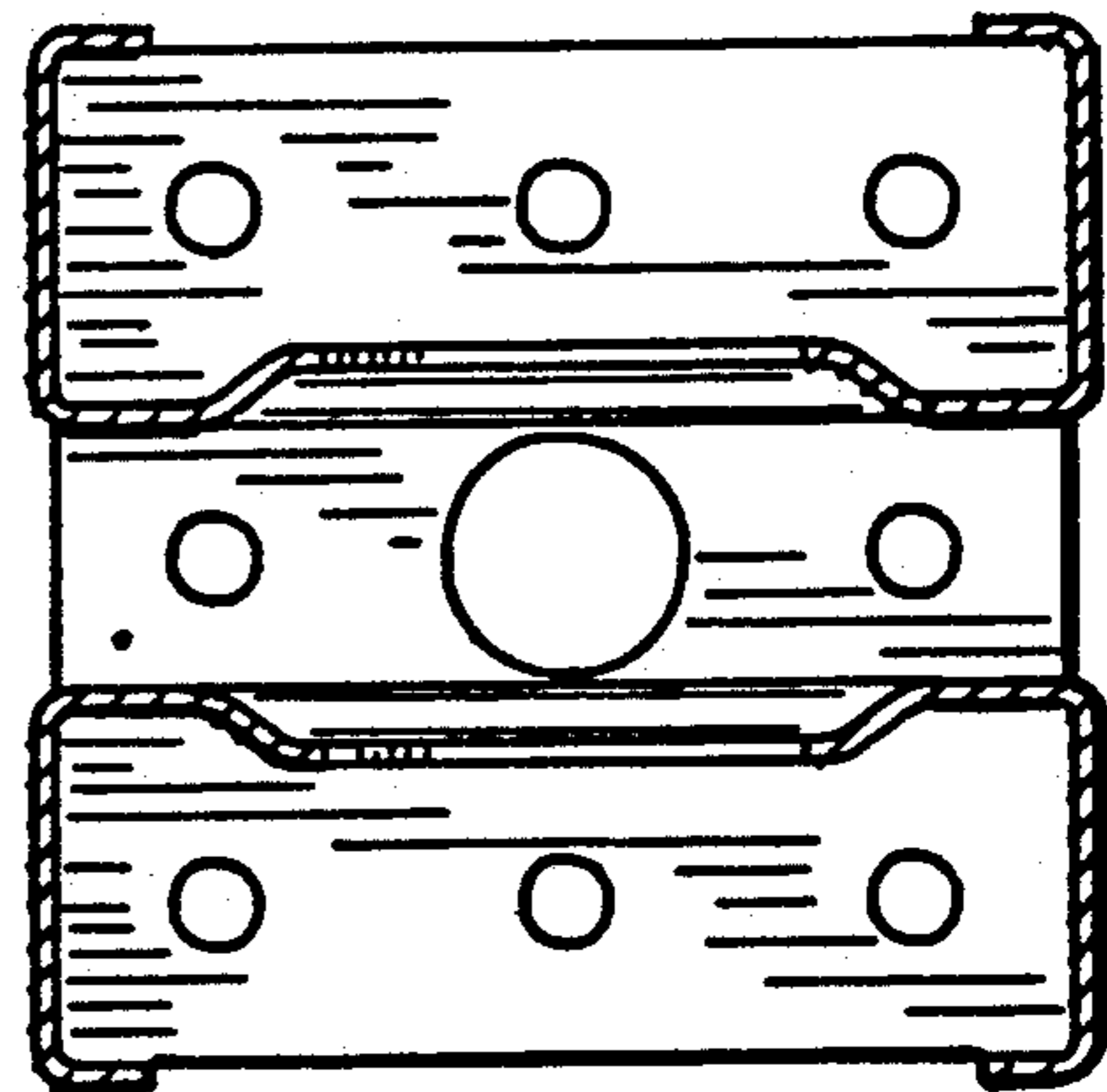


FIG. 5



REEXAMINATION CERTIFICATE (3019th)

United States Patent [19]

[11] **B1 Des. 325,261**

McCracken

[45] **Certificate Issued Oct. 1, 1996**

[54] **STRUCTURAL BEAM FOR CONCRETE FORM SYSTEMS**

[56] **References Cited**

[75] **Inventor: Robert G. McCracken, Des Moines, Iowa**

U.S. PATENT DOCUMENTS

4,964,256 10/1990 McCracken .
4,996,770 3/1991 McCracken .
5,137,250 8/1992 McCracken .

[73] **Assignee: Wilian Holding Company, Des Moines, Iowa**

FOREIGN PATENT DOCUMENTS

0227314 7/1987 European Pat. Off. .
1603516 11/1981 United Kingdom .

Reexamination Request:
No. 90/003,977, Sep. 26, 1995

OTHER PUBLICATIONS

Reexamination Certificate for:

Patent No.: **8,325,261**
Issued: **Apr. 7, 1992**
Appl. No.: **461,353**
Filed: **Jan. 5, 1990**

RMD Construction Equipment, "A World of Experience," Jul. 1987, pp. 10, 11, 12, 26, 31.

RMD Construction Equipment, "Multi-Jost," May 1981, pp. 1-6.

RMD Construction Equipment, "ErectaBeam," Nov. 1981, pp. 1-5.

[**] **Term: 14 Years**

[52] **U.S. Cl. D25/132**

[58] **Field of Search D25/126-129, D25/131, 132; 52/433, 633-635, 661, 690-692, 697; 256/DIG. 5**

Primary Examiner—Doris V. Coles



B1 Des. 325,261

1

**REEXAMINATION CERTIFICATE
ISSUED UNDER 35 U.S.C. 307**

THE PATENT IS HEREBY AMENDED AS
INDICATED BELOW.

2

AS A RESULT OF REEXAMINATION, IT HAS BEEN
DETERMINED THAT:

The single claim is cancelled.

* * * * *