



US00D325259S

United States Patent [19]

[11] Patent Number: **Des. 325,259**

Andersen et al.

[45] Date of Patent: **** Apr. 7, 1992**

[54] **CONTAINER FOR WASTE EXPELLED FROM A BLOOD GAS ANALYZER OR THE LIKE**

[75] Inventors: **Joergen Andersen, Herlev; Ib O. Sinnerup, Humlebaek; Kristian J. Hvidtfeldt, Virum, all of Denmark**

[73] Assignee: **Radiometer A/S, Denmark**

[**] Term: **14 Years**

[21] Appl. No.: **454,122**

[22] Filed: **Dec. 21, 1989**

[30] **Foreign Application Priority Data**

Jun. 23, 1989 [GB] United Kingdom 1060371
[52] U.S. Cl. **D24/169; D24/224**
[58] Field of Search **D24/169, 131, 224; 206/363, 366, 63.5; 422/81; 128/632, 635; 436/52, 68, 11; D9/370, 429**

[56] **References Cited**
U.S. PATENT DOCUMENTS

D. 302,291 7/1989 Heubel et al. D24/131
4,520,926 6/1985 Nelson D24/131 X
4,734,184 3/1988 Burleigh et al. 128/635 X
4,832,034 5/1989 Pizziconi et al. 128/632

Primary Examiner—Stella Reid
Attorney, Agent, or Firm—Ostrolenk, Faber, Gerb & Soffen

[57] **CLAIM**

The ornamental design for a container for waste expelled from a blood gas analyzer or the like, as shown.

DESCRIPTION

FIG. 1 is a perspective view of a container for waste expelled from a blood gas analyzer or the like, showing our new design;
FIG. 2 is a side elevational view thereof, the opposite side elevational view being identical;
FIG. 3 is a front elevational view thereof; and,
FIG. 4 is a bottom plan view thereof.

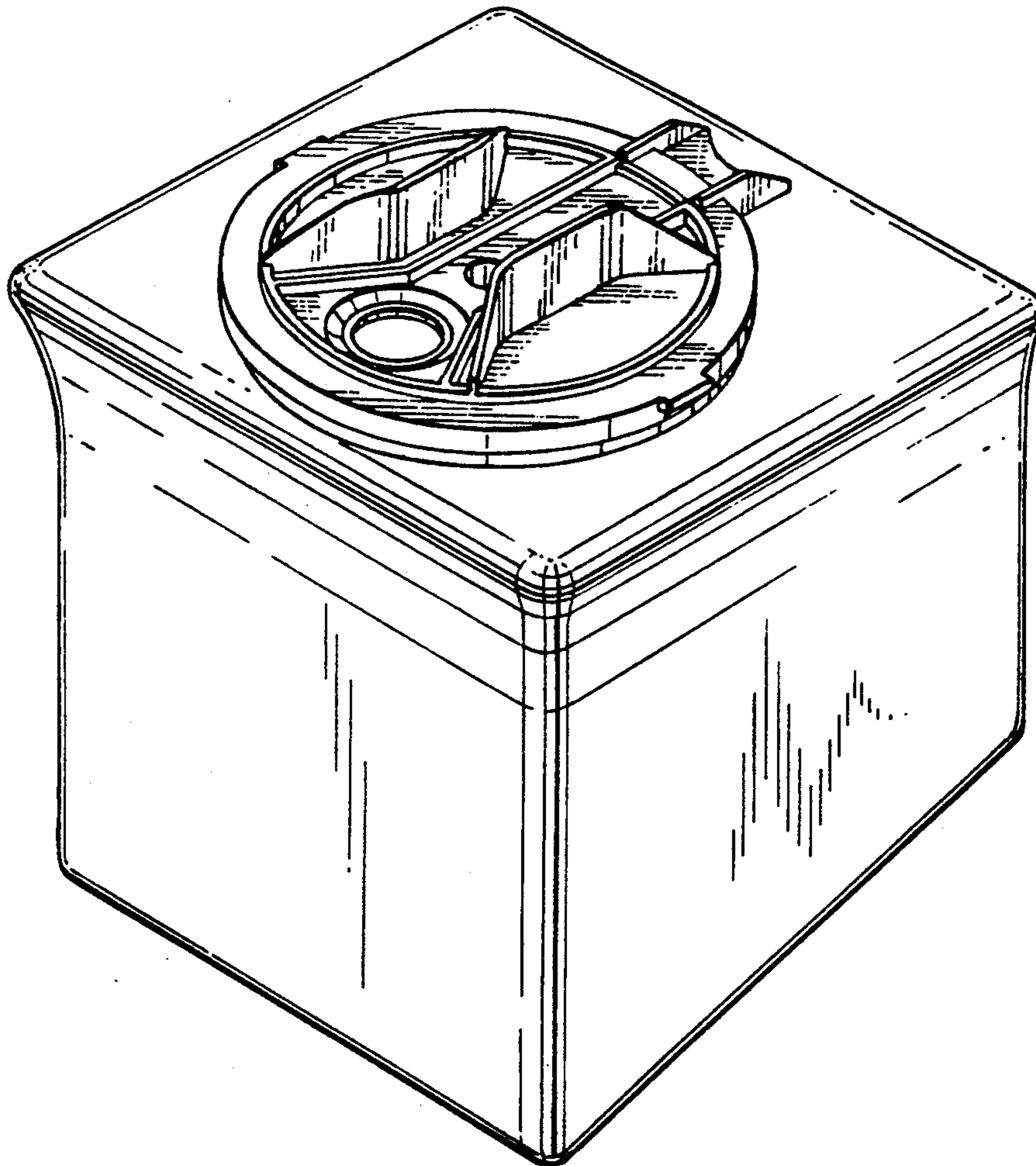


Fig. 1.

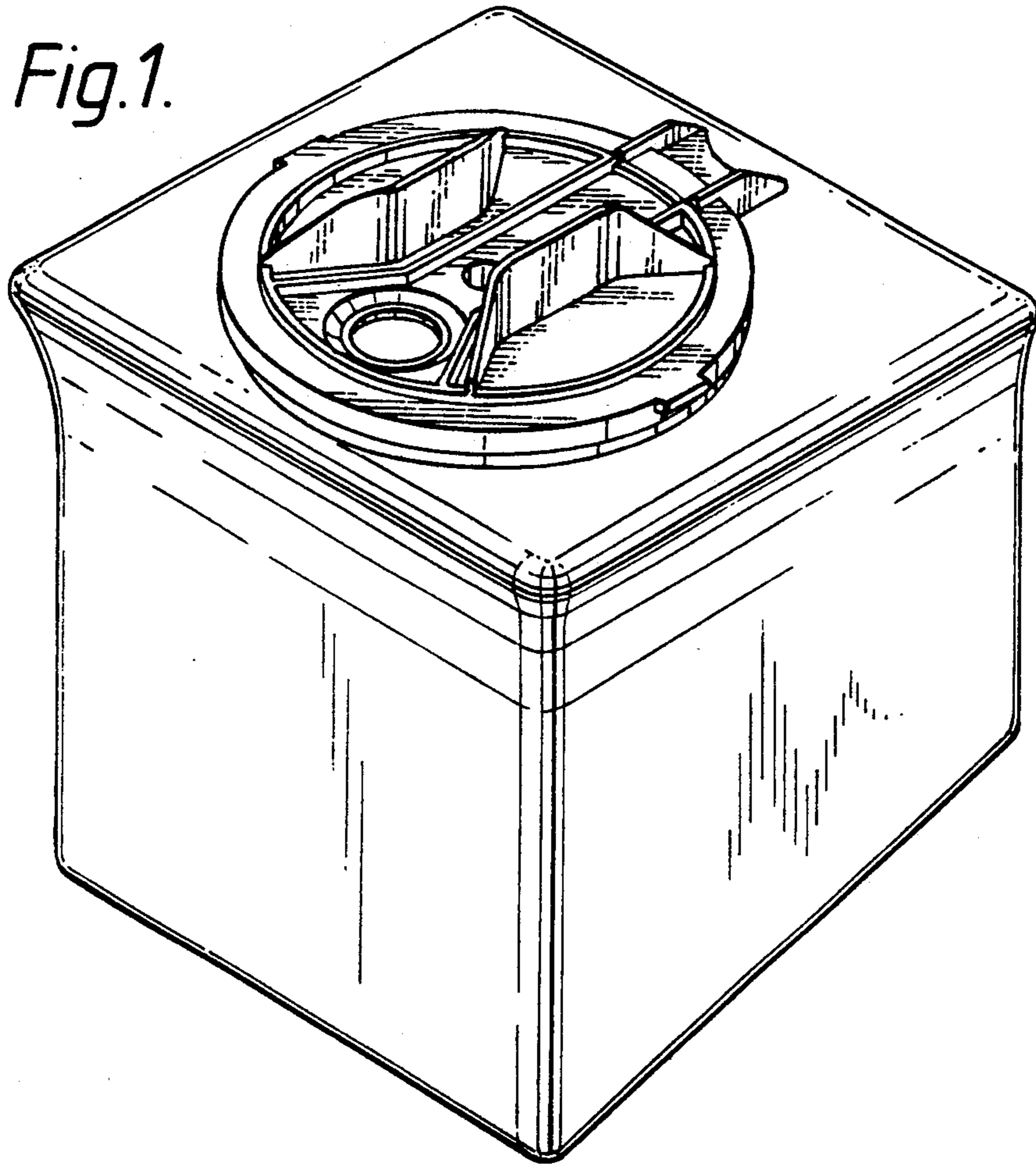


Fig. 2.

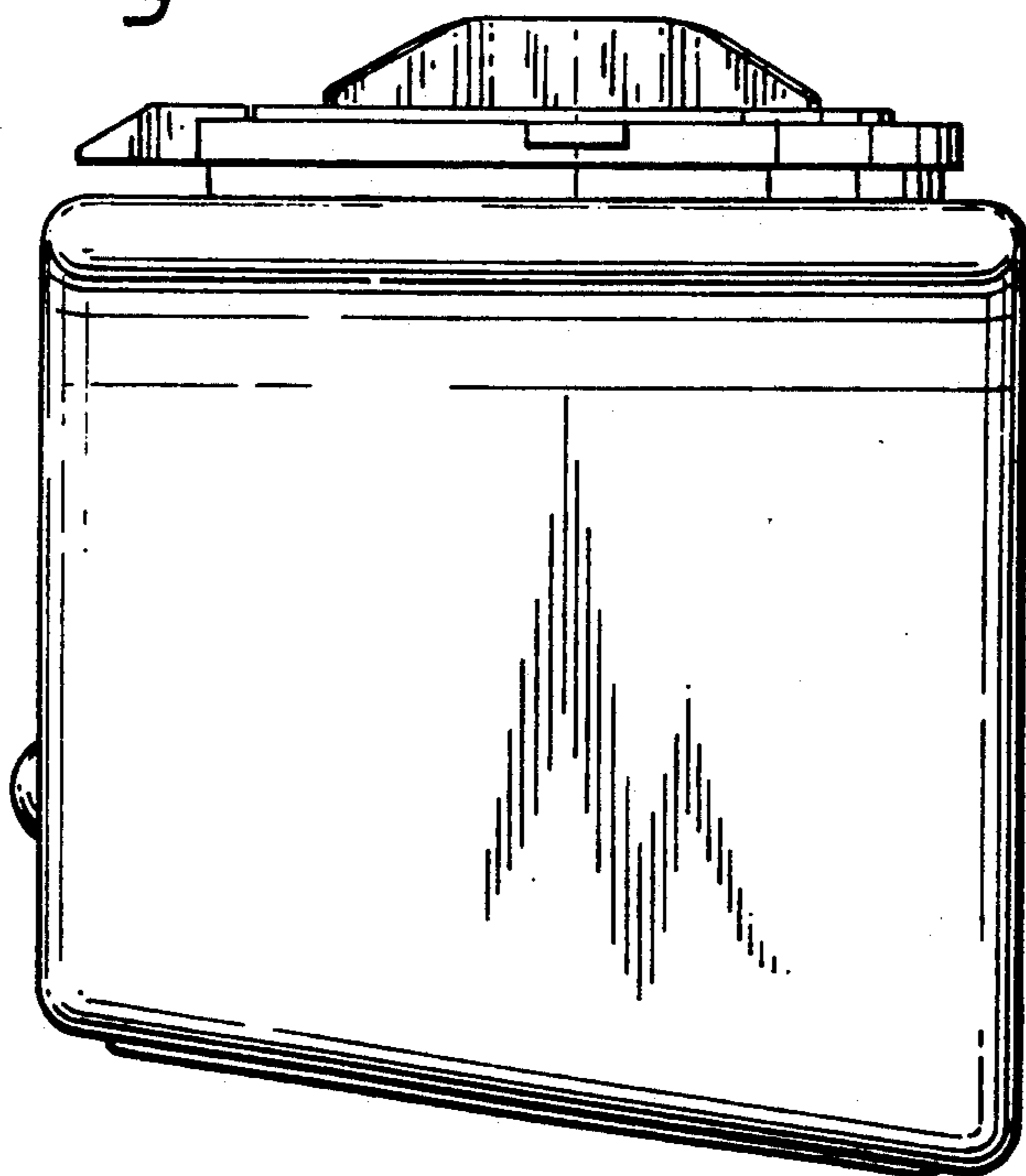


Fig. 3.

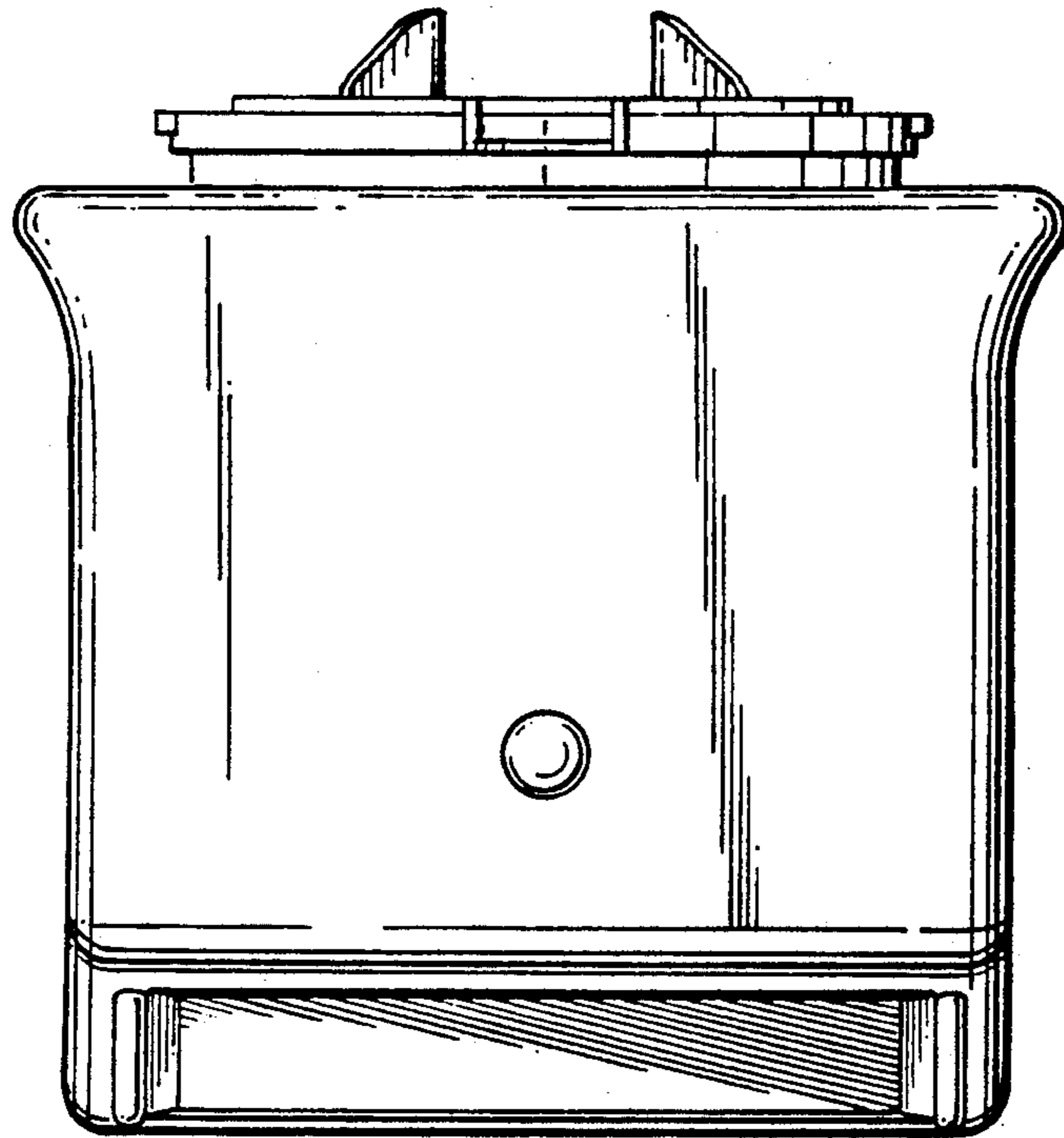


Fig. 4.

