



US00D325253S

# United States Patent [19]

[11] Patent Number: **Des. 325,253**

**Muderlak**

[45] Date of Patent: **\*\* Apr. 7, 1992**

[54] **FRAGRANCE DIFFUSER HOUSING**

[75] Inventor: **Kenneth J. Muderlak**, Shorewood, Wis.

[73] Assignee: **Technical Concepts, L.P.**, Chicago, Ill.

[\*] Notice: The portion of the term of this patent subsequent to Feb. 11, 2006 has been disclaimed.

[\*\*] Term: **14 Years**

[21] Appl. No.: **558,193**

[22] Filed: **Jul. 26, 1990**

D. 304,758	11/1989	Glucksman et al.	.....	D23/366
D. 307,050	4/1990	Glucksman et al.	.....	D23/366
1,806,149	5/1931	Daugherty	.....	239/57
2,611,068	4/1946	Wellens	.....	392/392
2,830,845	4/1958	Cottle	.....	239/58
2,931,880	4/1960	Yaffe	.....	D23/366
2,942,090	6/1960	Diehl	.....	392/392
4,731,520	4/1988	Glucksman et al.	.....	392/390
4,795,883	1/1989	Glucksman et al.	.....	392/390
4,798,935	1/1989	Pezaris	.....	219/492
4,804,821	2/1989	Glucksman	.....	415/208.2

*Primary Examiner*—James M. Gandy  
*Assistant Examiner*—Lisa Lichtenstein  
*Attorney, Agent, or Firm*—Welsh & Katz

### Related U.S. Application Data

[63] Continuation of Ser. No. 521,981, May 7, 1990.

[52] U.S. Cl. .... **D23/366**

[58] Field of Search ..... D23/366, 367, 368, 369; 239/34, 35, 55, 57, 58, 59; 261/DIG. 65, 31, 30; 392/392, 390; 55/279, 316

### References Cited

#### U.S. PATENT DOCUMENTS

D. 295,217 4/1988 Glucksman ..... D23/366

### [57] CLAIM

The ornamental design for a fragrance diffuser housing, as shown and described.

### DESCRIPTION

FIG. 1 is a front, top, and right side perspective view of a fragrance diffuser housing showing my new design; FIG. 2 is a front elevation view thereof; FIG. 3 is a right side elevation view thereof; FIG. 4 is a left side elevation view thereof; FIG. 5 is a rear elevation view thereof; FIG. 6 is a top plan view thereof; and, FIG. 7 is a bottom plan view thereof.

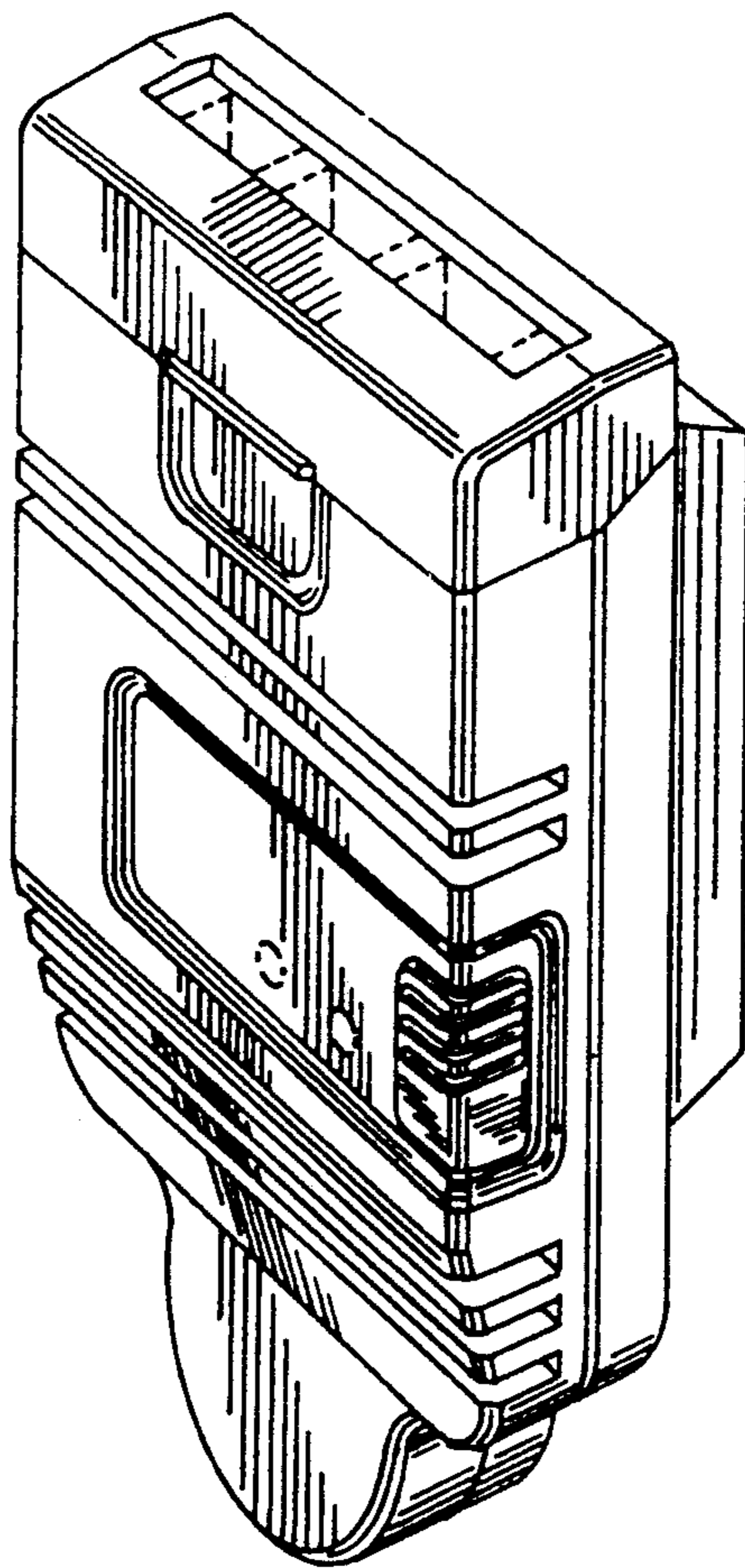


FIG-1-

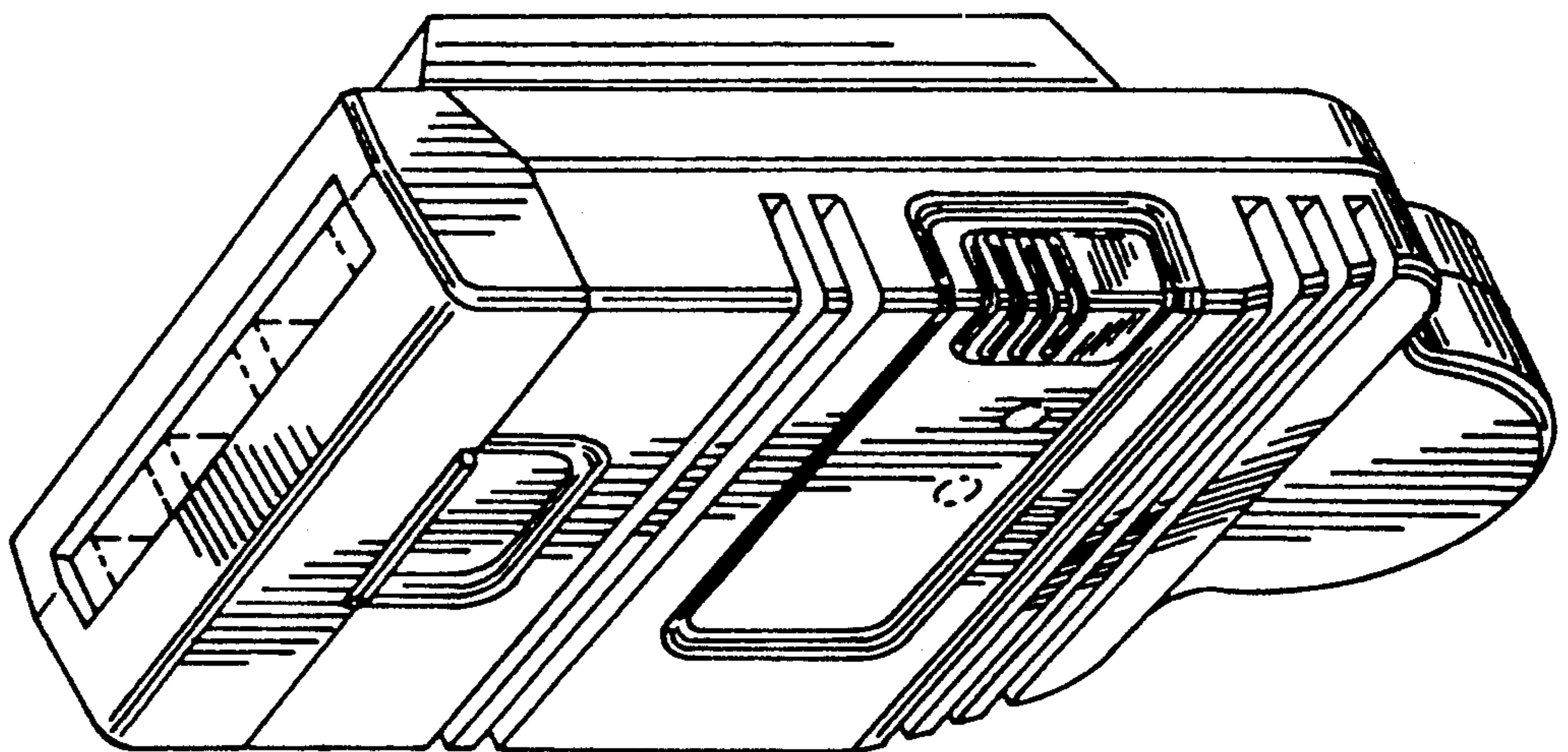


FIG-3-

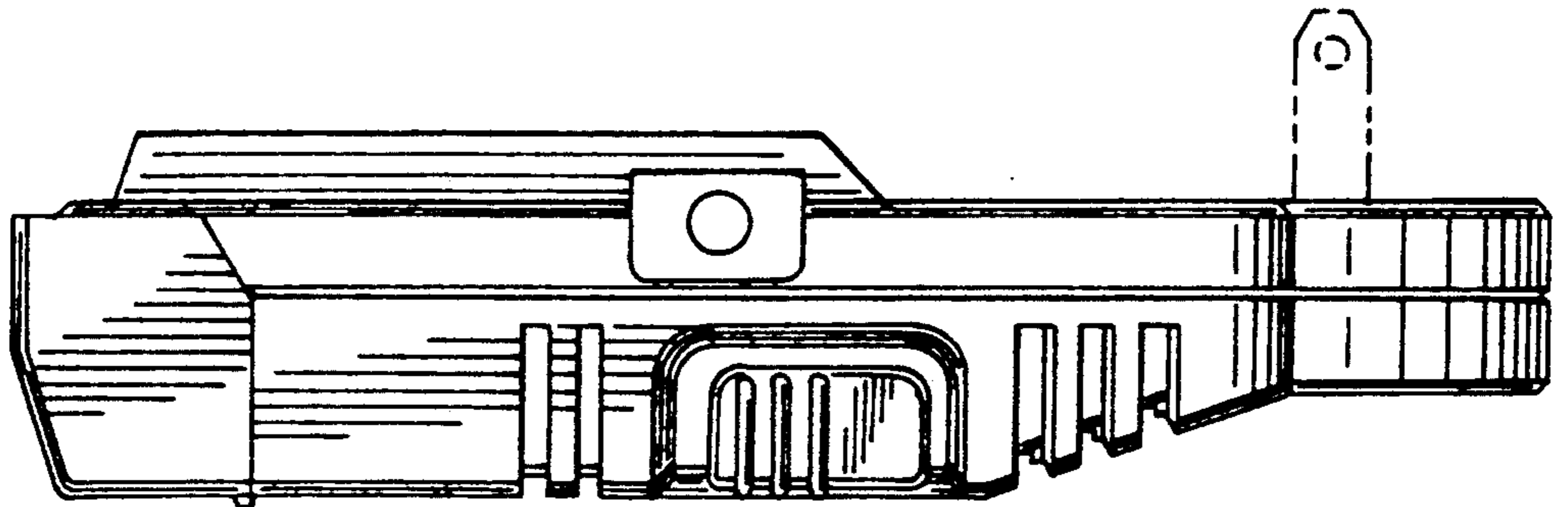


FIG-2-

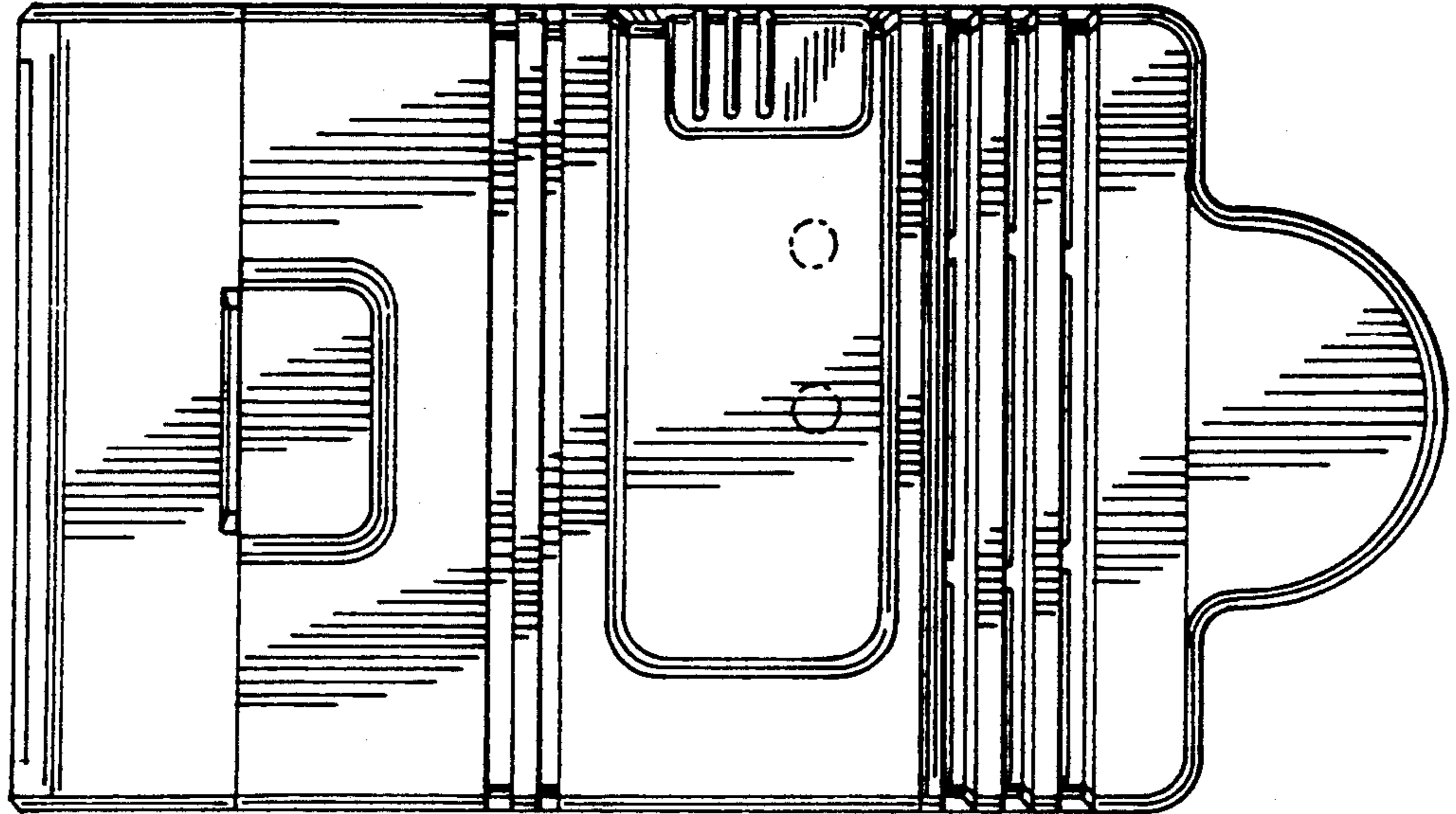


FIG. 4.

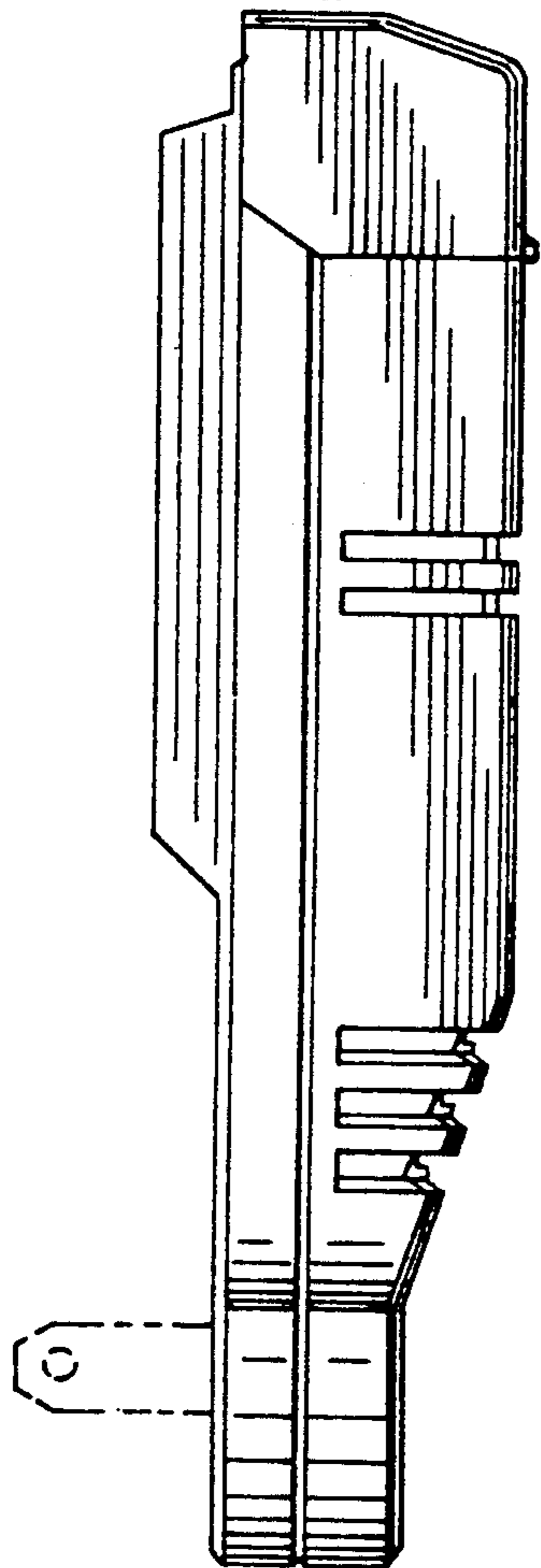


FIG. 5.

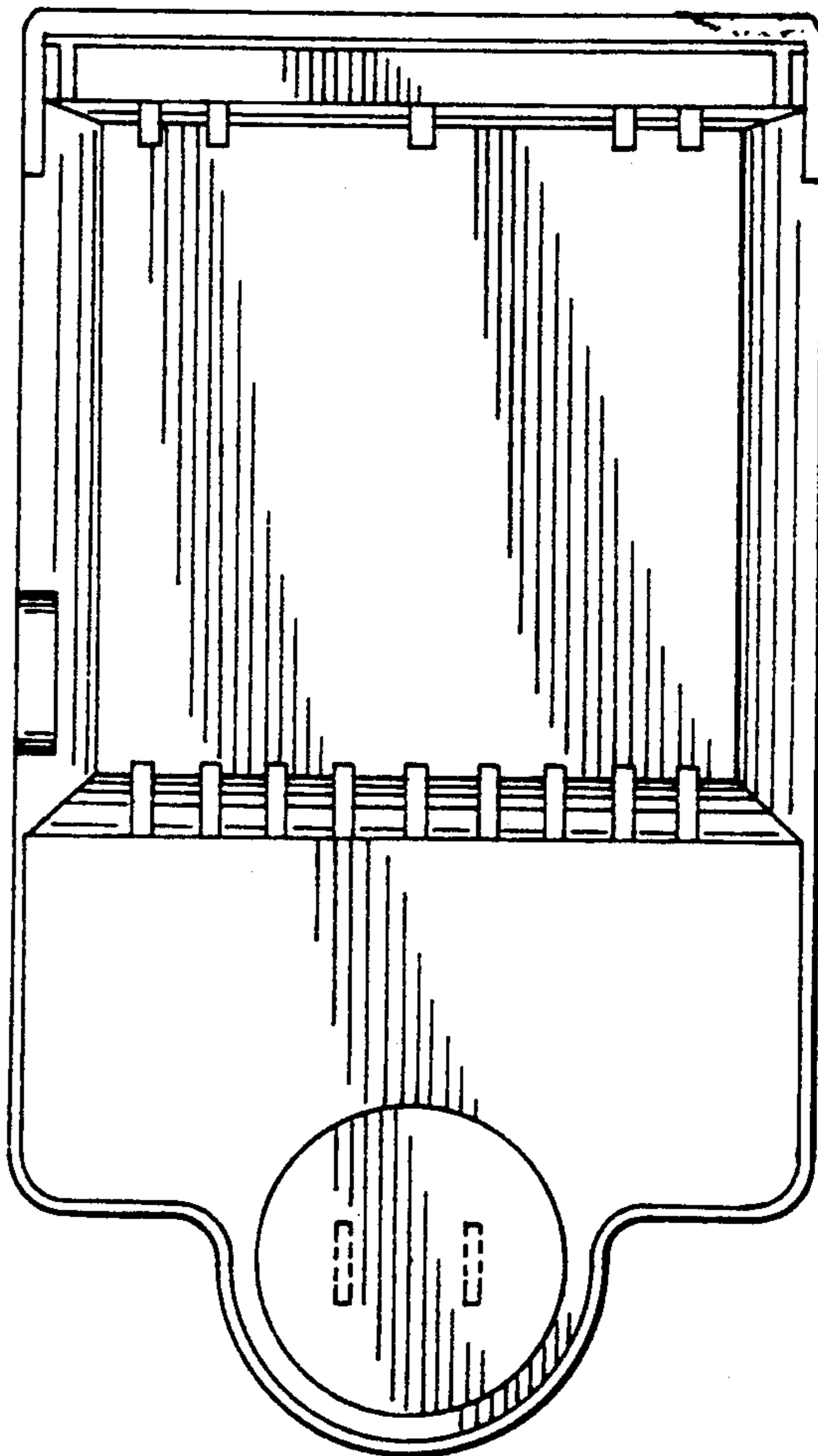


FIG. 6.

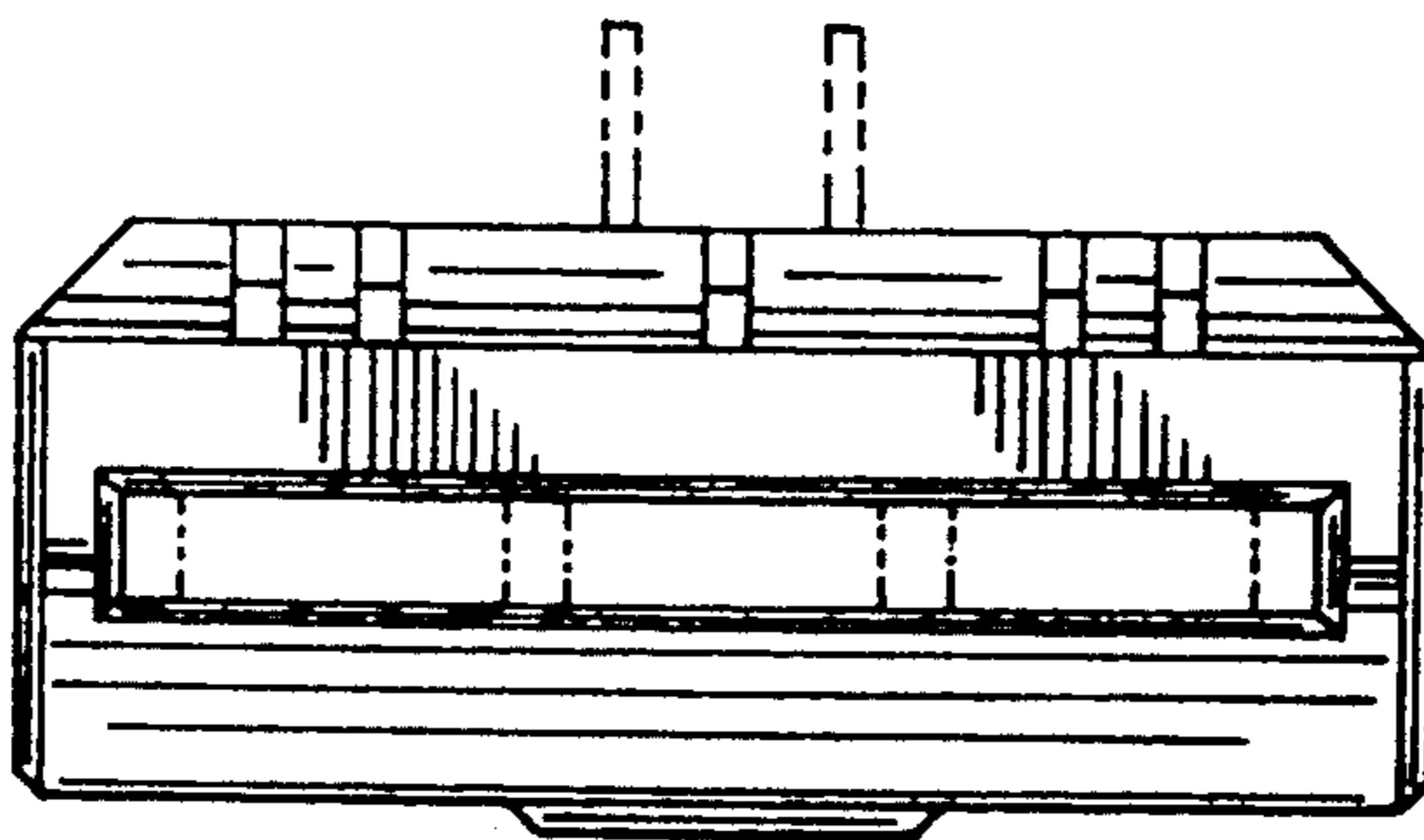
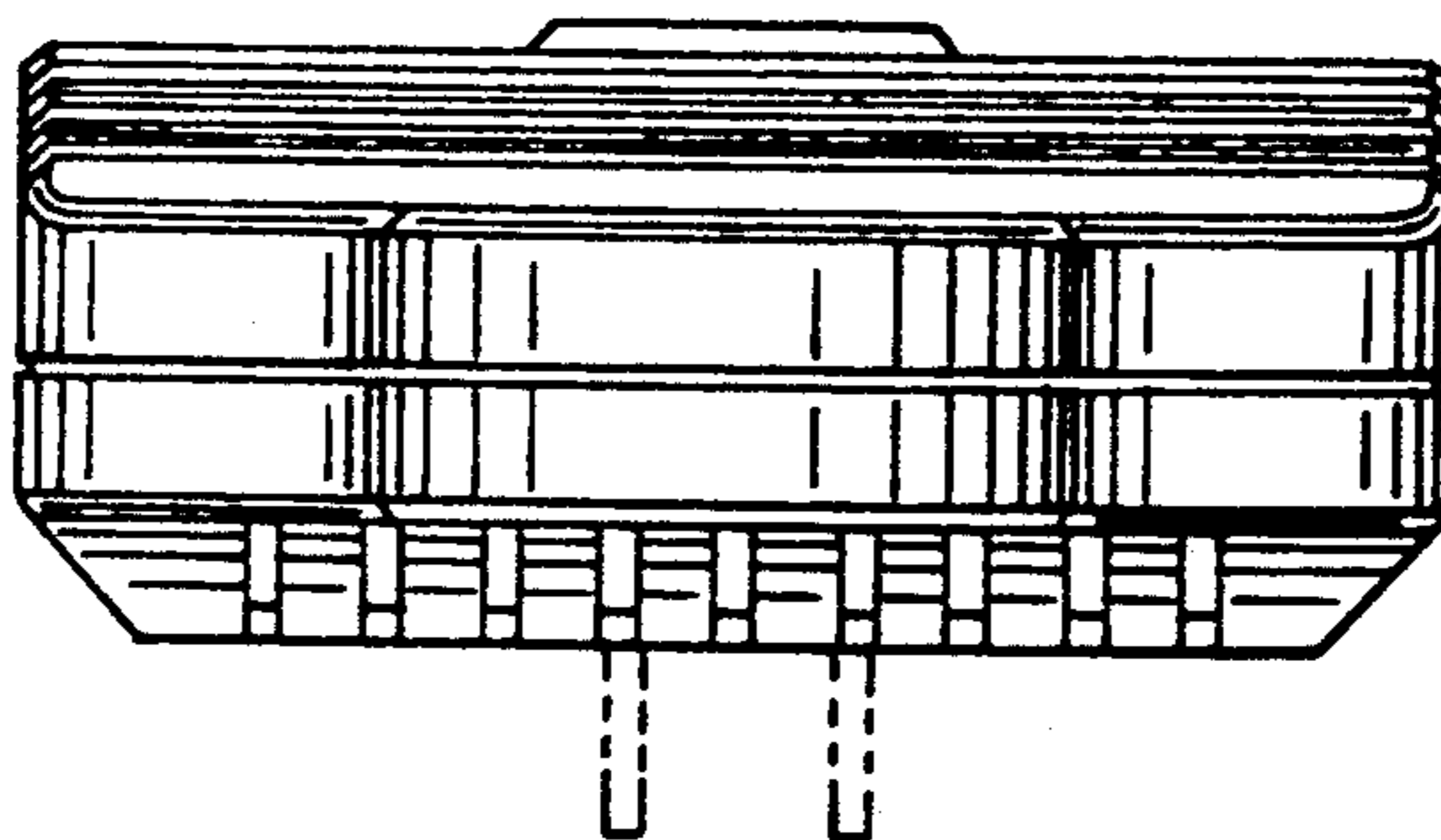


FIG. 7.



UNITED STATES PATENT AND TRADEMARK OFFICE  
**CERTIFICATE OF CORRECTION**

PATENT NO. : Des. 325,253  
DATED : April 7, 1992  
INVENTOR(S) : Kenneth J. Muderlak

It is certified that error appears in the above-identified patent and that said Letters Patent is hereby corrected as shown below:

On the cover page, at the end of the DESCRIPTION section,  
insert

--The broken lines in the drawings are for illustrative  
purposes only and form no part of the claimed design.--

Signed and Sealed this  
Thirty-first Day of August, 1993



Attest:

BRUCE LEHMAN

Attesting Officer

Commissioner of Patents and Trademarks