



US00D325252S

United States Patent [19]

[11] Patent Number: **Des. 325,252**

Morris et al.

[45] Date of Patent: **** Apr. 7, 1992**

[54] **PORTABLE AIR CLEANER UNIT**

4,244,710 1/1981 Burger 422/4
4,790,863 12/1988 Nobiraki et al. 55/385.1
4,894,071 1/1990 Klein 55/356

[75] Inventors: **David H. Morris; Douglas D. Morris; Gregory A. Morris**, all of Piqua, Ohio

FOREIGN PATENT DOCUMENTS

[73] Assignee: **D. Morris Sheet Metal, Inc.**, Piqua, Ohio

209459 4/1909 Fed. Rep. of Germany 55/356

[**] Term: **14 Years**

Primary Examiner—James M. Gandy
Assistant Examiner—Lisa Lichtenstein
Attorney, Agent, or Firm—Jacox & Meckstroth

[21] Appl. No.: **572,369**

[57] CLAIM

[22] Filed: **Aug. 27, 1990**

The ornamental design of a portable air cleaner unit, as shown.

[52] U.S. Cl. **D23/364**

[58] Field of Search **D23/364, 365; 55/356, 55/385.1; 4/120, 5; D34/18, 19**

DESCRIPTION

[56] **References Cited**

FIG. 1 is a front, top, and right side perspective view of a portable air cleaner unit, showing our new design; FIG. 2 is an enlarged front elevation view thereof; FIG. 3 is an enlarged rear elevation view thereof; FIG. 4 is an enlarged right side elevation view thereof; FIG. 5 is an enlarged left side elevation view thereof; FIG. 6 is an enlarged top plan view thereof; and, FIG. 7 is an enlarged bottom plan view thereof.

U.S. PATENT DOCUMENTS

D. 166,577 4/1952 Smey D34/19
D. 228,631 10/1973 Rosgove et al. D34/18
D. 312,304 11/1990 Sexton D23/364
2,981,549 4/1961 Hotton D34/19
4,163,650 8/1979 Watson et al. 55/356

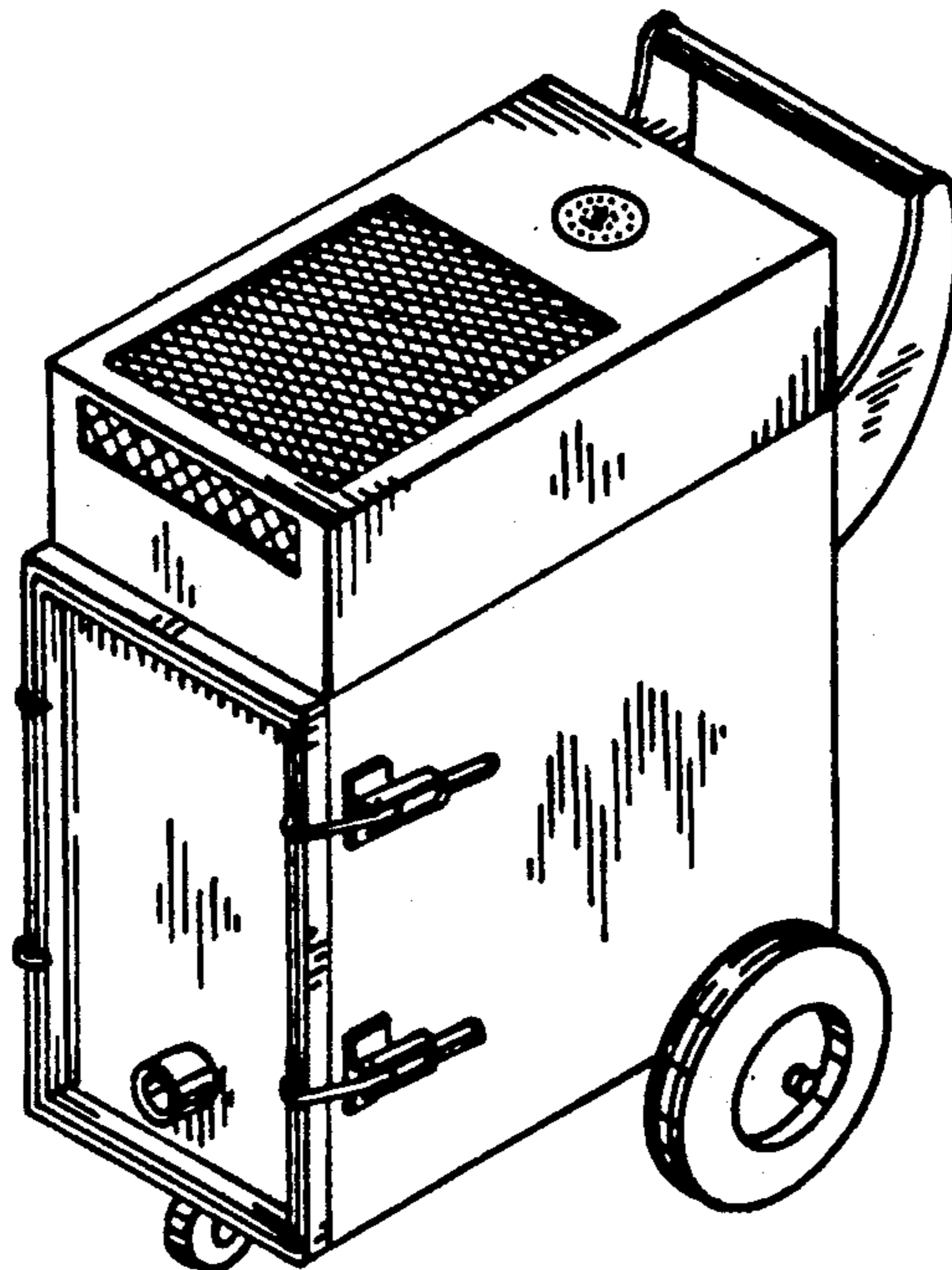


FIG-1

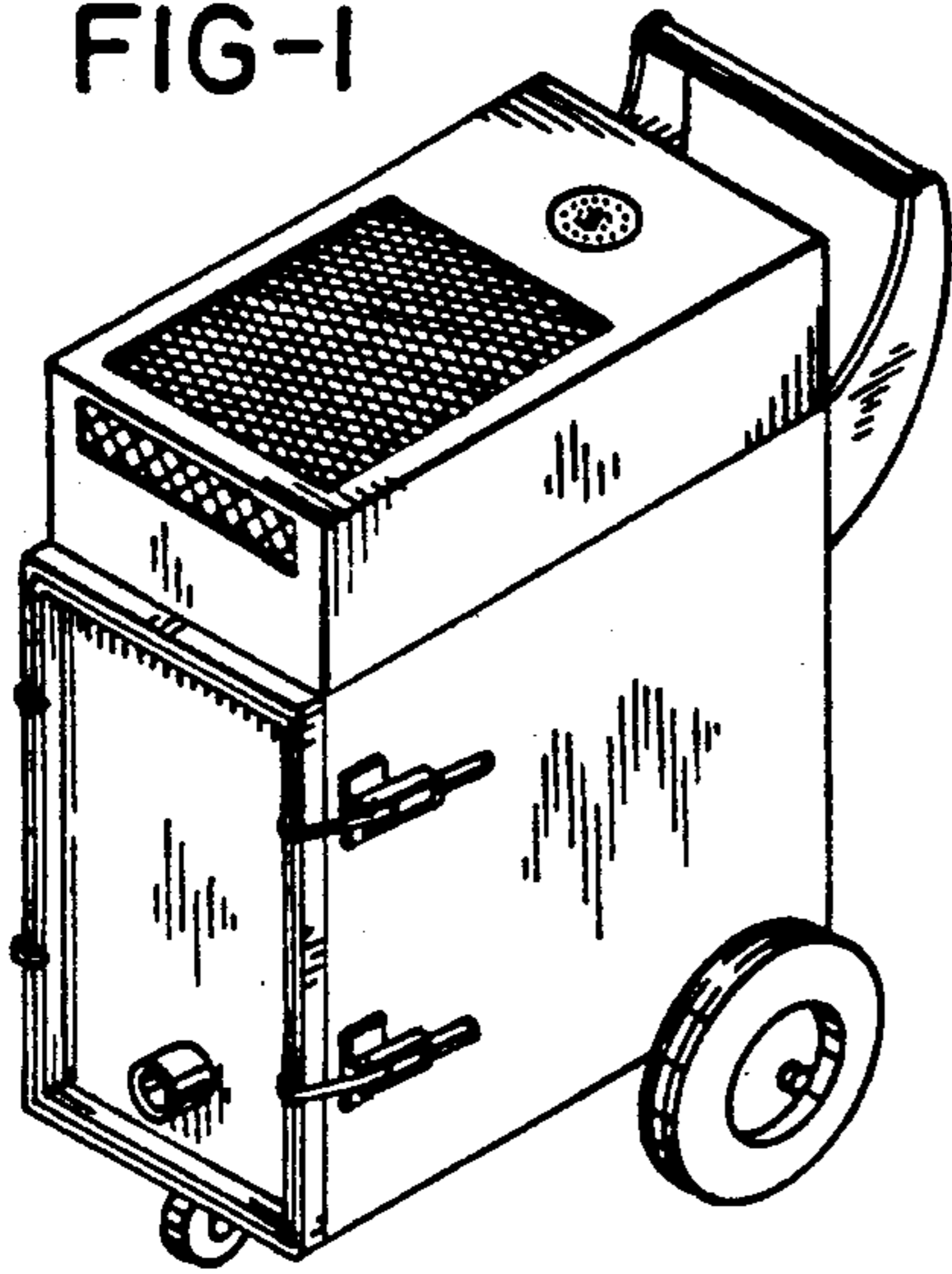


FIG-2

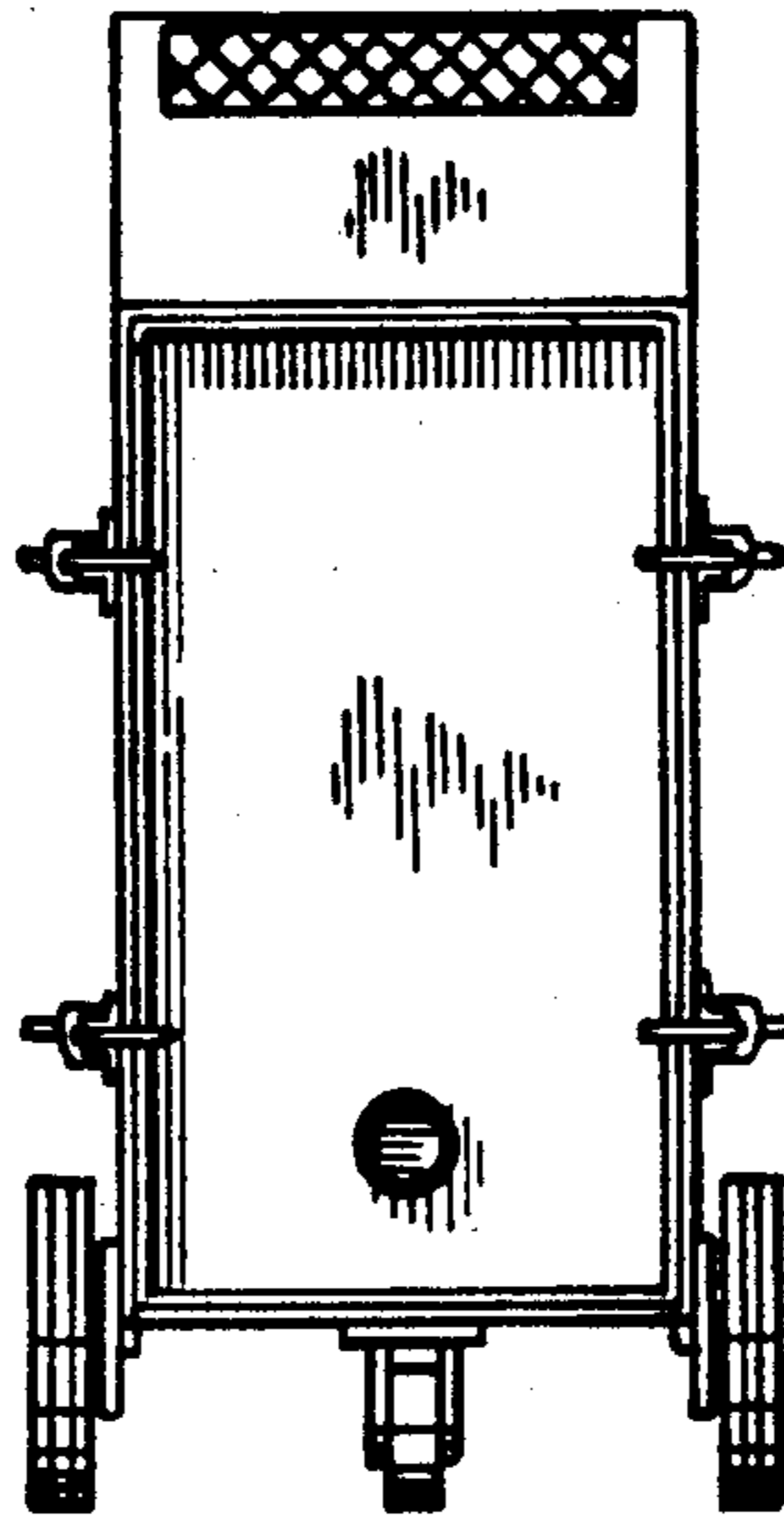


FIG-3

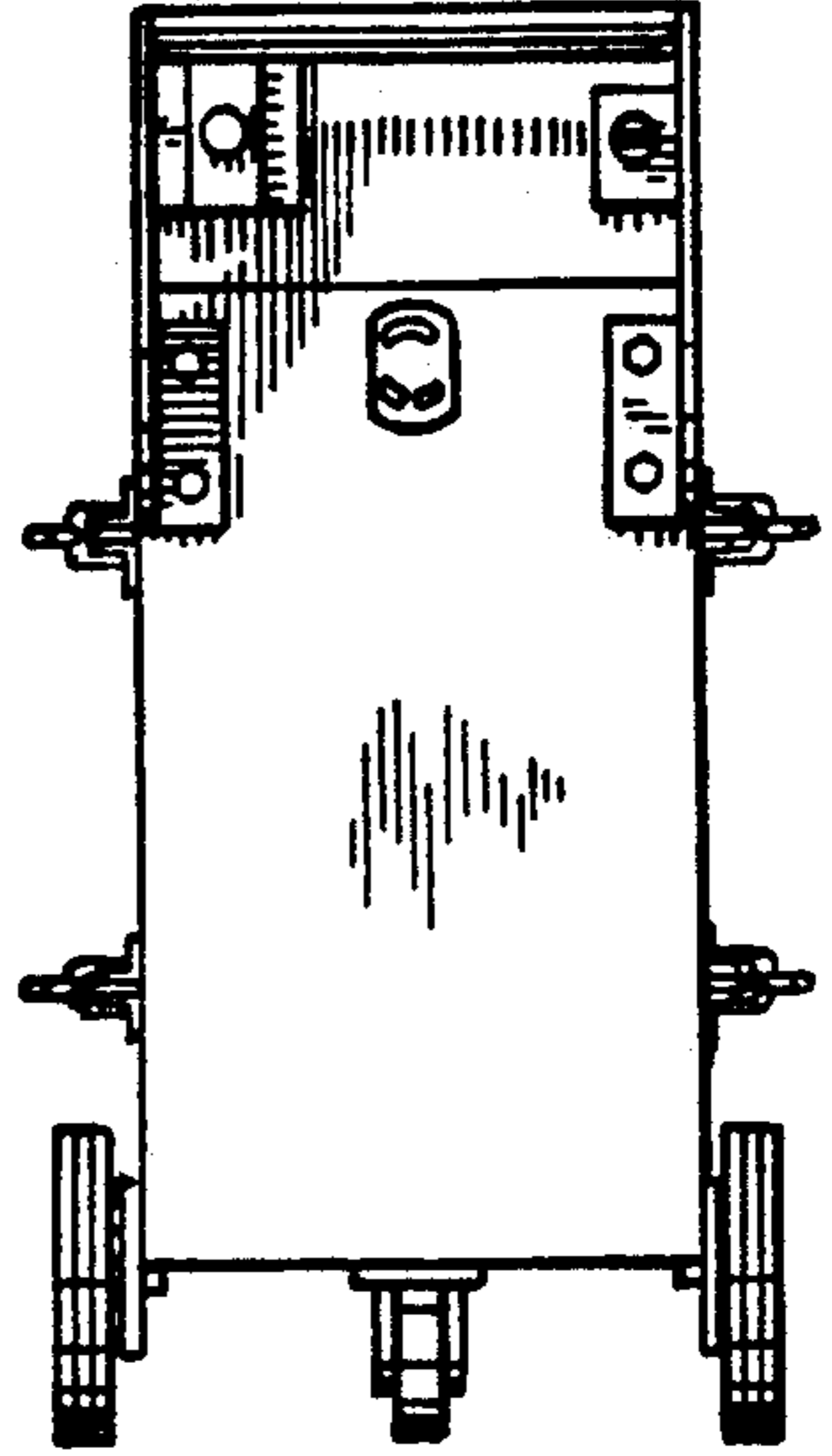


FIG-4

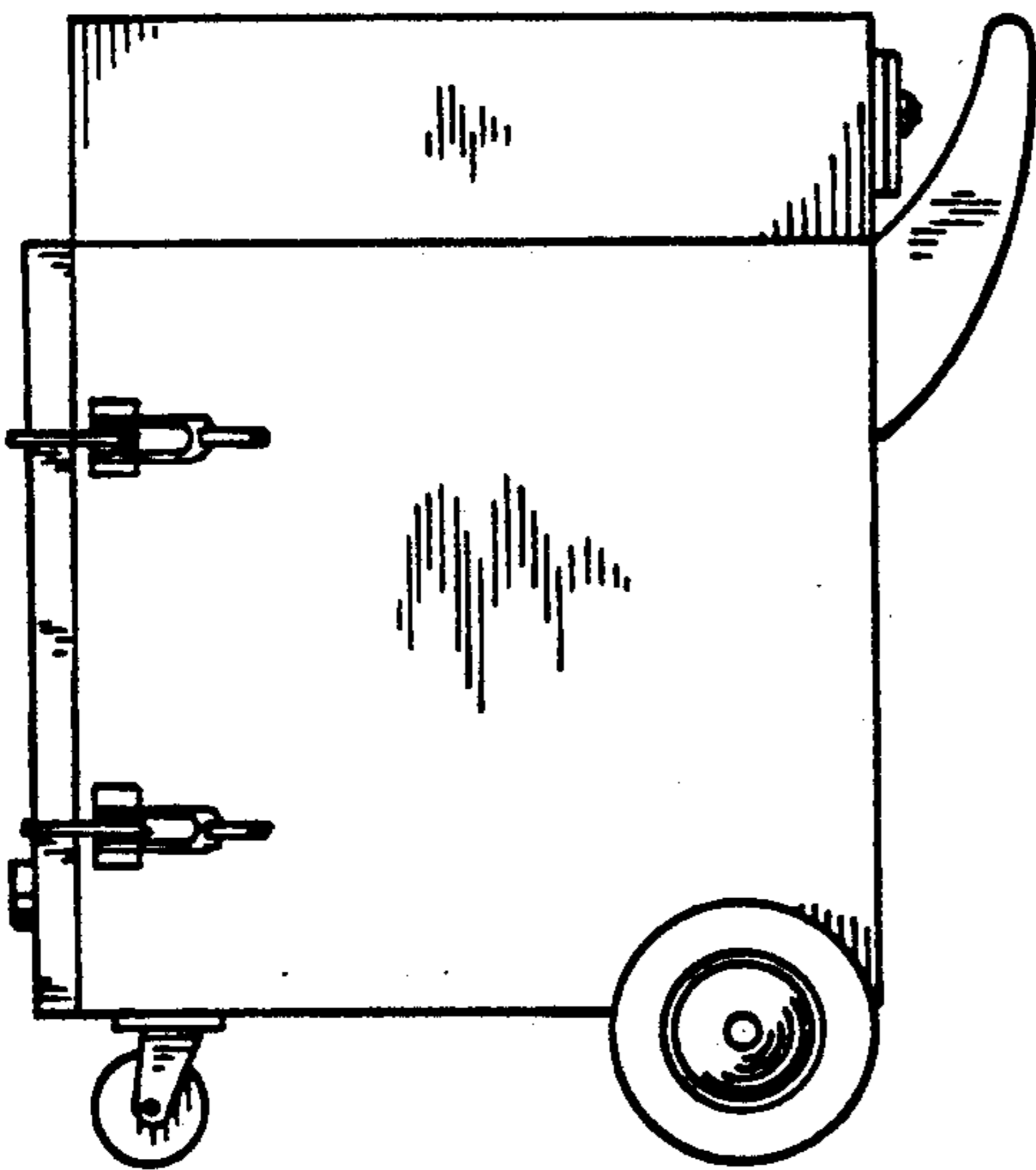


FIG-5

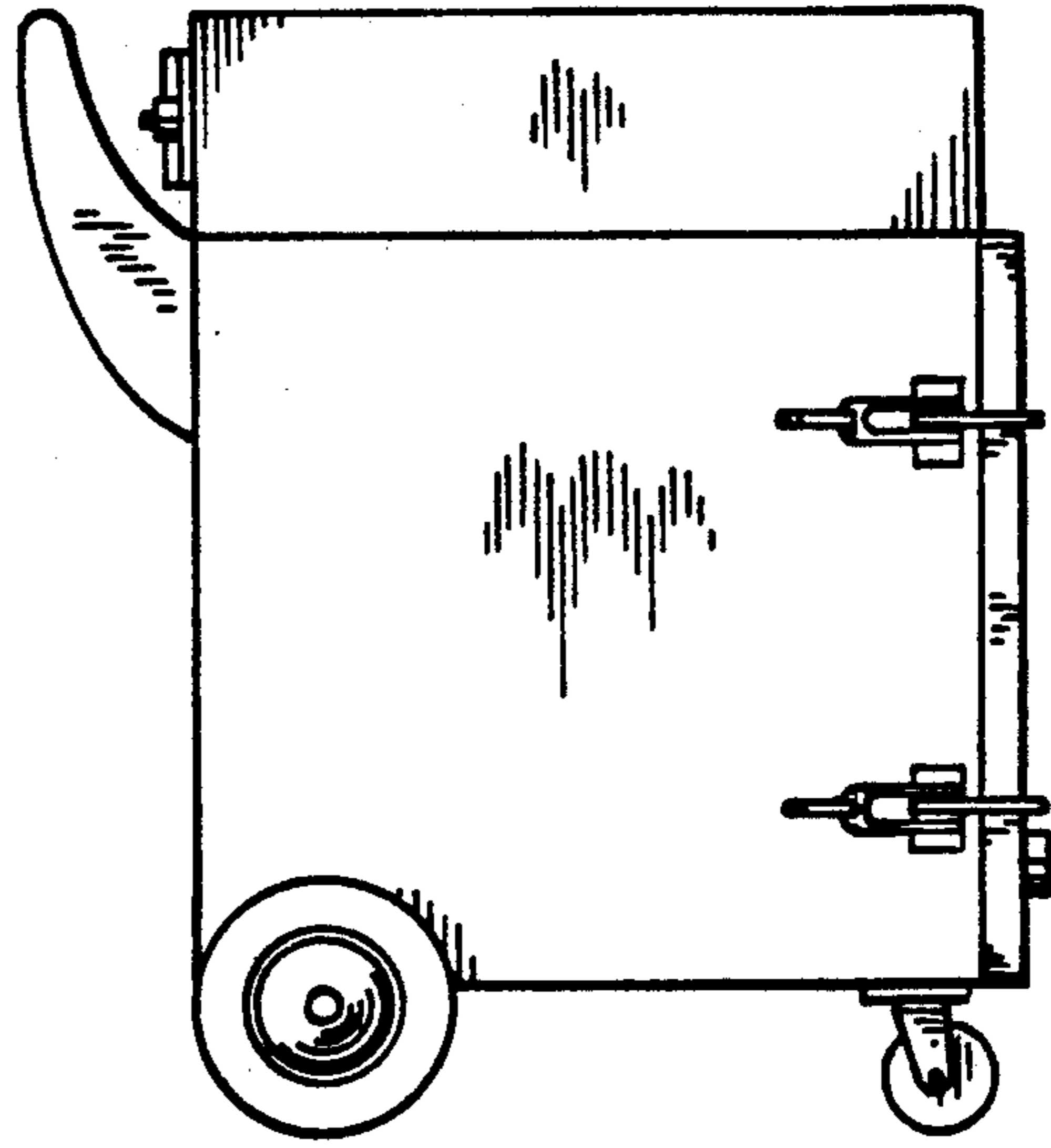


FIG-6

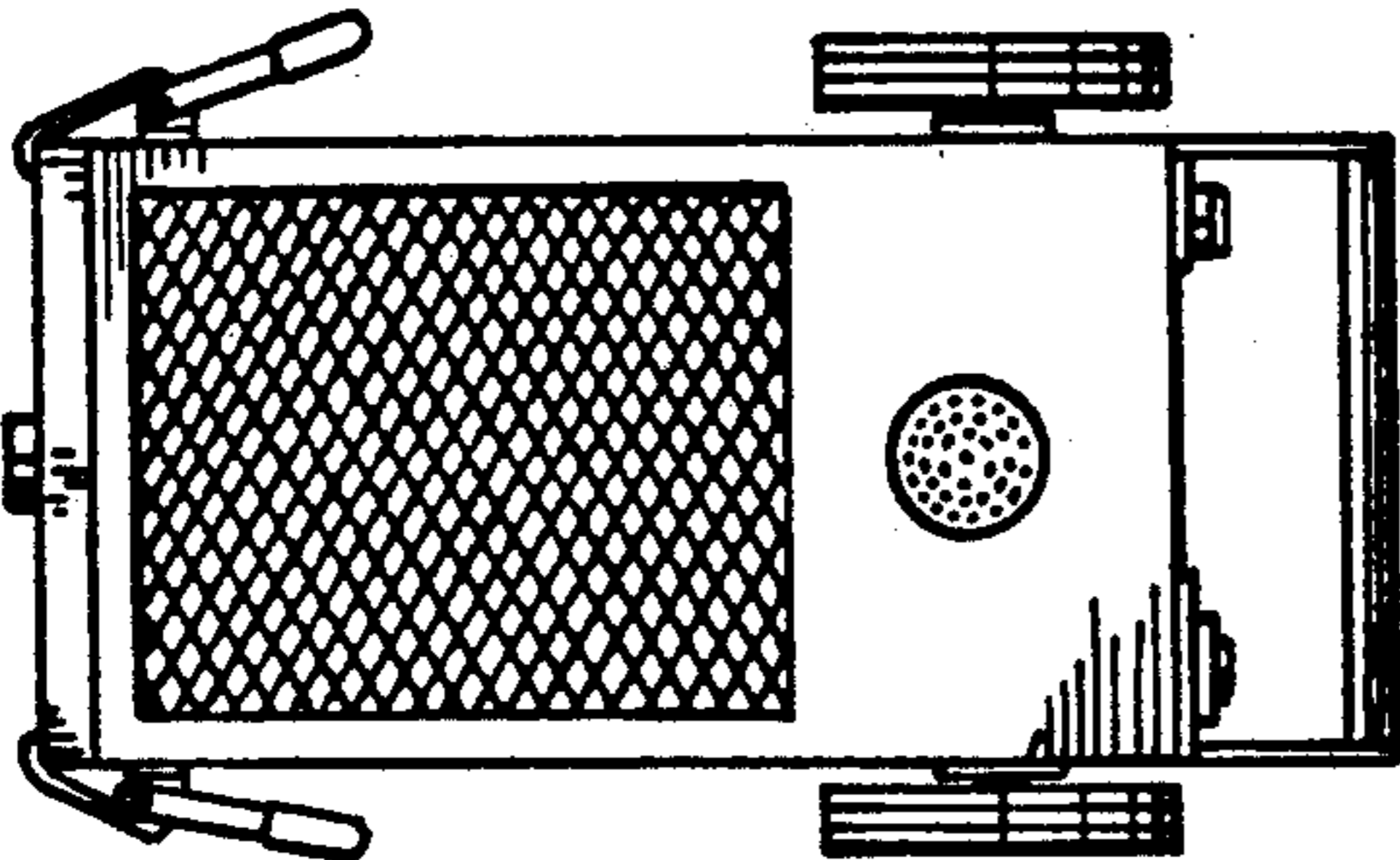


FIG-7

