



US00D325249S

United States Patent [19]
Kliebert

[11] **Patent Number: Des. 325,249**
[45] **Date of Patent: ** Apr. 7, 1992**

[54] **SPLASH GUARD**

[76] **Inventor: Elbert J. Kliebert, 8023
Addicks-Clodine, Houston, Tex.
77083**

[**] **Term: 14 Years**

[21] **Appl. No.: 481,389**

[22] **Filed: Feb. 20, 1990**

Related U.S. Application Data

[60] **Continuation-in-part of Ser. No. 150,580, Feb. 1, 1988,
abandoned, which is a division of Ser. No. 838,252,
Mar. 10, 1986, Pat. No. 4,722,103.**

[52] **U.S. Cl. D23/308**

[58] **Field of Search D23/249, 278, 296, 297,
D23/303-313; 4/658**

[56] **References Cited**

U.S. PATENT DOCUMENTS

D. 46,529 10/1914 Hussey D23/308
D. 171,756 3/1954 Haggstrom D23/308
2,692,991 11/1954 Church 4/658

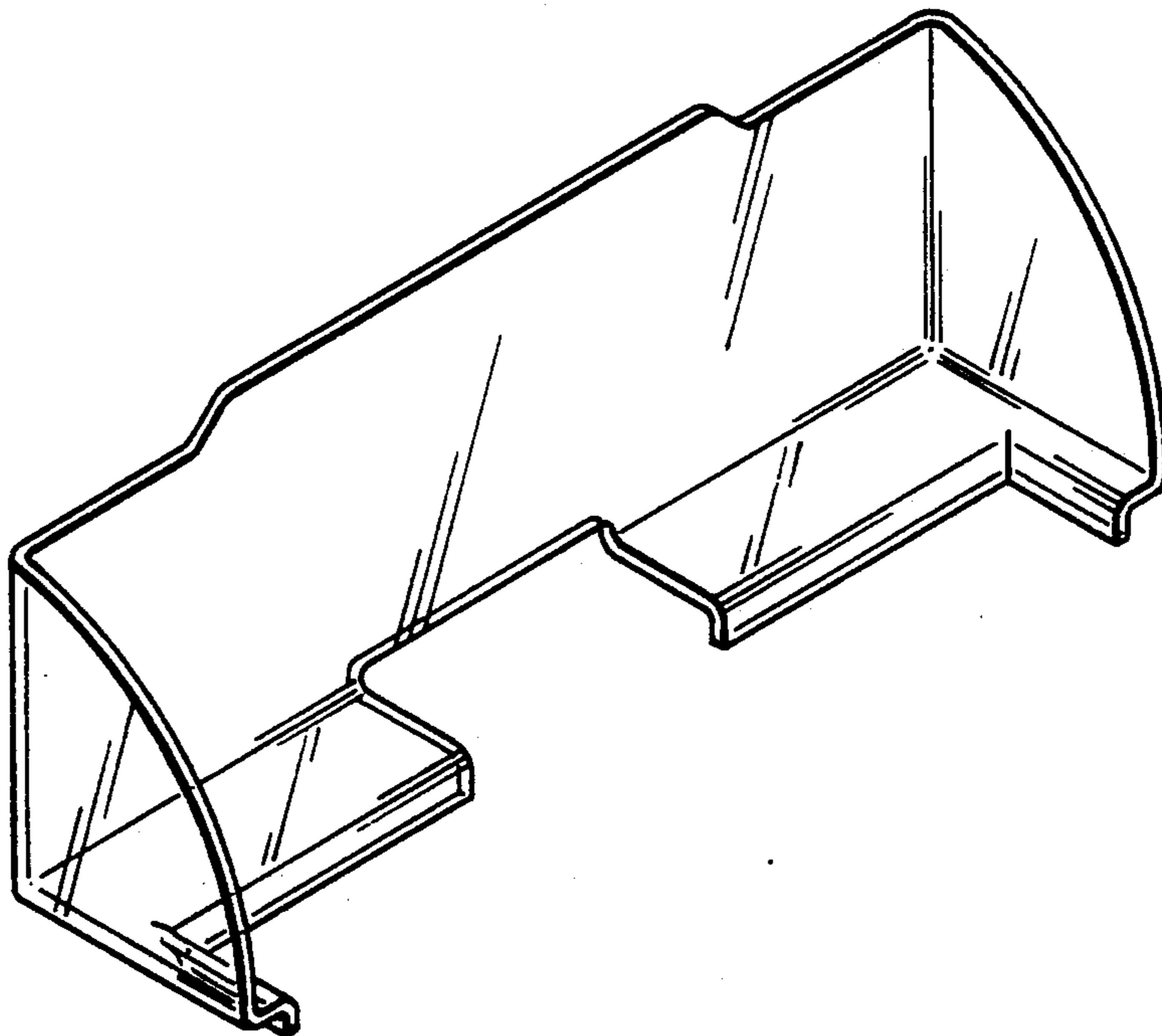
Primary Examiner—James R. Largen
Attorney, Agent, or Firm—William E. Shull

[57] **CLAIM**

The ornamental design for a splash guard, as shown and described.

DESCRIPTION

FIG. 1 is a perspective view taken from the top, front and left side of a splash guard showing my new design; FIG. 2 is a left side elevational view thereof; the right side being a mirror image of the left side; FIG. 3 is a front elevational view thereof; FIG. 4 is a rear elevational view thereof; FIG. 5 is a top plan view thereof; and, FIG. 6 is a bottom plan view thereof.



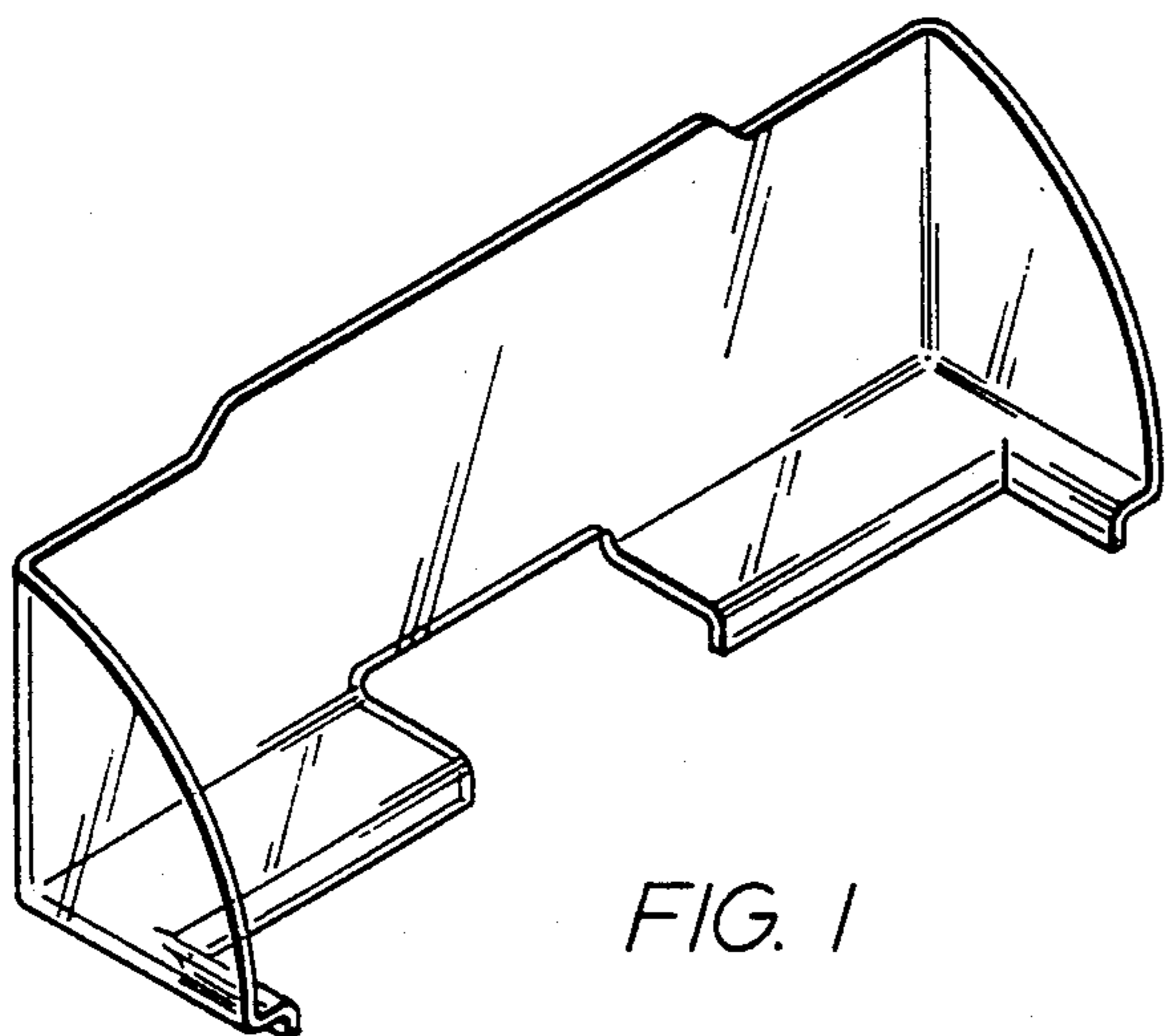


FIG. 1



FIG. 2

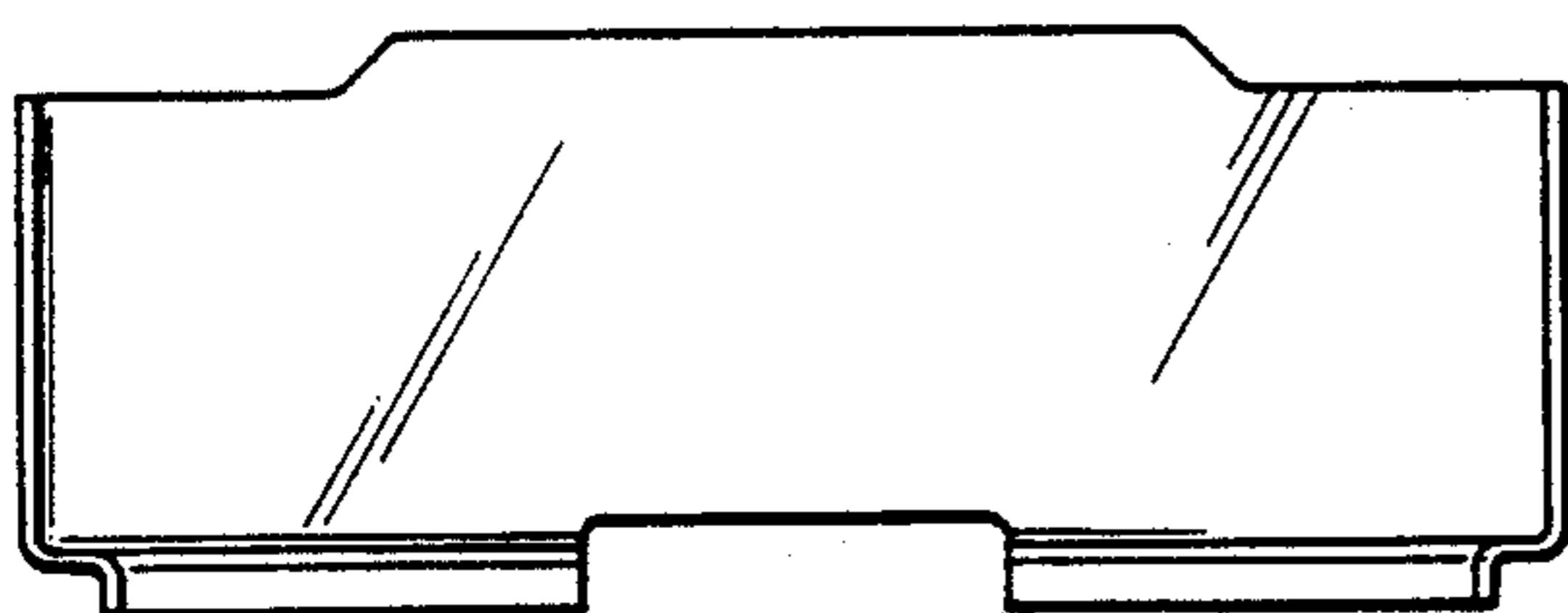


FIG. 3

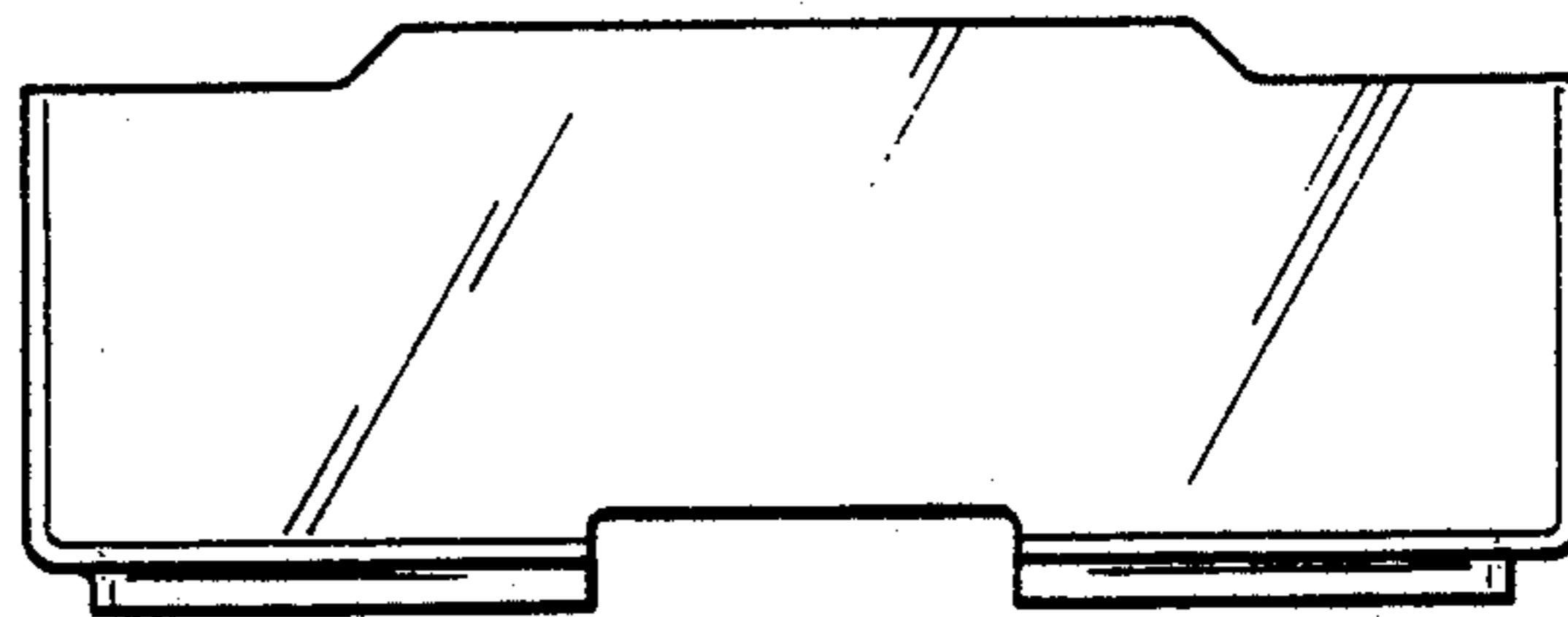


FIG. 4

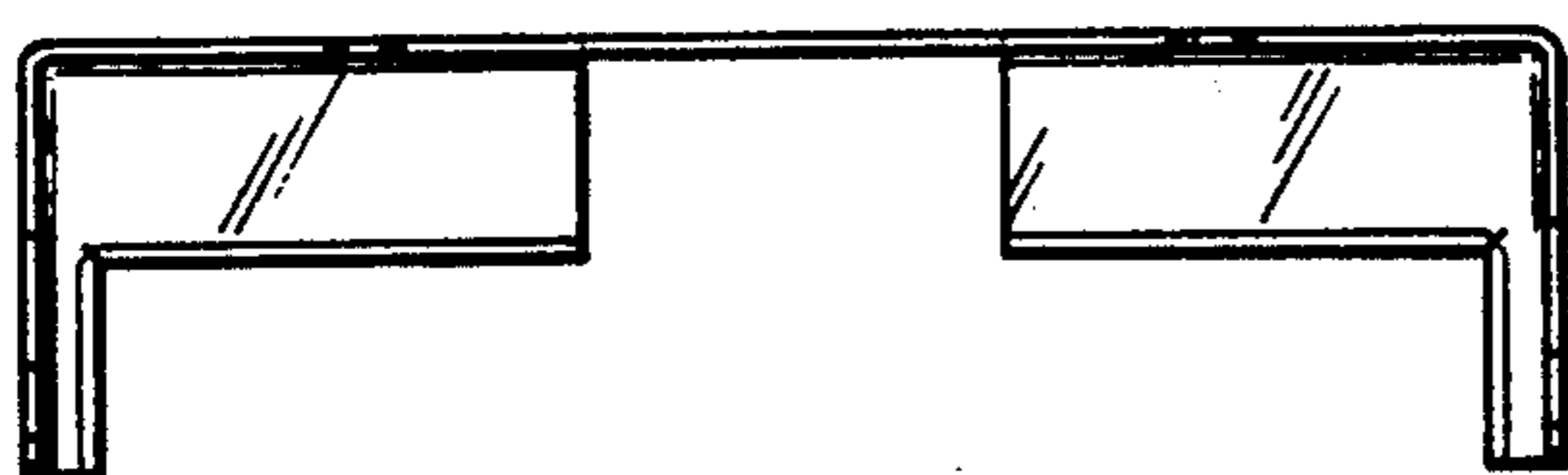


FIG. 5

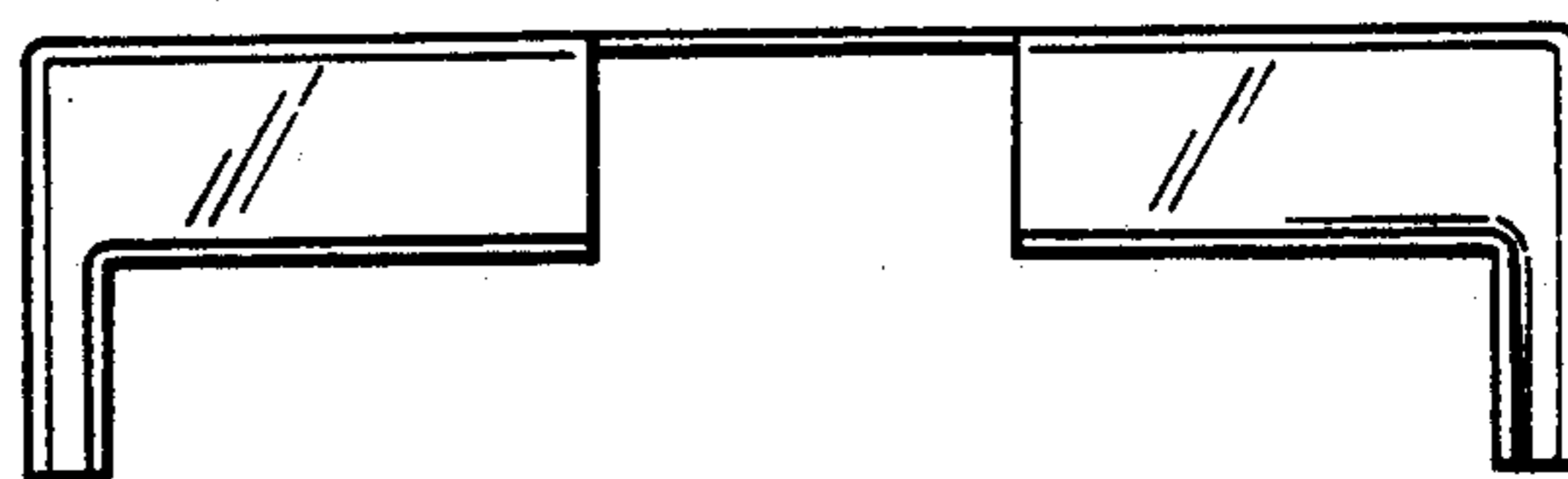


FIG. 6