



US00D325247S

**United States Patent** [19]  
**Stainton**

[11] **Patent Number: Des. 325,247**  
[45] **Date of Patent: \*\* Apr. 7, 1992**

[54] **LAVATORY**

[75] **Inventor: Tricia Stainton, London, England**

[73] **Assignee: American Standard, Inc., New York, N.Y.**

[\*\*] **Term: 14 Years**

[21] **Appl. No.: 196,586**

[22] **Filed: May 20, 1988**

[30] **Foreign Application Priority Data**

Nov. 20, 1987	[GB]	United Kingdom	1046485
Nov. 20, 1987	[GB]	United Kingdom	1046484
Nov. 20, 1987	[GB]	United Kingdom	1046486
Nov. 20, 1987	[GB]	United Kingdom	1046487
Nov. 20, 1987	[GB]	United Kingdom	1046488

[52] **U.S. Cl. D23/294**

[58] **Field of Search D23/270-274, D23/284-294, 8308; 4/619, 625, 630-659**

[56] **References Cited**

**U.S. PATENT DOCUMENTS**

D. 108,897	3/1938	Stanitz	D23/286
D. 187,635	4/1960	Dreyfuss	D23/294
D. 202,411	9/1965	Niemann	D23/294
D. 217,608	5/1970	Edgar	D23/294
D. 244,536	5/1977	Gruper	D23/294
D. 292,732	11/1987	Gates et al.	D23/292

**OTHER PUBLICATIONS**

American Standard, Inc. Catalog, pp. 3-25 & 3-25A, (©) 1981.

*Primary Examiner*—James R. Largen  
*Attorney, Agent, or Firm*—John P. Sinnott; Ann M. Knab

[57] **CLAIM**

The ornamental design for lavatory, as shown and described.

**DESCRIPTION**

FIG. 1 is a top plan view of a lavatory showing my new design;

FIG. 2 is a left side elevational view thereof, the right side being a mirror image of the left side;

FIG. 3 is a front elevational view thereof;

FIG. 4 is a rear elevational view thereof;

FIG. 5 is a bottom plan view thereof;

FIG. 6 is a top plan view of a second embodiment thereof;

FIG. 7 is a front elevational view of FIG. 6;

FIG. 8 is a left side elevational view of FIG. 6, the right side being a mirror image of the left side;

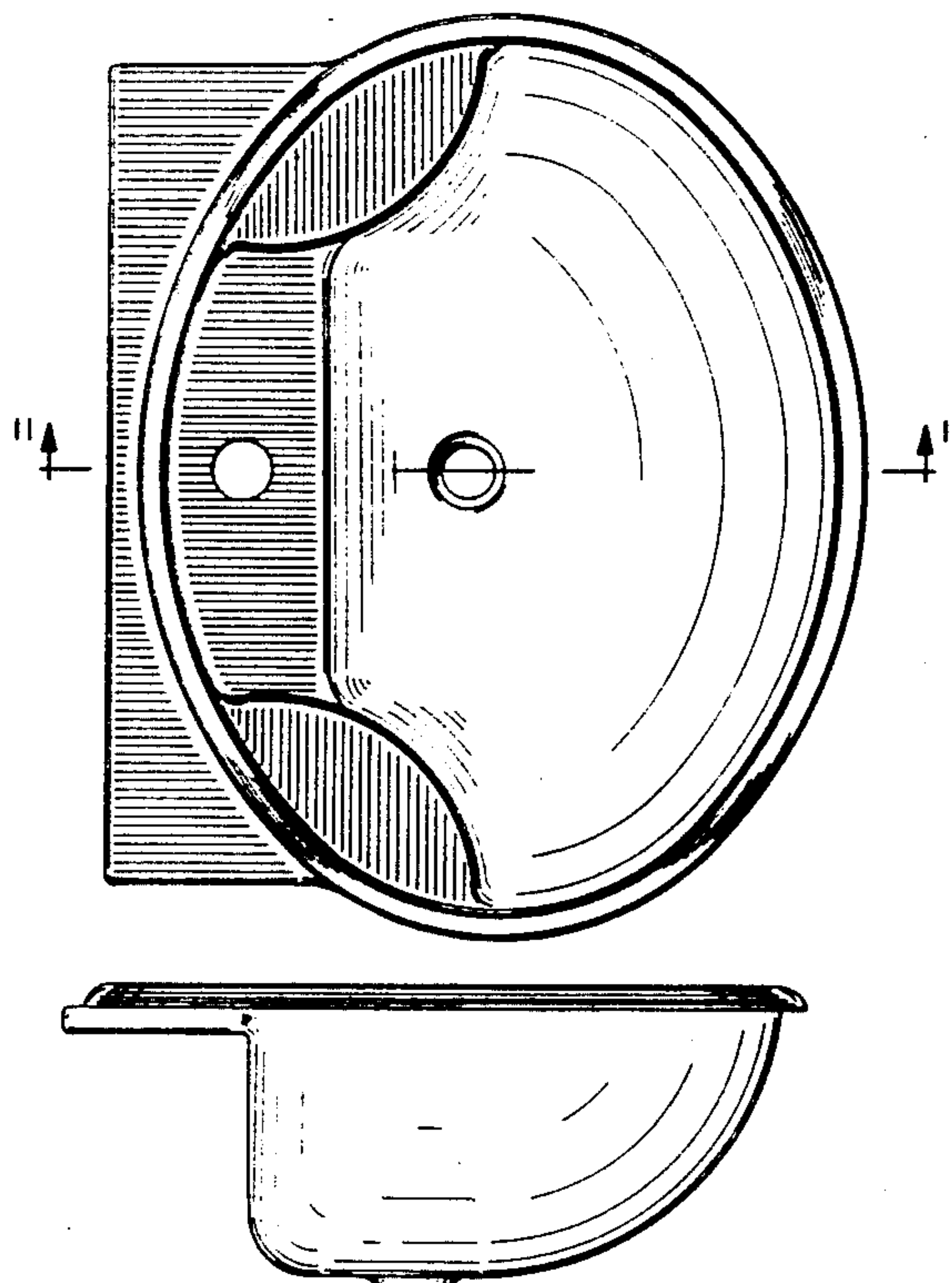
FIG. 9 is a rear elevational view of FIG. 6;

FIG. 10 is a bottom plan view of FIG. 6;

FIG. 11 is a cross sectional view taken on line 11-11 of FIG. 1; and,

FIG. 12 is a cross sectional view taken on line 12-12 of FIG. 6.

The characteristic feature of my design for sanitary-ware and the like resides in the three-dimensional striping of the finished layer.



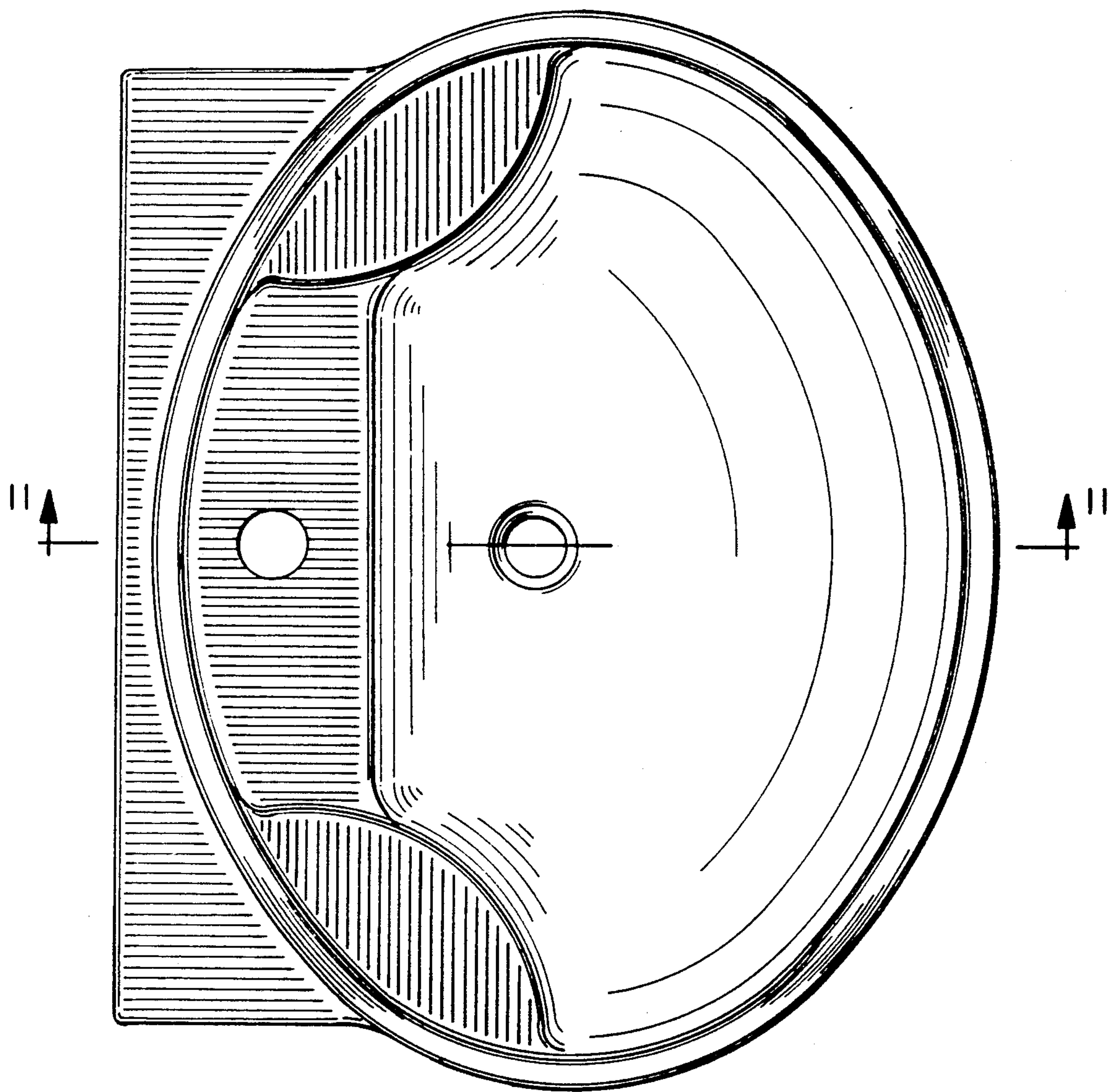


FIG. 1

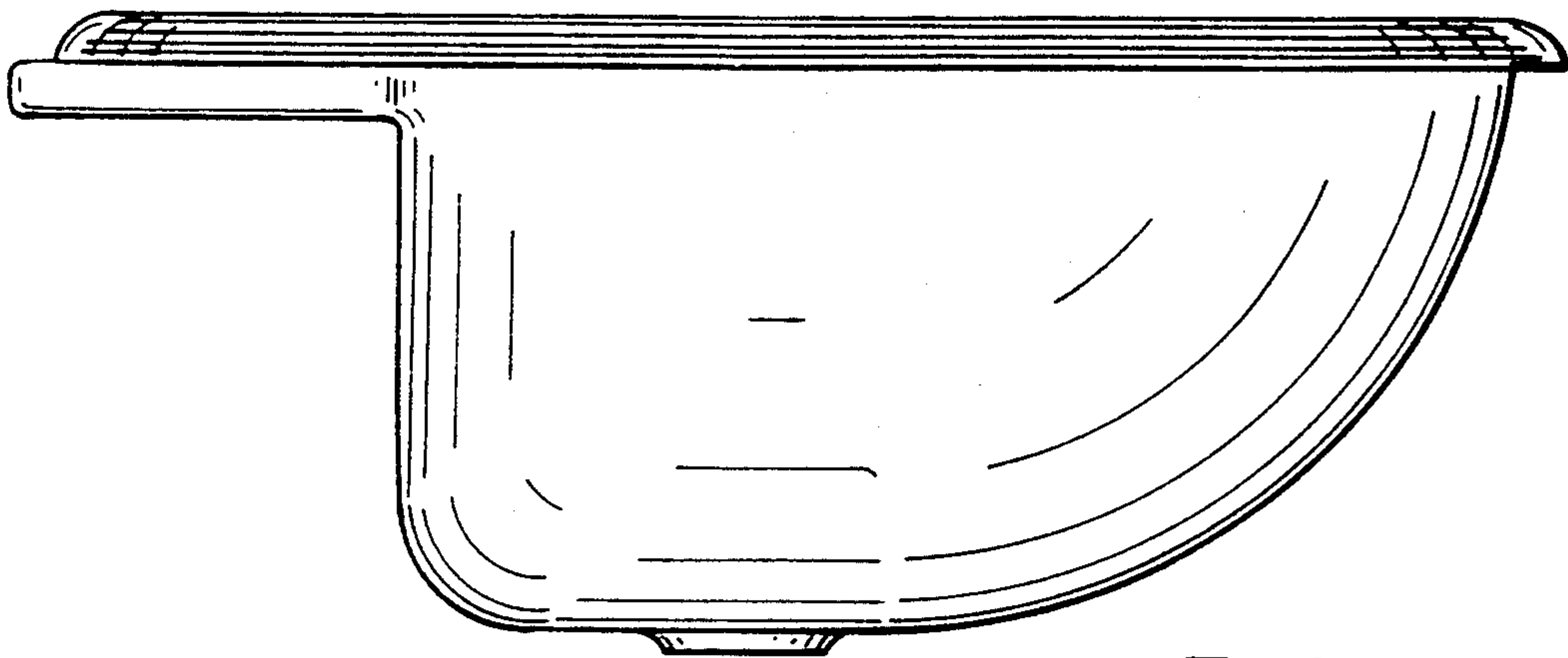


FIG. 2

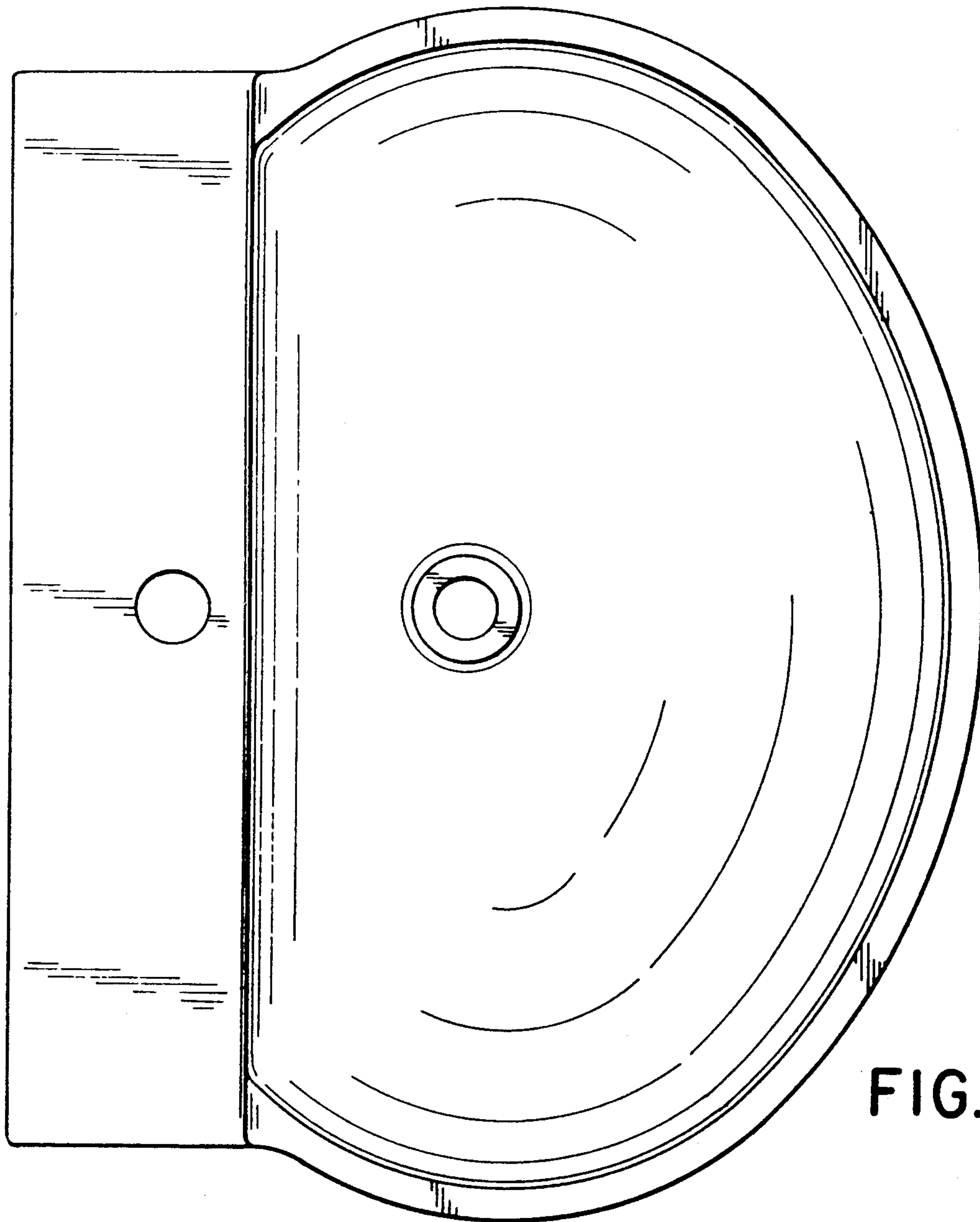


FIG. 5



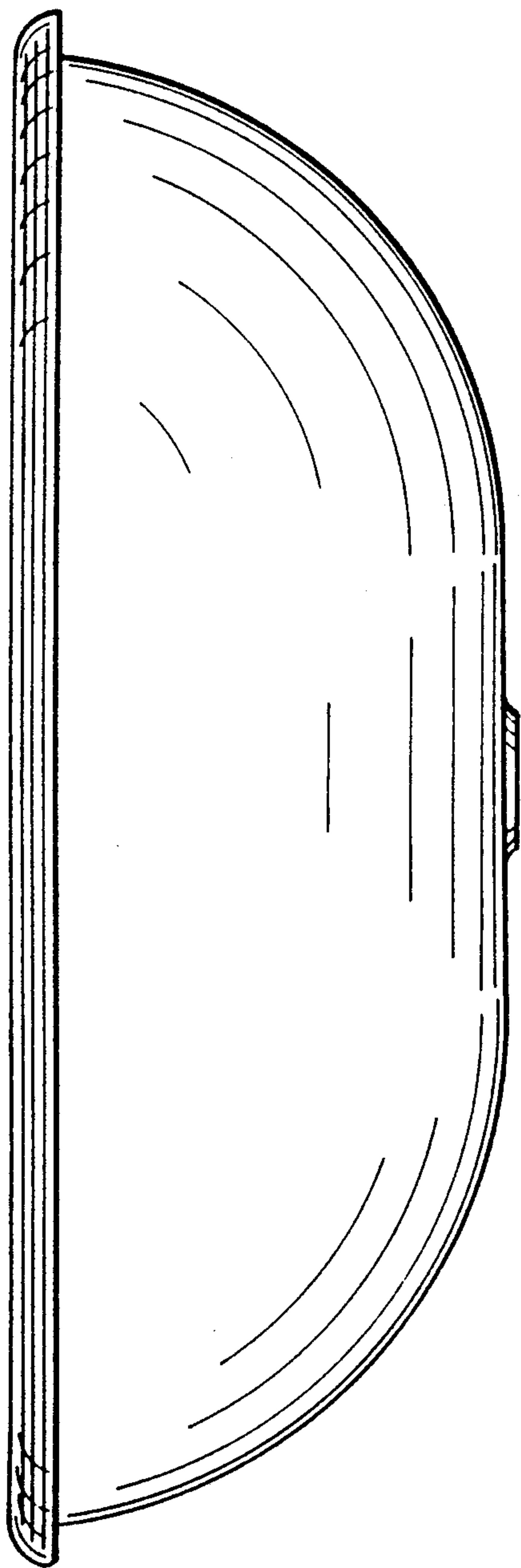


FIG. 3

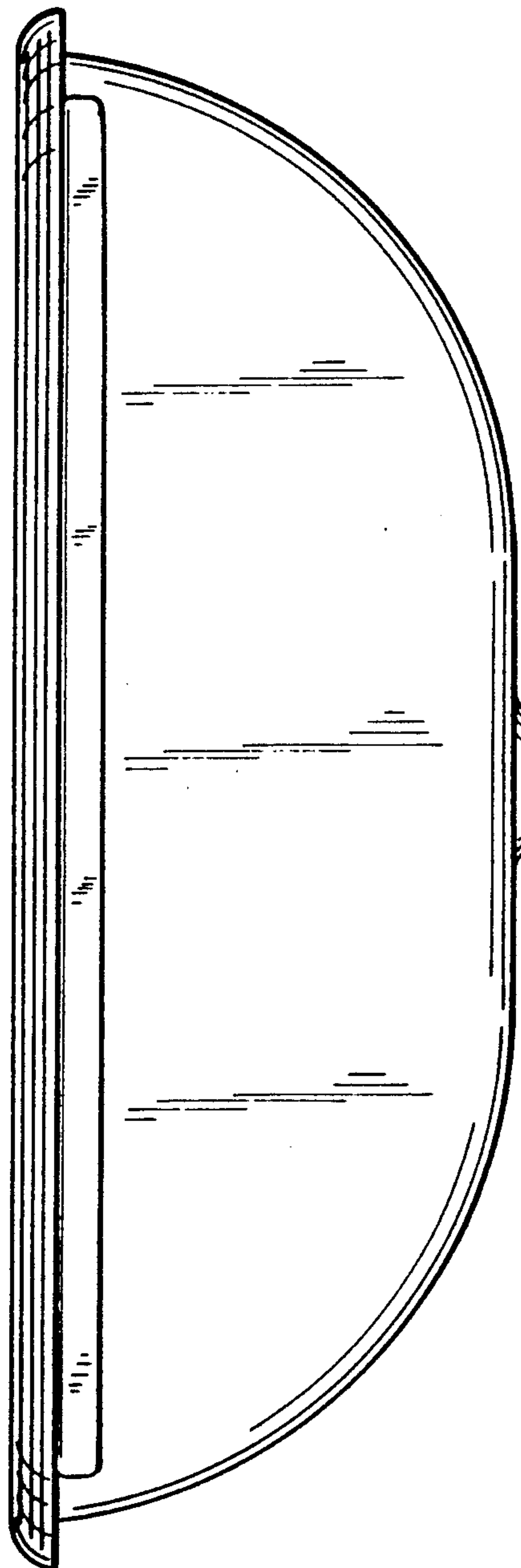


FIG. 4

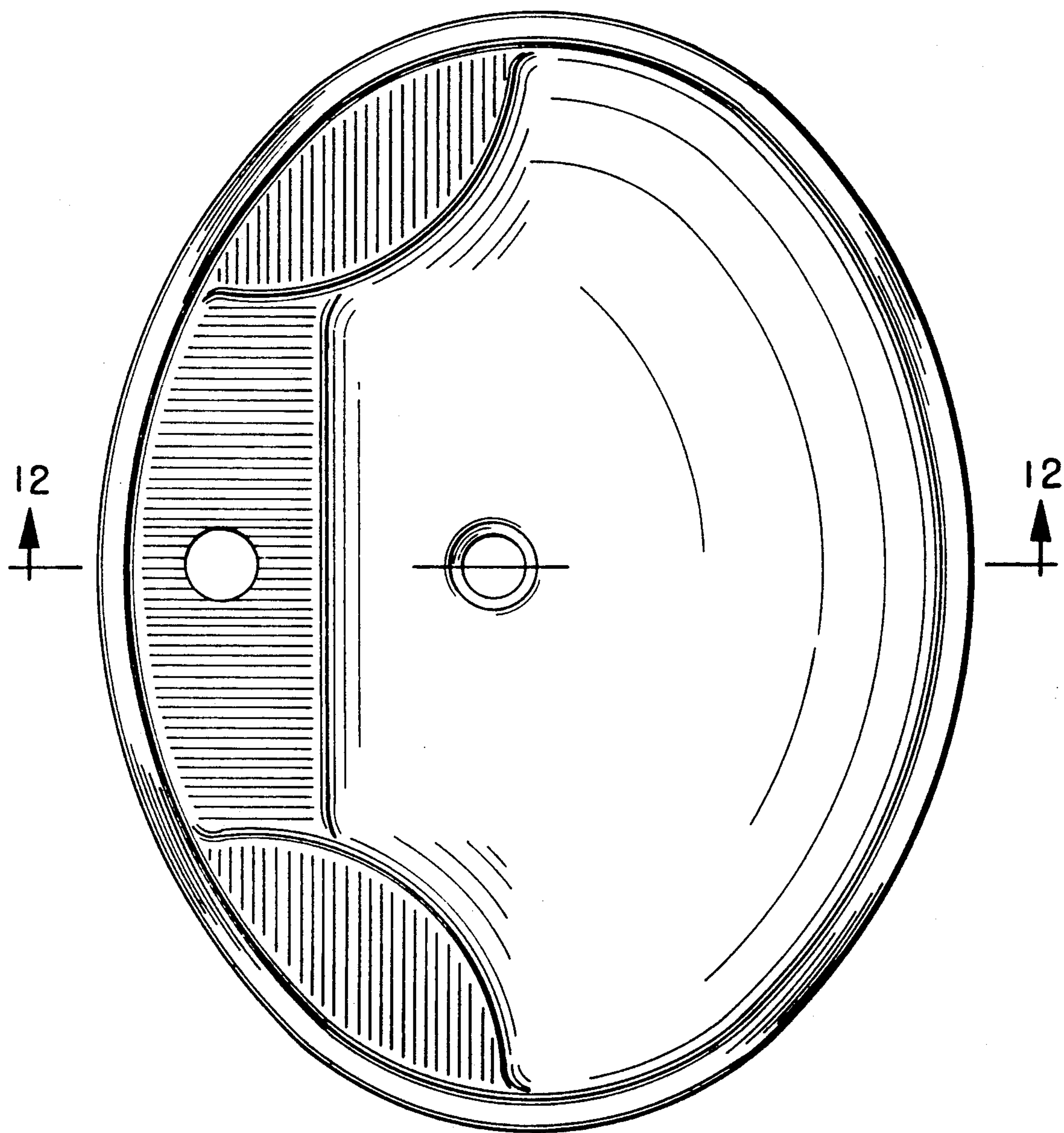


FIG. 6

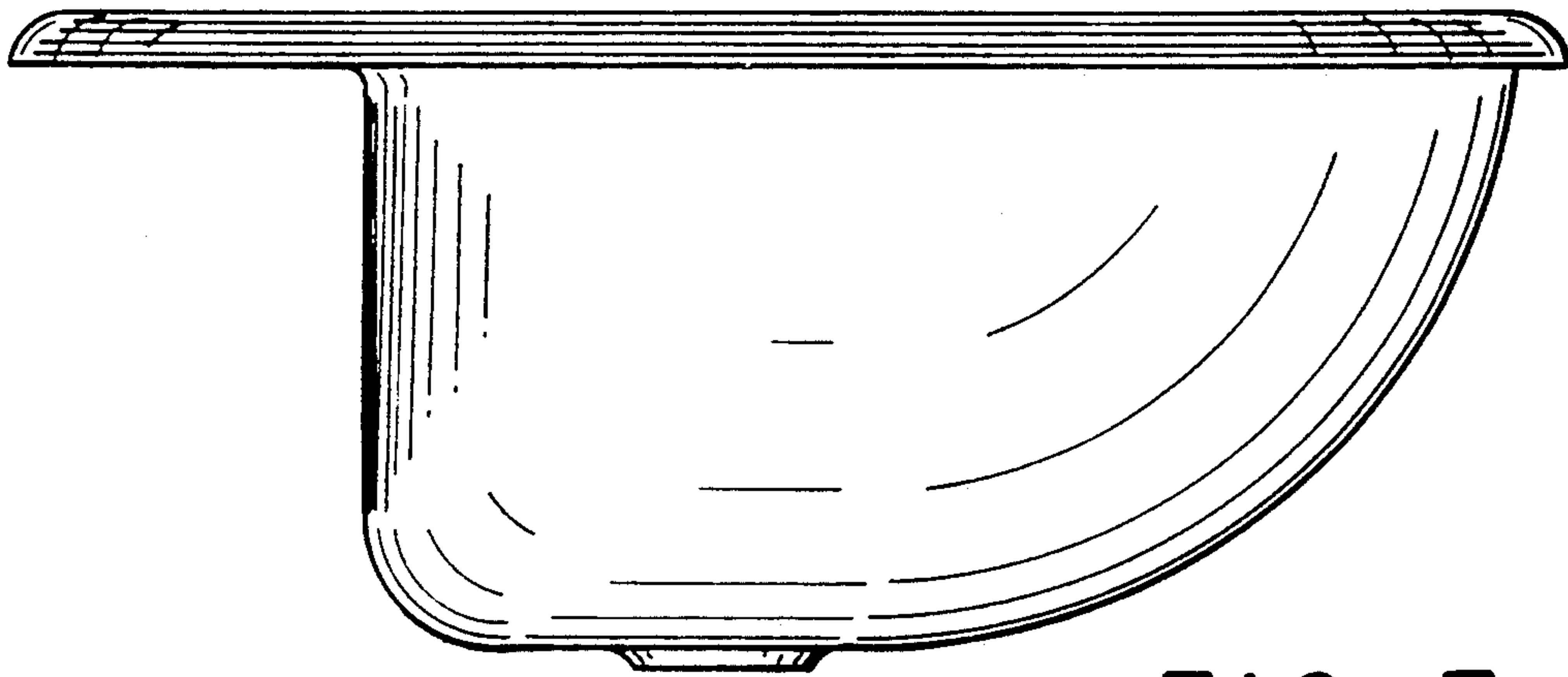


FIG. 7

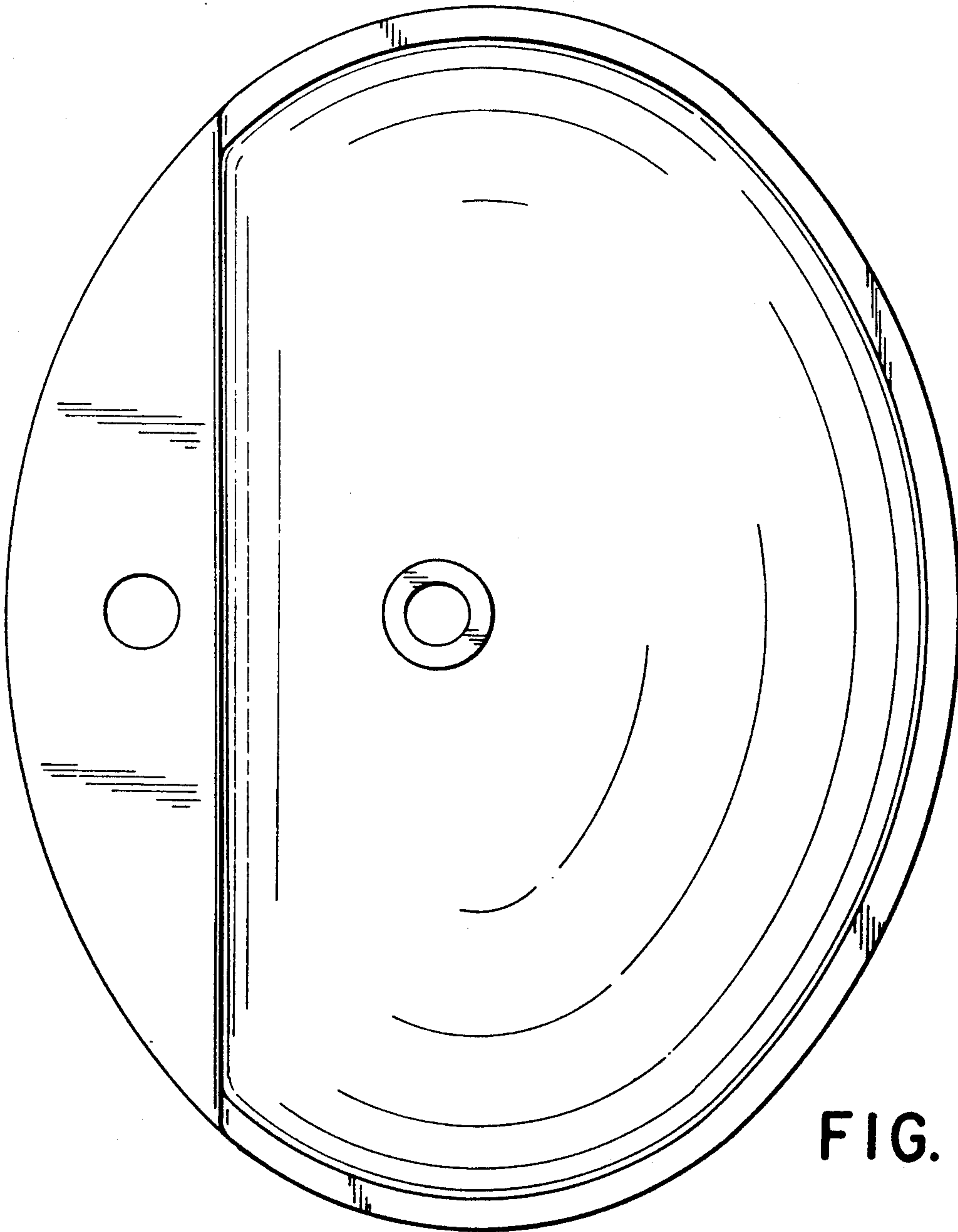


FIG. 10

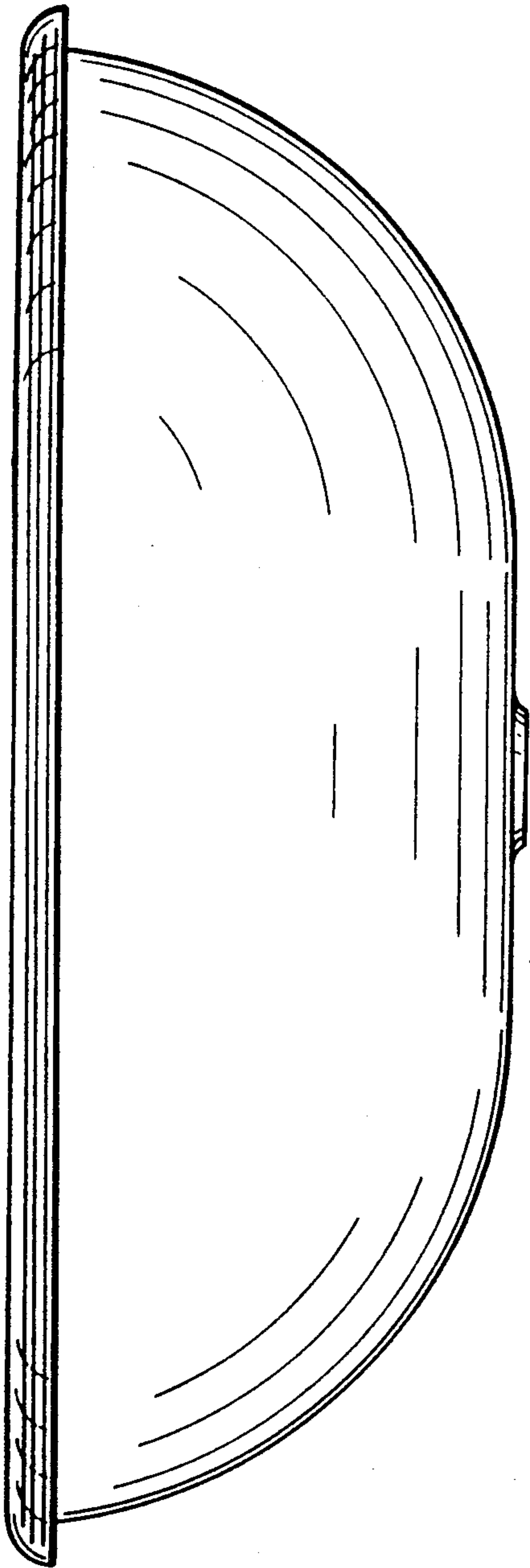


FIG. 8

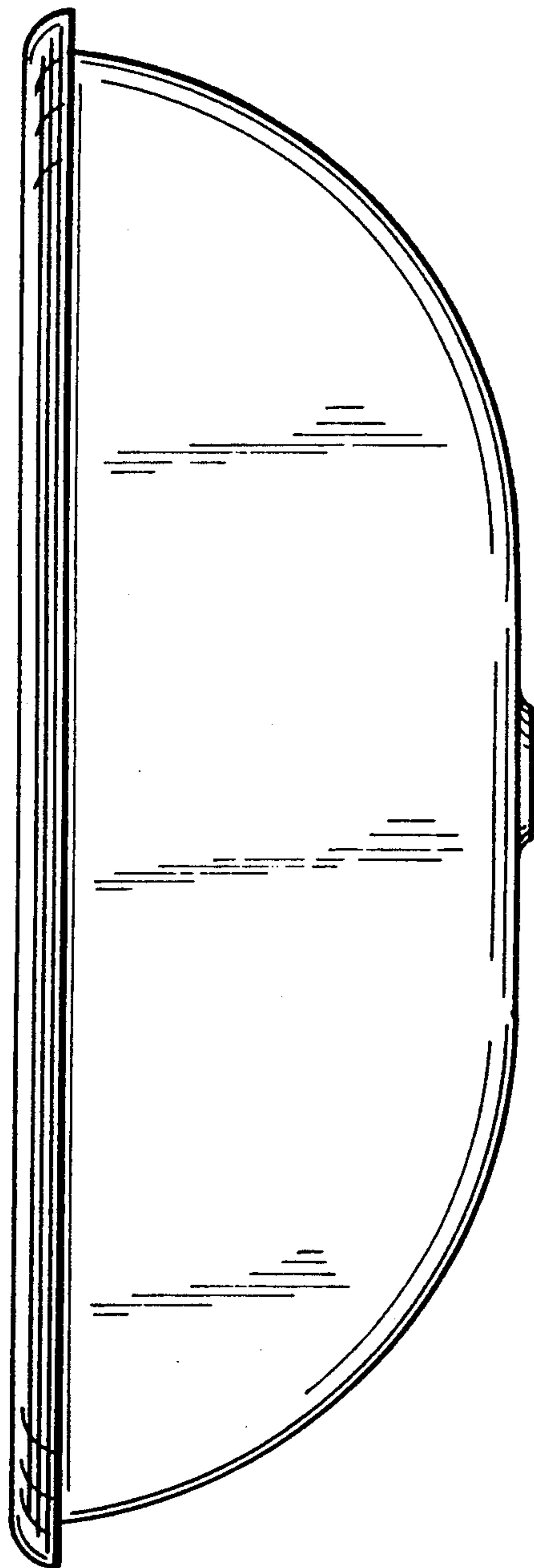


FIG. 9

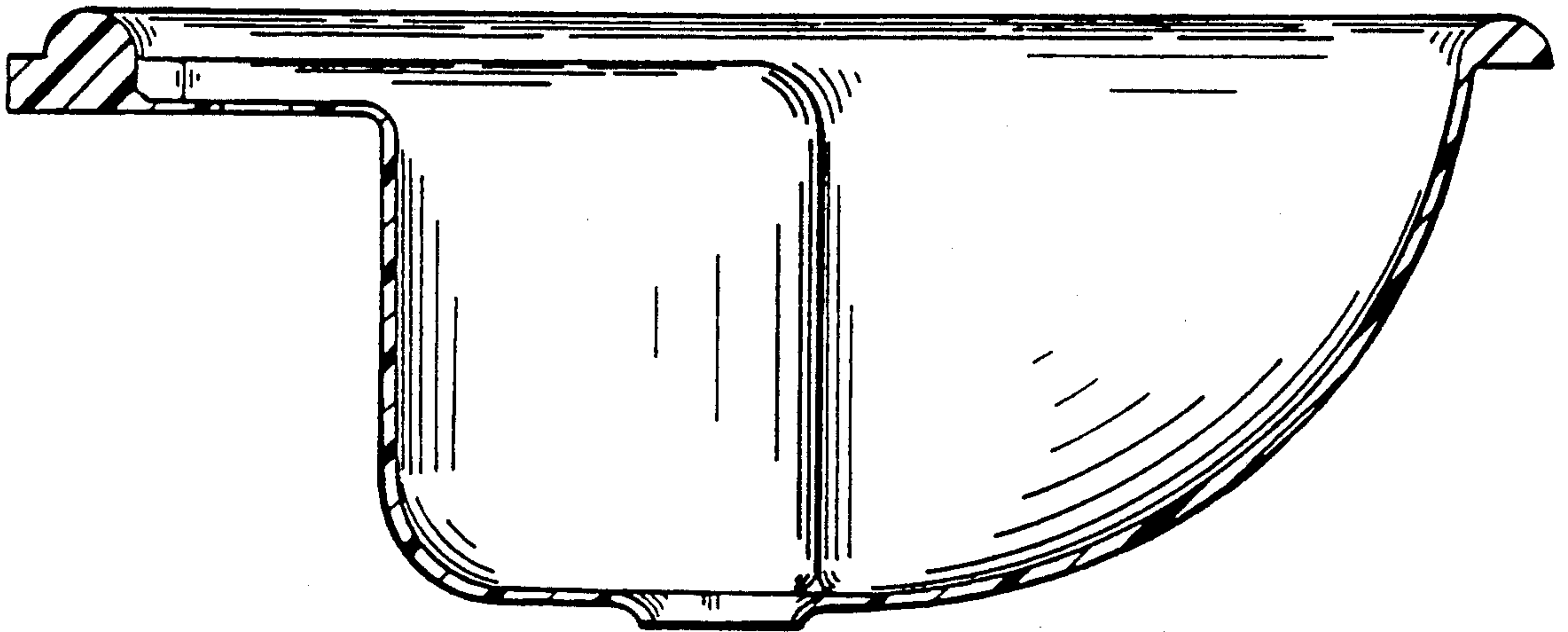


FIG. 11

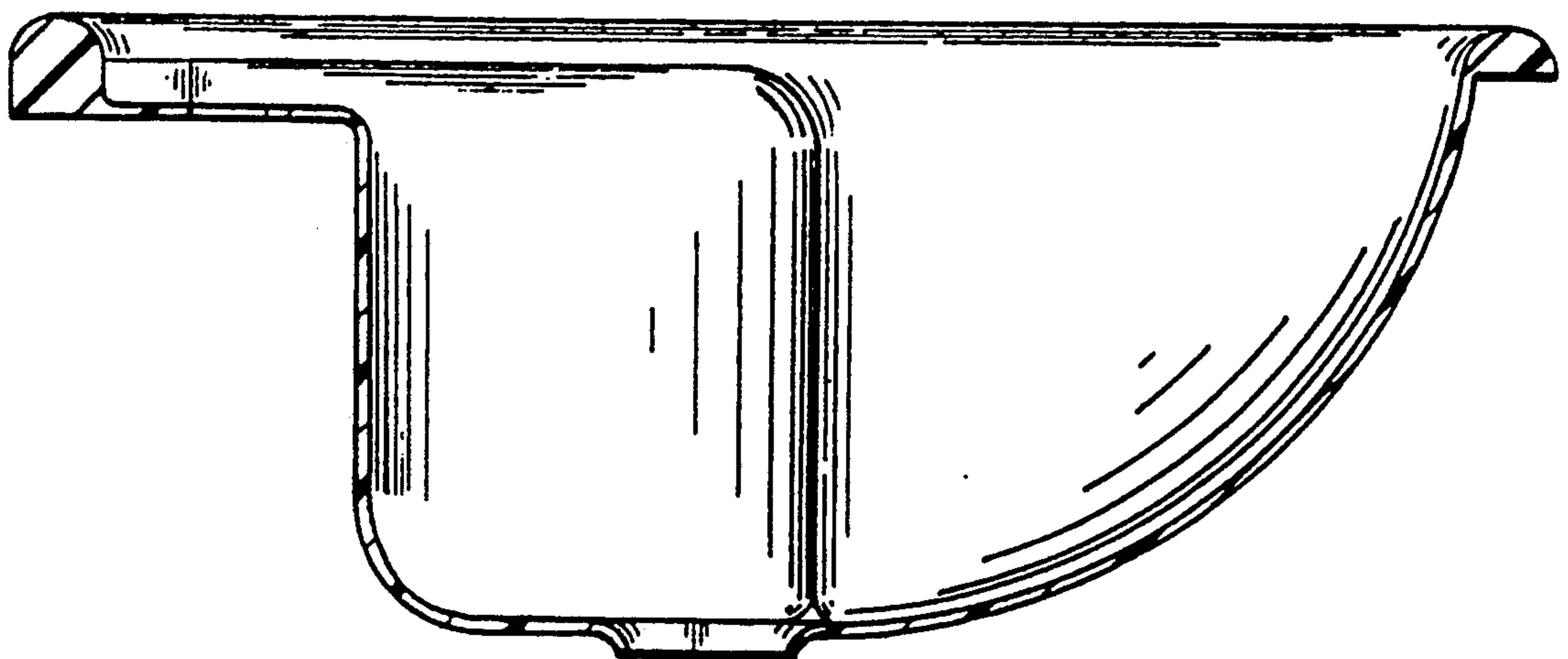


FIG. 12