



US00D325245S

United States Patent [19]

[11] Patent Number: **Des. 325,245**

Lenahan

[45] Date of Patent: **** Apr. 7, 1992**

[54] **BATHTUB**

[75] Inventor: **Scott Lenahan, Castaic, Calif.**

[73] Assignee: **Gruber Systems, Inc., Valencia, Calif.**

[**] Term: **14 Years**

[21] Appl. No.: **561,510**

[22] Filed: **Aug. 1, 1990**

[52] U.S. Cl. **D23/281**

[58] Field of Search **D23/275, 277-283, D23/303-307; D24/204, 205; 4/538, 555, 556, 571, 573-579, 584, 589, 590, 592, 593**

[56] **References Cited**

U.S. PATENT DOCUMENTS

D. 243,692	3/1977	Gruber	D23/281
D. 250,830	1/1979	Clement	D23/277
D. 264,628	5/1982	Longmire	D23/281 X
D. 266,692	10/1982	Harrison	D23/281
D. 267,190	12/1982	Harrison	D23/281

D. 274,454	6/1984	Robinson	D23/281
D. 274,835	7/1984	Gruber	D23/281
D. 287,397	12/1986	Cuttriss	D23/281
D. 314,817	2/1991	Lenahan	D23/281

Primary Examiner—James R. Largen
Attorney, Agent, or Firm—Poms, Smith, Lande & Rose

[57] **CLAIM**

The ornamental design for a bathtub, as shown and described.

DESCRIPTION

FIG. 1 is a front elevational view of a bathtub showing my new design, the rear being the same as the front; FIG. 2 is a top plan view thereof; FIG. 3 is a bottom plan view thereof; FIG. 4 is a side elevational view thereof, the opposite side being the same as the side shown; FIG. 5 is a cross sectional view taken on line 5—5 of FIG. 2; and, FIG. 6 is a cross sectional view taken on line 6—6 of FIG. 2.

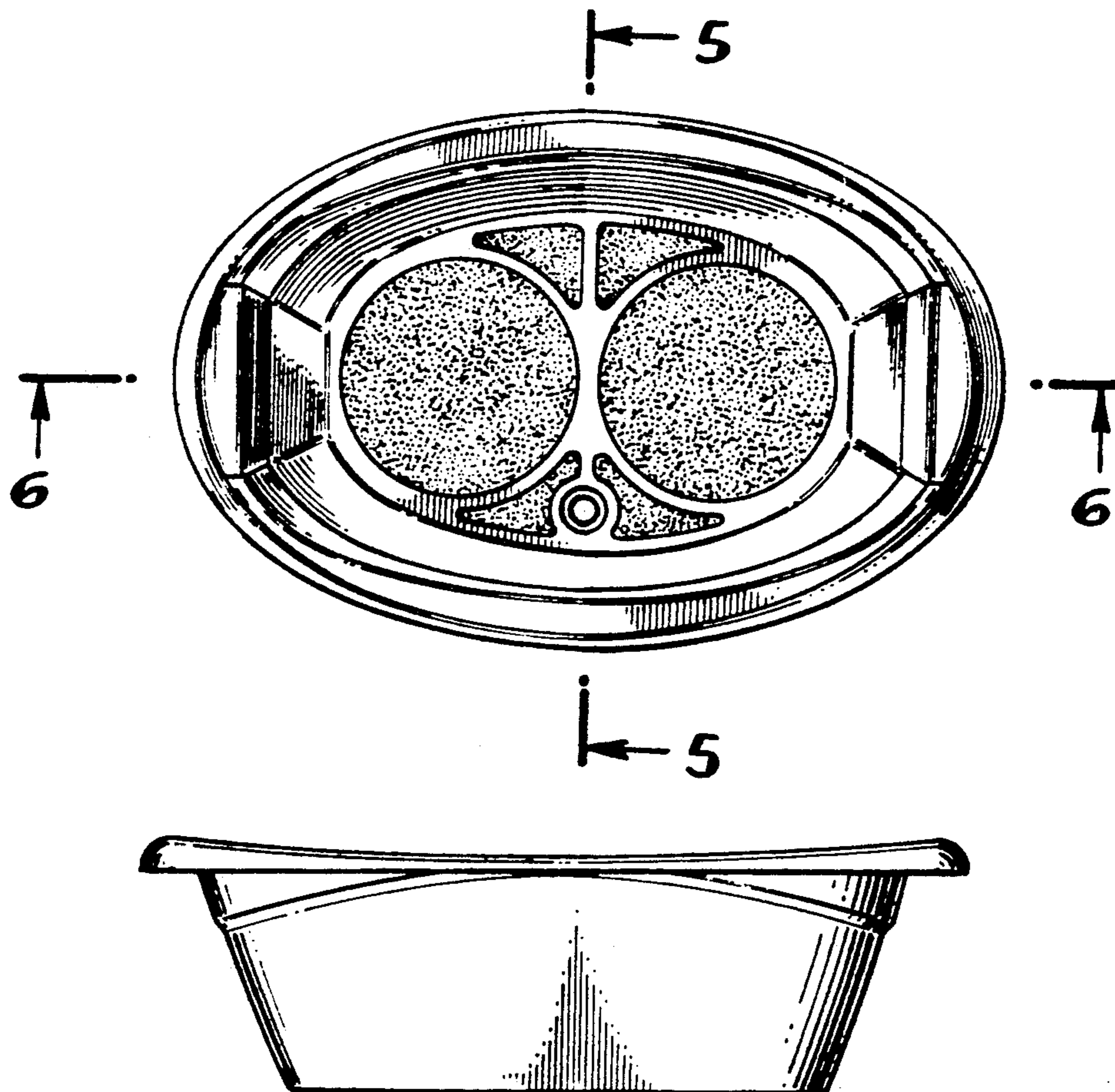


Fig. 2.

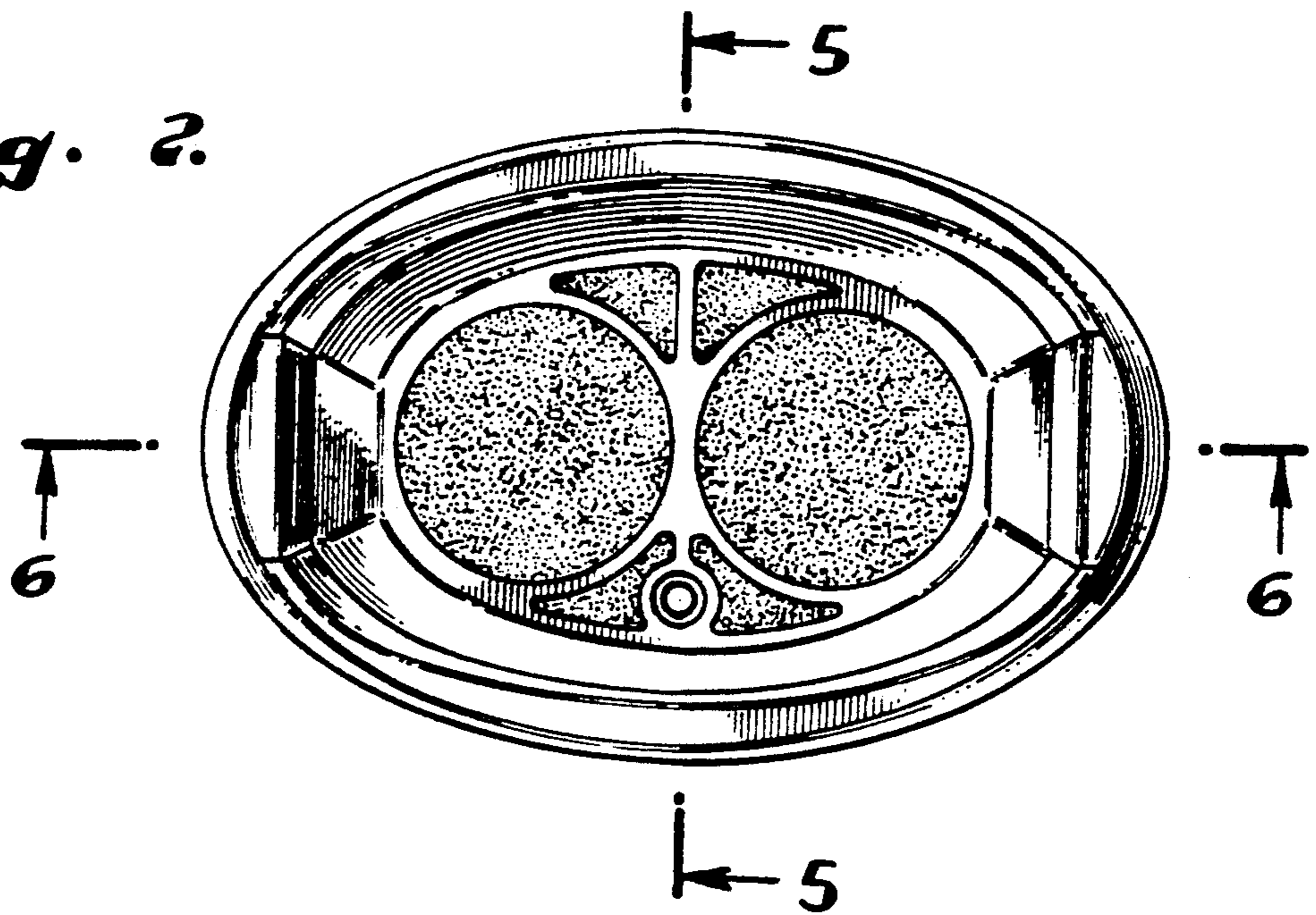


Fig. 1.

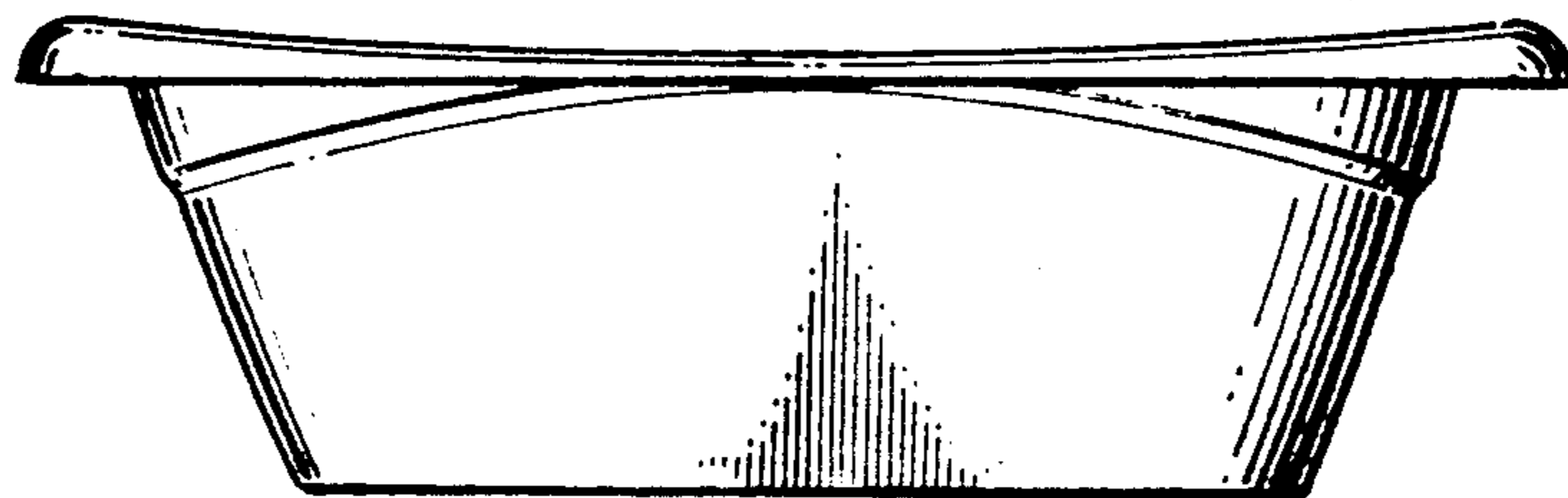


Fig. 3.

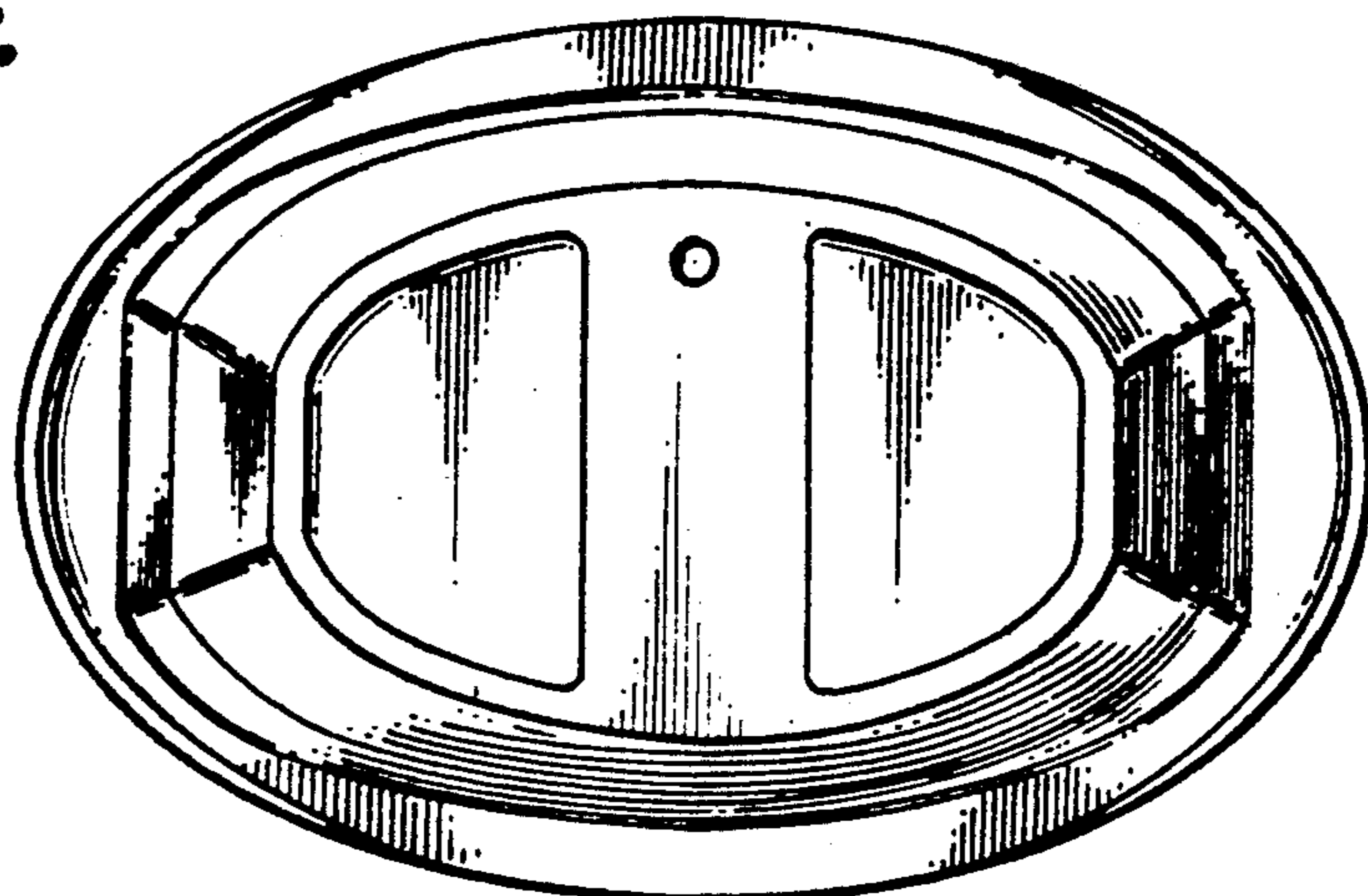


Fig. 4.

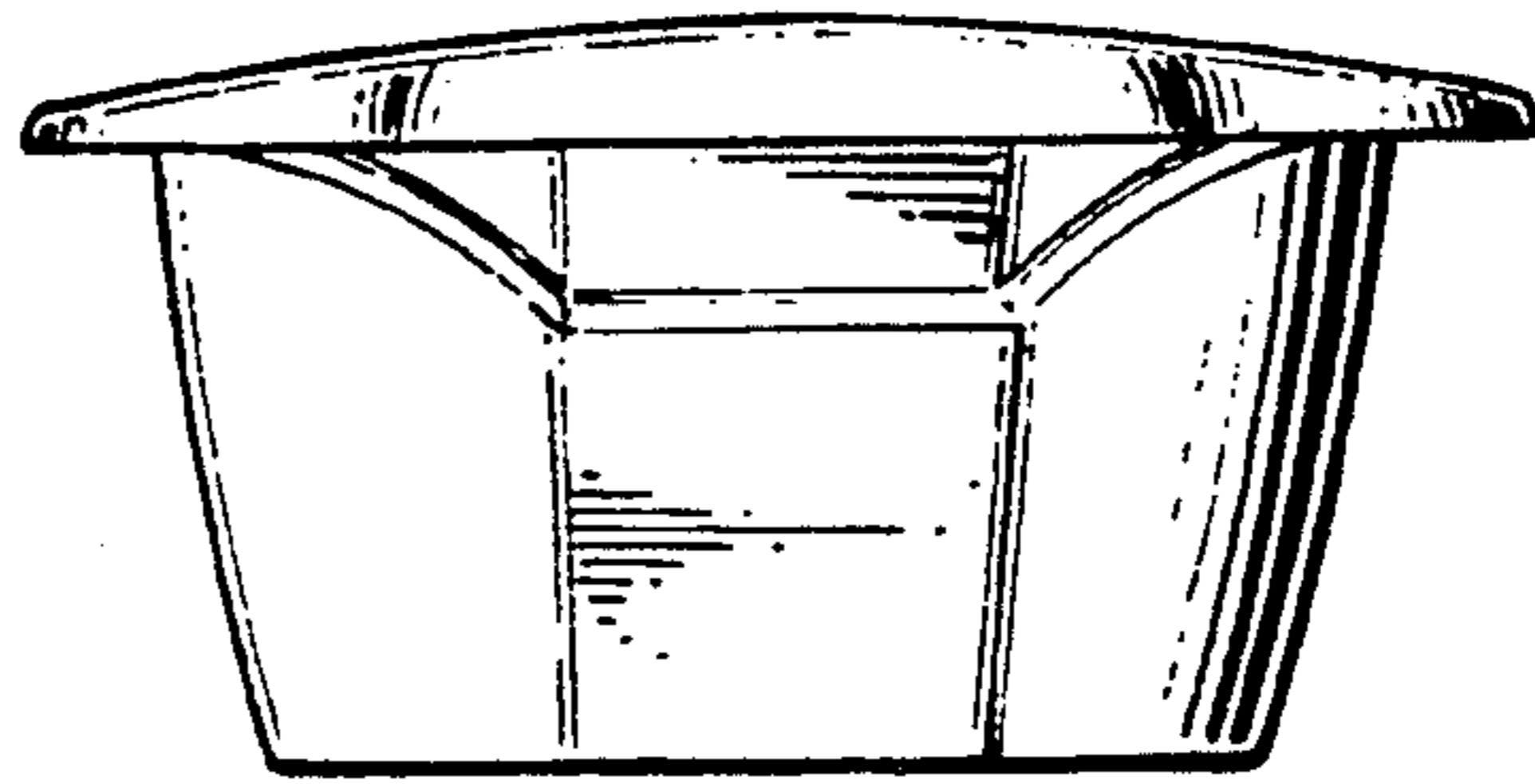


Fig. 5.

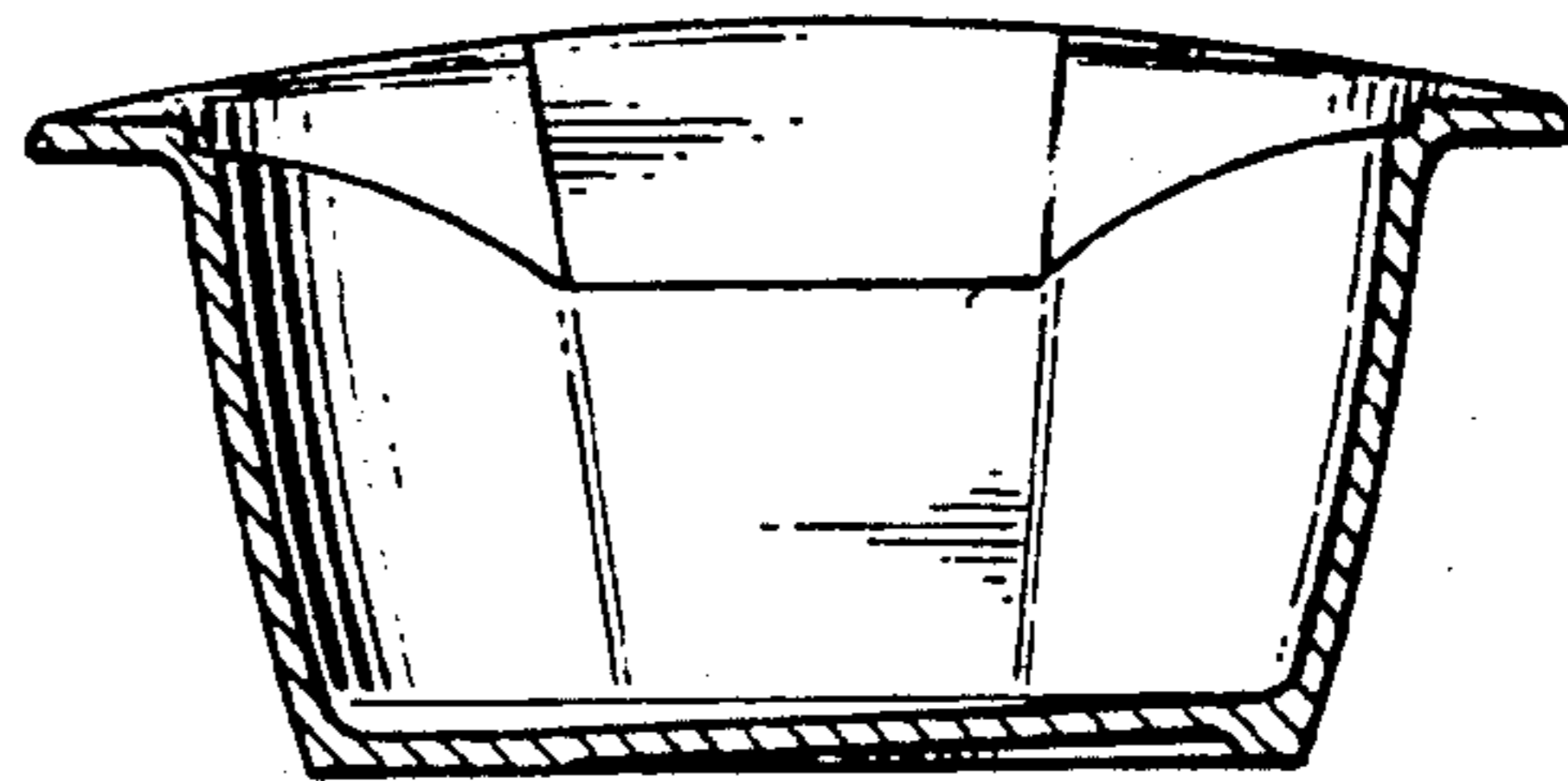


Fig. 6.

