



US00D325241S

United States Patent [19]

Buschor

[11] Patent Number: **Des. 325,241**

[45] Date of Patent: **** Apr. 7, 1992**

[54] **SPRAY GUN FOR COATING ARTICLES**

[75] Inventor: **Karl Buschor**, St. Gallen, Switzerland

[73] Assignee: **Ransburg-Gema AG**, St. Gallen, Switzerland

[*] Notice: The portion of the term of this patent subsequent to Jul. 30, 2005 has been disclaimed.

[**] Term: **14 Years**

[21] Appl. No.: **284,464**

[22] Filed: **Dec. 14, 1988**

[30] **Foreign Application Priority Data**

Jul. 4, 1988 [IB] Int'l Pat. Institute **DM/011281**
[52] U.S. Cl. **D23/226**
[58] Field of Search D23/213, 223-227; 239/301, 332, 373, 394, 414-415, 525-528, 532, 690, 691, 700-703; 251/244; 361/227-228, 235

[56] **References Cited**

U.S. PATENT DOCUMENTS

D. 141,730 7/1945 Baur D23/226

D. 262,434 12/1981 Dunbar et al. D8/14.1
D. 290,681 7/1987 Pudwill D8/14.1
1,654,059 12/1927 Urbach 239/527 X
2,910,248 10/1959 Kueter et al. 239/526

OTHER PUBLICATIONS

D & M Products, Inc. item Hydro-Air Pressure Washer, p. 1.

Primary Examiner—Susan J. Lucas

Assistant Examiner—M. H. Tung

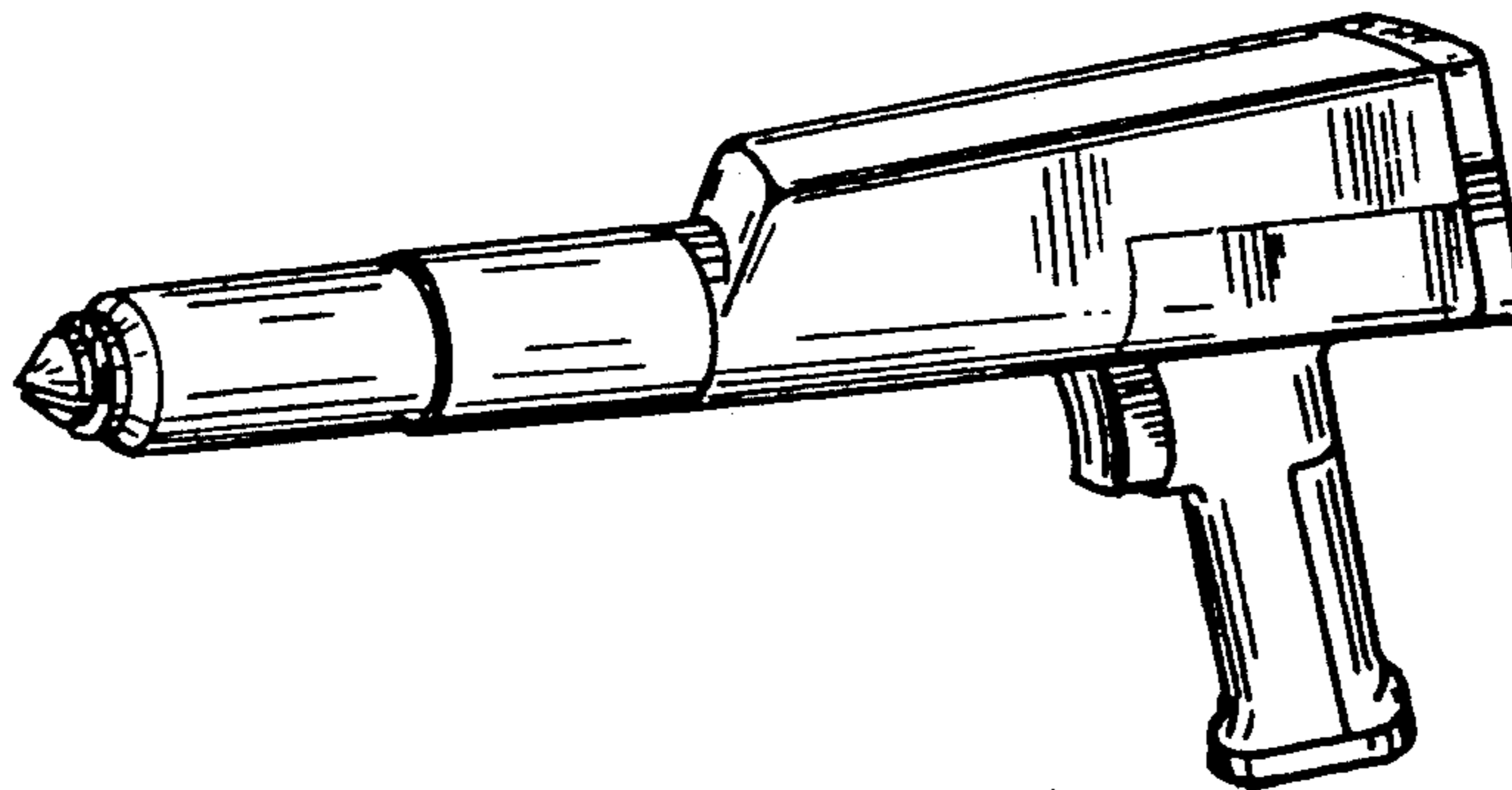
Attorney, Agent, or Firm—Barnes & Thornburg

[57] **CLAIM**

The ornamental design for a spray gun for coating articles, as shown and described.

DESCRIPTION

FIG. 1 is a top front left side perspective view of a spray gun for coating articles showing my new design; FIG. 2 is a right side elevational view thereof; FIG. 3 is a left side elevational view thereof; FIG. 4 is a top plan view thereof; FIG. 5 is a bottom plan view thereof; FIG. 6 is a rear elevational view thereof; and, FIG. 7 is a front elevational view thereof. The gray shaded areas are for showing contrast.



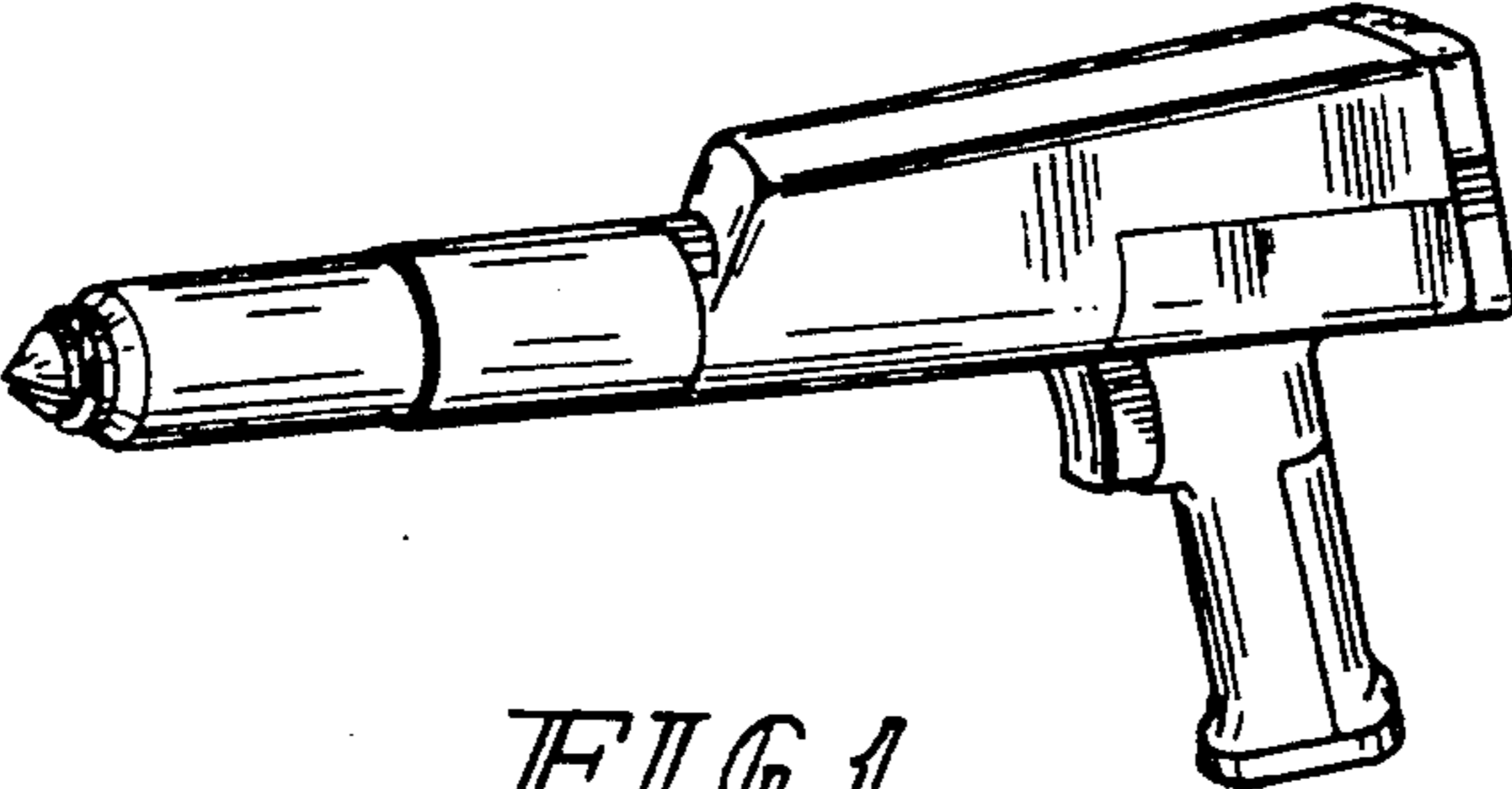


FIG. 1

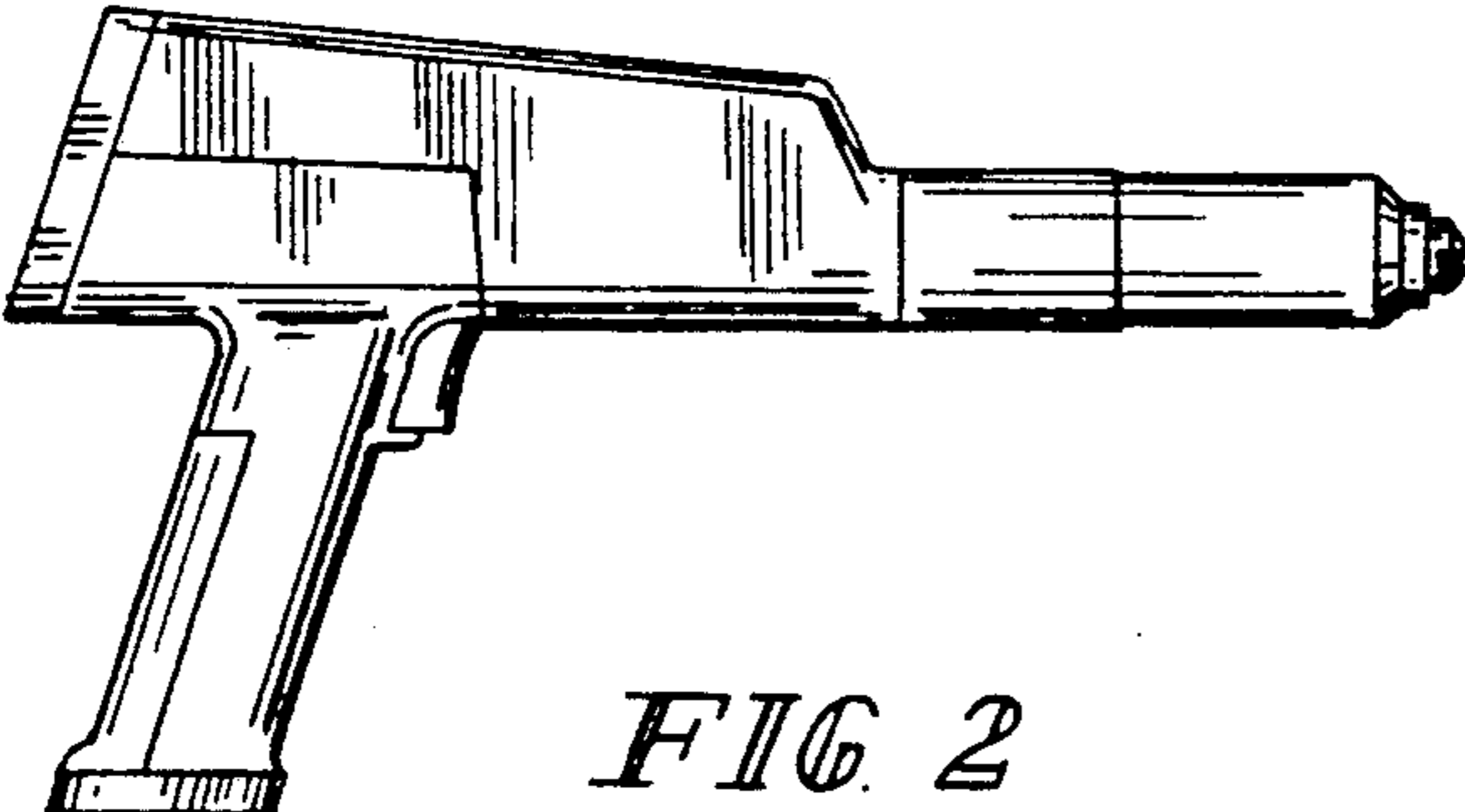


FIG. 2

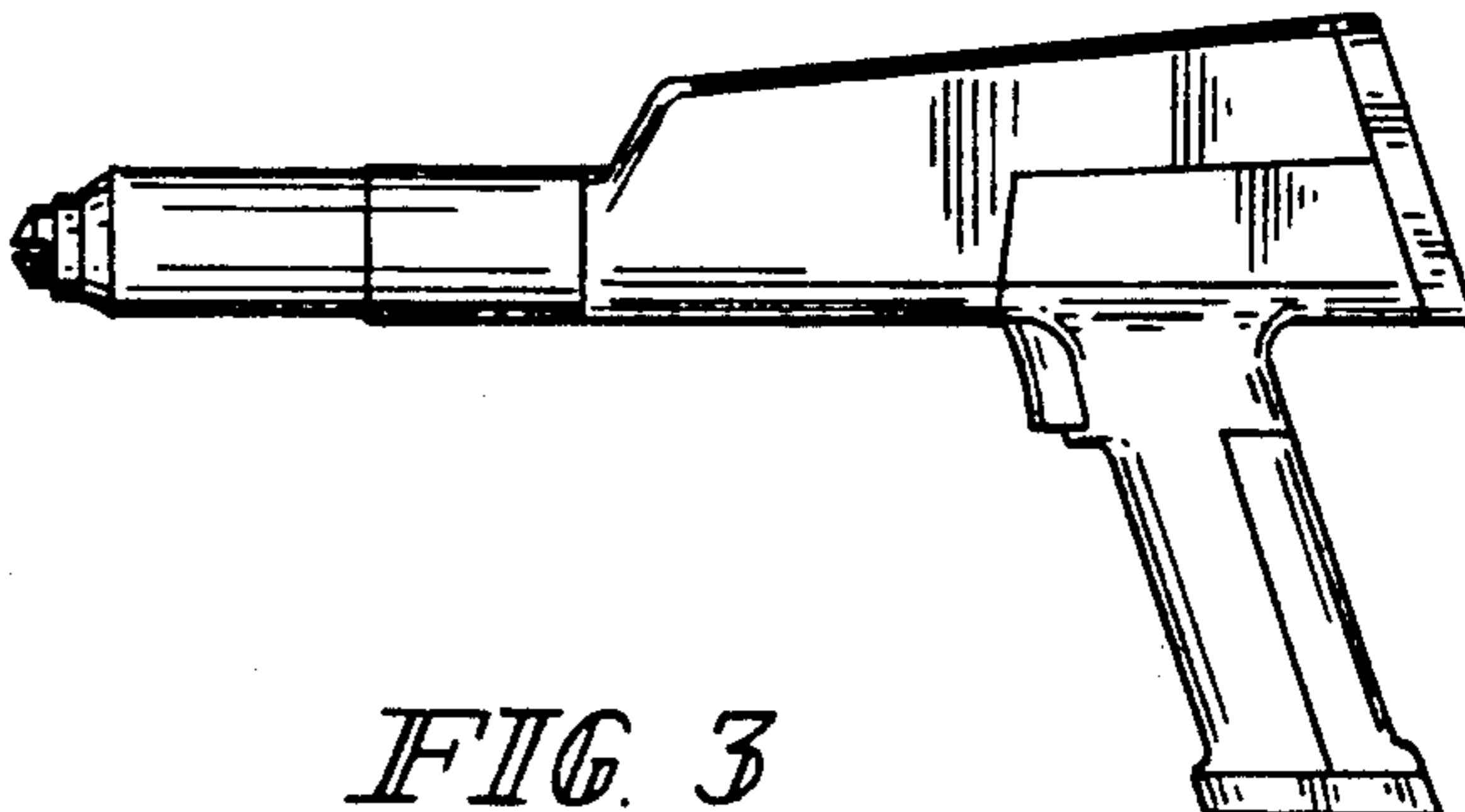


FIG. 3



FIG. 4

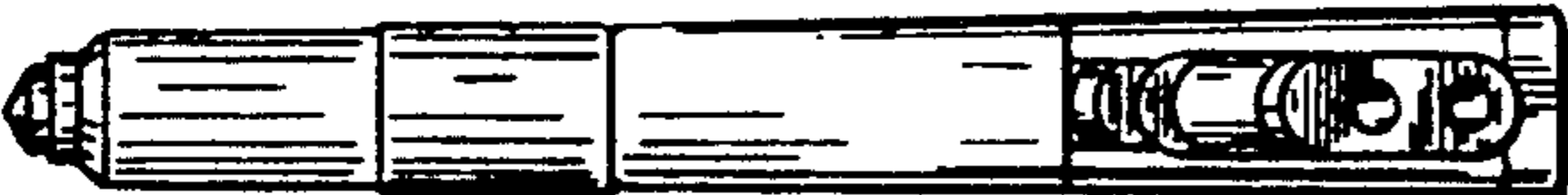


FIG. 5



FIG. 6

FIG. 7