



US00D325240S

United States Patent [19]

[11] Patent Number: **Des. 325,240**

Ellis

[45] Date of Patent: **** Apr. 7, 1992**

[54] **COMBINED WHETSTONE AND LINE CUTTING TOOL**

5,025,585 6/1991 Powell 43/25

[76] Inventor: **David J. Ellis, 4225 Charlotte, Port Arthur, Tex. 77642**

Primary Examiner—A. Hugo Word
Assistant Examiner—Doris V. Coles

[**] Term: **14 Years**

[57] **CLAIM**

The ornamental design for a combined whetstone and line cutting tool, as shown and described.

[21] Appl. No.: **496,509**

DESCRIPTION

[22] Filed: **Mar. 20, 1990**

[52] U.S. Cl. **D22/149; D22/139**

FIG. 1 is a bottom perspective view of a combined whetstone and line cutting tool, showing my new design;

[58] Field of Search **D22/148, 134, 139, 149; 43/25.2, 25; 30/286; D3/100, 104, 105**

FIG. 2 is a top perspective view thereof;

[56] **References Cited**

U.S. PATENT DOCUMENTS

- D. 314,606 2/1991 Banta D22/149
- 2,561,289 7/1951 Paris 43/25
- 3,521,393 7/1970 Gordon 43/25.2

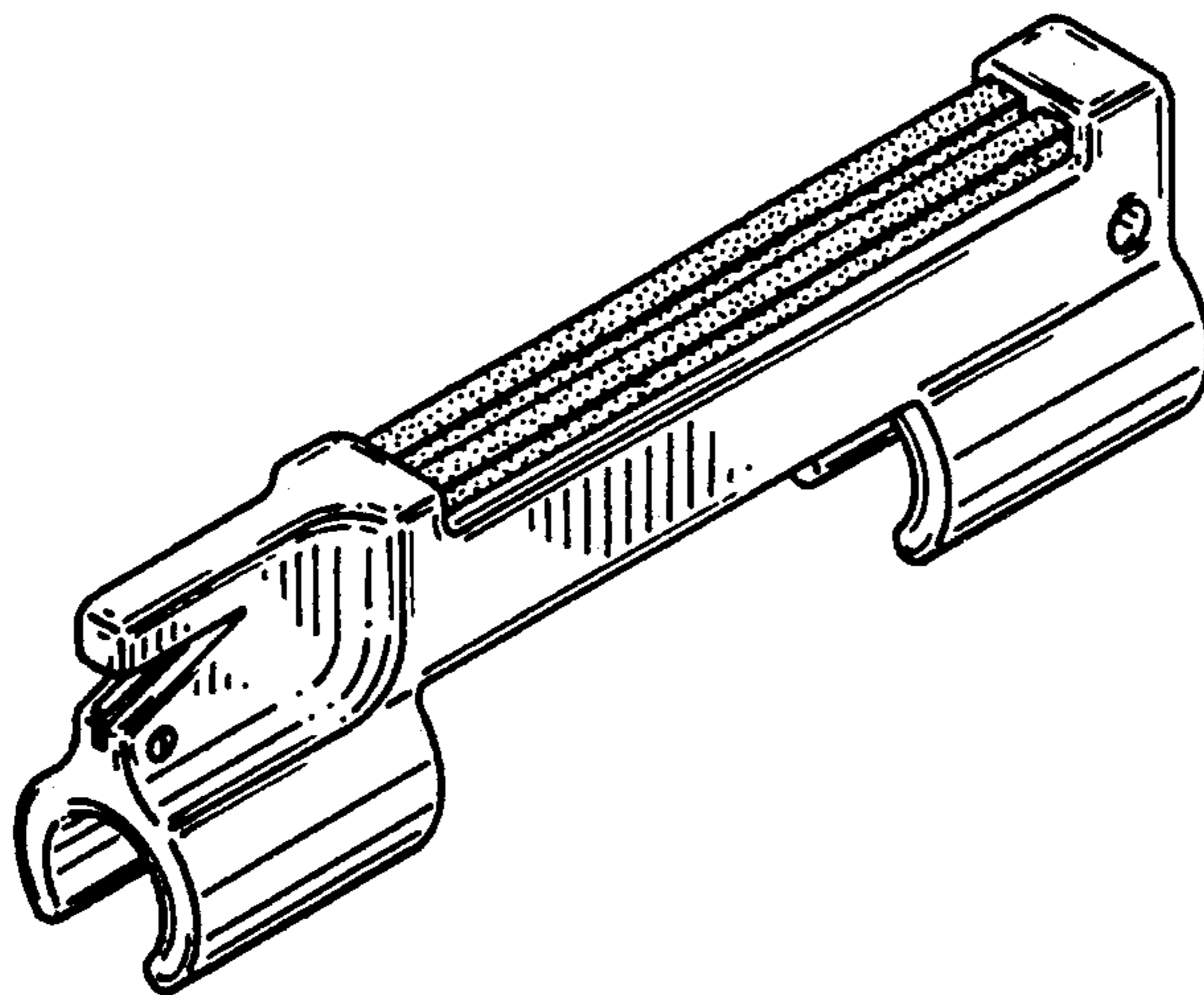
FIG. 3 is a front perspective view, the rear being a mirror image thereof;

FIG. 4 is a bottom plan view thereof;

FIG. 5 is a top plan view thereof;

FIG. 6 is a left side elevational view thereof; and,

FIG. 7 is a right side elevational view thereof.



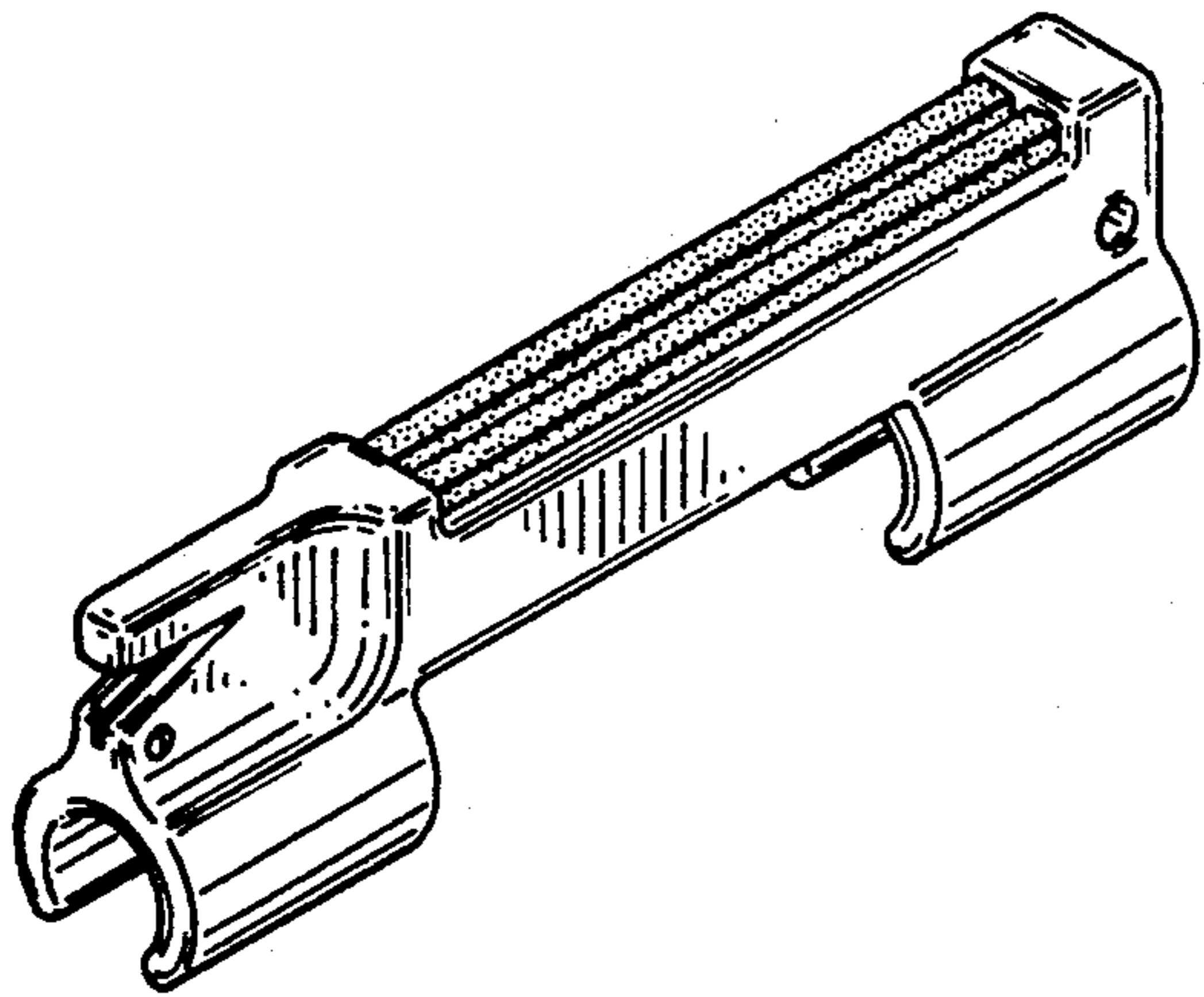


FIG. 1

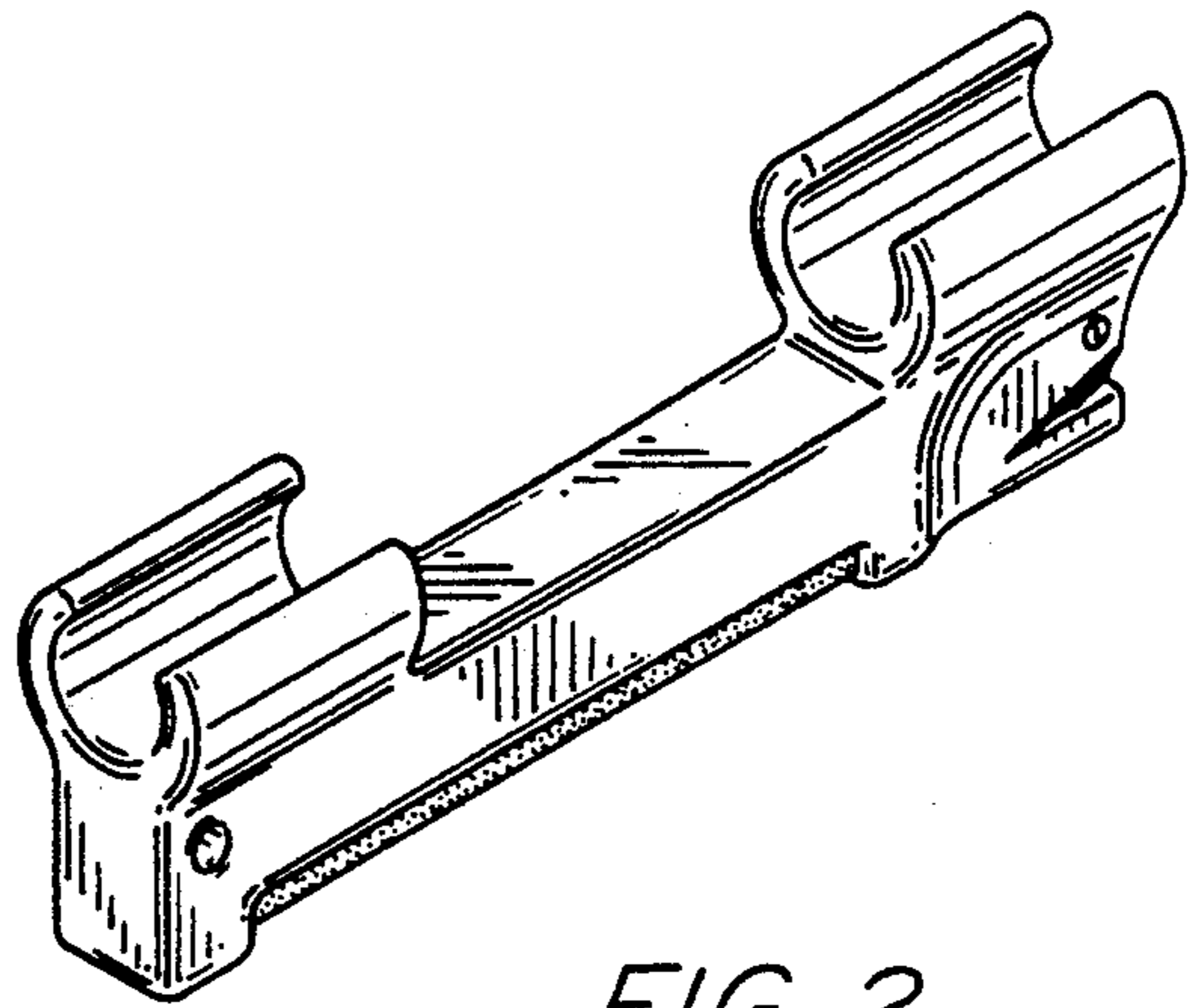


FIG. 2

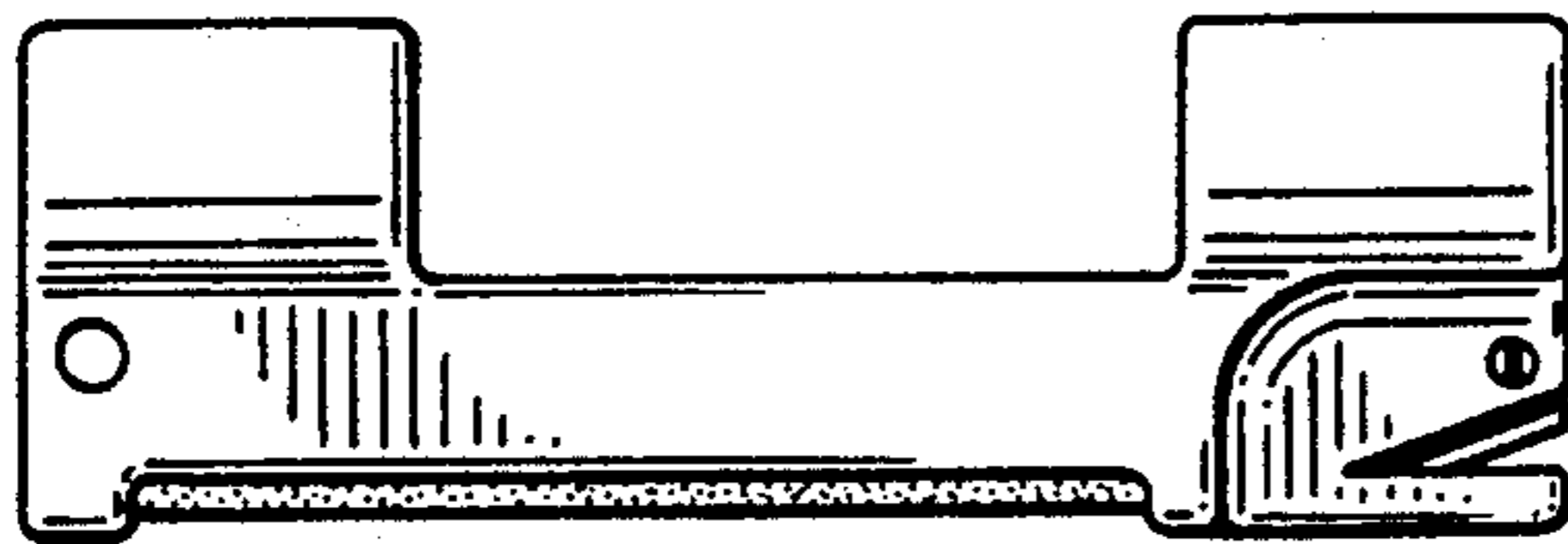


FIG. 3

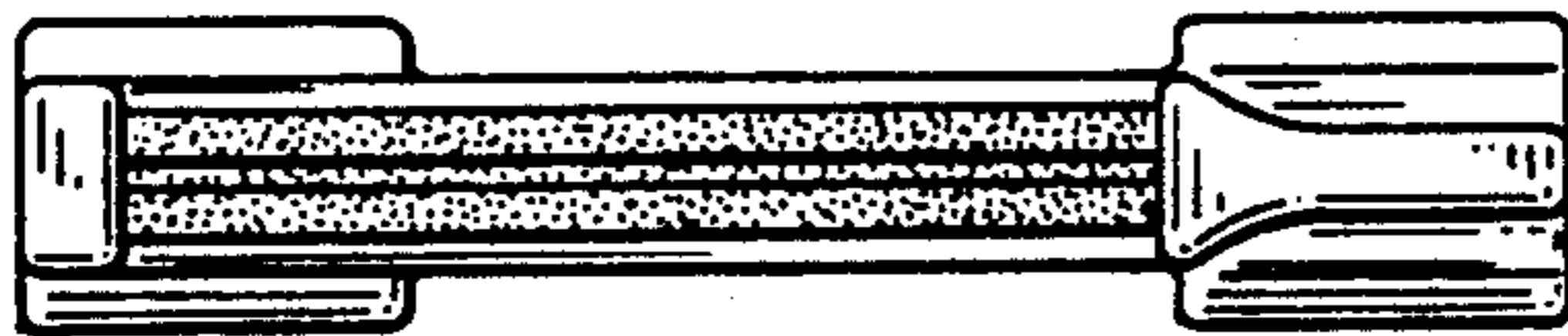


FIG. 4

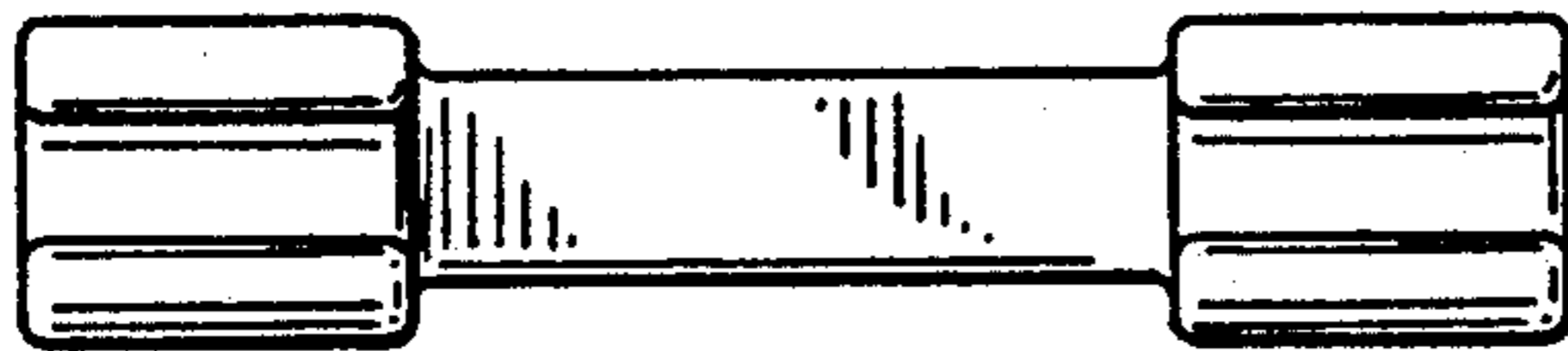


FIG. 5

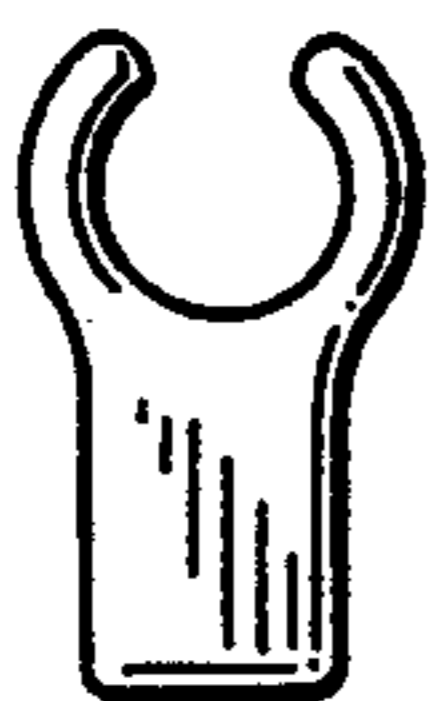


FIG. 6



FIG. 7