



US00D325237S

# United States Patent [19]

[11] Patent Number: **Des. 325,237**

Antonious

[45] Date of Patent: **\*\* Apr. 7, 1992**

[54] **GOLF CLUB HEAD**

### OTHER PUBLICATIONS

[76] Inventor: **Anthony J. Antonious**, 205 E. Joppa Rd., Towson, Md. 21204

Ping by Karsten Mfg. Co., brochure, 1971, p. 2, upper right, "Auld" putter.

*Primary Examiner*—Melvin B. Feifer  
*Attorney, Agent, or Firm*—N. J. Aquilino

[\*\*] Term: **14 Years**

### [57] CLAIM

[21] Appl. No.: **317,803**

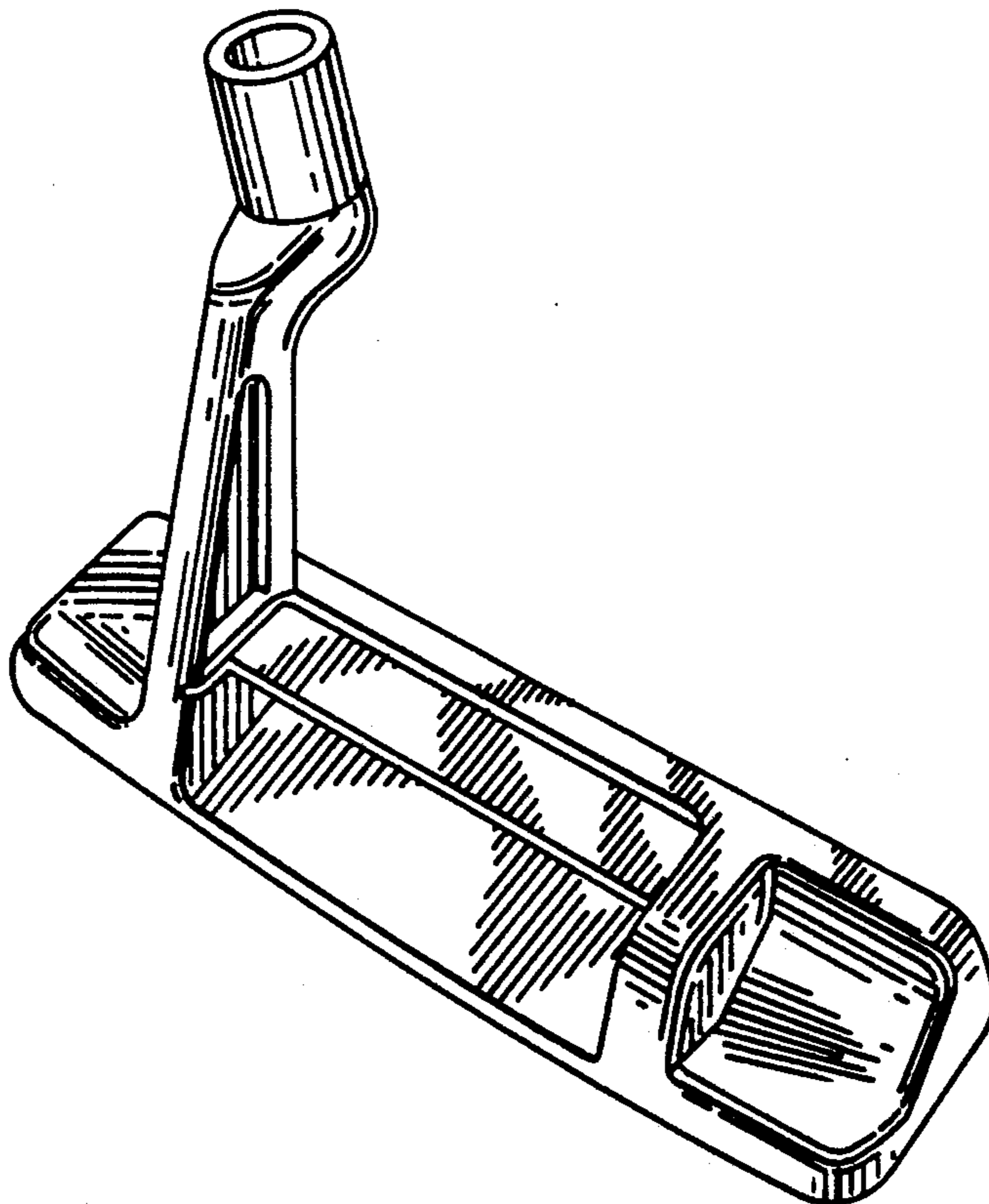
The ornamental design for a golf club head, as shown and described.

[22] Filed: **Mar. 2, 1989**  
[52] U.S. Cl. .... **D21/219**  
[58] Field of Search ..... **D21/214-220;**  
**273/164, 167-175**

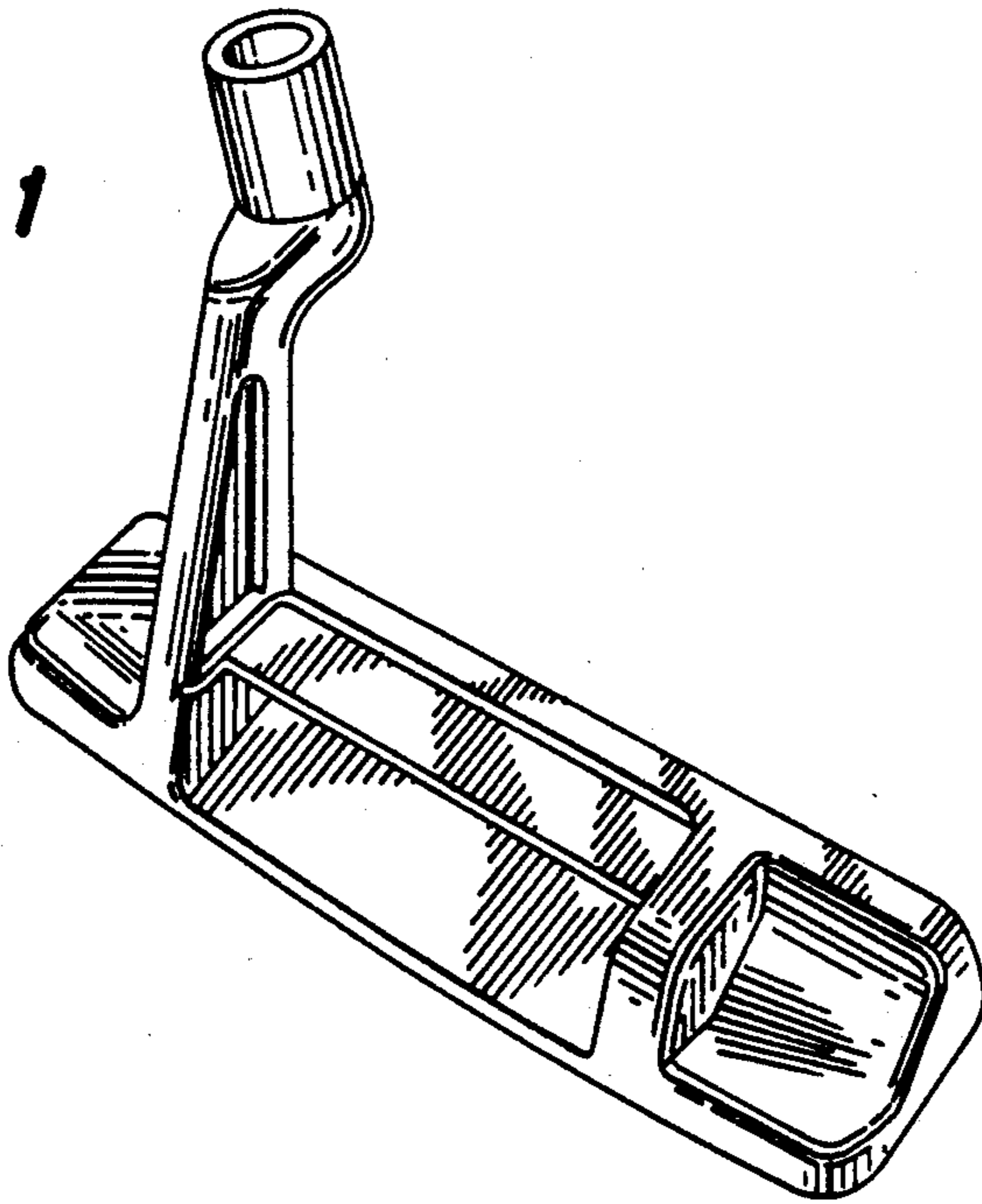
### DESCRIPTION

FIG. 1 is a rear perspective view of a golf club head showing my new design;  
FIG. 2 is a top plan view thereof;  
FIG. 3 is a front elevational view thereof;  
FIG. 4 is a bottom view thereof;  
FIG. 5 is an end elevational view thereof;  
FIG. 6 is an end elevational view taken from the opposite side of FIG. 5; and,  
FIG. 7 is a sectional view taken along lines 7—7 of FIG. 3.

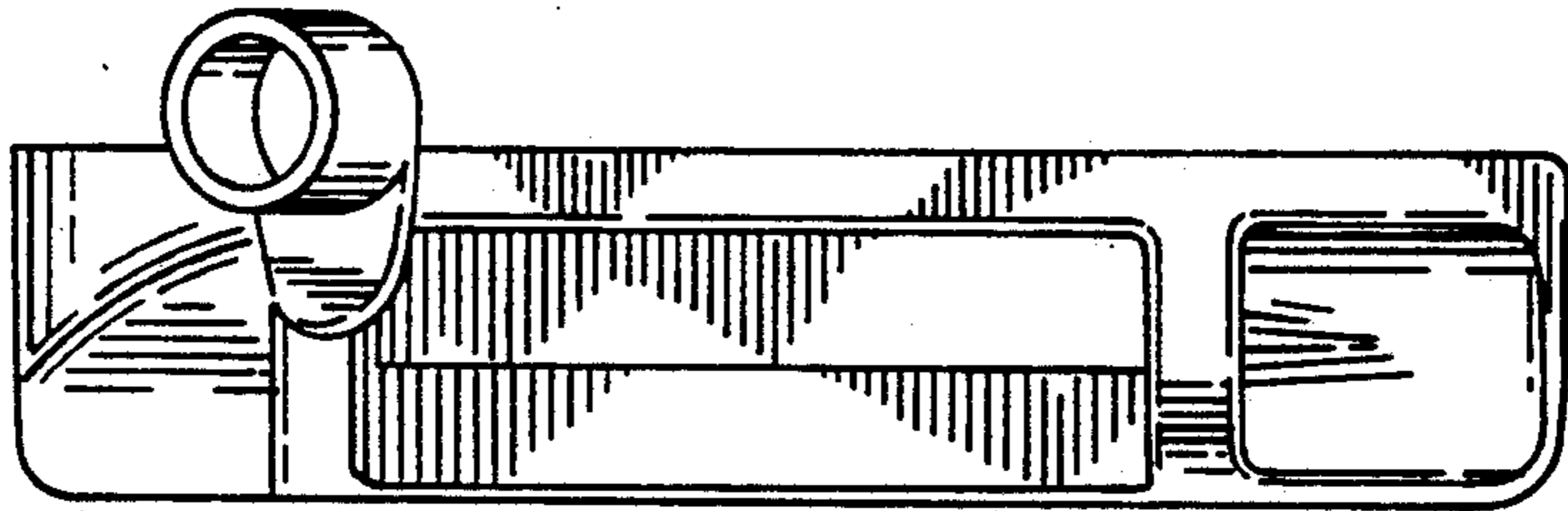
[56] **References Cited**  
**U.S. PATENT DOCUMENTS**  
D. 299,045 12/1988 Antonious ..... D21/219



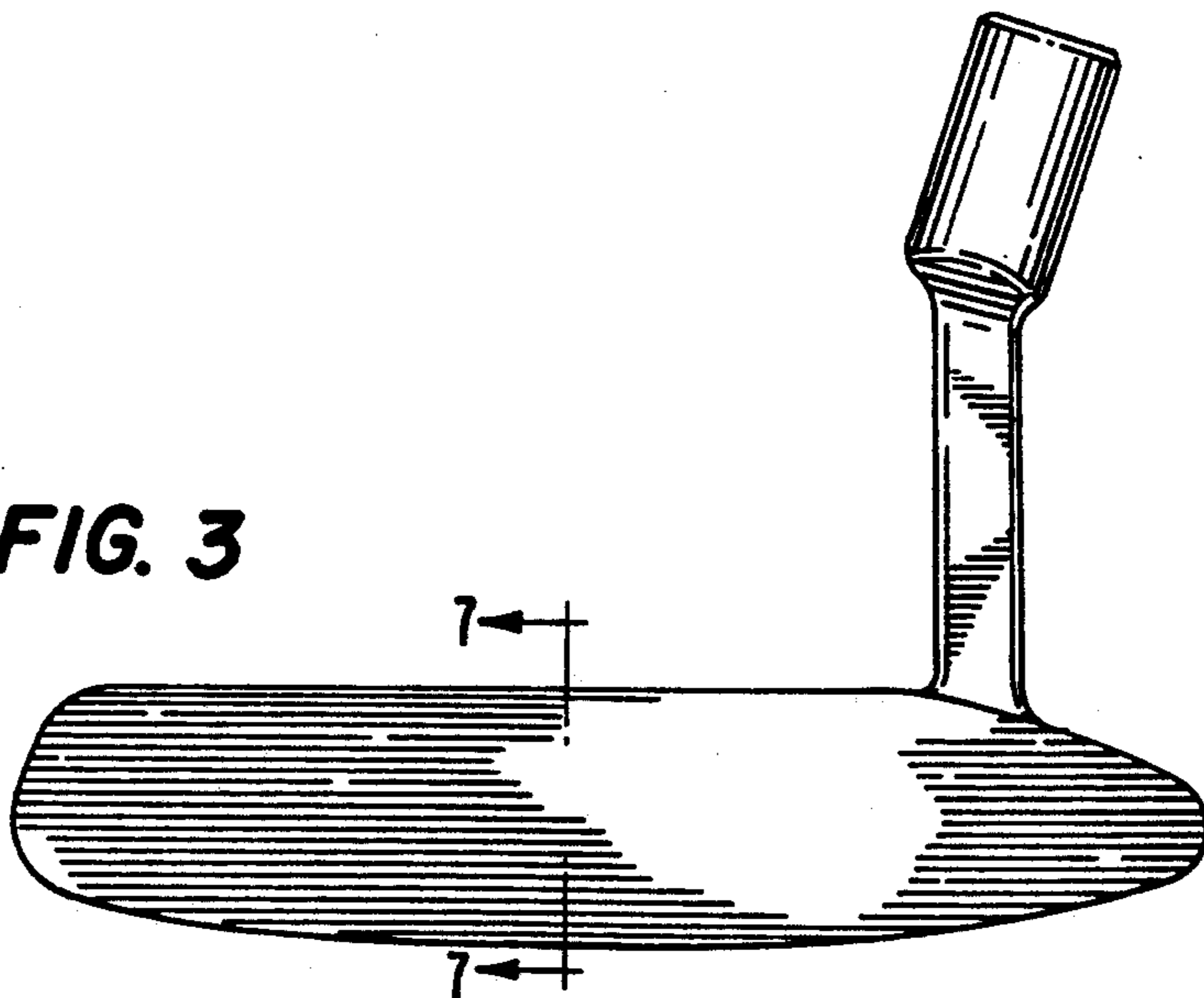
**FIG. 1**



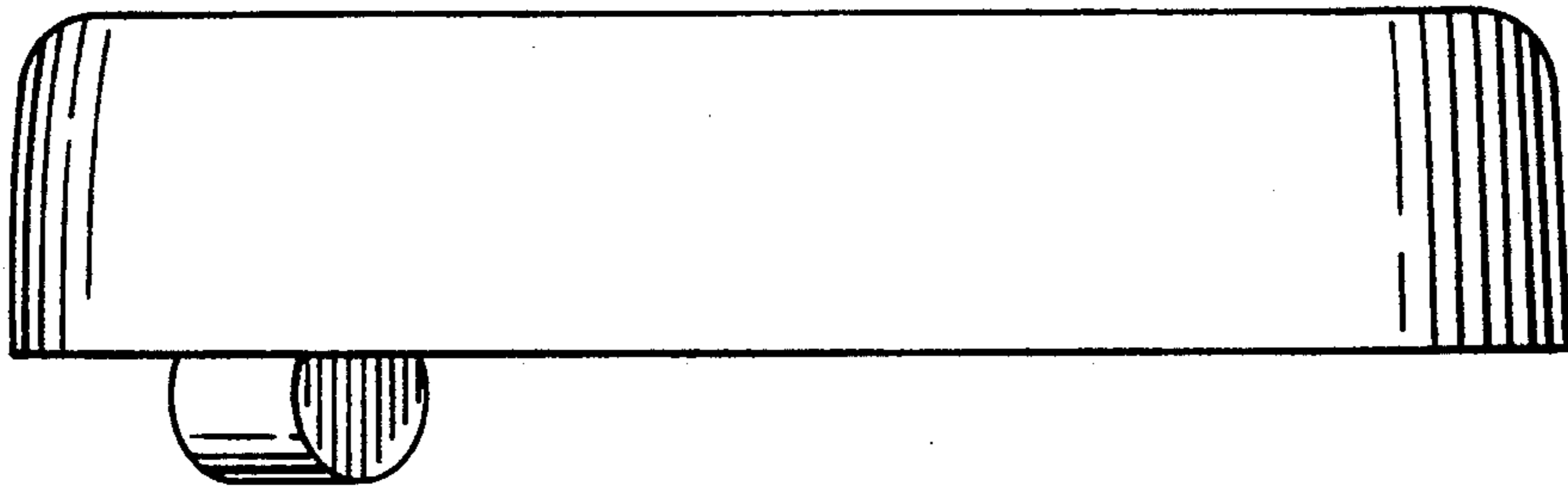
**FIG. 2**



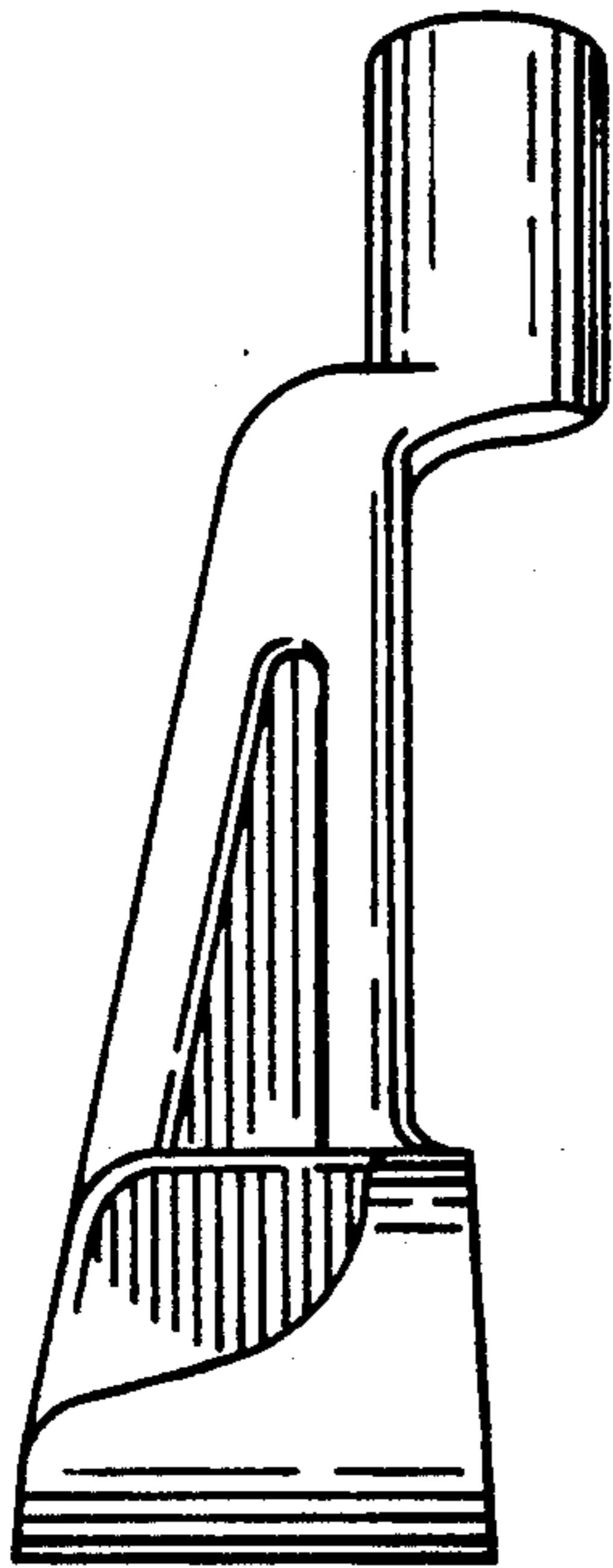
**FIG. 3**



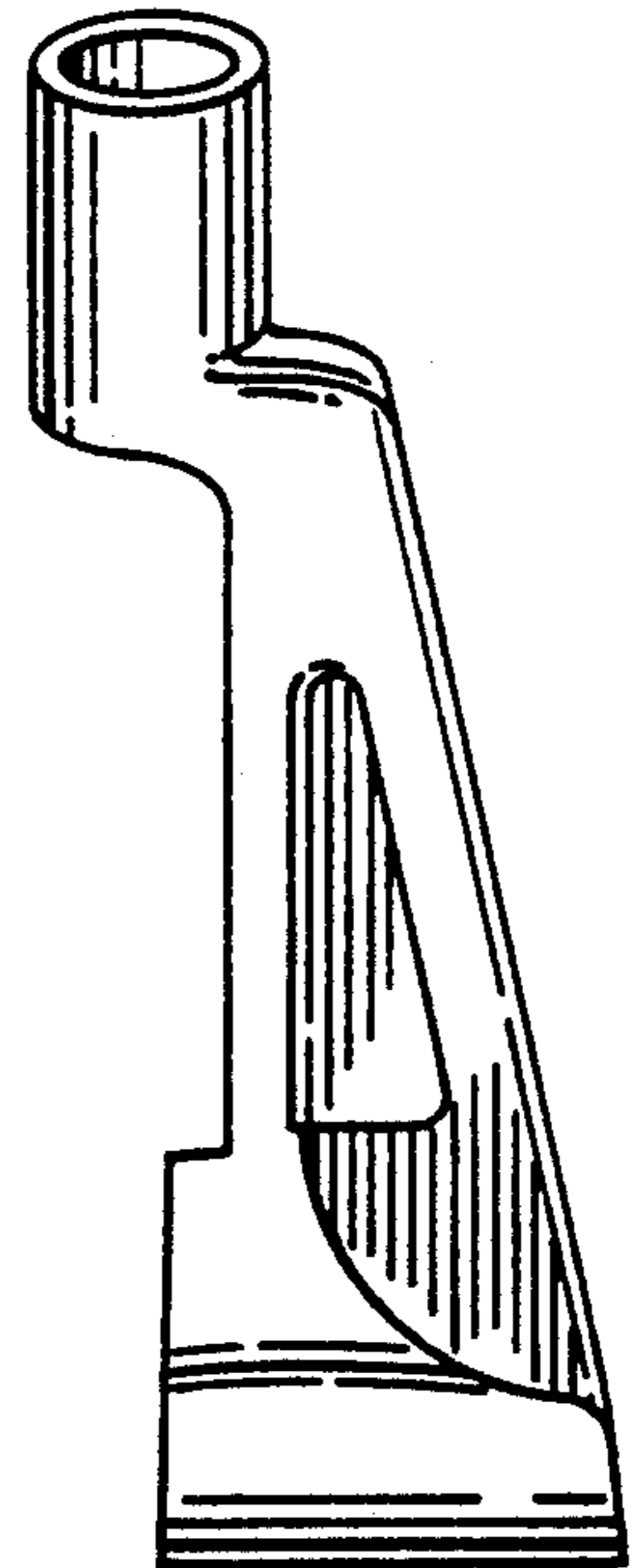
**FIG. 4**



**FIG. 5**



**FIG. 6**



**FIG. 7**

