



US00D325235S

United States Patent [19]

[11] Patent Number: **Des. 325,235**

Wang

[45] Date of Patent: **** Apr. 7, 1992**

[54] **STEPPING EXERCISER**

4,989,858 2/1991 Young et al. 272/70

[76] Inventor: **Teresa Wang**, 2 Fl., No. 20-1, Alley 6,
Lane 670, Ta Ya Rd., Taichung,
Taiwan

Primary Examiner—Charles A. Rademaker
Attorney, Agent, or Firm—Staas & Halsey

[**] Term: **14 Years**

[57] **CLAIM**

[21] Appl. No.: **531,536**

The ornamental design for a stepping exerciser, as shown and described.

[22] Filed: **Jun. 1, 1990**

DESCRIPTION

[52] U.S. Cl. **D21/195; D21/198**

[58] Field of Search **D21/191-199;**
272/69, 70, 131, 132, 130, 96

FIG. 1 is a perspective view of a stepping exerciser showing my new design;

FIG. 2 is a front elevational view thereof;

FIG. 3 is a rear elevational view thereof;

FIG. 4 is a top plan view thereof;

FIG. 5 is a bottom plan view thereof;

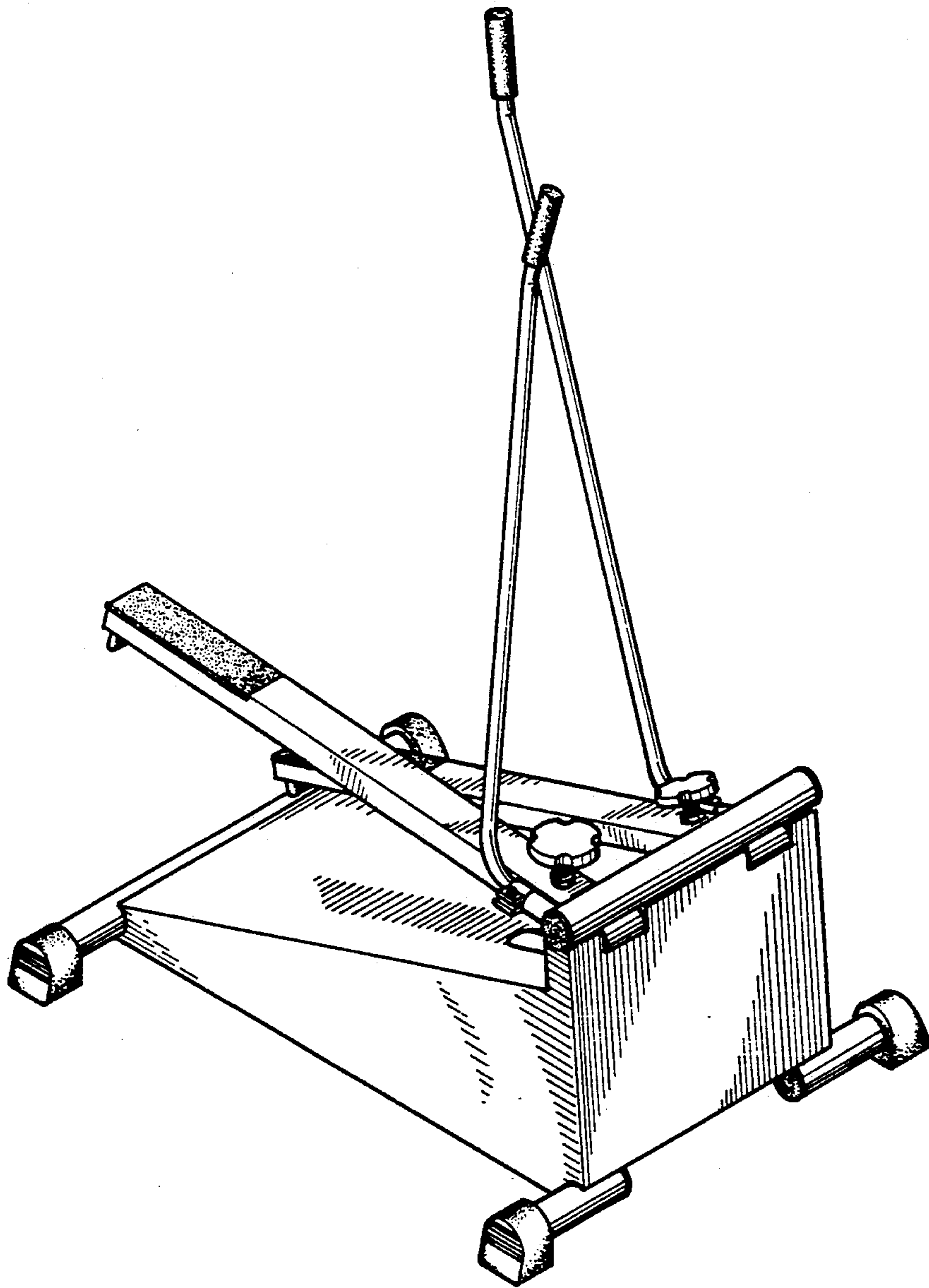
FIG. 6 is a left side elevational view thereof; and,

FIG. 7 is a right side elevational view thereof.

[56] **References Cited**

U.S. PATENT DOCUMENTS

D. 319,855 9/1991 Bull D21/195
4,989,857 2/1991 Kuo 272/70



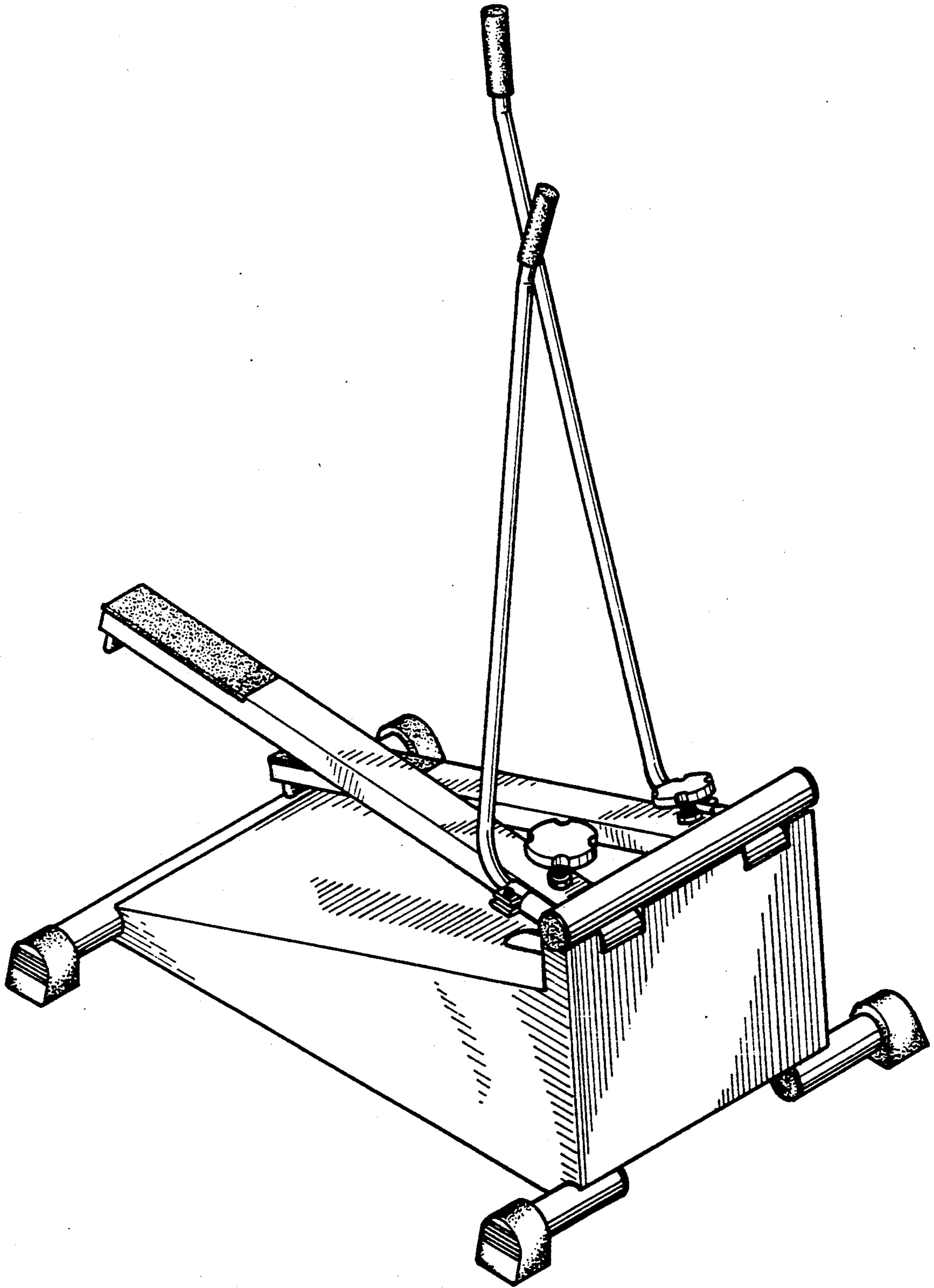


FIG. 1

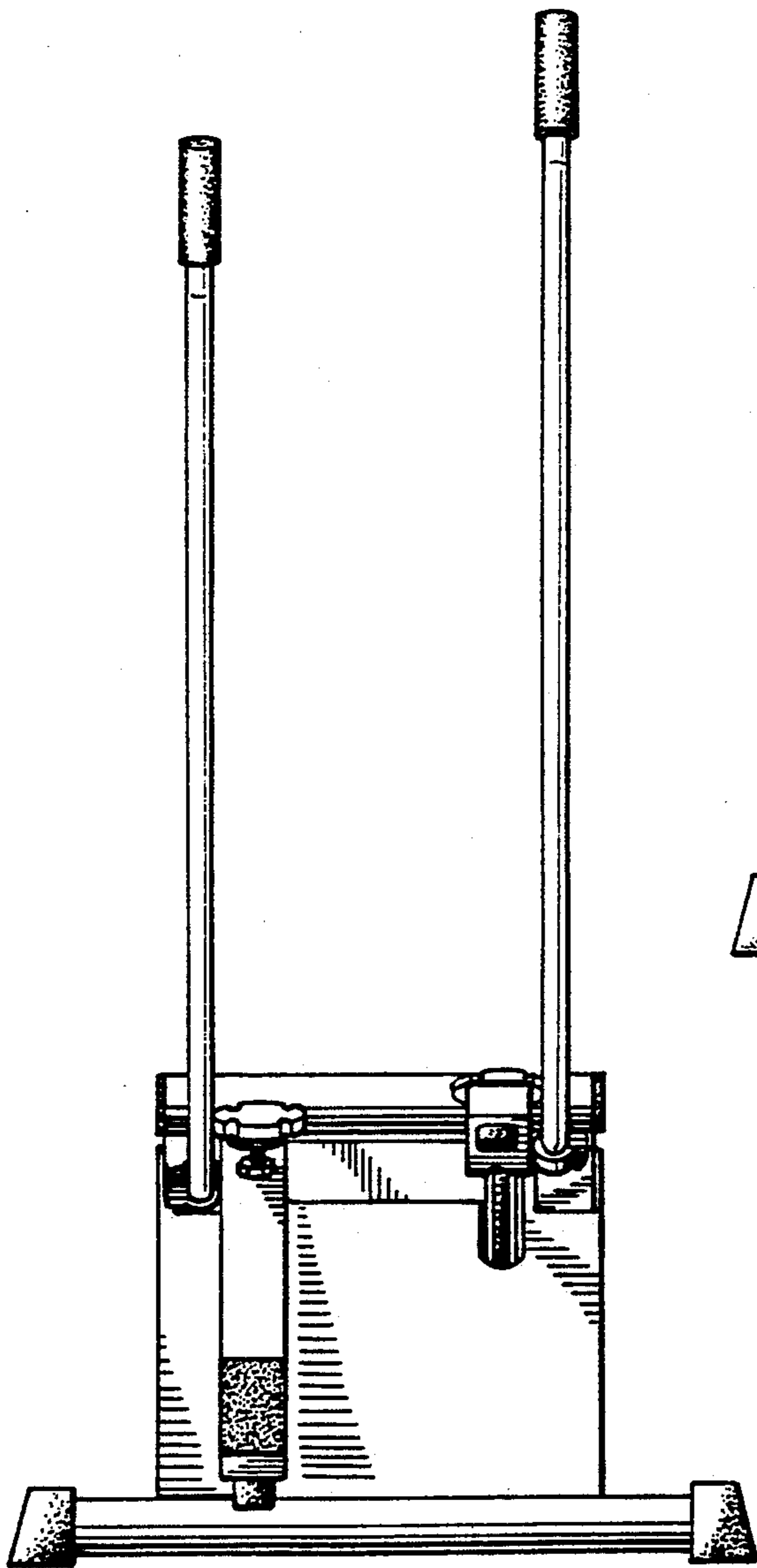


FIG. 3

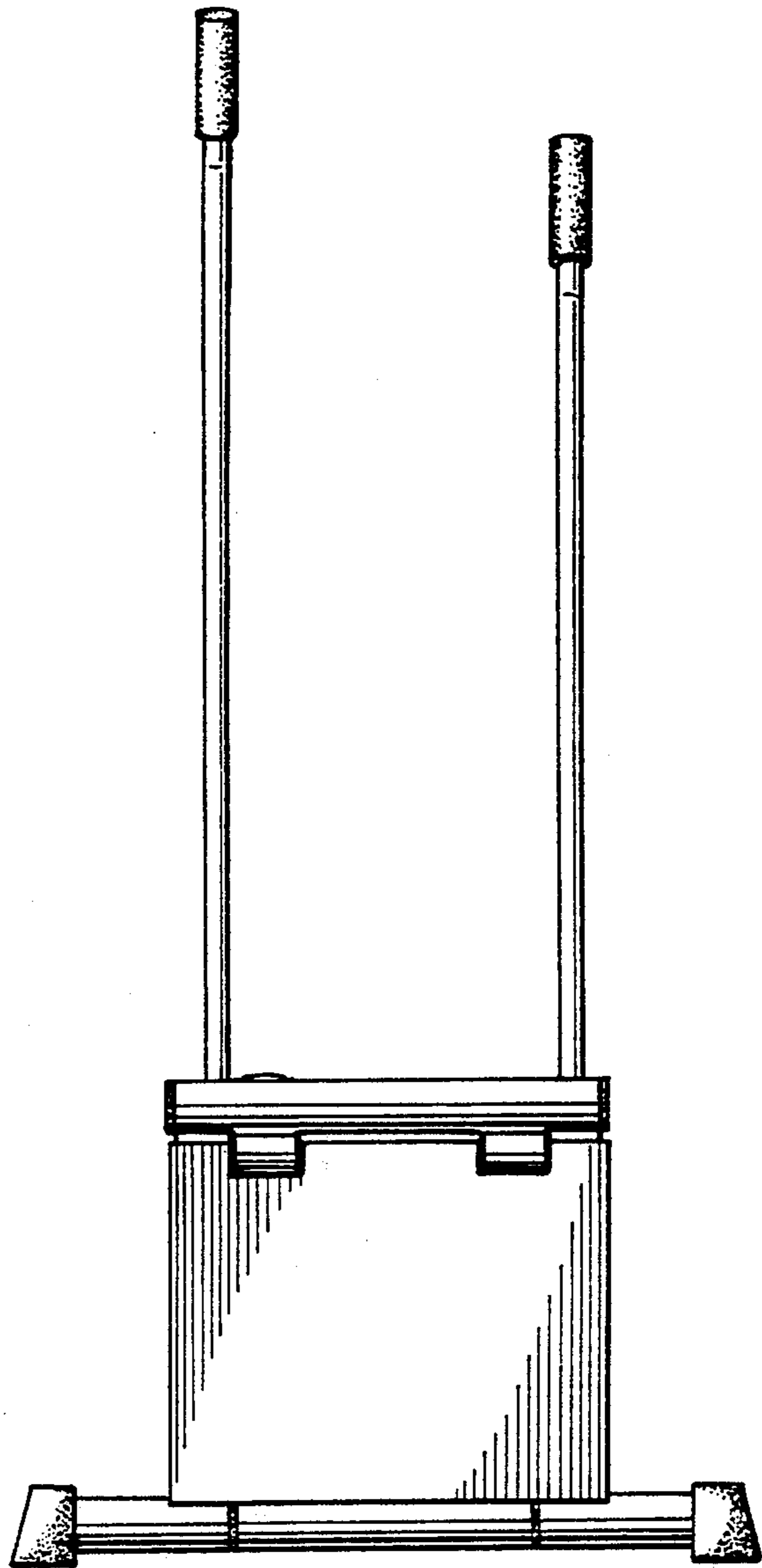


FIG. 2

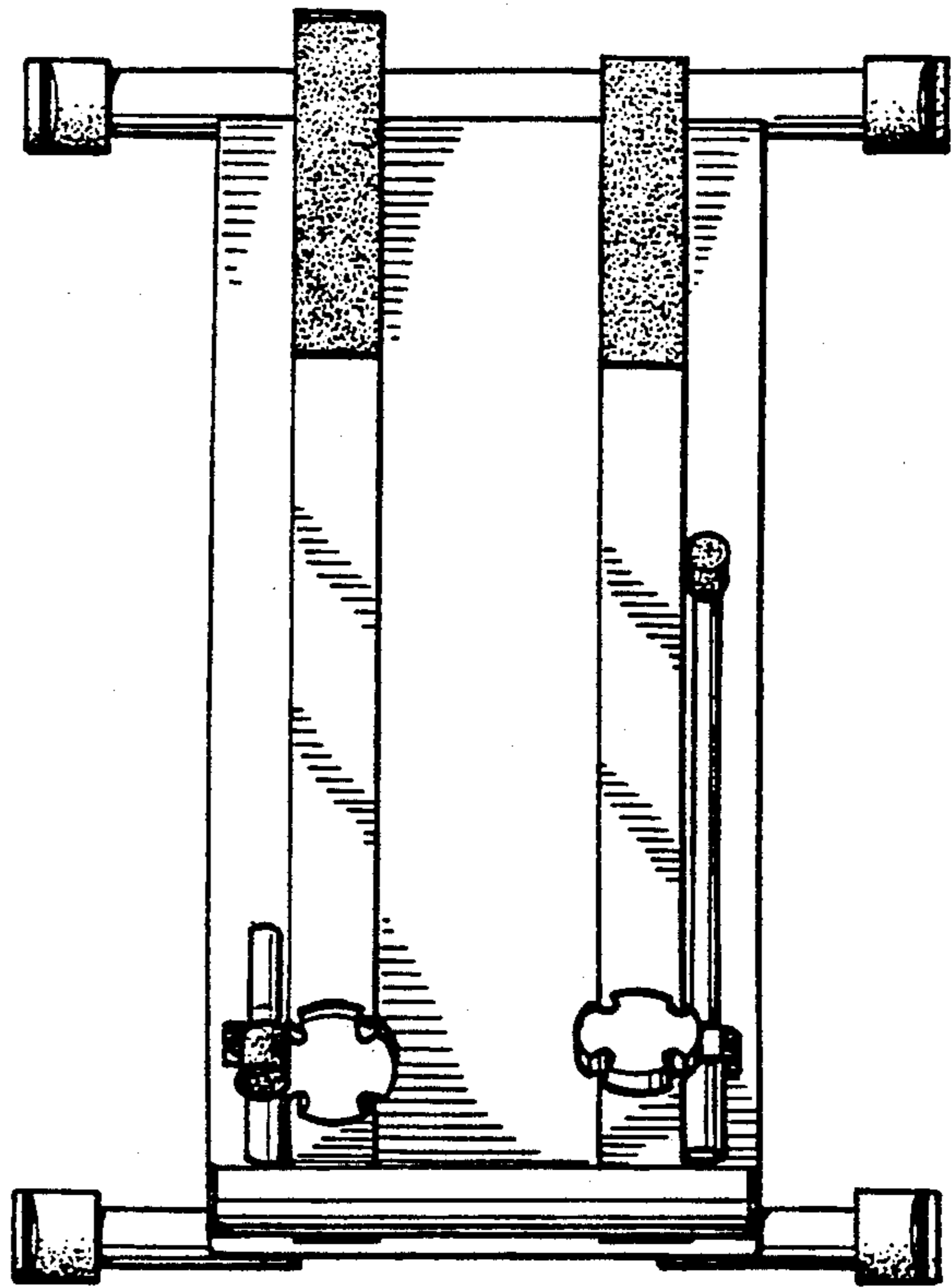


FIG. 4

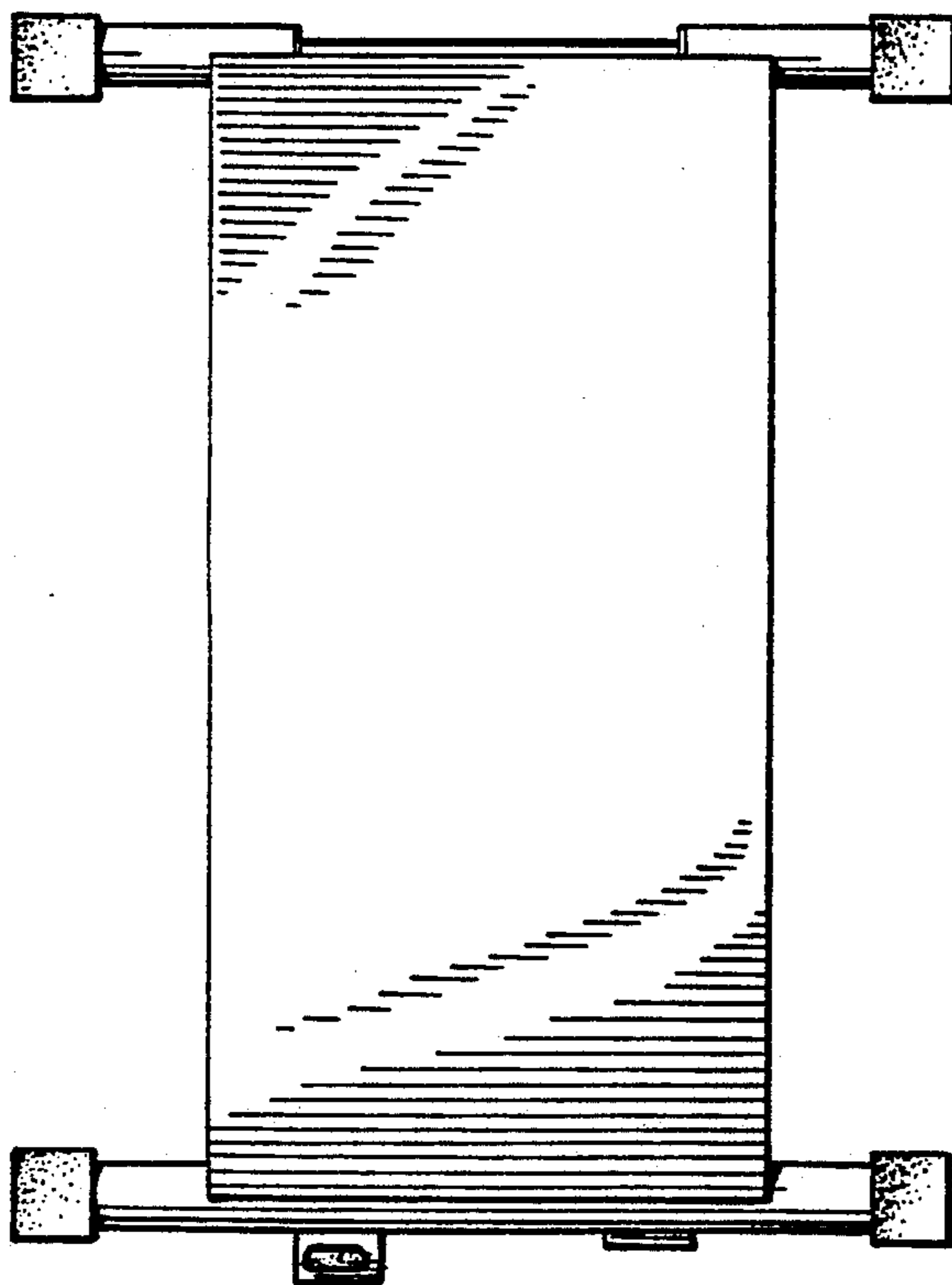


FIG. 5

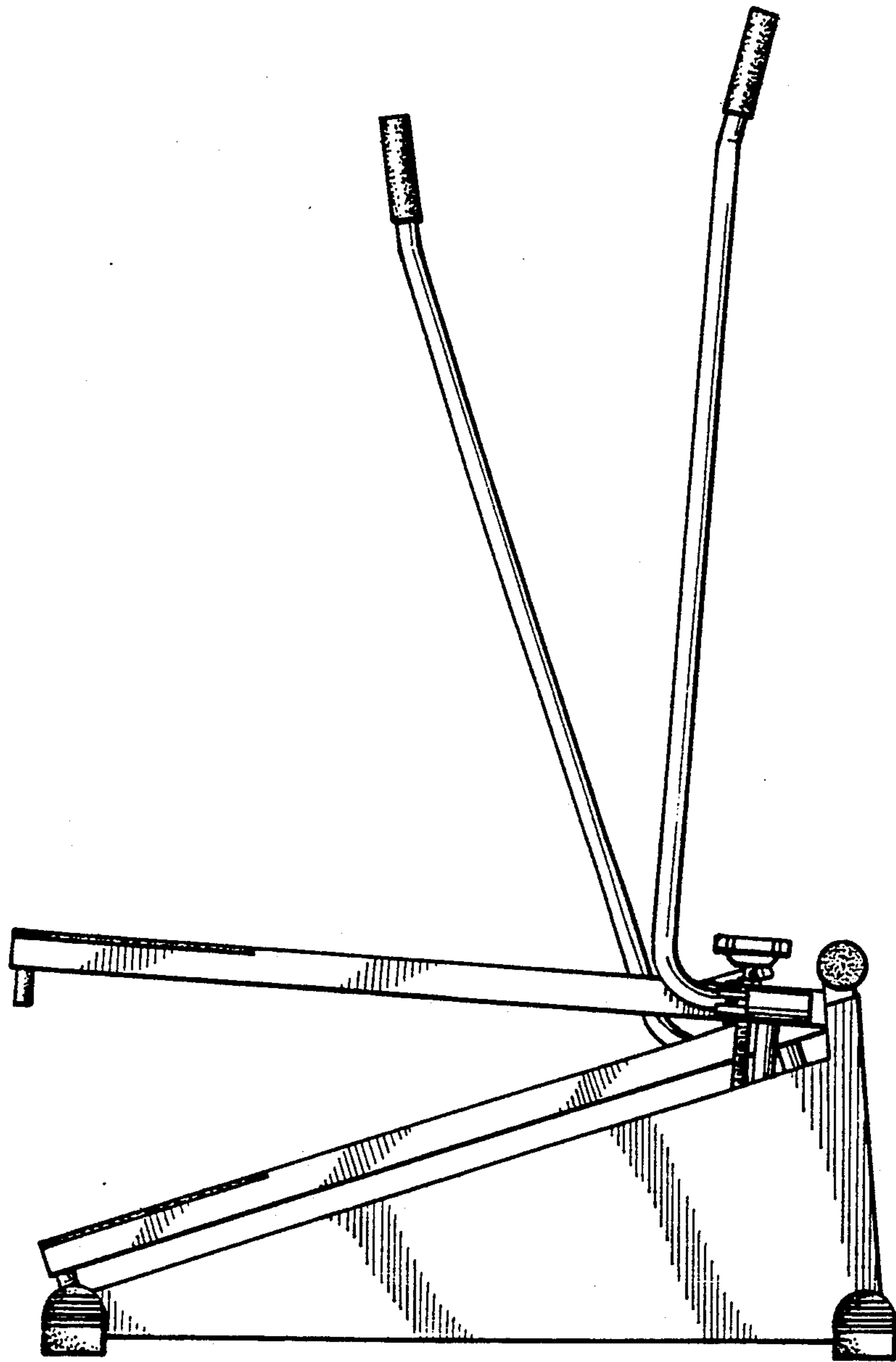


FIG. 6

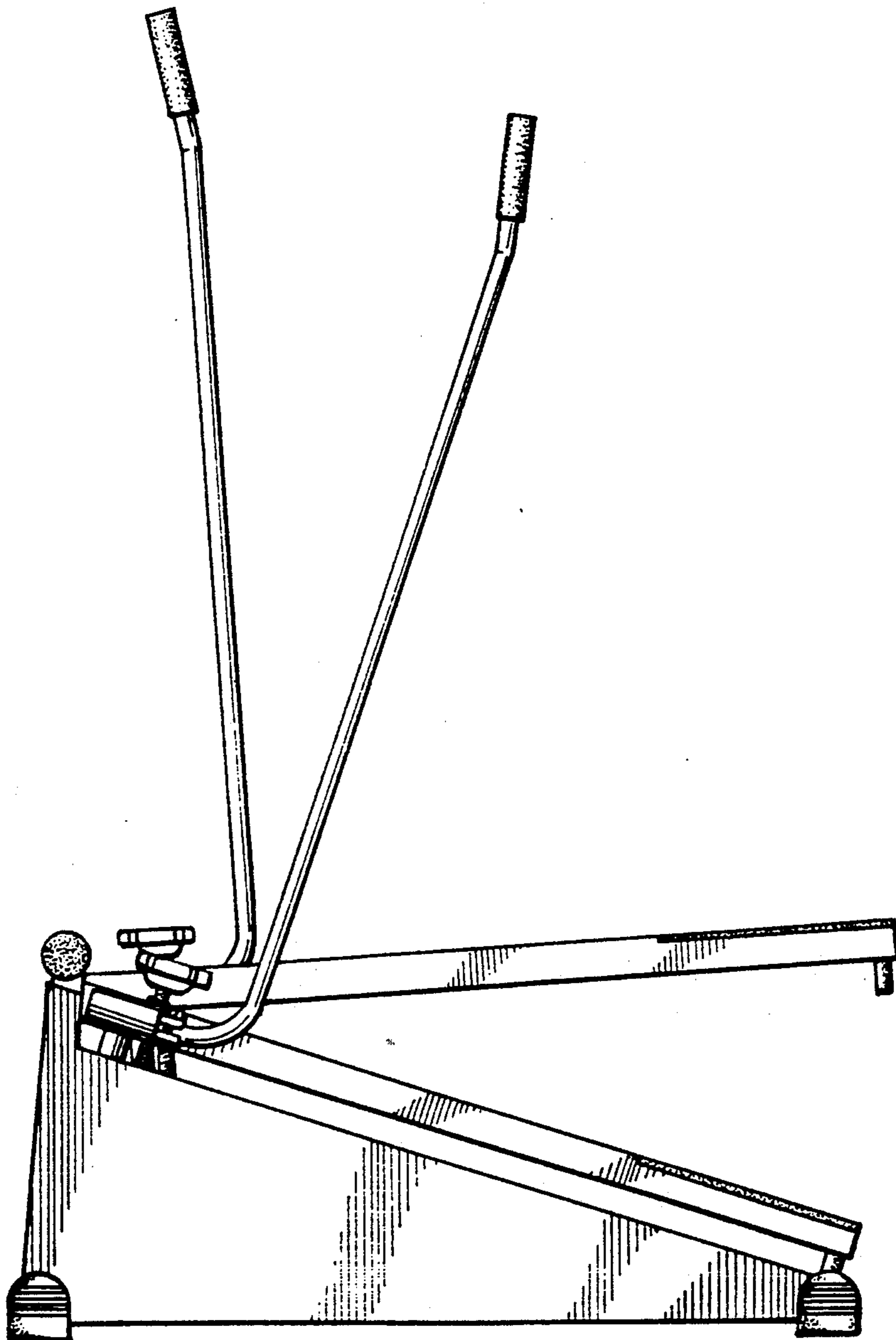


FIG. 7