



US00D325220S

United States Patent [19]

Adachi

[11] Patent Number: **Des. 325,220**

[45] Date of Patent: **** Apr. 7, 1992**

[54] **TONER RESUPPLYING CONTAINER**

[75] Inventor: **Takefumi Adachi, Tokyo, Japan**

[73] Assignee: **Ricoh Company, Ltd., Tokyo, Japan**

[**] Term: **14 Years**

[21] Appl. No.: **395,558**

[22] Filed: **Aug. 18, 1989**

[30] **Foreign Application Priority Data**

Feb. 21, 1989 [JP] Japan 1-006288

[52] U.S. Cl. **D18/43**

[58] Field of Search D18/43, 22; D9/306, D9/373, 385, 390, 393, 399, 401, 415, 418, 424, 425, 432; 118/657; 141/1; 206/216, 316, 446, 461, 467, 474, 495, 527, 532, 601, 628, 631, 633; 222/166, 240, 325, 541, DIG. 1; 355/200, 244, 245, 260, 298

[56] **References Cited**

U.S. PATENT DOCUMENTS

D. 298,256 10/1988 Shibata D18/43

FOREIGN PATENT DOCUMENTS

0014865 1/1983 Japan 355/260

Primary Examiner—Nelson C. Holtje

Assistant Examiner—Caron D. Veynar

Attorney, Agent, or Firm—Oblon, Spivak, McClelland, Maier & Neustadt

[57] **CLAIM**

The ornamental design for toner resupplying container, as shown and described.

DESCRIPTION

FIG. 1 is a front, top and left side perspective view of a toner resupplying container showing my new design; FIG. 2 is a bottom, rear and right side perspective view thereof; FIG. 3 is a rear elevational view thereof; and, FIG. 4 is a right side elevational view thereof.

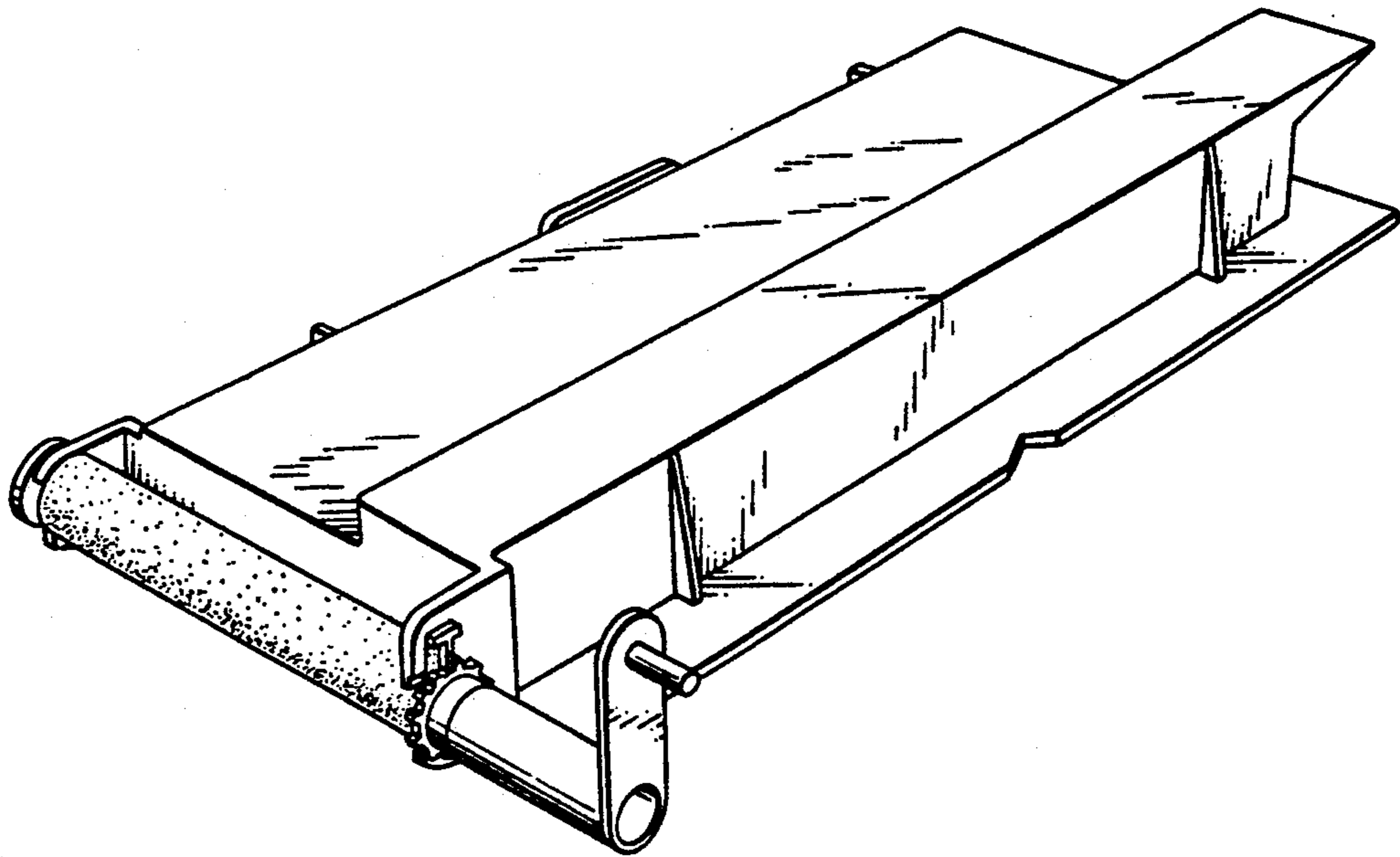


FIG. 1

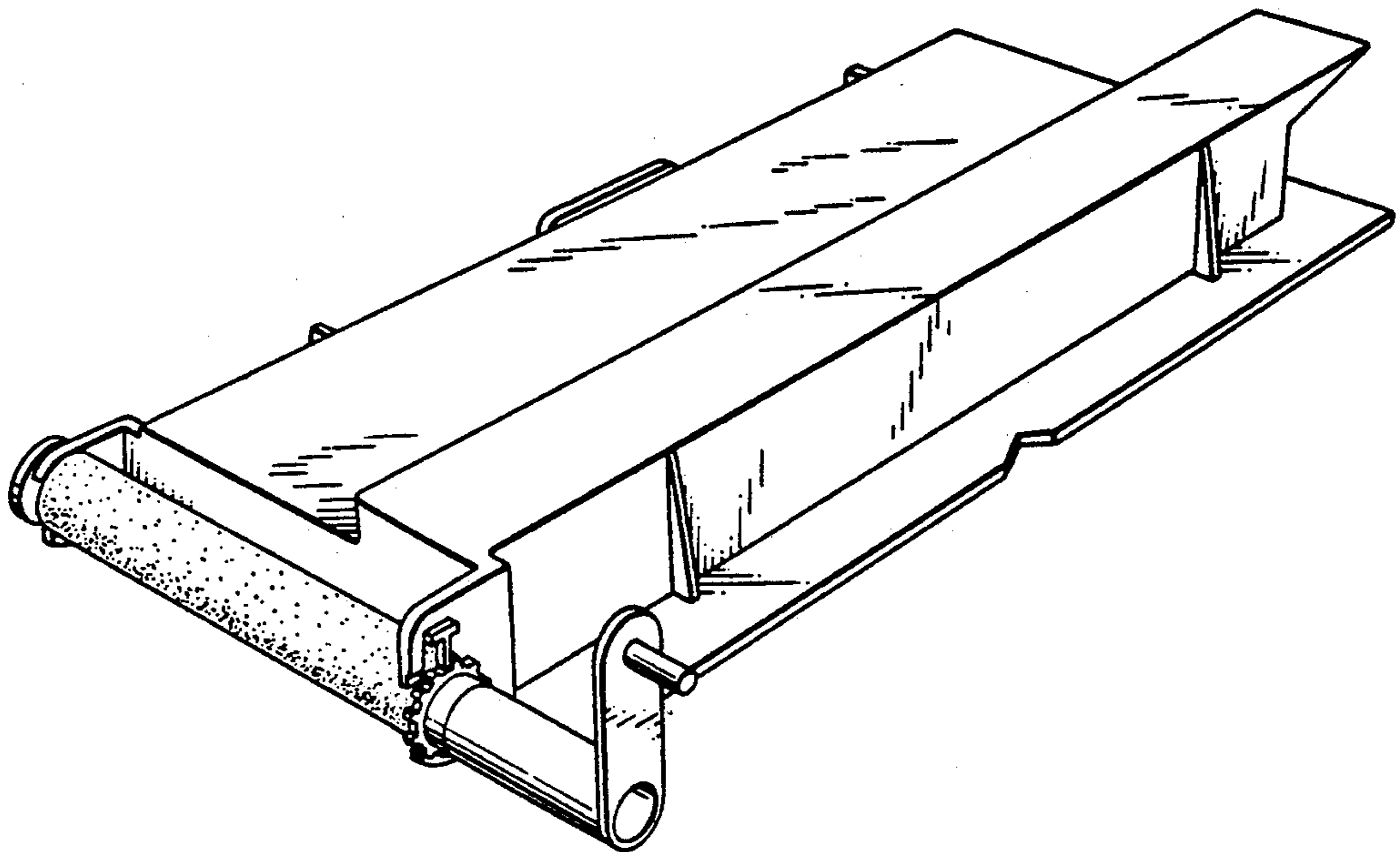


FIG. 2

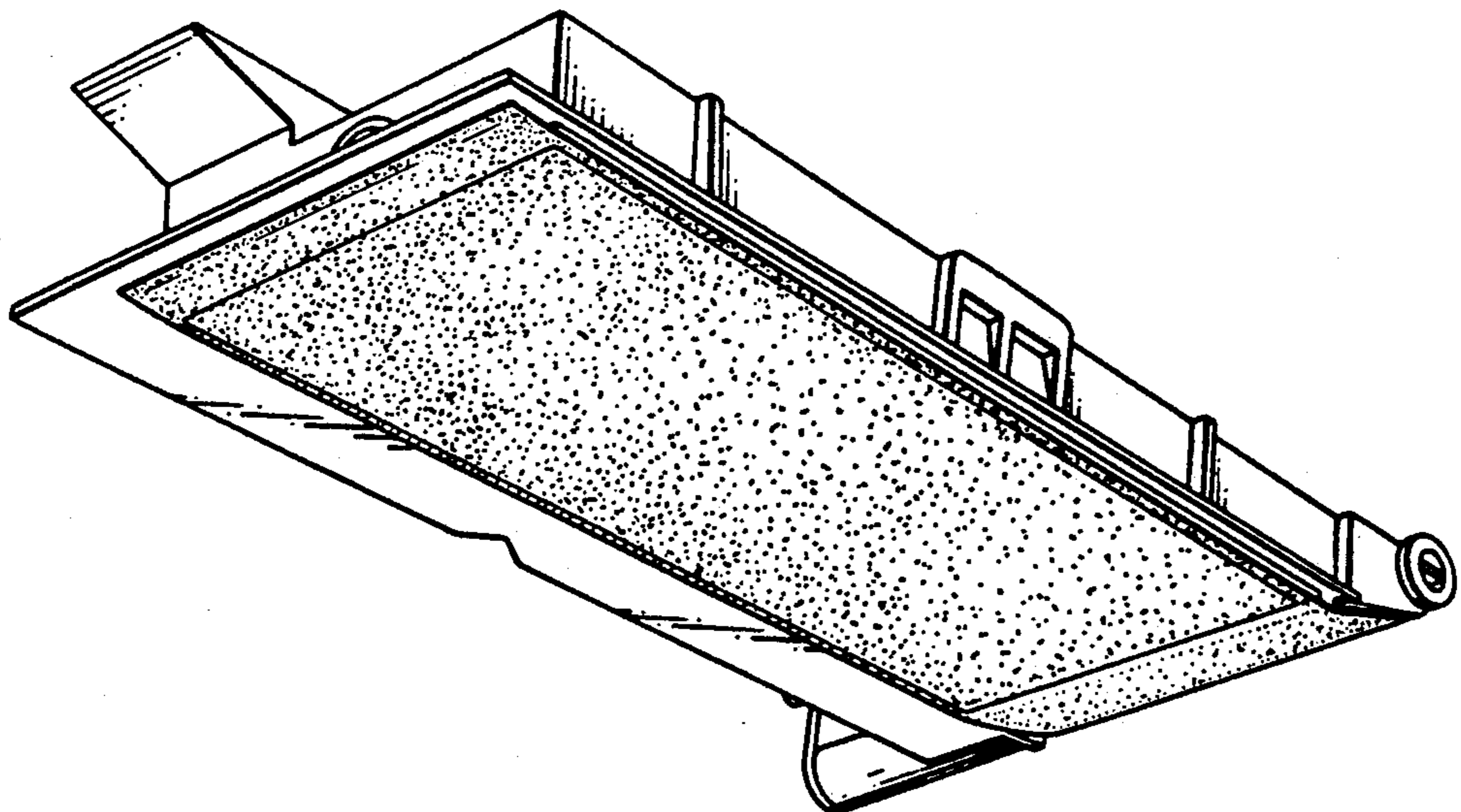


FIG. 3

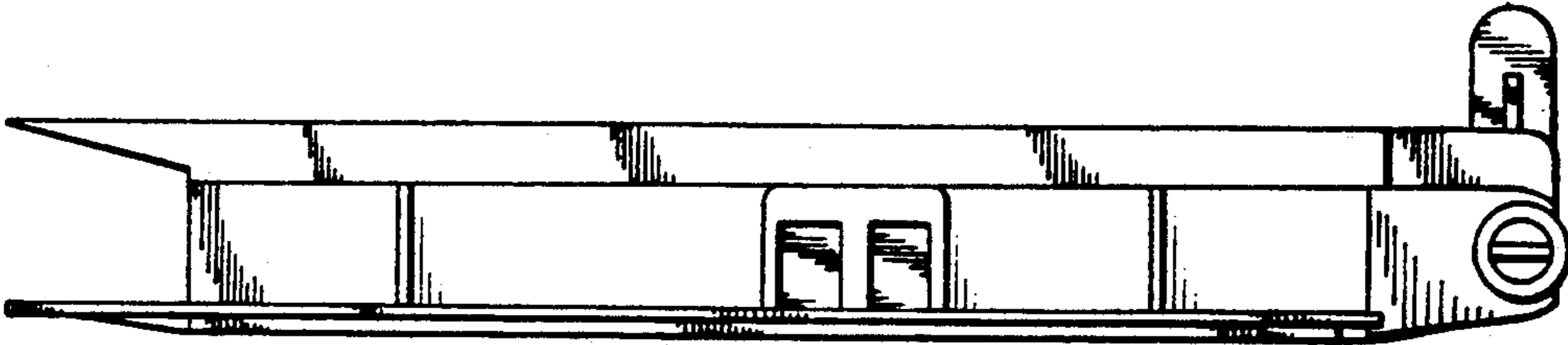


FIG. 4

