



US00D325218S

United States Patent [19]

[11] Patent Number: **Des. 325,218**

La

[45] Date of Patent: **** Apr. 7, 1992**

[54] **INK-JET CARTRIDGE**

[75] Inventor: **Duong T. La, San Diego, Calif.**

[73] Assignee: **Hewlett-Packard Company, Palo Alto, Calif.**

[**] Term: **14 Years**

[21] Appl. No.: **56,211**

[22] Filed: **May 29, 1987**

[52] U.S. Cl. **D18/56**

[58] Field of Search **D18/40, 12, 13, 22, D18/99; 340/200; D14/121, 100, 109, 114, 115; 346/140 PD; 400/67, 121, 124, 126, 175, 194, 197, 200, 201, 202, 202.1, 202.2, 202.3, 248, 679, 690.1, 691, 692, 693, 719**

[56] **References Cited**

U.S. PATENT DOCUMENTS

4,229,114 10/1980 Van Horne 400/692
4,256,408 3/1981 Shelton 400/692

4,530,611 7/1985 Borcenk et al. 400/692
4,709,247 11/1987 Piatt 346/140 PD
4,755,836 7/1988 Ta et al. 346/140 PD
4,806,032 2/1989 Gragg et al. 400/126

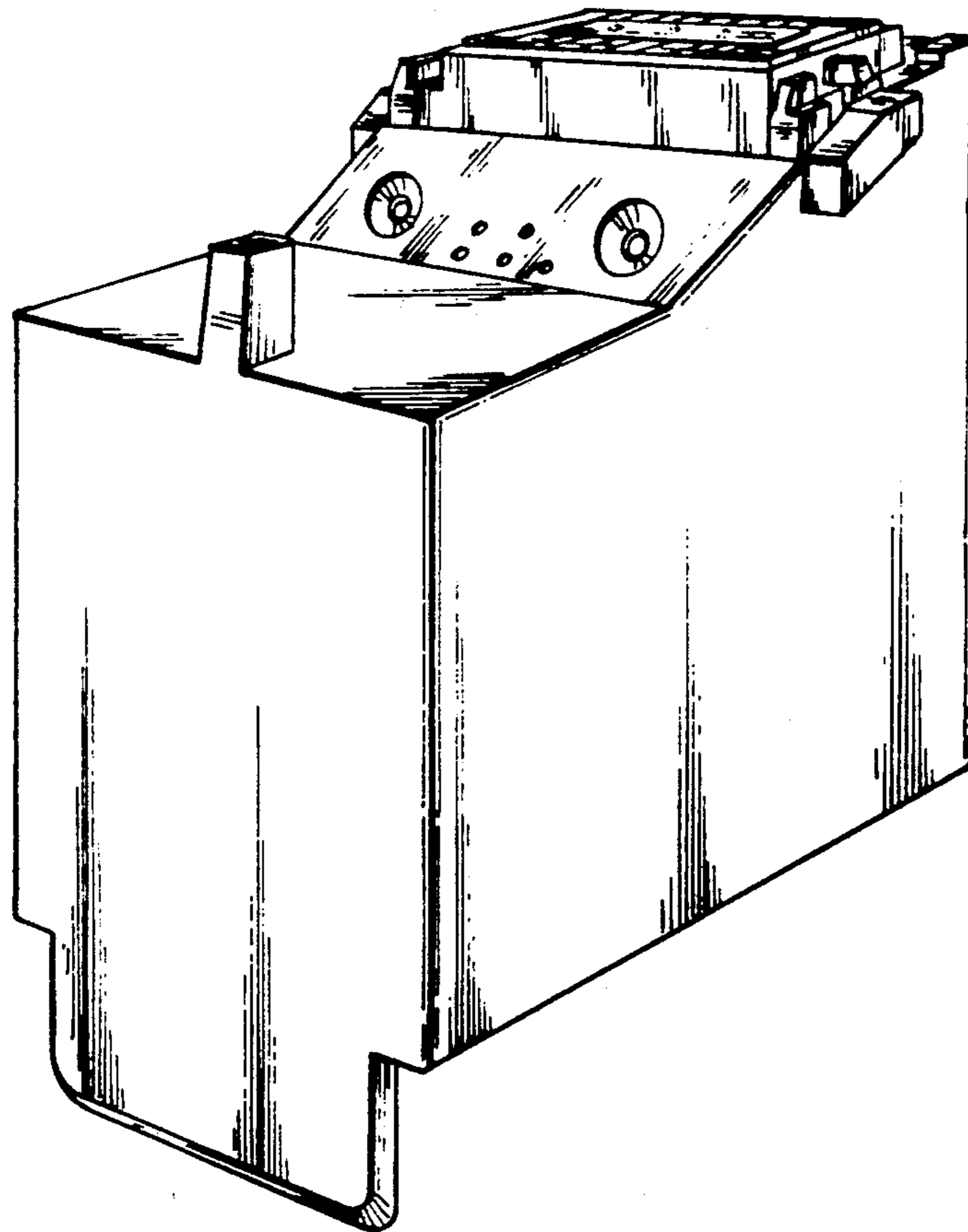
Primary Examiner—A. Hugo Word
Assistant Examiner—CathyAnne MacCormac

[57] **CLAIM**

The ornamental design for an ink-jet cartridge, as shown and described.

DESCRIPTION

FIG. 1 is a perspective view of an ink-jet cartridge showing my new design;
FIG. 2 is a front elevational view thereof;
FIG. 3 is a rear elevational view thereof;
FIG. 4 is a left side elevational view thereof;
FIG. 5 is a right side elevational view thereof;
FIG. 6 is a top plan view thereof;
FIG. 7 is a bottom plan view thereof; and,
FIG. 8 is a second embodiment of FIG. 1.



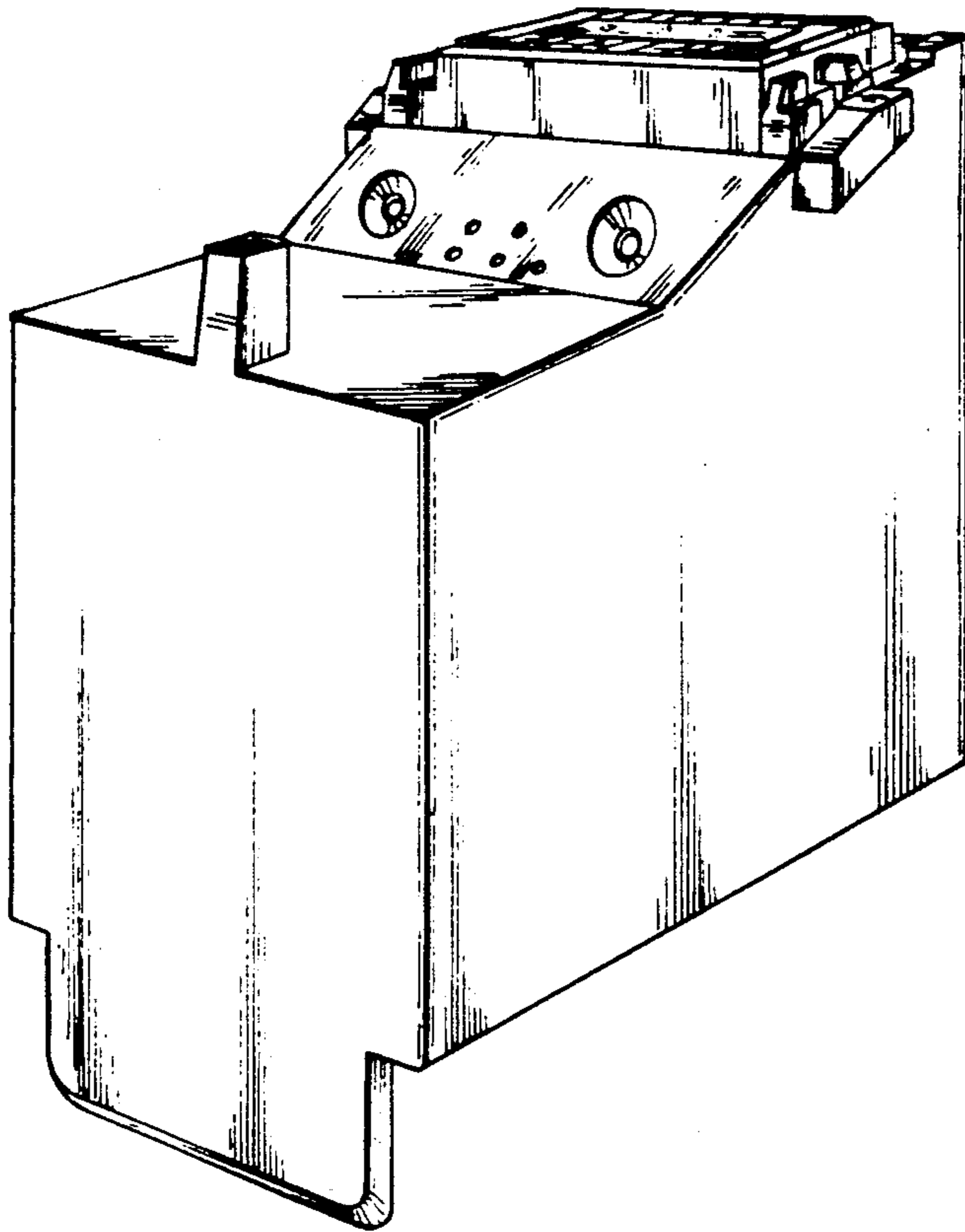


FIG. 1

FIG. 2

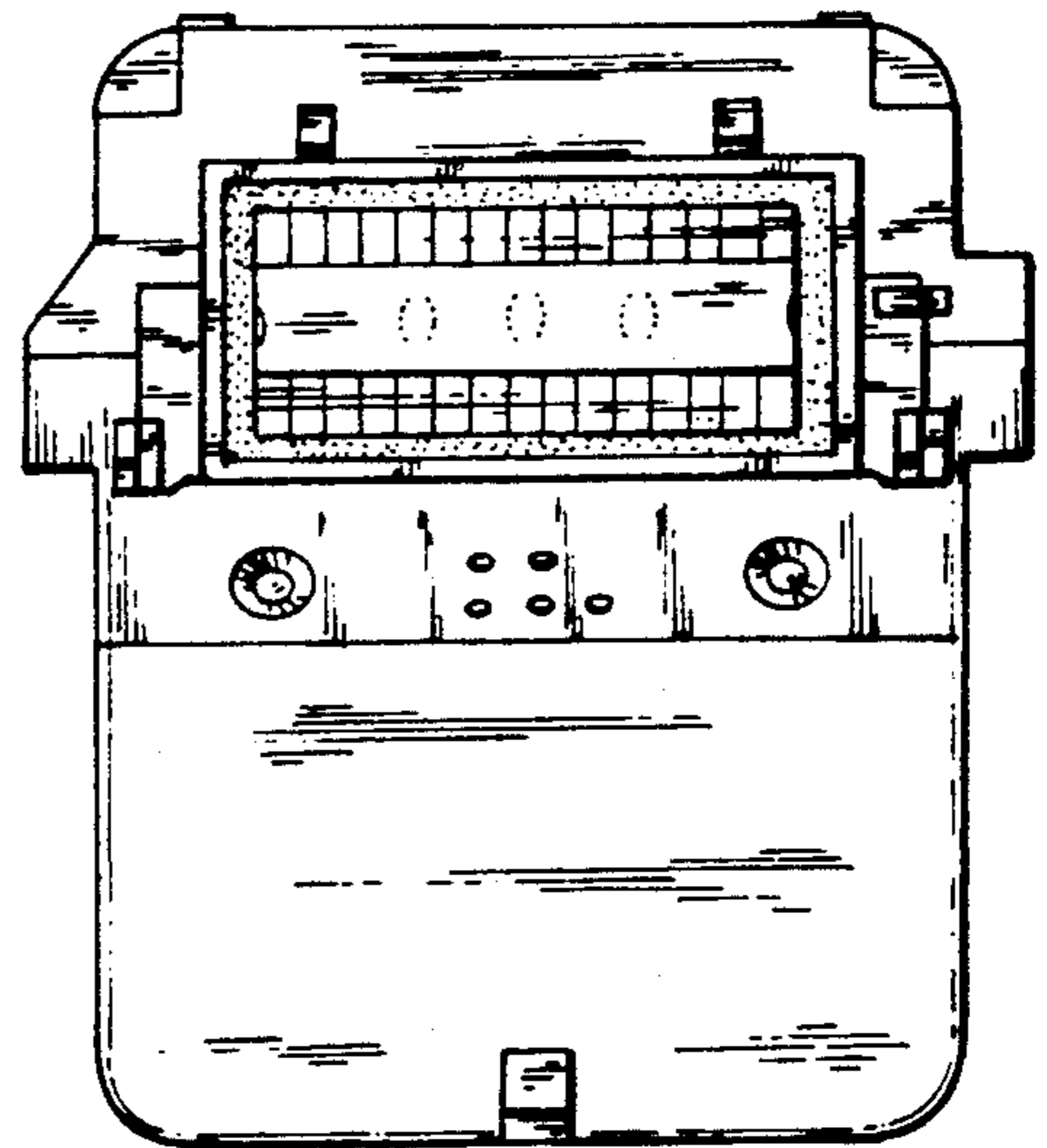


FIG. 3

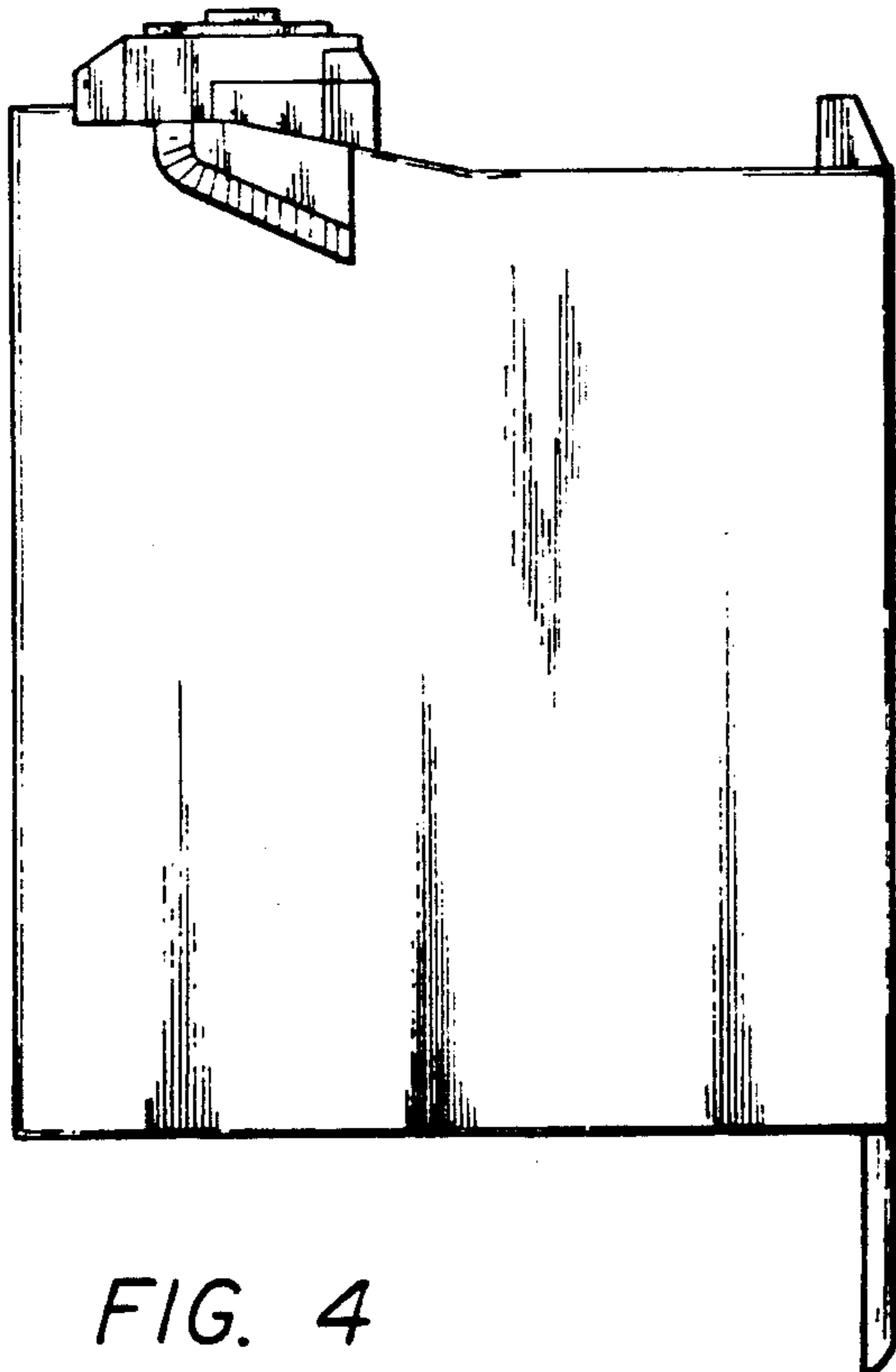
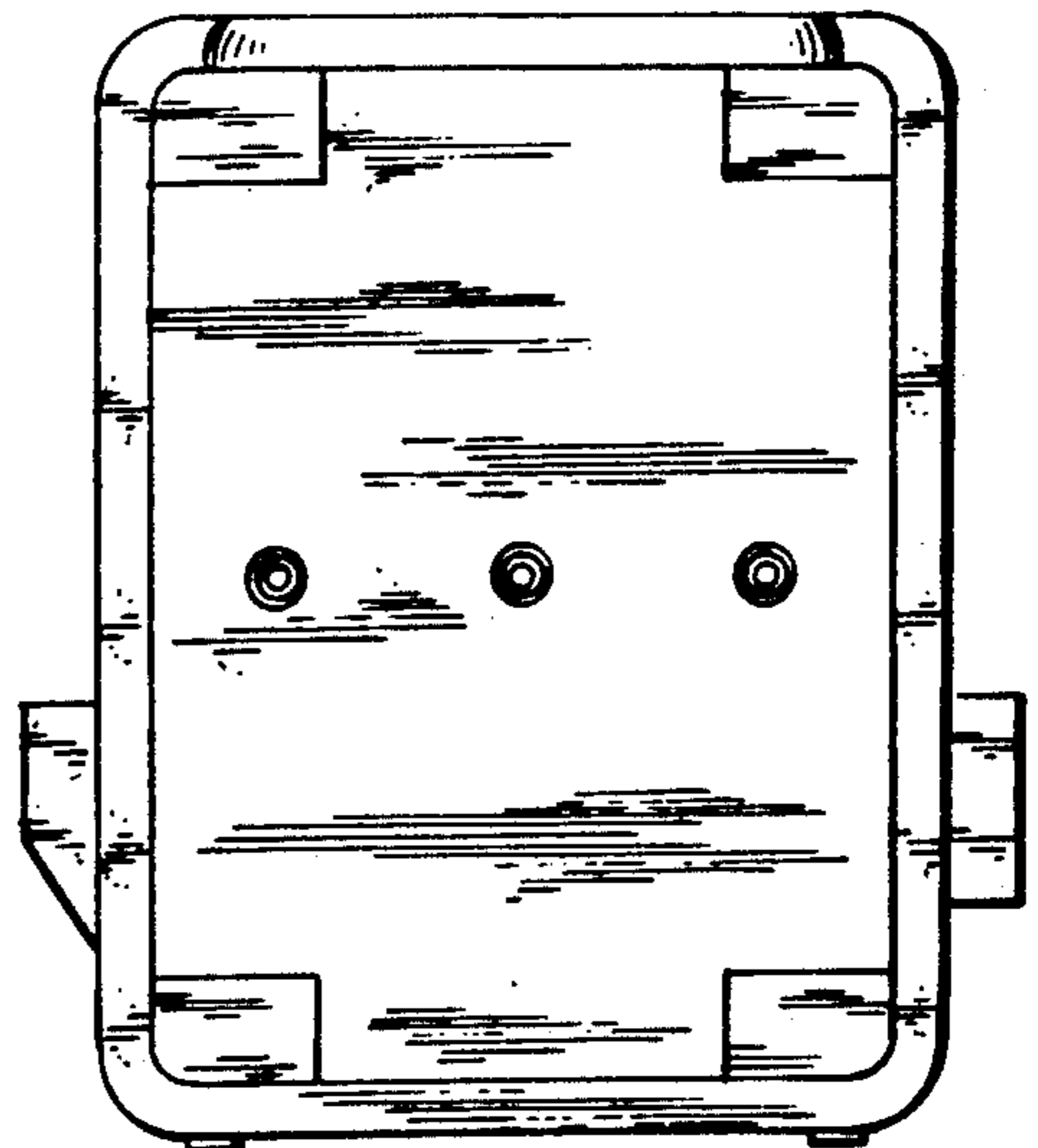


FIG. 4

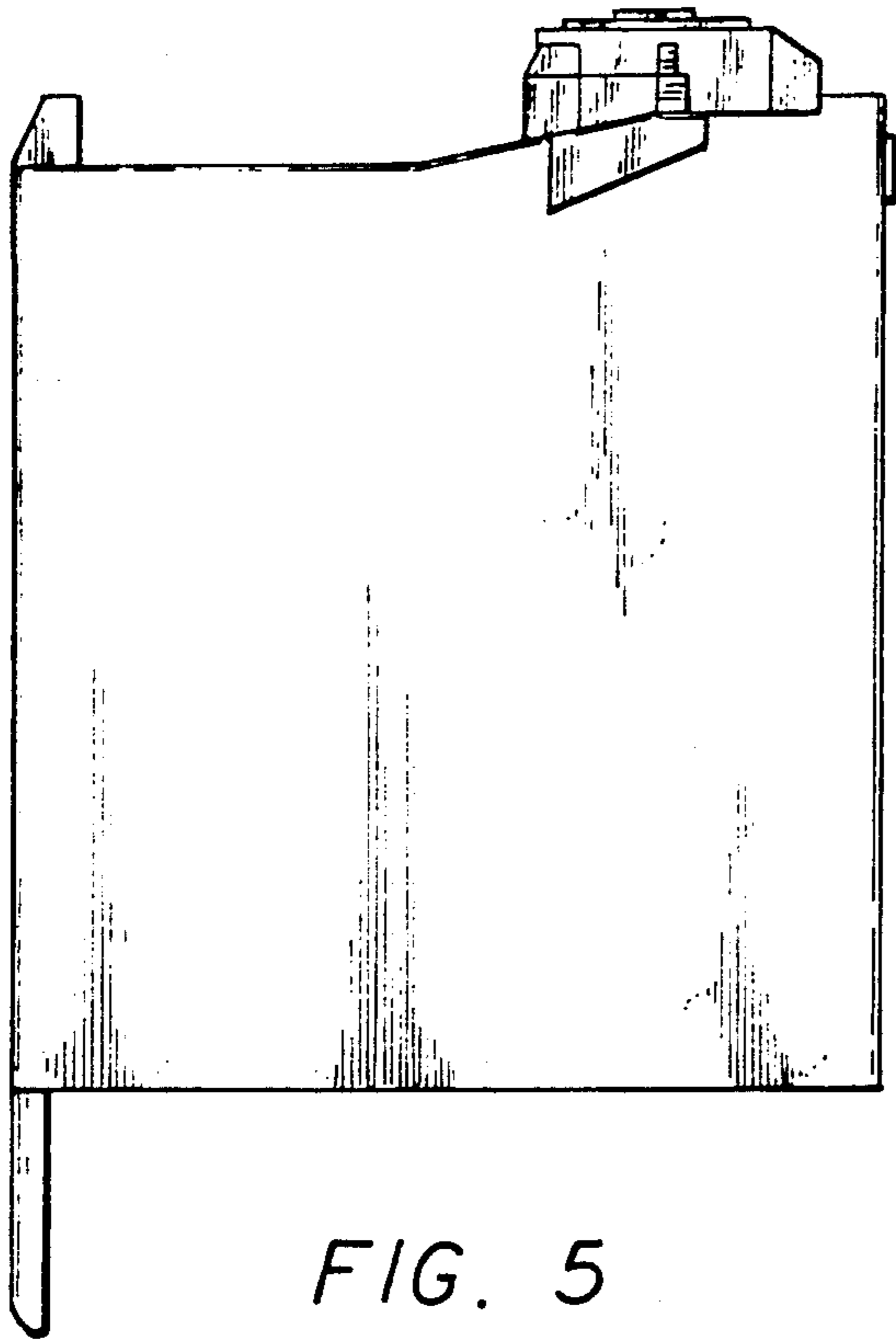


FIG. 5

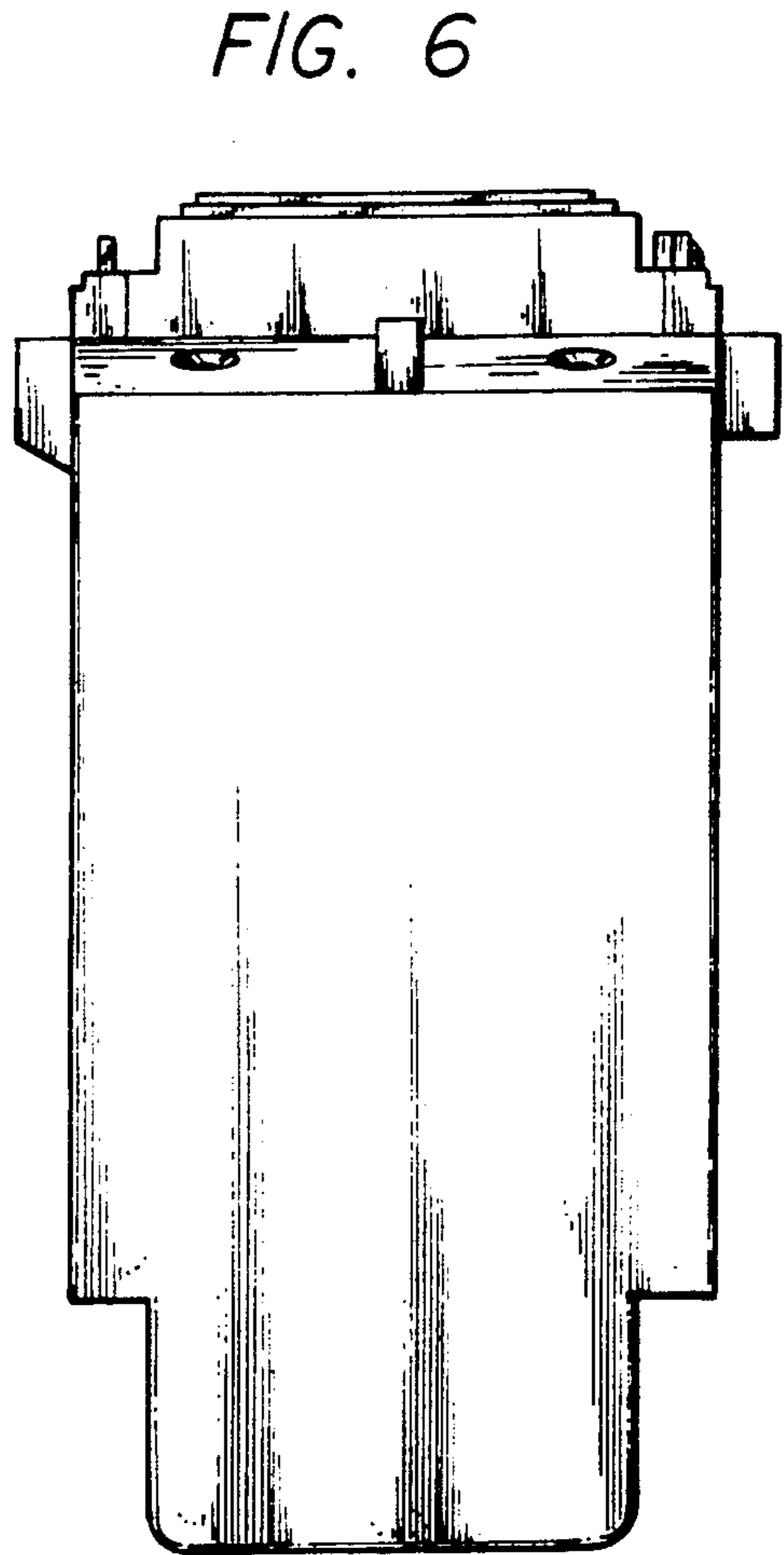


FIG. 6

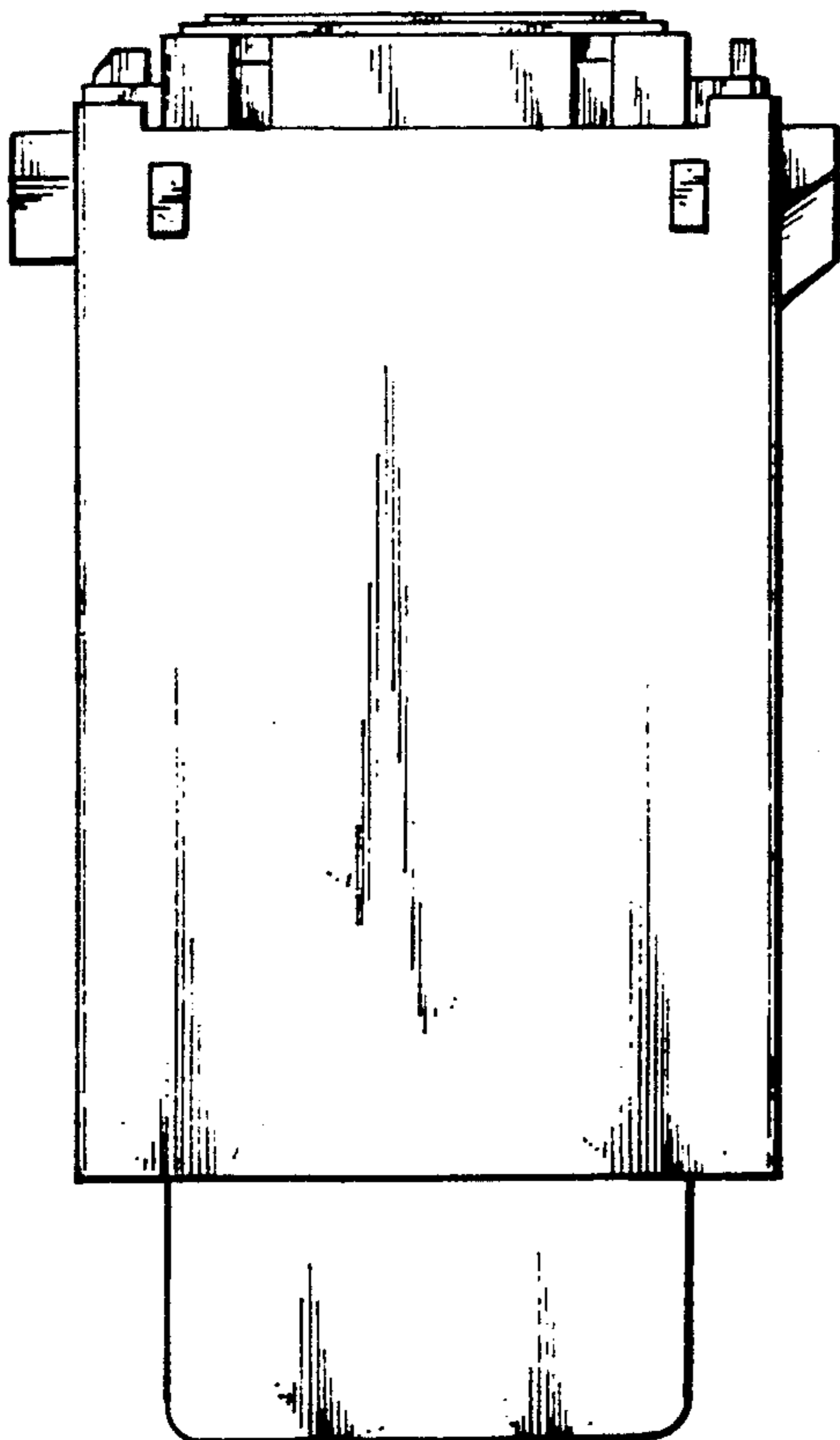


FIG. 7

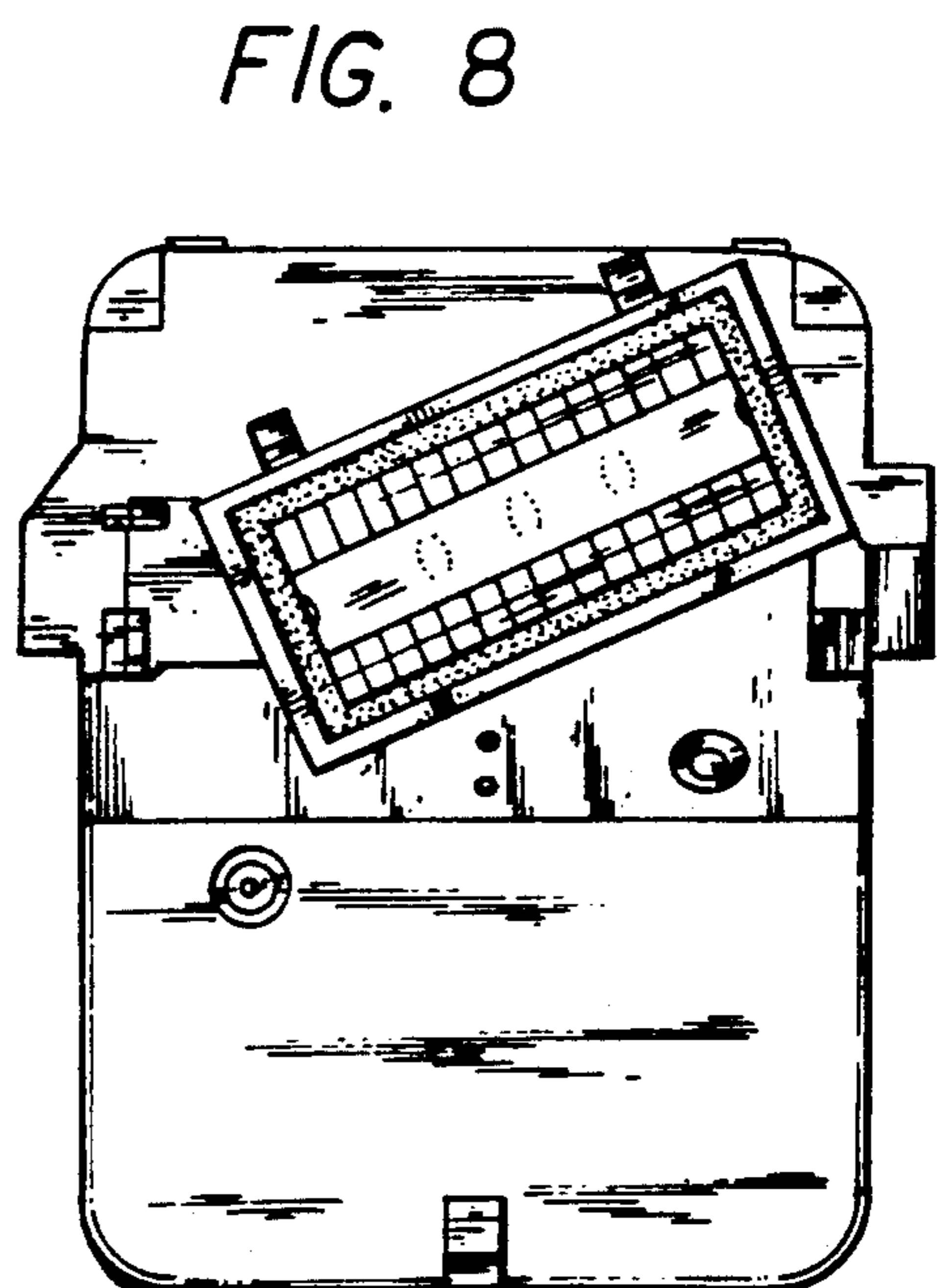


FIG. 8