



US00D325216S

United States Patent [19]

[11] Patent Number: Des. 325,216

Girard

[45] Date of Patent: \*\* Apr. 7, 1992

[54] DOCUMENT PRINTER

[75] Inventor: James J. Girard, Boise, Id.  
[73] Assignee: Hewlett-Packard Company, Palo Alto, Calif.

[\*\*] Term: 14 Years

[21] Appl. No.: 401,283

[22] Filed: Aug. 31, 1989

[52] U.S. Cl. .... D18/55

[58] Field of Search ..... D18/13, 36-39;  
D14/111, 106; 400/613, 613.1-613.4, 691-694;  
101/9, 130, 420

OTHER PUBLICATIONS

Canon LBP-8II Laser Beam Printer; 1987; cover photo.  
Genicom 5010 brochure; p. 5.  
OKI Laserline 6 Printer brochure.  
Modern Office Technology; Jun. 1989; p. 8; Mannes-  
man Tally MT905 advertisement.

Primary Examiner—A. Hugo Word  
Assistant Examiner—CathyAnne MacCormac

[57] CLAIM

The ornamental design for a document printer, as shown and described.

[56] References Cited

U.S. PATENT DOCUMENTS

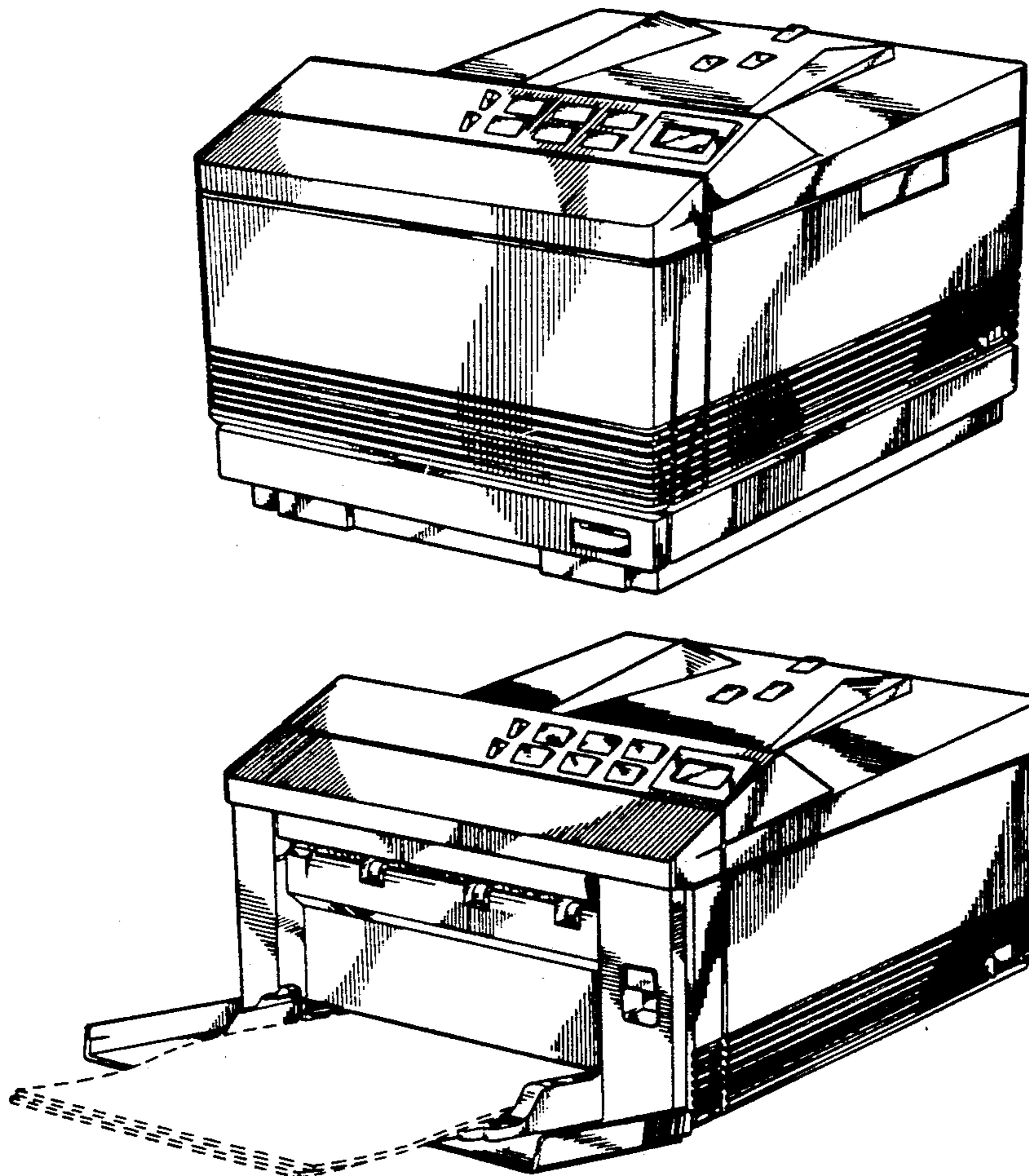
D. 197,539	2/1964	Knowles	.....	D18/36
D. 281,256	11/1985	Yamamoto	.....	D18/13
D. 283,900	5/1986	Hollerith, Jr. et al.	.....	D18/13
D. 307,764	5/1990	Kojima	.....	D18/13
D. 308,694	6/1990	Hikawa	.....	D18/13
D. 313,613	1/1991	Nagaya	.....	D18/13
D. 317,420	6/1991	Kosako et al.	.....	D18/13

FOREIGN PATENT DOCUMENTS

694446	12/1986	Japan	.....	D18/13
--------	---------	-------	-------	--------

DESCRIPTION

FIG. 1 is a front perspective view of a document printer showing my new design;  
FIG. 2 is a front elevational view thereof;  
FIG. 3 is a rear elevational view thereof;  
FIG. 4 is a right side elevational view thereof;  
FIG. 5 is a left side elevational view thereof;  
FIG. 6 is a top plan view thereof; and,  
FIG. 7 is a front perspective view showing the door in open position.  
The broken lines in FIG. 7 are for purposes of illustration only and form no part of the claimed design.



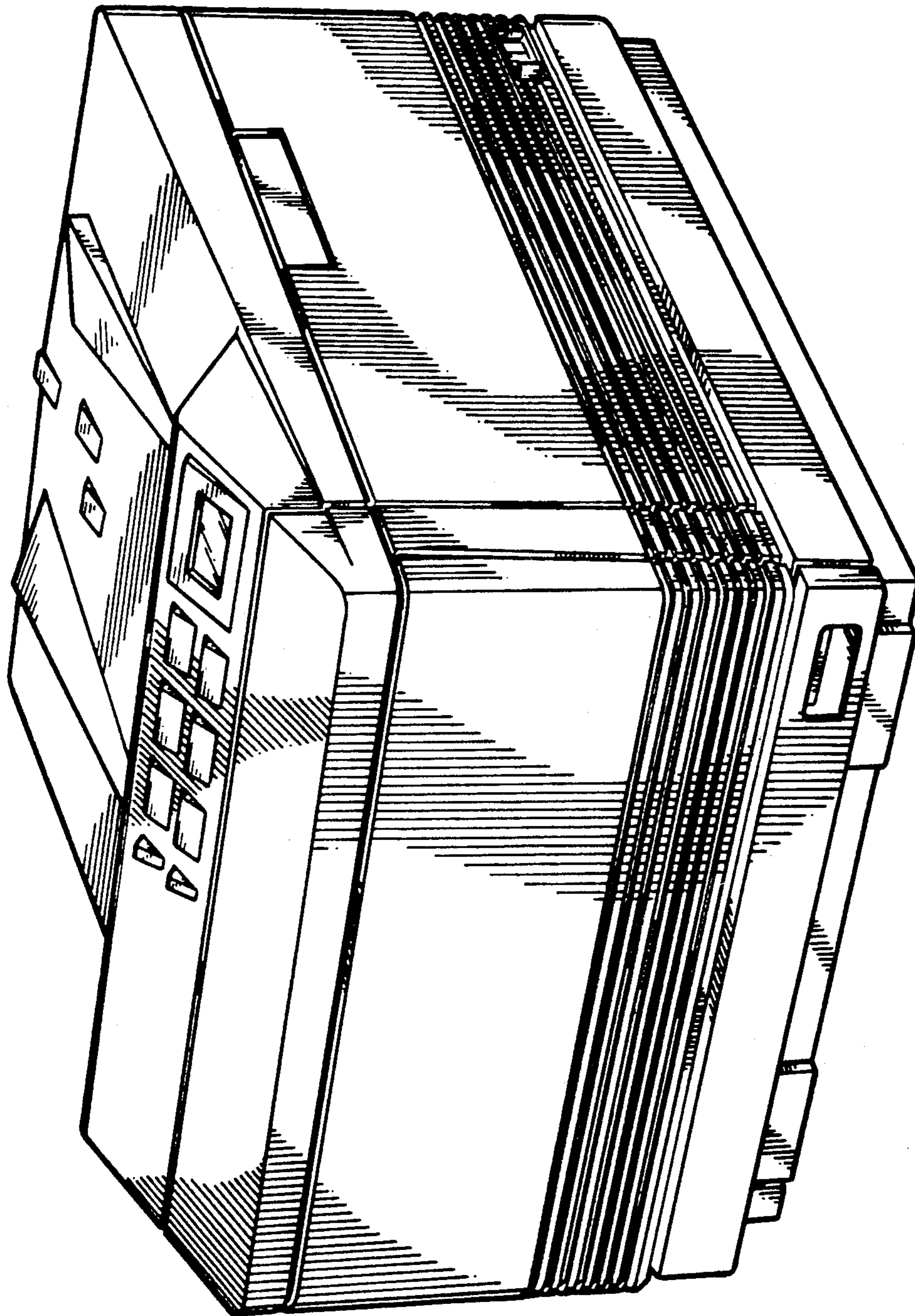


FIG. 1

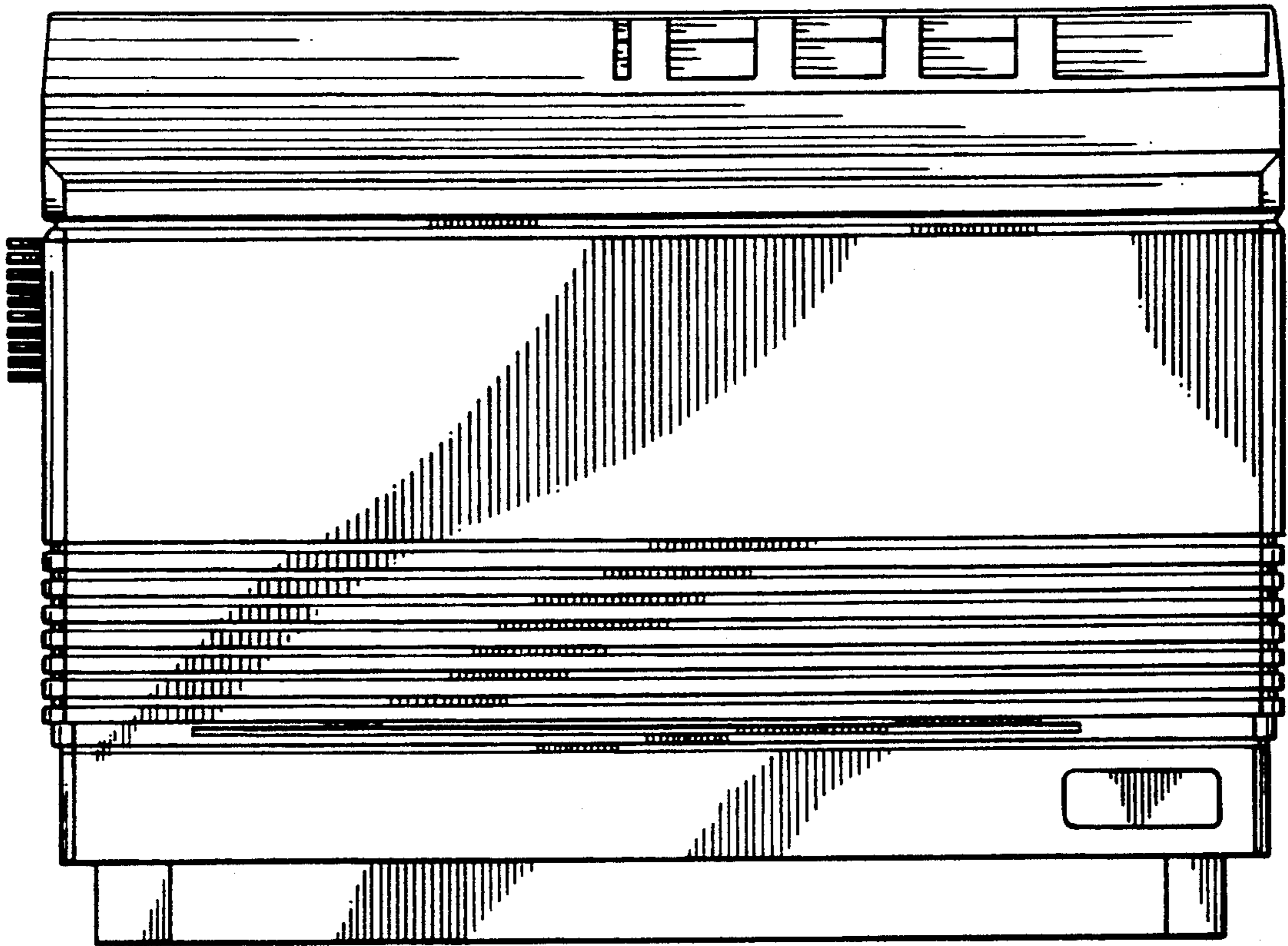


FIG. 2

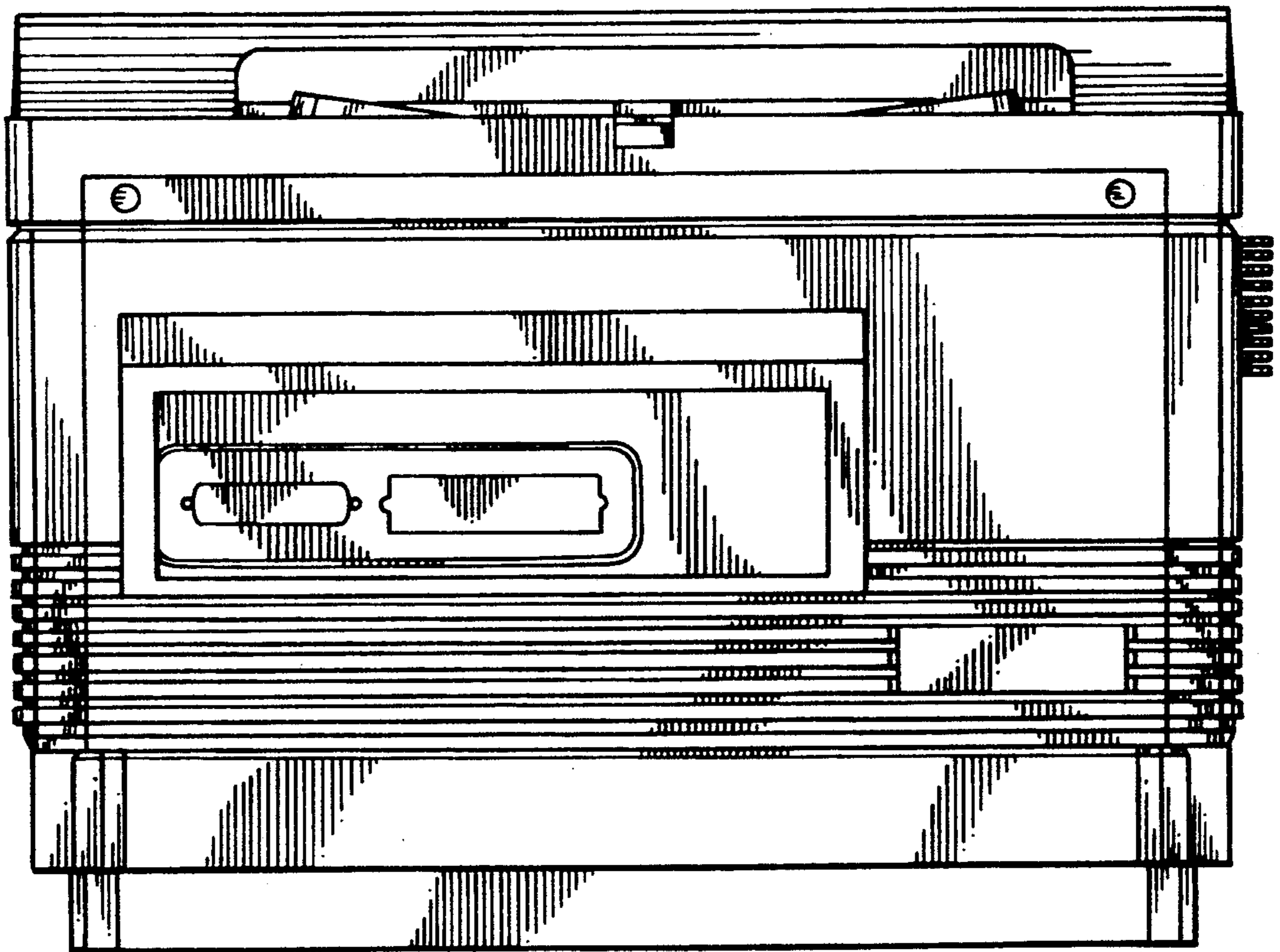


FIG. 3

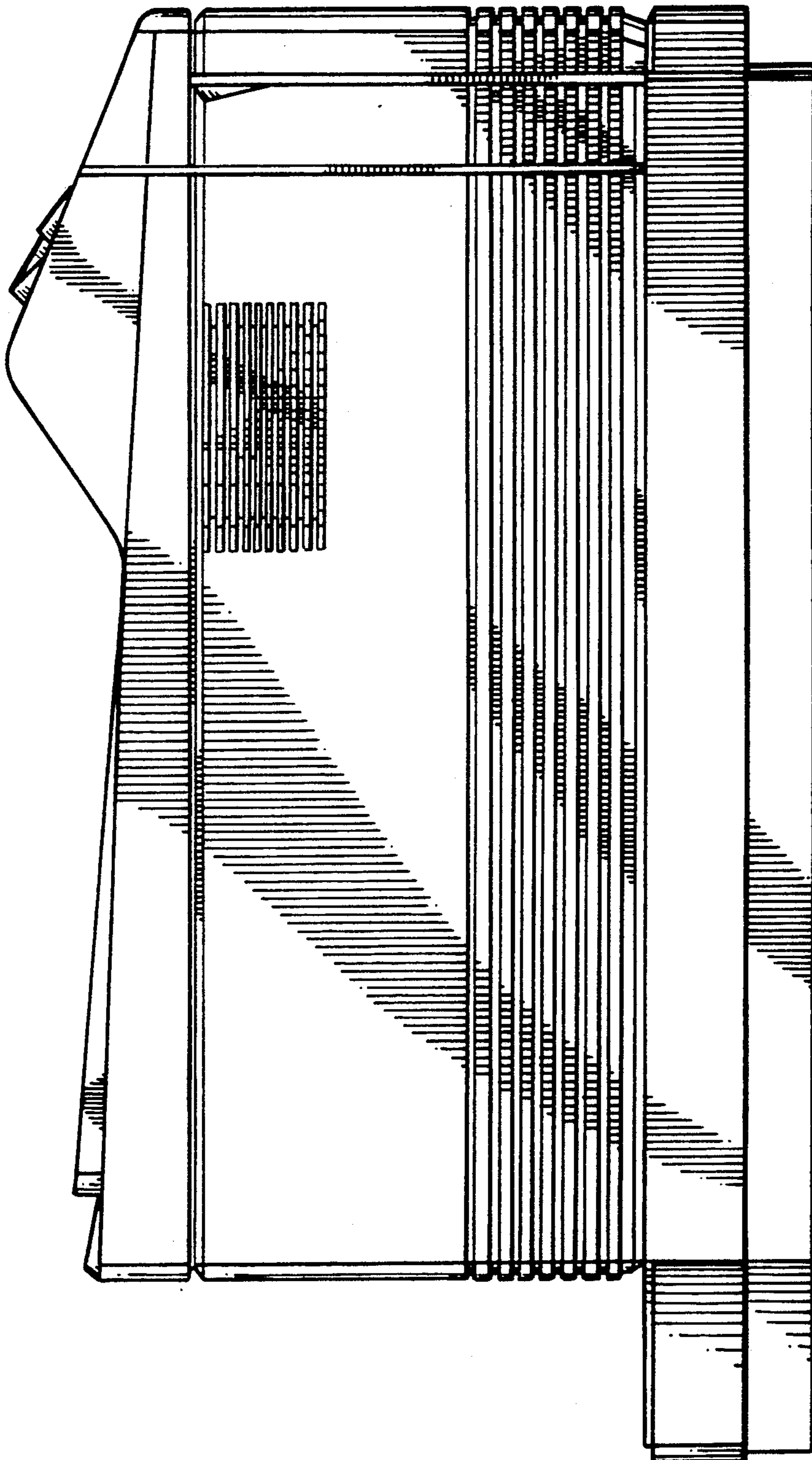


FIG. 4

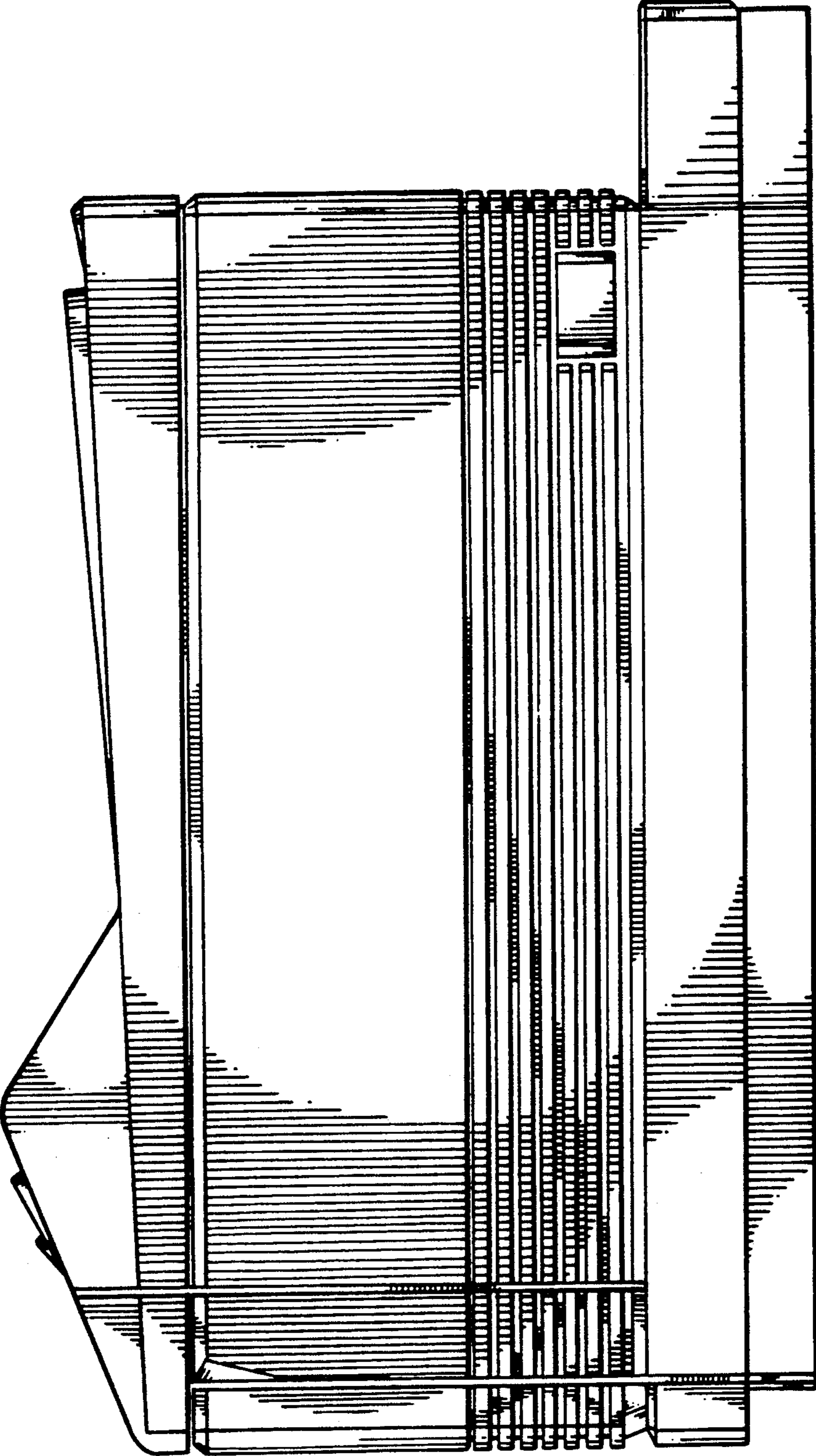


FIG. 5

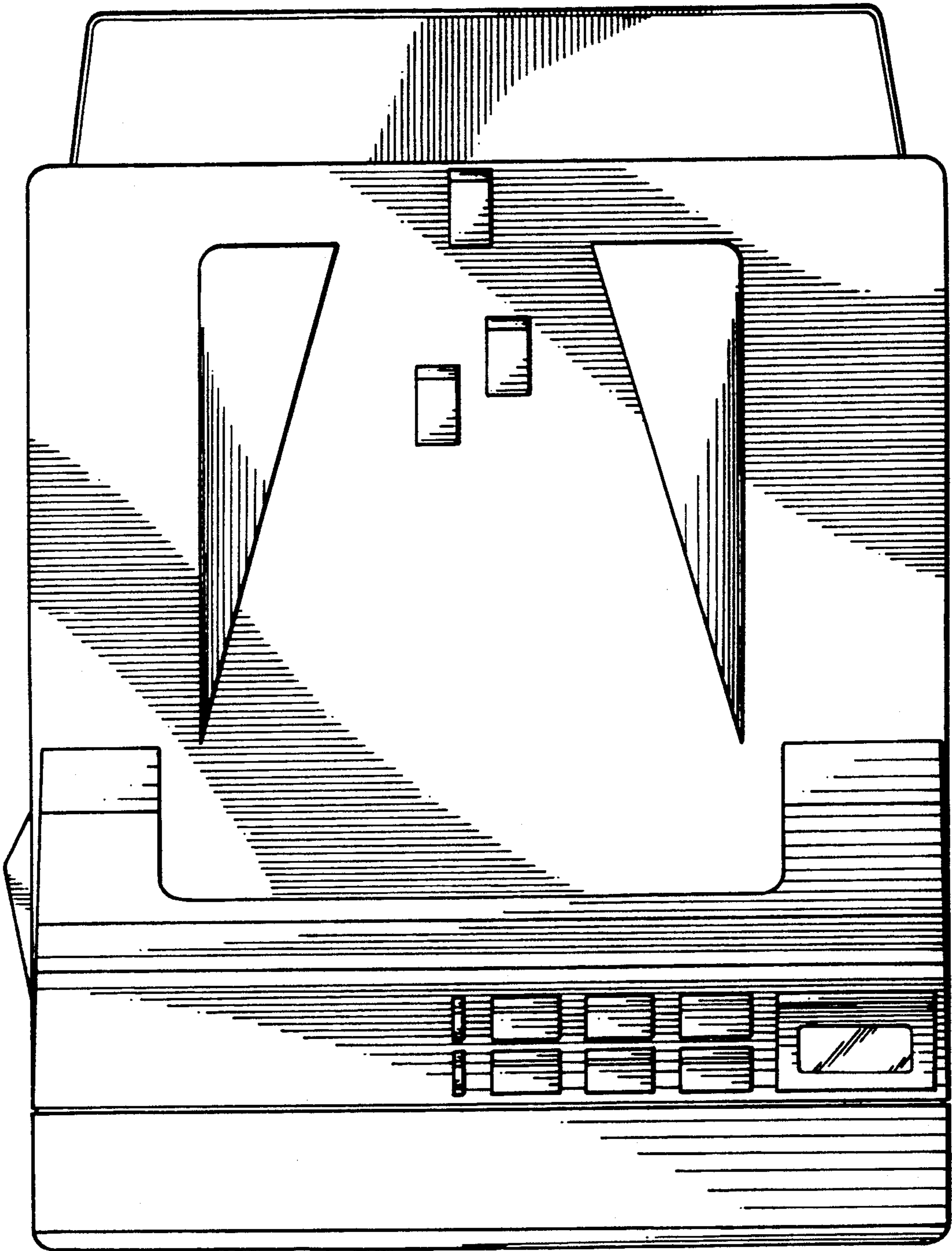


FIG. 6

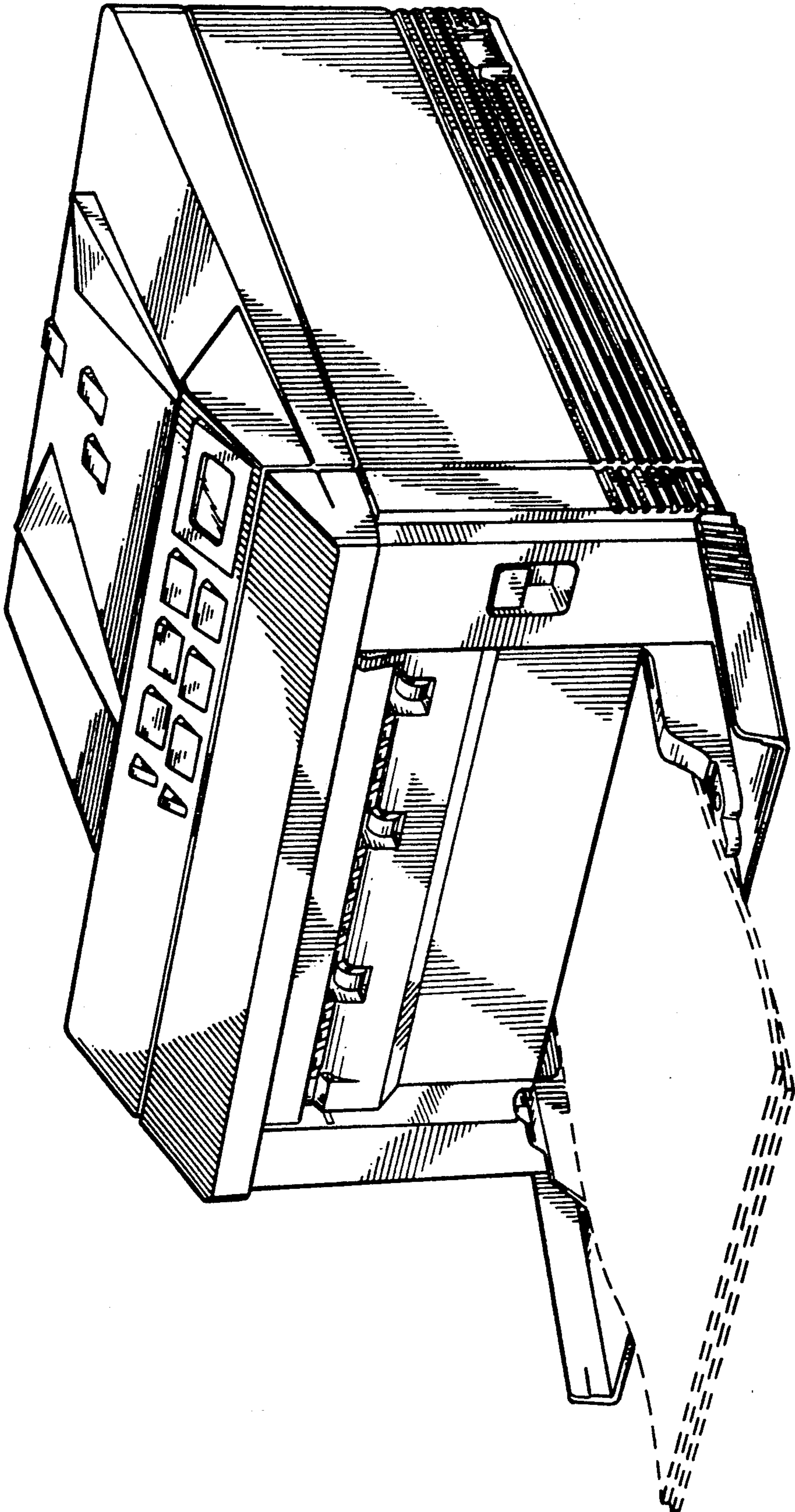


FIG. 7