



US00D325212S

United States Patent [19]
Elberbaum

[11] **Patent Number: Des. 325,212**
[45] **Date of Patent: ** Apr. 7, 1992**

[54] **CASING FOR TV CAMERA**

[75] **Inventor: David Elberbaum, Tokyo, Japan**

[73] **Assignee: Elbex Video Kabushiki Kaisha,
Tokyo, Japan**

[**] **Term: 14 Years**

[21] **Appl. No.: 380,641**

[22] **Filed: Jul. 17, 1989**

[52] **U.S. Cl. D16/219**

[58] **Field of Search D16/211, 219, 200, 242,
D16/250; 354/81, 82, 173.1, 293**

[56] **References Cited**

U.S. PATENT DOCUMENTS

D. 22,649	7/1893	Casler	D16/200
4,320,949	3/1982	Pagano .	
4,736,218	4/1988	Kutman	354/81
4,796,039	1/1989	Pagano	354/81

Primary Examiner—Bernard Ansher
Assistant Examiner—Dominic Simone
Attorney, Agent, or Firm—Graybeal Jackson Haley & Johnson

[57] **CLAIM**

The ornamental design of a casing for TV camera, as shown and described.

DESCRIPTION

FIG. 1 is a perspective view of a casing for TV camera showing my new design;

FIG. 2 is a front elevational view thereof, the rear view being the same;

FIG. 3 is a top plan view thereof;

FIG. 4 is a side elevational view thereof, the opposite side view being the same; and,

FIG. 5 is a bottom plan view thereof.

The broken line showing of a TV camera is for illustrative purposes only and forms no part of the claimed design.

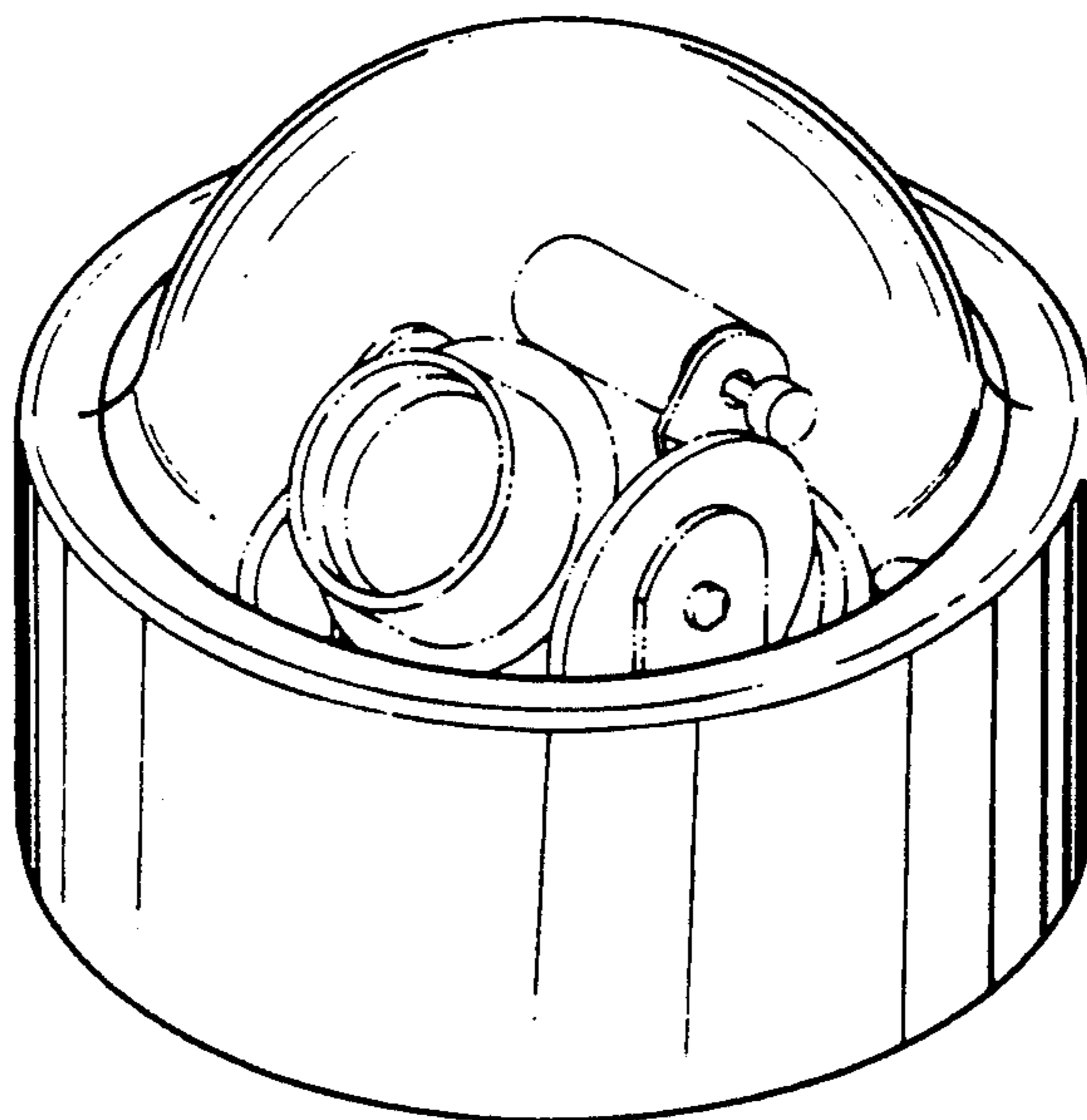


FIG. 1

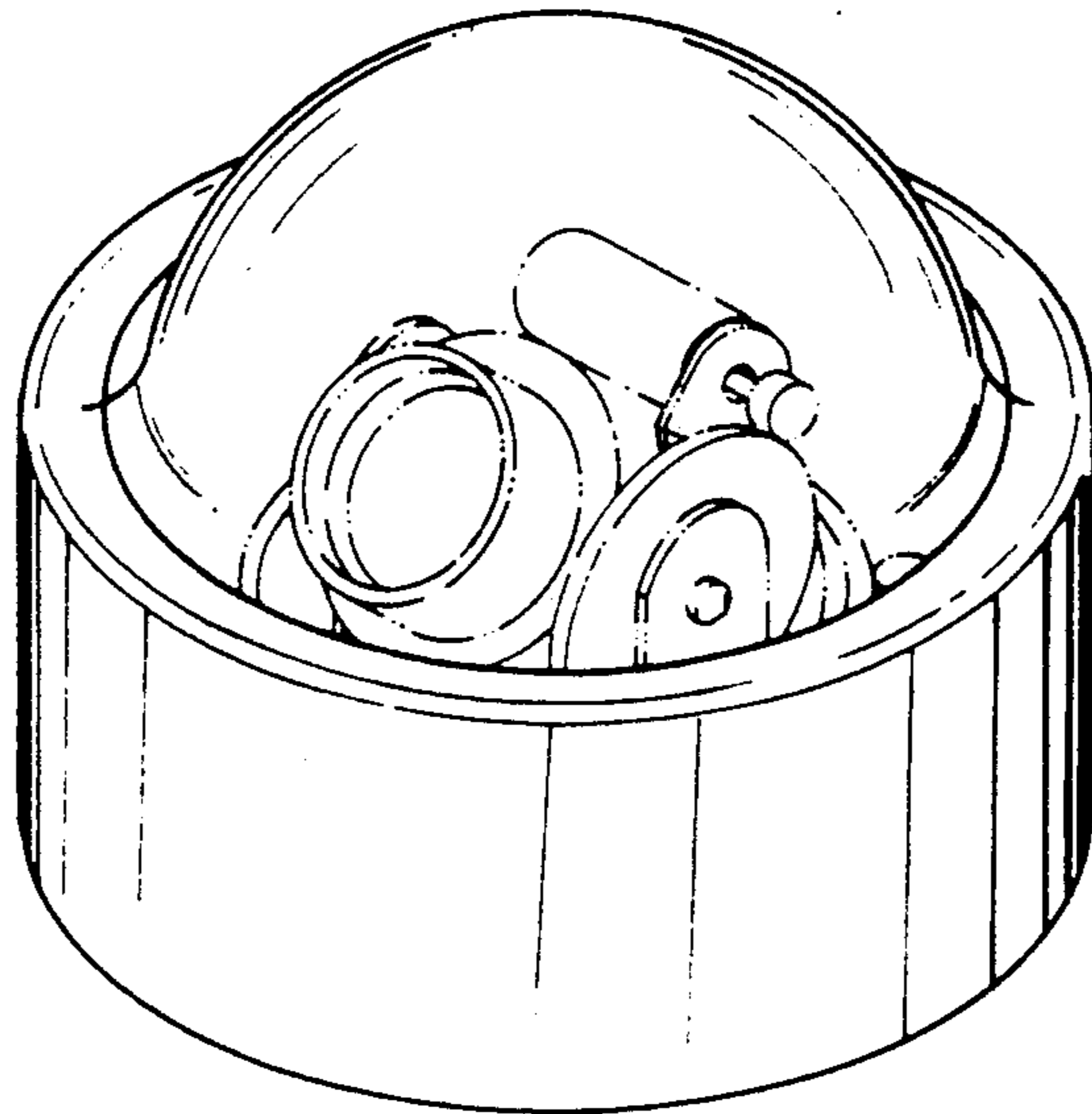


FIG. 2

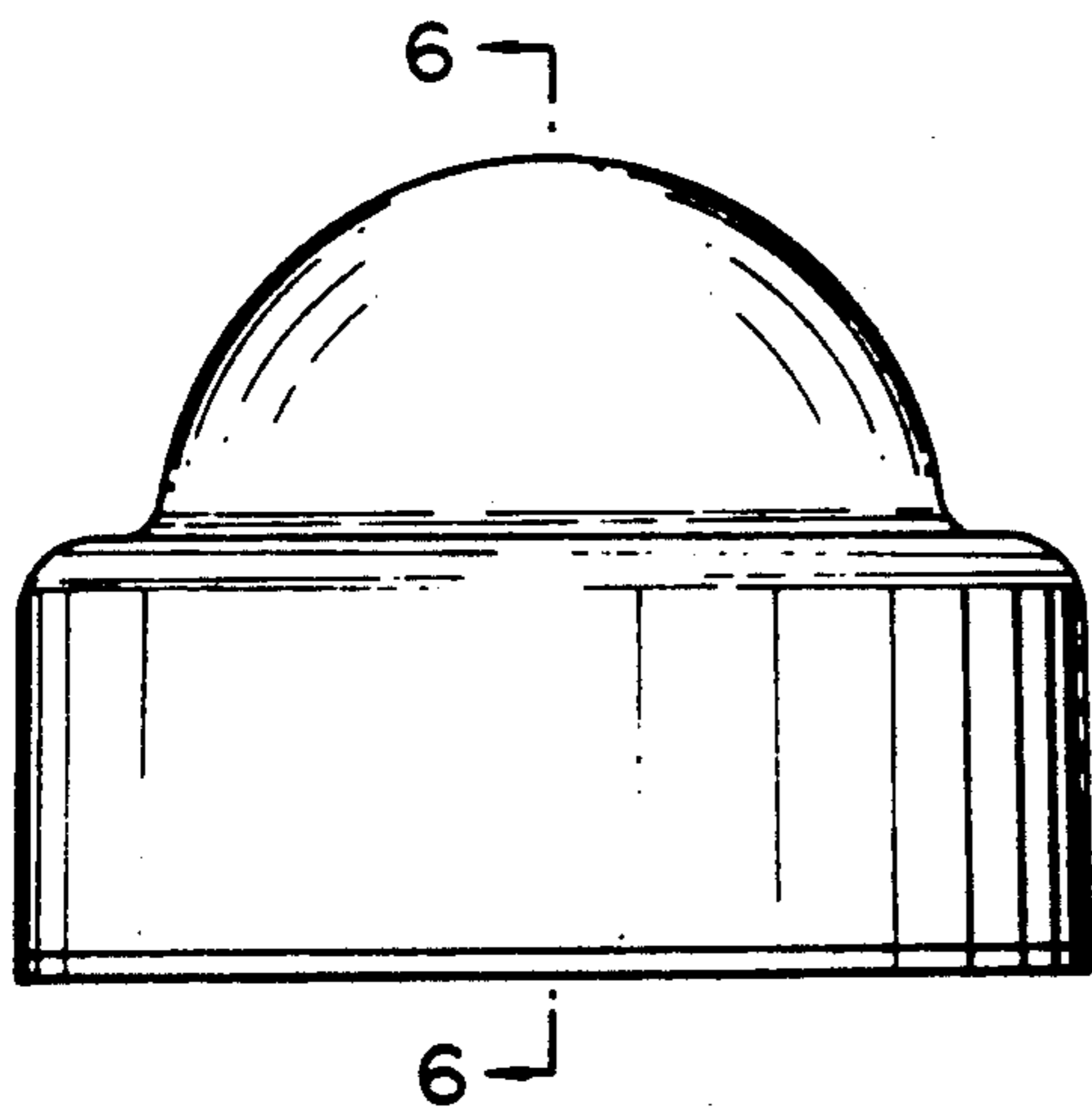


FIG. 3

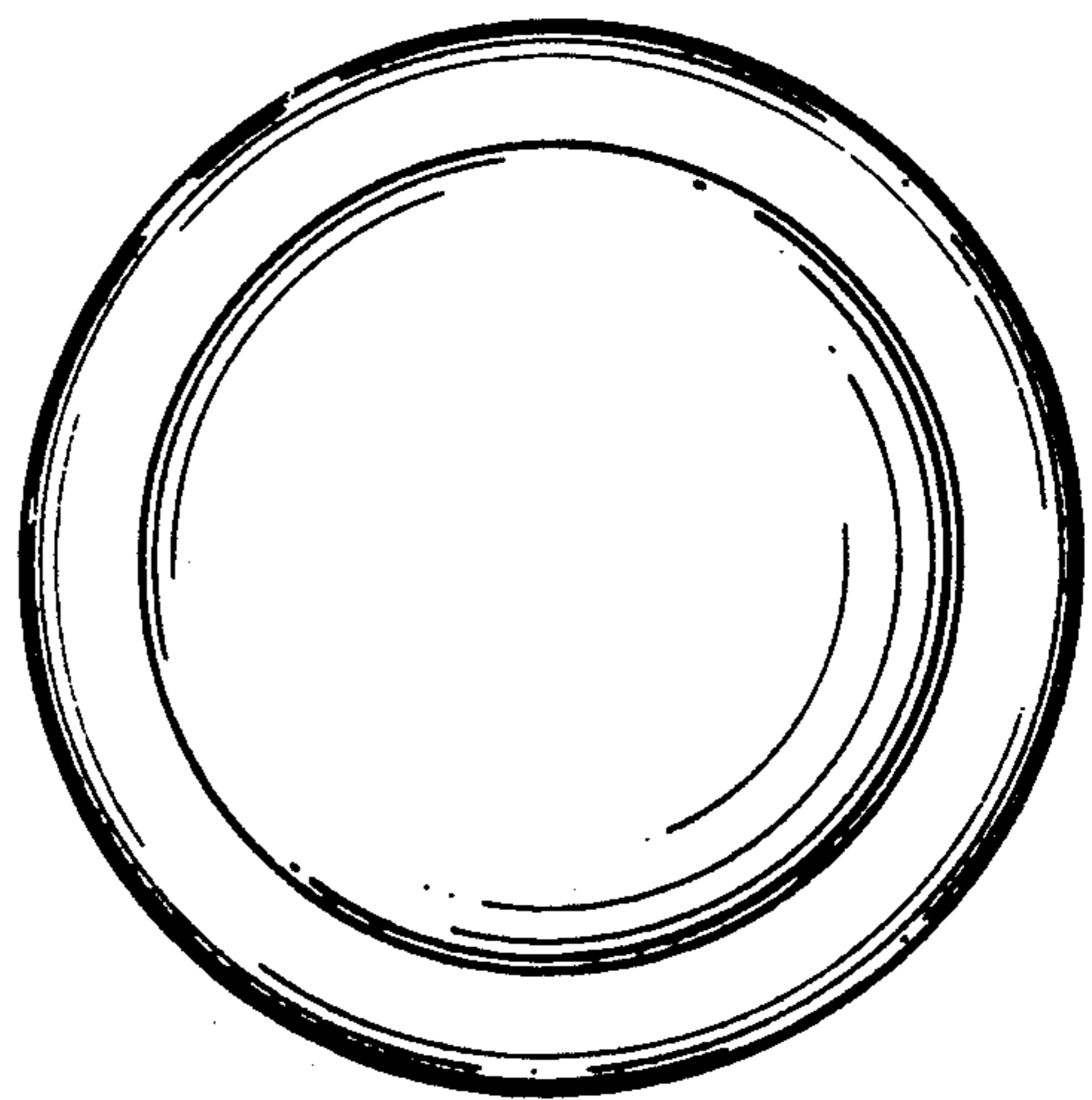


FIG. 4

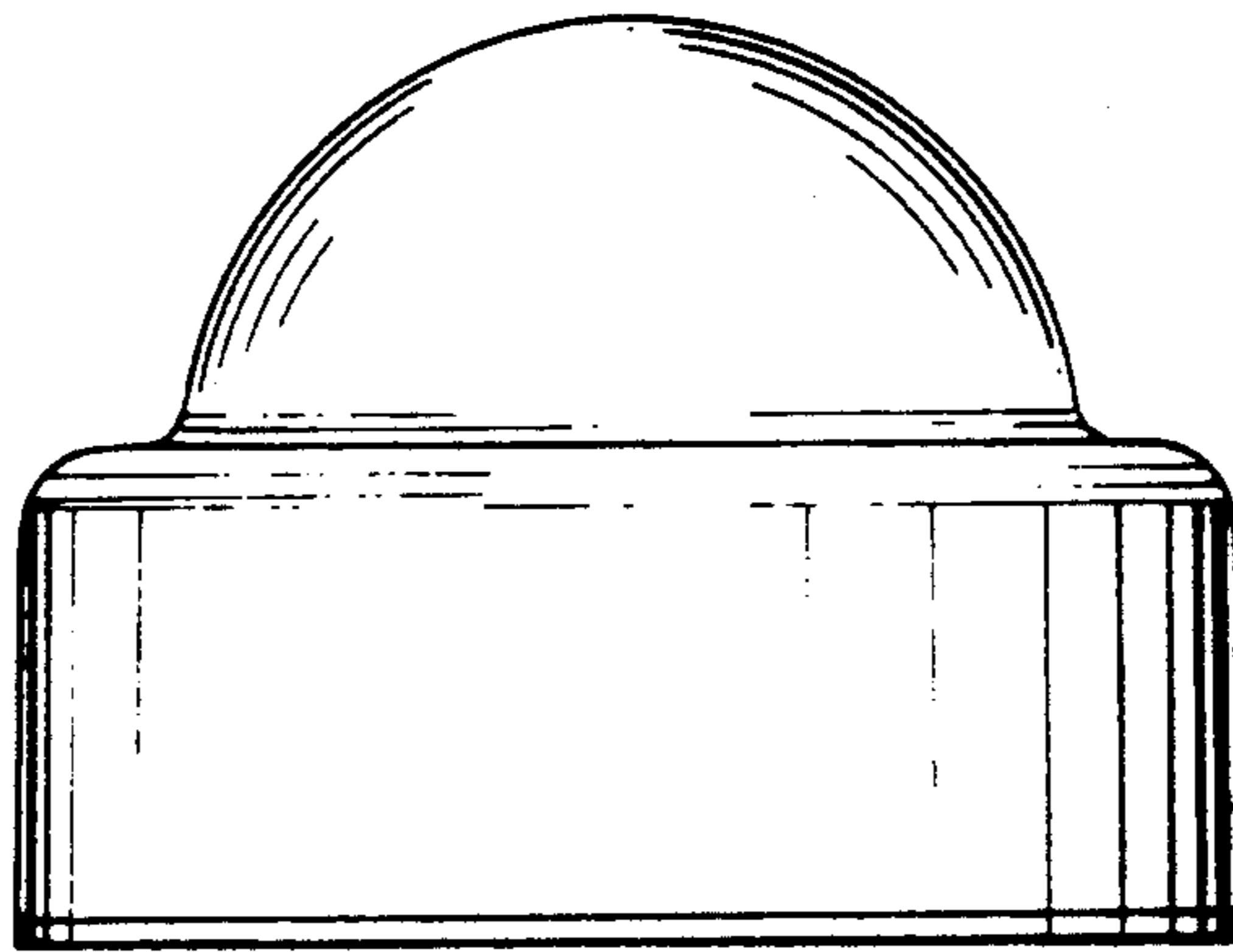


FIG. 5

