



US00D325211S

United States Patent [19]

[11] Patent Number: **Des. 325,211**

Leonard

[45] Date of Patent: **** Apr. 7, 1992**

[54] **CAMERA WITH SLIDING LENS COVER**

[75] Inventor: **Bruce A. Leonard**, Honeoye Falls, N.Y.

[73] Assignee: **Eastman Kodak Company**, Rochester, N.Y.

[**] Term: **14 Years**

[21] Appl. No.: **465,671**

[22] Filed: **Jan. 16, 1990**

[52] U.S. Cl. **D16/209**

[58] Field of Search **D16/200, 202, 203, 204, D16/208, 209, 211, 212, 216-218; 354/126, 127.11, 149.11, 187, 202, 288**

[56] **References Cited**

U.S. PATENT DOCUMENTS

D. 257,983	1/1981	Maitani	D16/209
D. 306,453	3/1990	Tanaka et al.	D16/209
D. 314,002	1/1991	Yoshida	D16/209
4,556,304	12/1985	Fukuda	354/288
4,801,960	1/1989	Hansen	354/288

Primary Examiner—Bernard Ansher

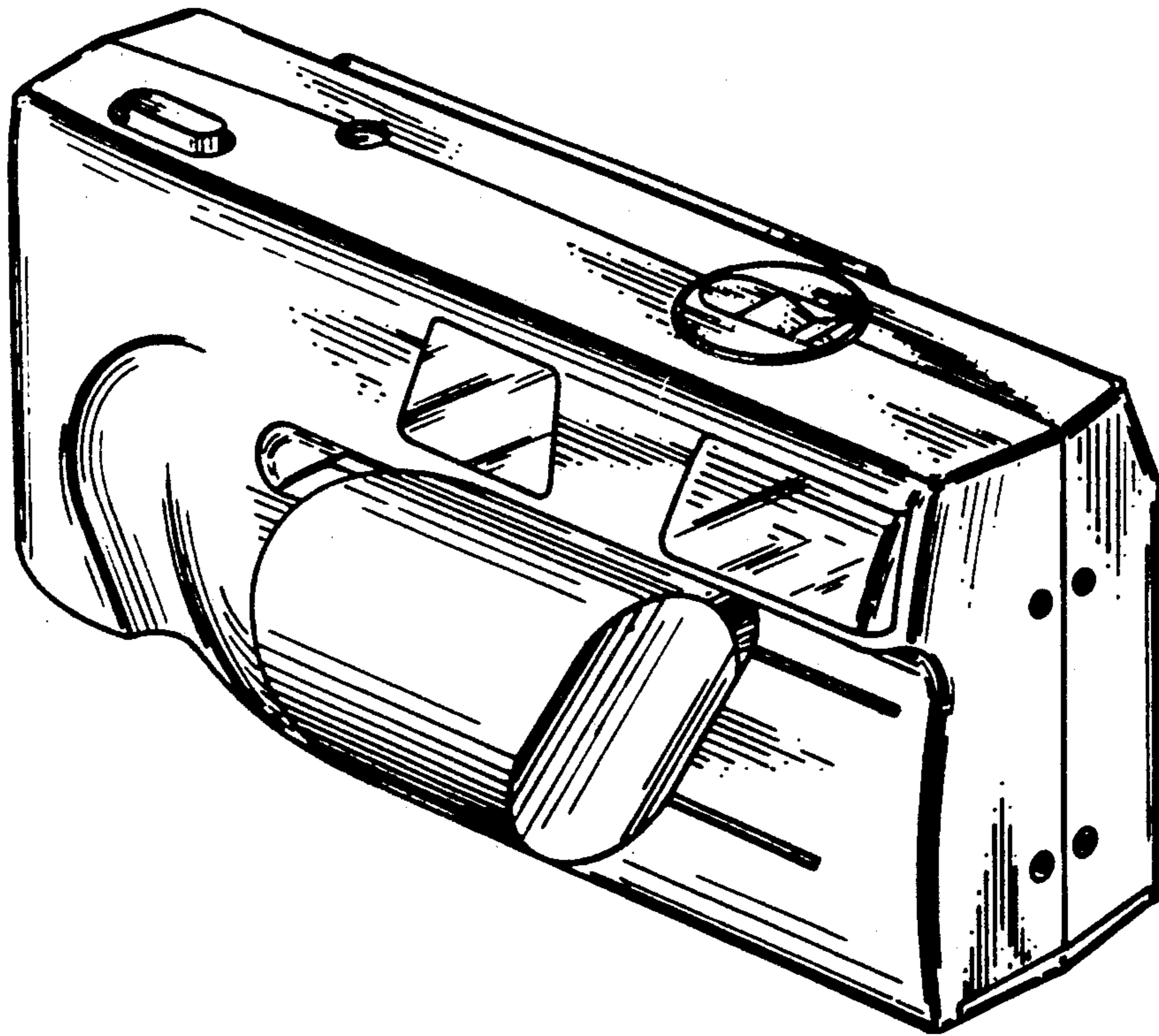
Assistant Examiner—Adir Aronovich
Attorney, Agent, or Firm—Roger A. Fields

[57] **CLAIM**

The ornamental design for a camera with a sliding lens cover, as shown and described.

DESCRIPTION

FIG. 1 is a front elevation view of a camera with a sliding lens cover, with the lens cover in an open position, showing my new design;
 FIG. 2 is a rear elevation view thereof;
 FIG. 3 is a top plan view thereof, with the lens cover in an open position;
 FIG. 4 is a bottom plan view thereof, with the lens cover in an open position;
 FIG. 5 is a left-side elevation view thereof;
 FIG. 6 is a right-side elevation view thereof;
 FIG. 7 is a front elevation view thereof, with the lens cover in a closed position;
 FIG. 8 is a top plan view thereof, with the lens cover in a closed position;
 FIG. 9 is a bottom plan view thereof, with the lens cover in a closed position; and,
 FIG. 10 is a top, front perspective view thereof, with the lens cover in a closed position.



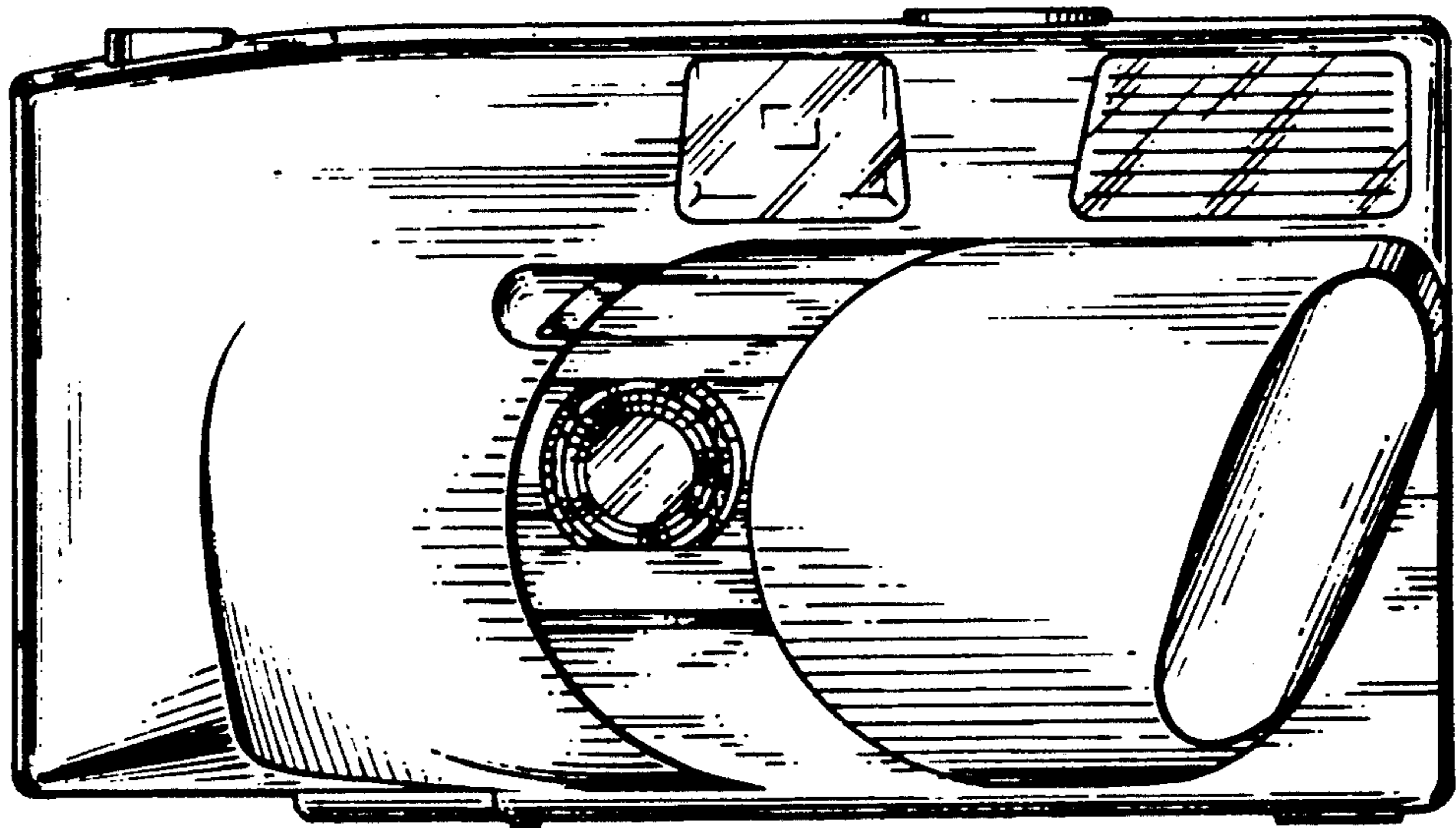


FIG. 1

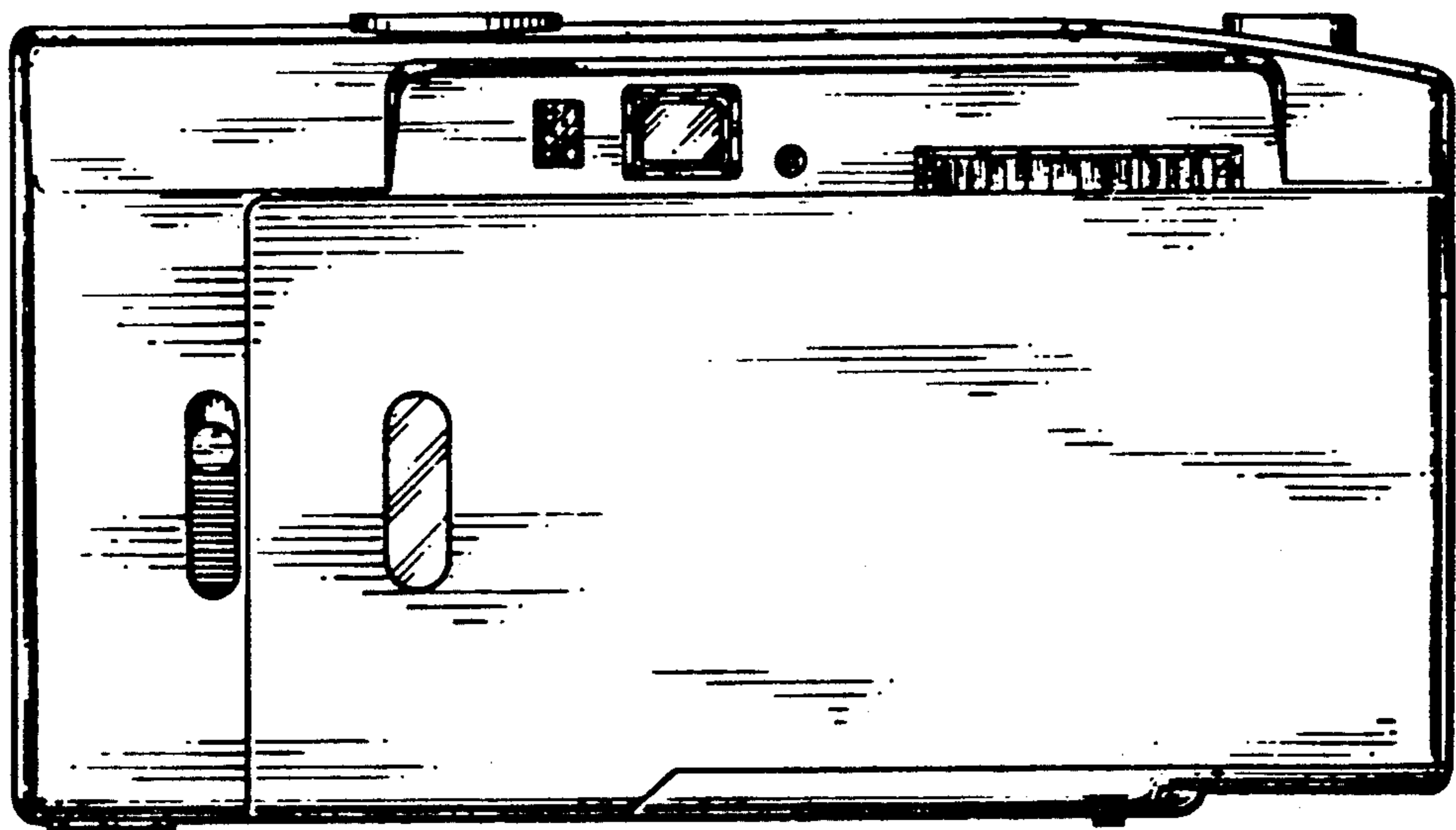


FIG. 2

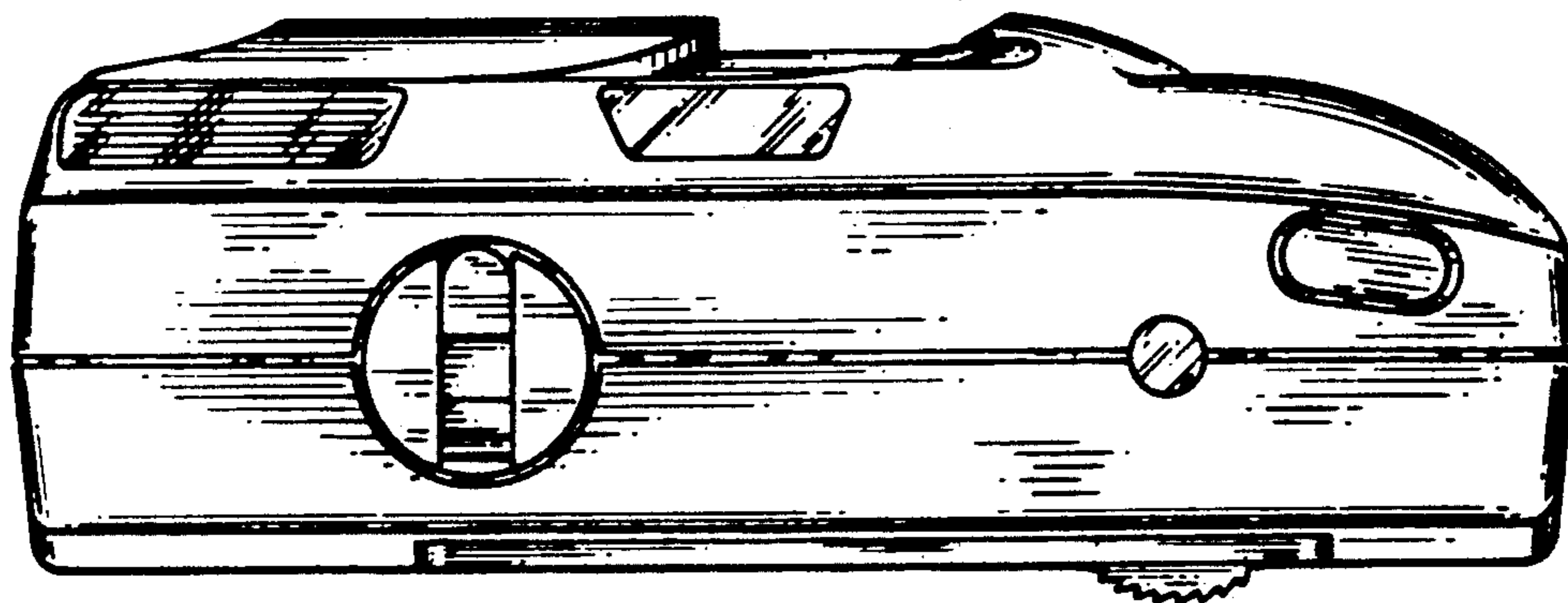


FIG. 3

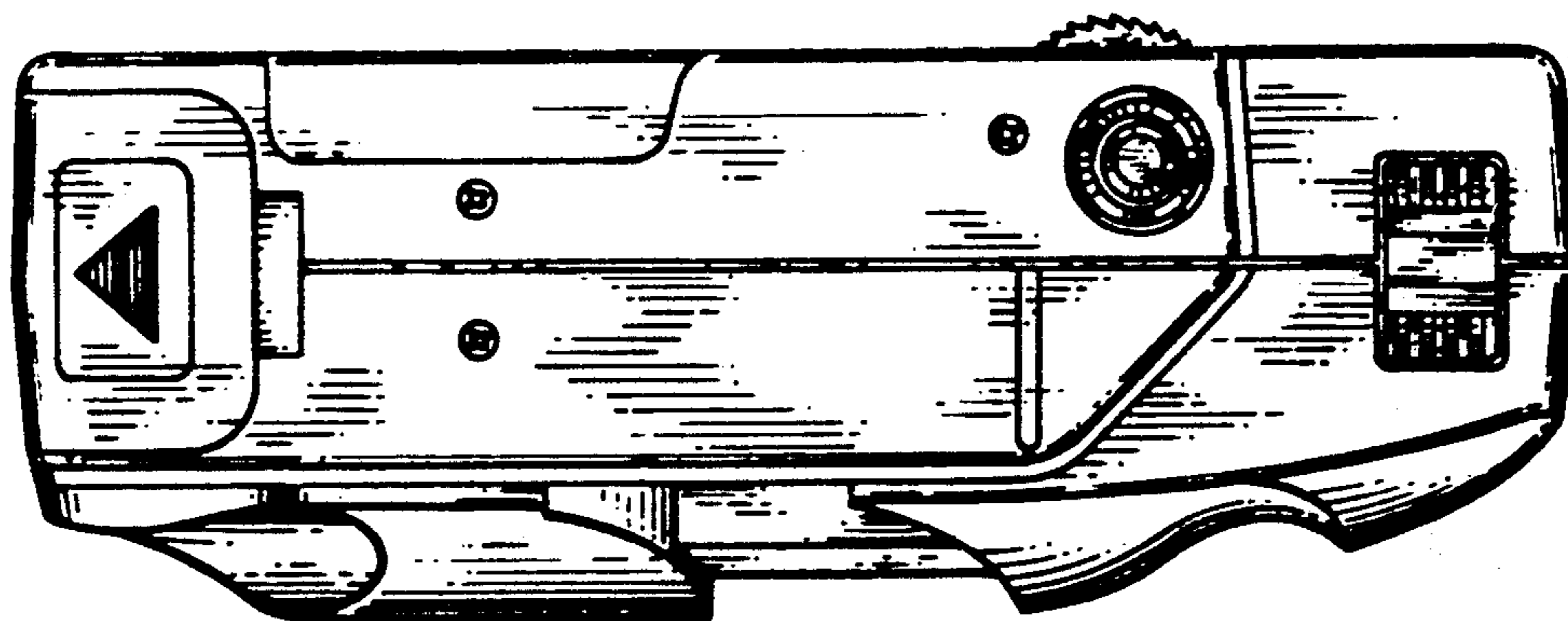


FIG. 4

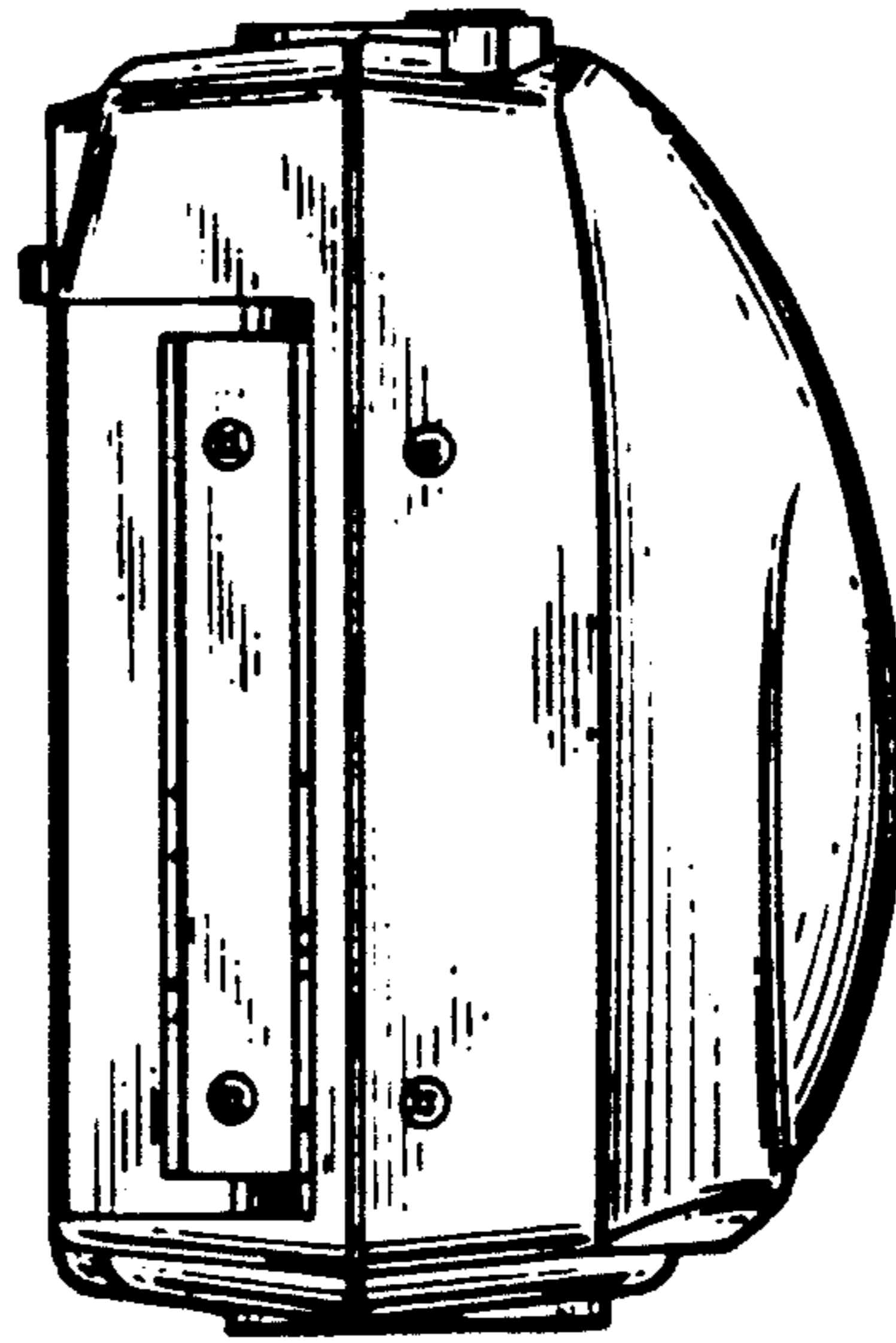


FIG. 5

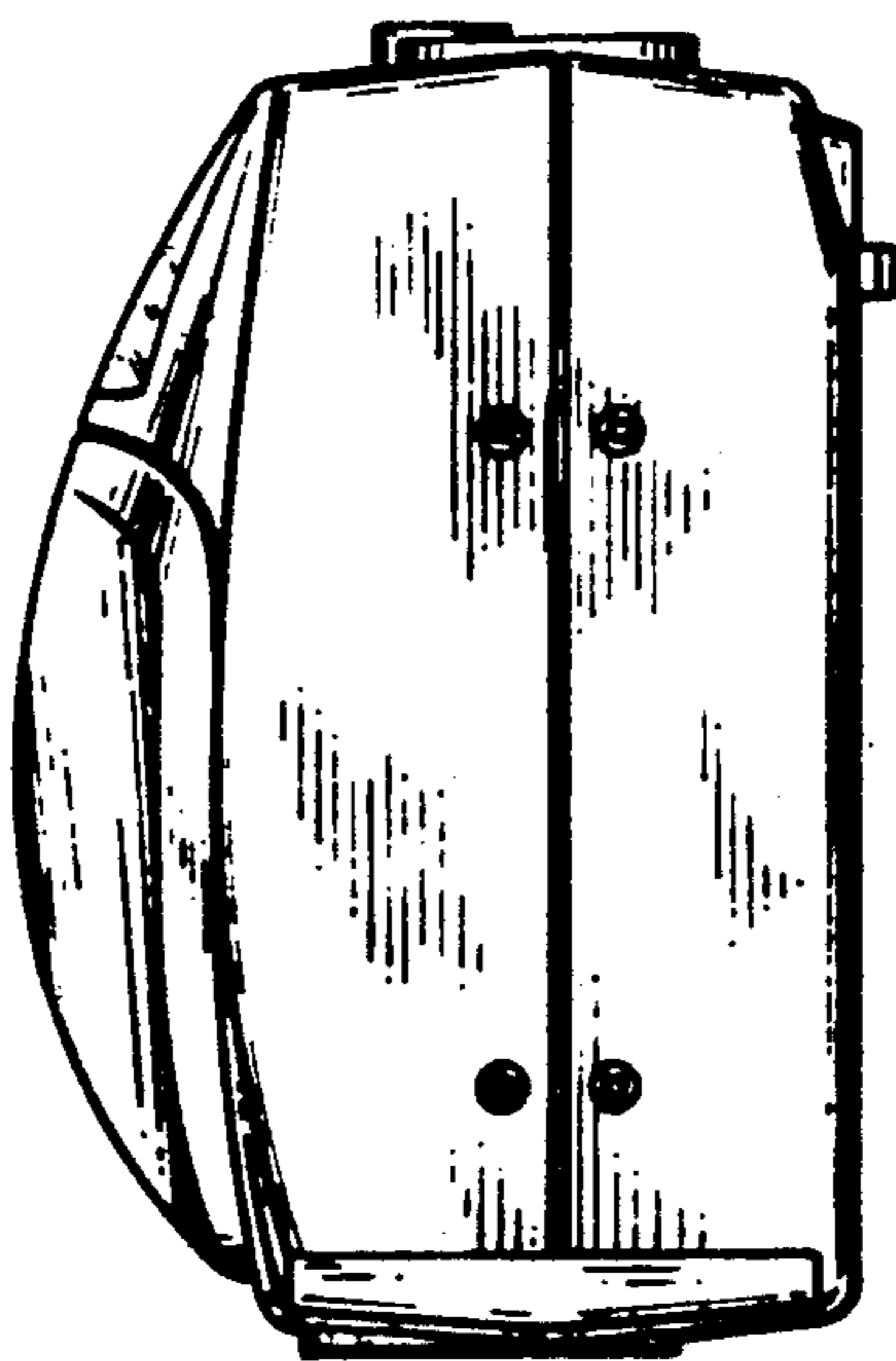


FIG. 6

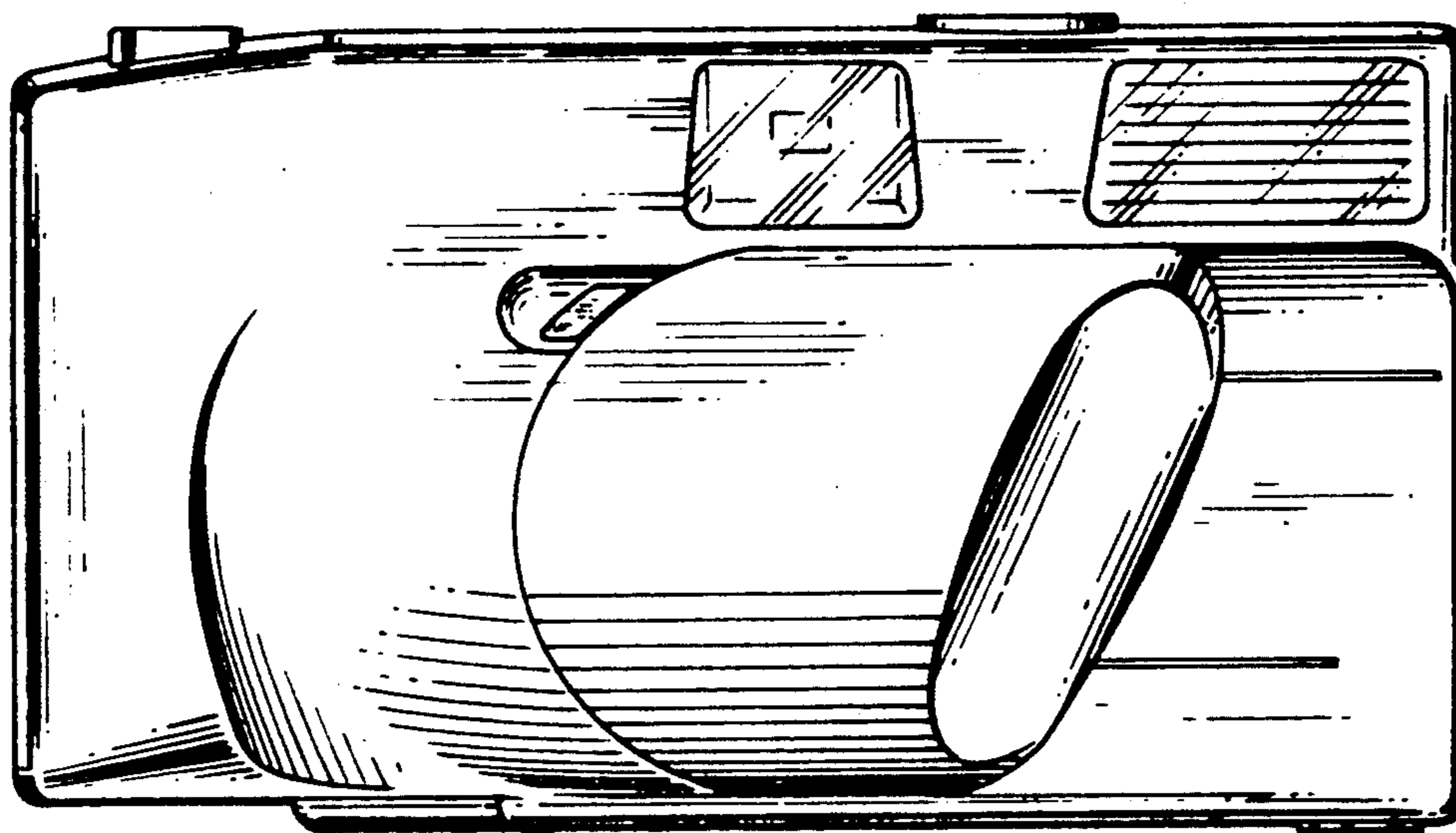


FIG. 7

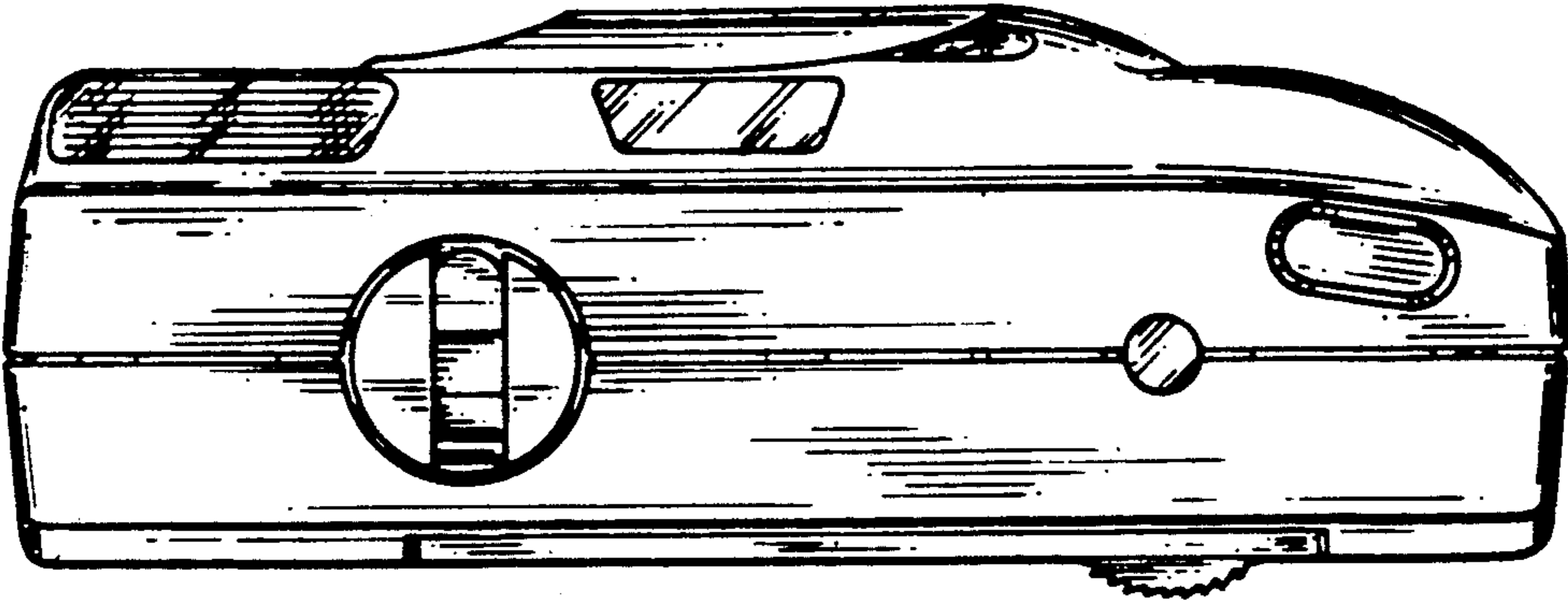


FIG. 8

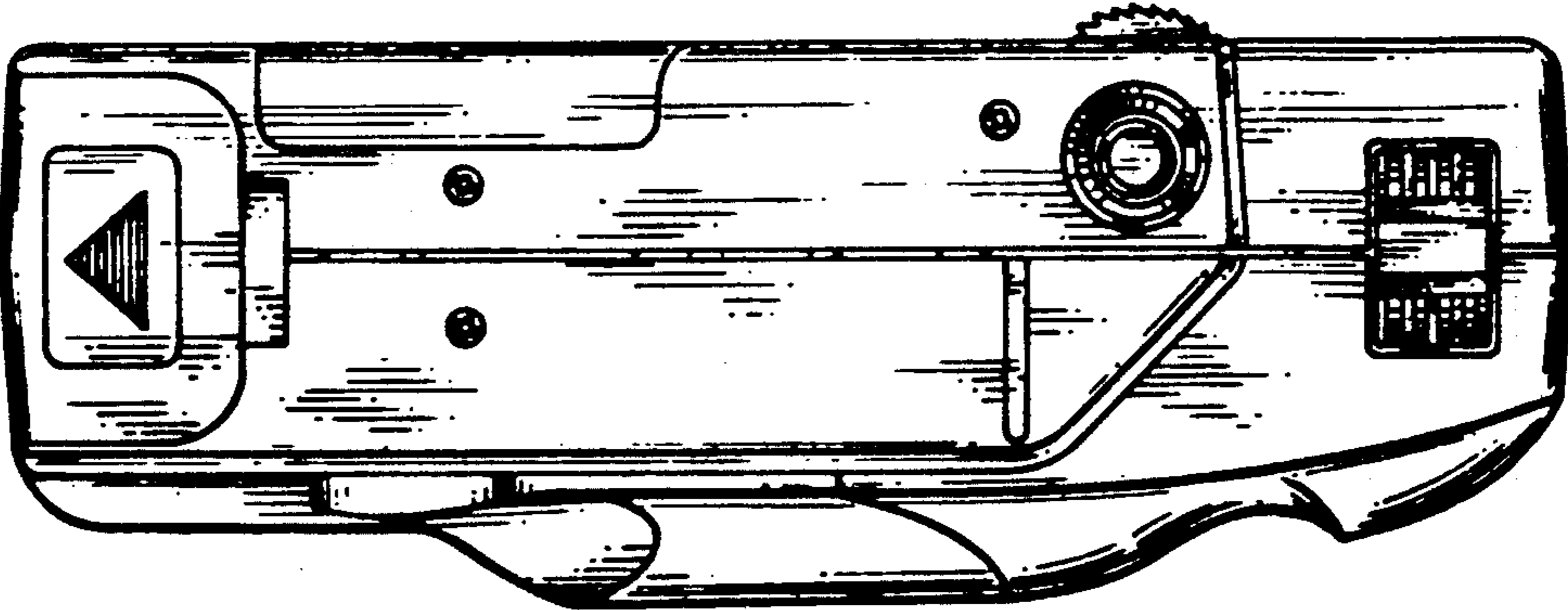


FIG. 9

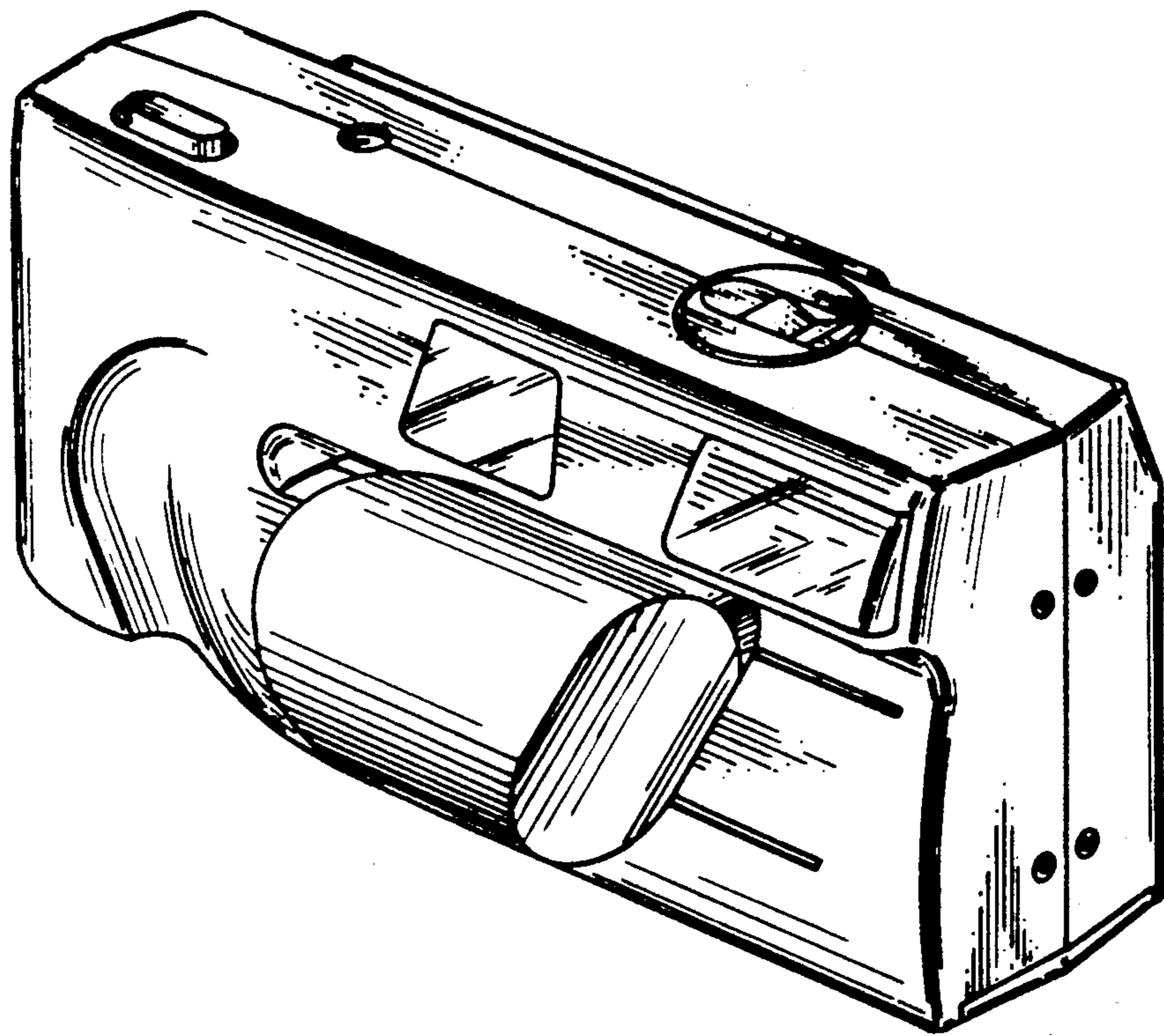


FIG. 10