



US00D325208S

# United States Patent [19]

[11] Patent Number: **Des. 325,208**

**Hosonuma**

[45] Date of Patent: **\*\* Apr. 7, 1992**

[54] **LAWN TRACTOR**

3,648,797 3/1972 Lukens et al. .... 180/89.1

[75] Inventor: **Masashi Hosonuma, Higashikurume, Japan**

### FOREIGN PATENT DOCUMENTS

0584923 of 0000 Japan .

[73] Assignee: **Honda Giken Kogyo Kabushiki Kaisha, Tokyo, Japan**

### OTHER PUBLICATIONS

[\*\*] Term: **14 Years**

"Medalists from Murray" catalog, p. 5, tractor on bottom.

[21] Appl. No.: **337,787**

Yamaha Power Equipment ad, undated.

[22] Filed: **Apr. 13, 1989**

Honda Lawn Tractor ad, undated.

[52] U.S. Cl. .... **D15/15**

Kubota T1400 ad, undated.

[58] Field of Search ..... **D15/14-16, D15/22, 23, 26; 56/13.4, 16.7, 202, 320.1, 320.2; 180/89.1, 89.2, 900**

Roper YT14 Yard Tractor ad, undated.

*Primary Examiner*—Bernard Ansher

*Assistant Examiner*—Sandra Morris

*Attorney, Agent, or Firm*—Schwartz & Weinrieb

### [56] References Cited

### [57] CLAIM

#### U.S. PATENT DOCUMENTS

The ornamental design for a lawn tractor, as shown.

D. 240,155	6/1976	Burns et al. ....	D15/12
D. 248,397	7/1978	Cognata et al. ....	D15/15
D. 249,042	8/1978	Hinklin .....	D15/23
D. 285,078	8/1986	Mizushima et al. ....	D15/15
D. 292,406	10/1987	Kruse et al. ....	D15/23
D. 297,538	9/1988	Ogasawara et al. ....	D15/15
D. 305,236	12/1989	Funabashi et al. ....	D15/23
D. 310,374	9/1990	Westimayer et al. ....	D15/15
D. 311,008	10/1990	Durfee et al. ....	D15/15

### DESCRIPTION

FIG. 1 is a left side elevational view of a lawn tractor showing my new design;

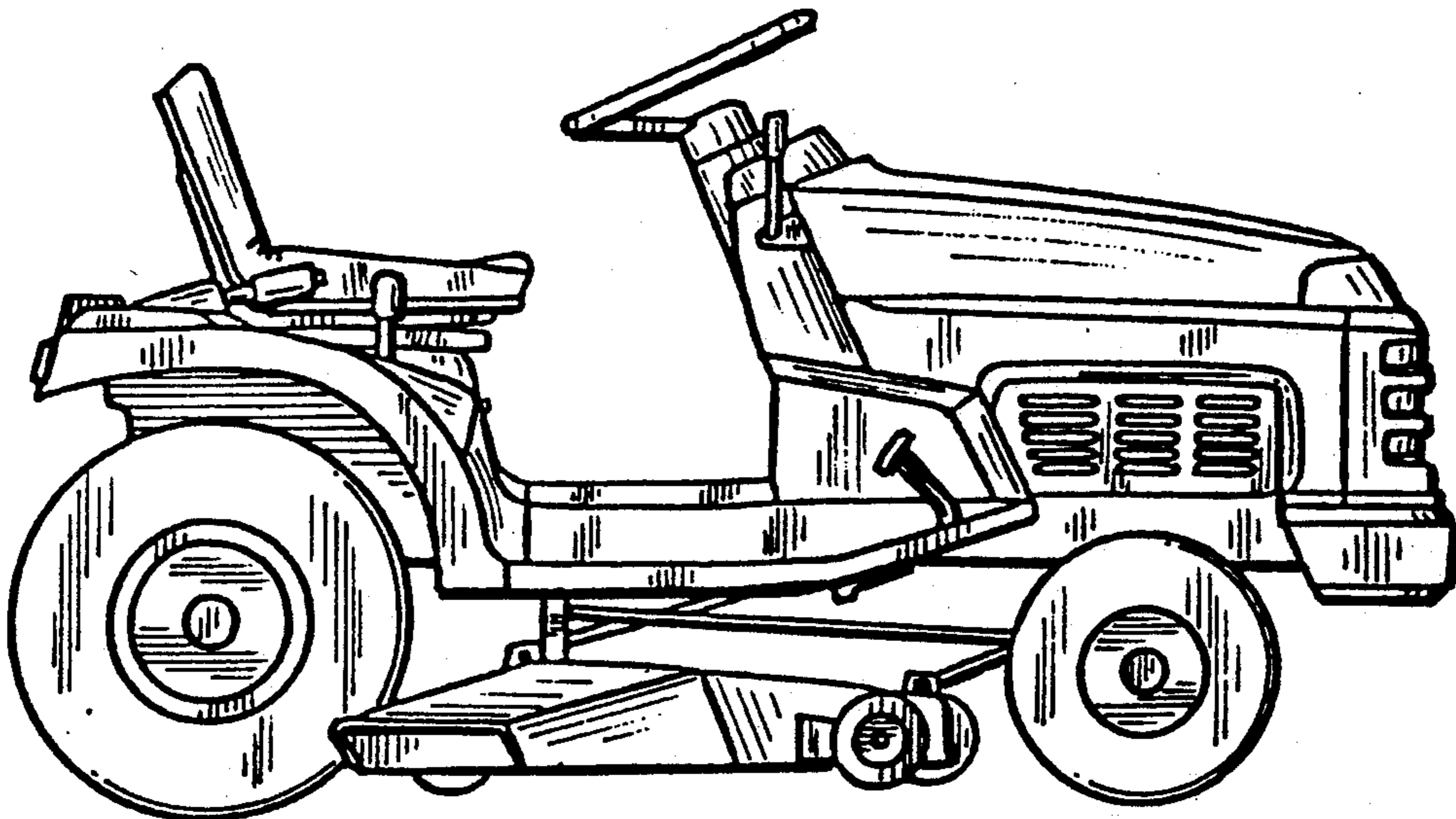
FIG. 2 is a right side elevational view thereof;

FIG. 3 is a front elevational view thereof;

FIG. 4 is a rear elevational view thereof;

FIG. 5 is a bottom plan view thereof; and,

FIG. 6 is a top plan view thereof.



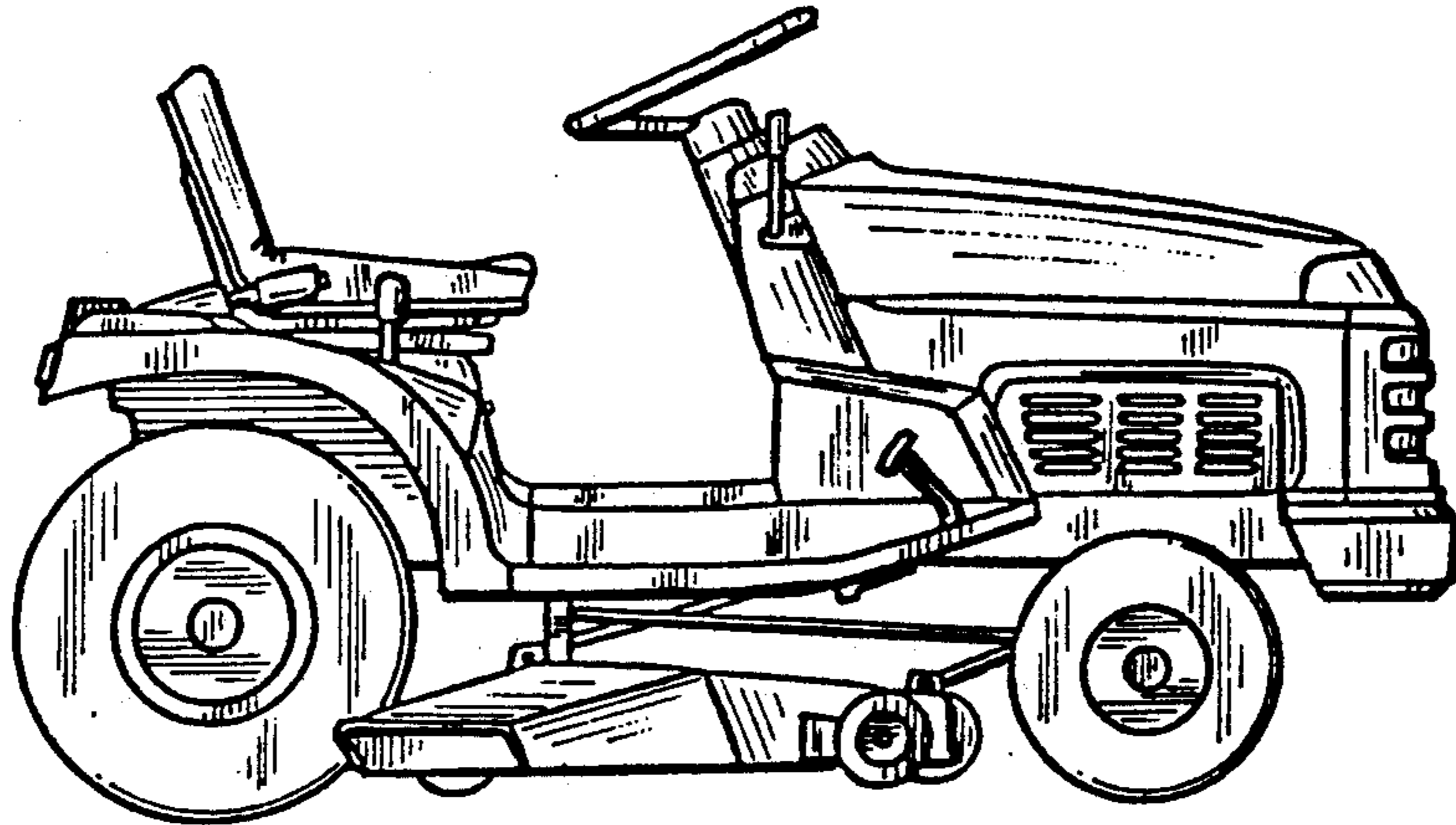


FIG. 1

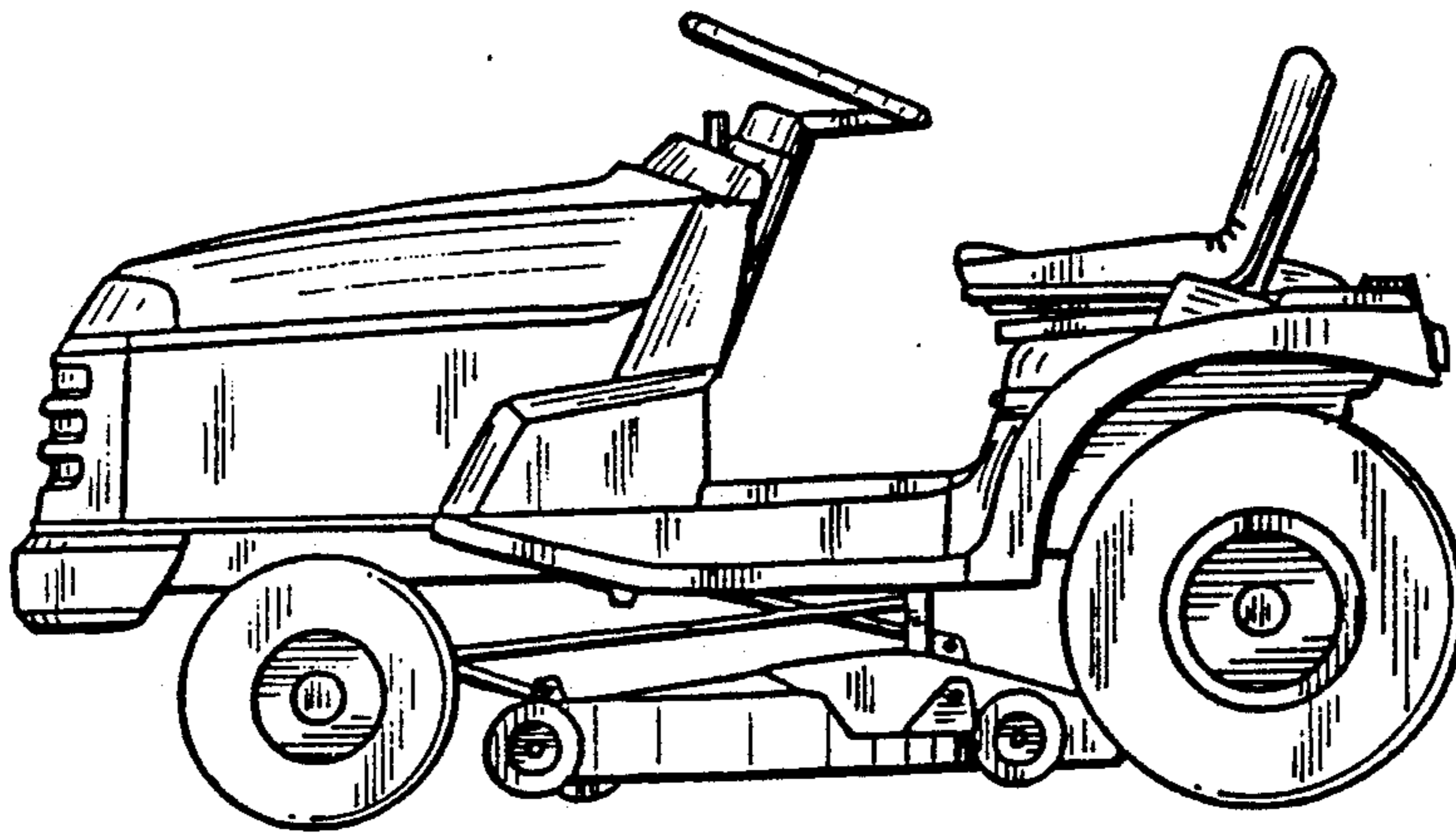


FIG. 2

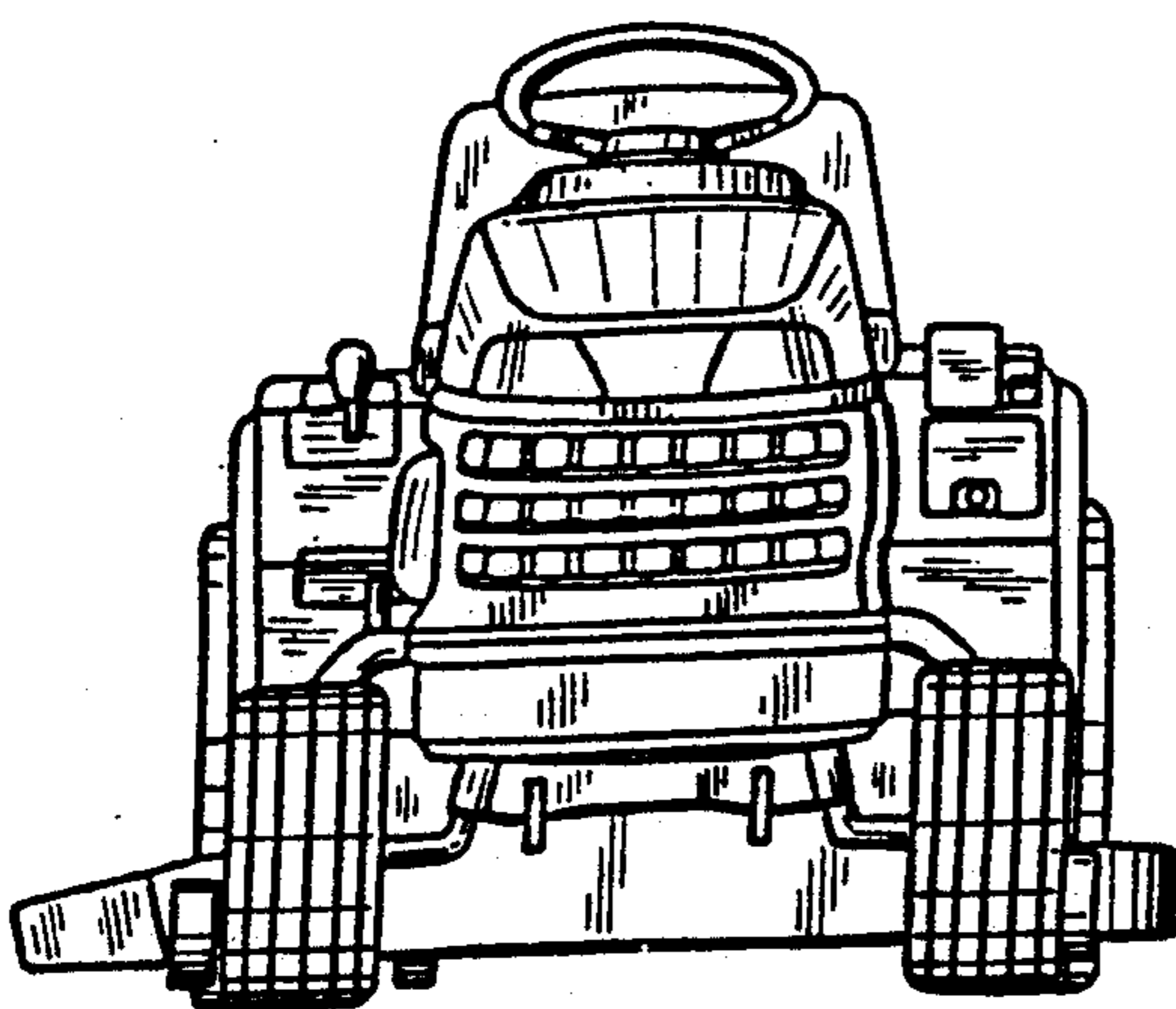


FIG. 3

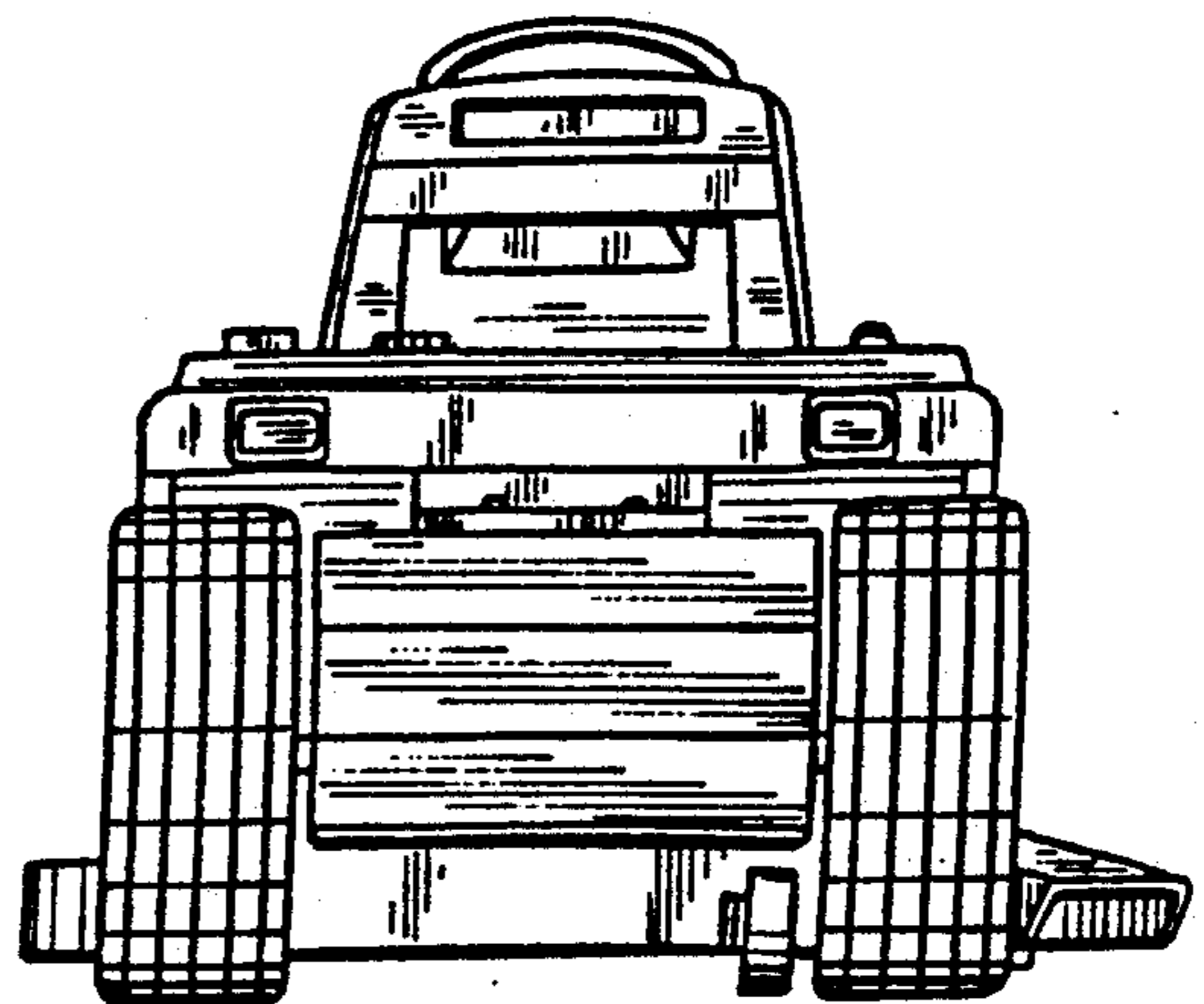


FIG. 4

FIG. 5

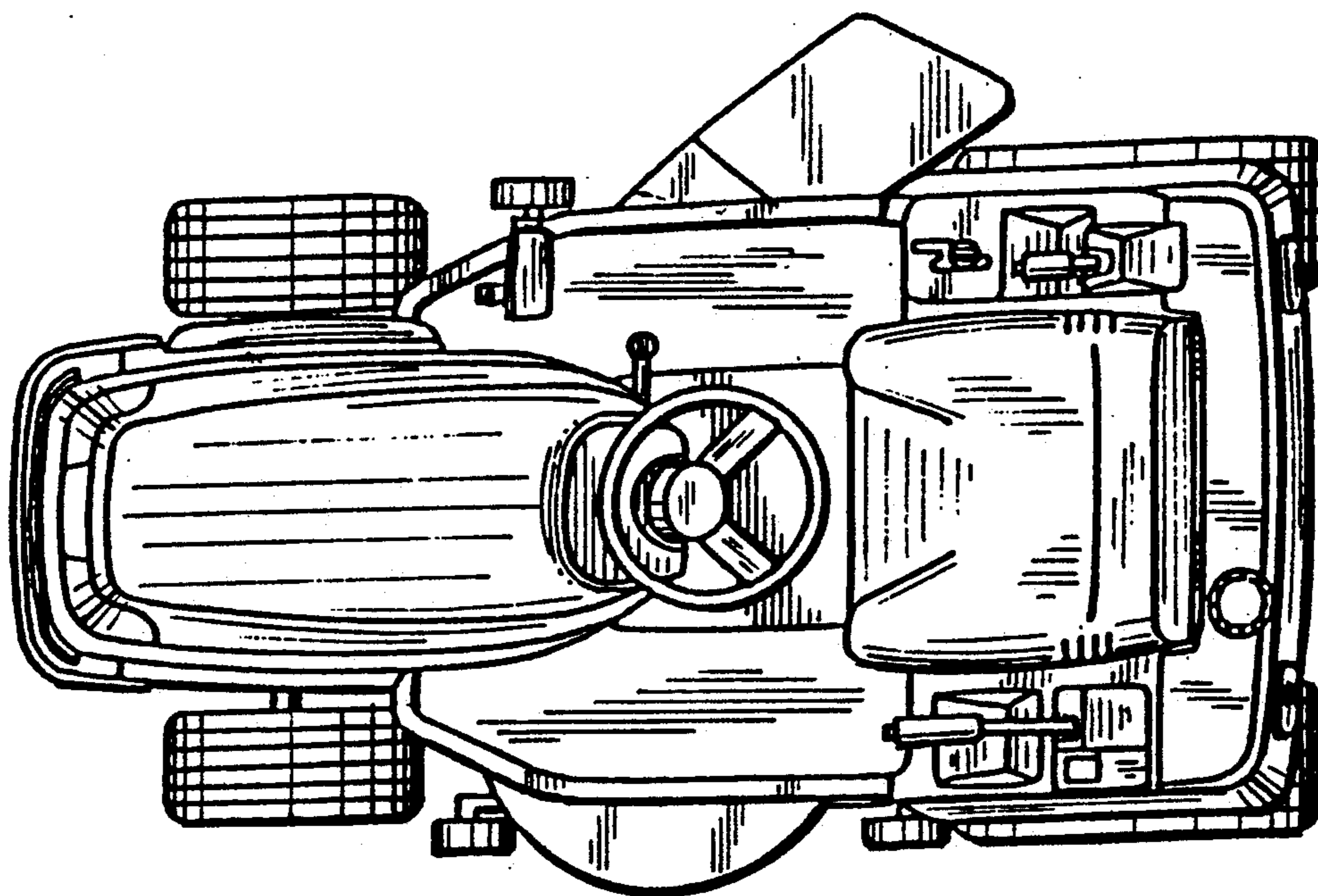
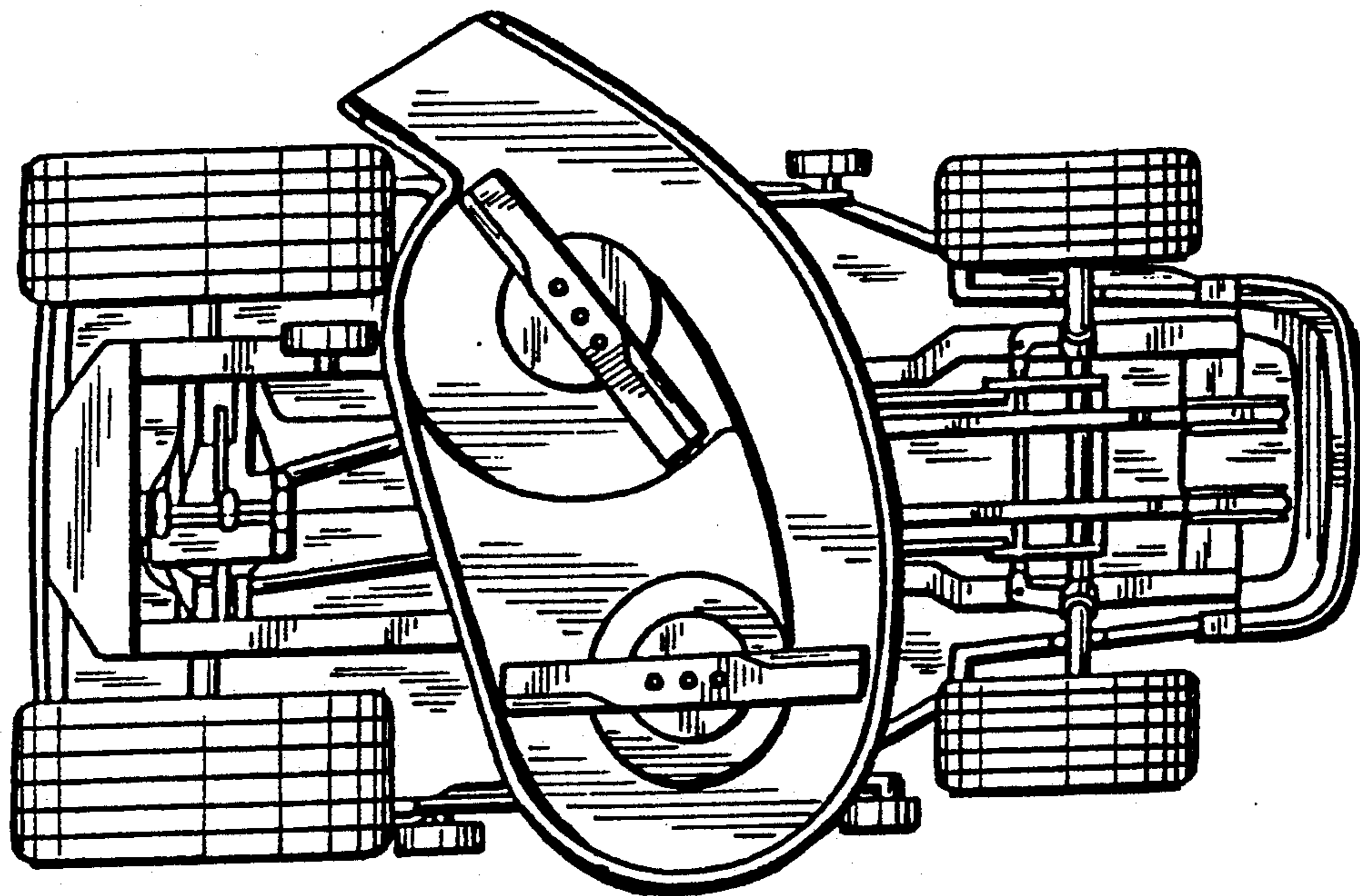


FIG. 6