



US00D325193S

United States Patent [19]

[11] Patent Number: **Des. 325,193**

Kudo

[45] Date of Patent: **** Apr. 7, 1992**

[54] FUSE

3,829,808 8/1974 Blewitt 337/227 X
4,755,785 7/1988 Bernstein 337/186

[75] Inventor: **Toshiharu Kudo**, Shizuoka, Japan

Primary Examiner—Susan J. Lucas
Assistant Examiner—M. H. Tung
Attorney, Agent, or Firm—Armstrong, Nikaido,
Marmelstein, Kubovcik & Murray

[73] Assignee: **Yazaki Corporation**, Tokyo, Japan

[**] Term: **14 Years**

[21] Appl. No.: **355,243**

[57] CLAIM

[22] Filed: **May 19, 1989**

The ornamental design for a fuse, as shown and described.

[30] Foreign Application Priority Data

Nov. 30, 1988 [JP] Japan 63-46472
[52] U.S. Cl. **D13/161**
[58] Field of Search D13/158, 160-161;
337/186, 227-228, 231, 234, 241; 174/48;
361/430

DESCRIPTION

FIG. 1 is a top plan view of a fuse showing my new design;
FIG. 2 is a front elevational view thereof, the rear view being identical;
FIG. 3 is a bottom plan view thereof;
FIG. 4 is a right side elevational view thereof, the left side being identical;
FIG. 5 is a cross sectional view taken on line 5—5 in FIG. 4; and,
FIG. 6 is a cross sectional view taken on line 6—6 in FIG. 2.

[56] References Cited

U.S. PATENT DOCUMENTS

D. 205,508 8/1966 Kozacka D13/161
2,059,467 11/1936 Lowenstein 337/234 X
2,796,494 6/1957 Barnes D13/161 X

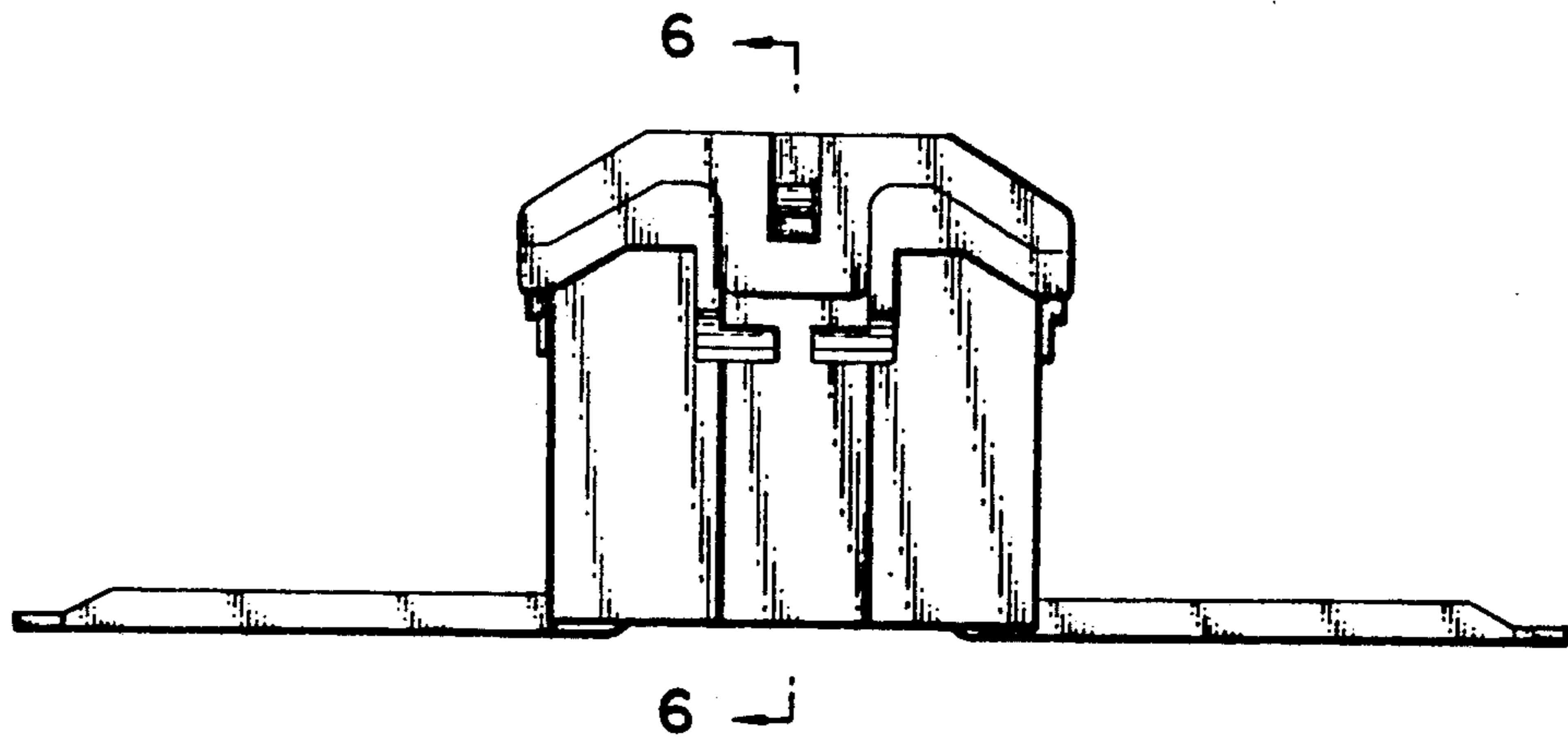
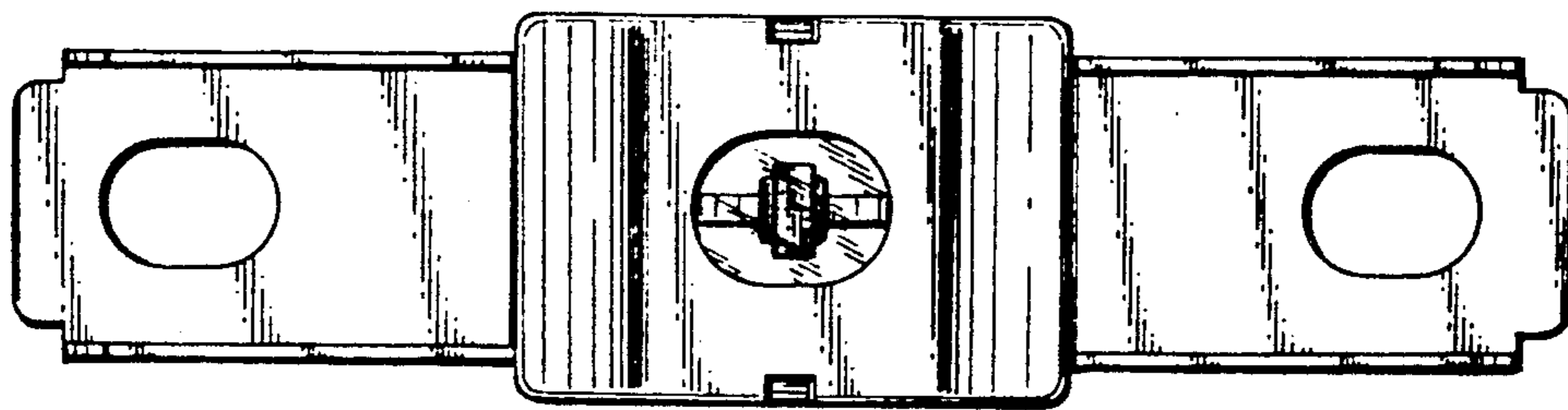


FIG. 1

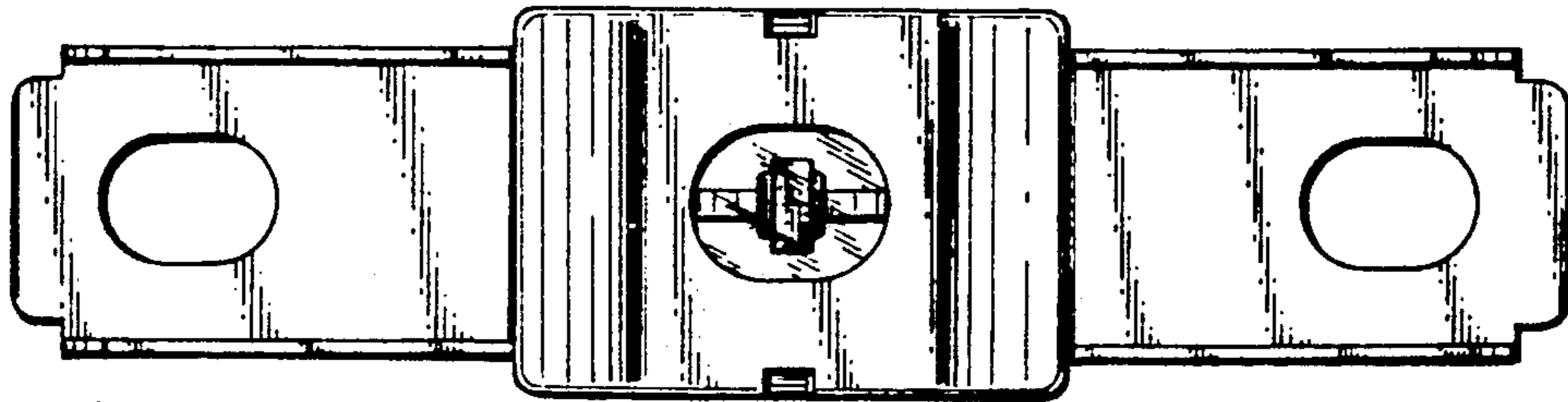


FIG. 2

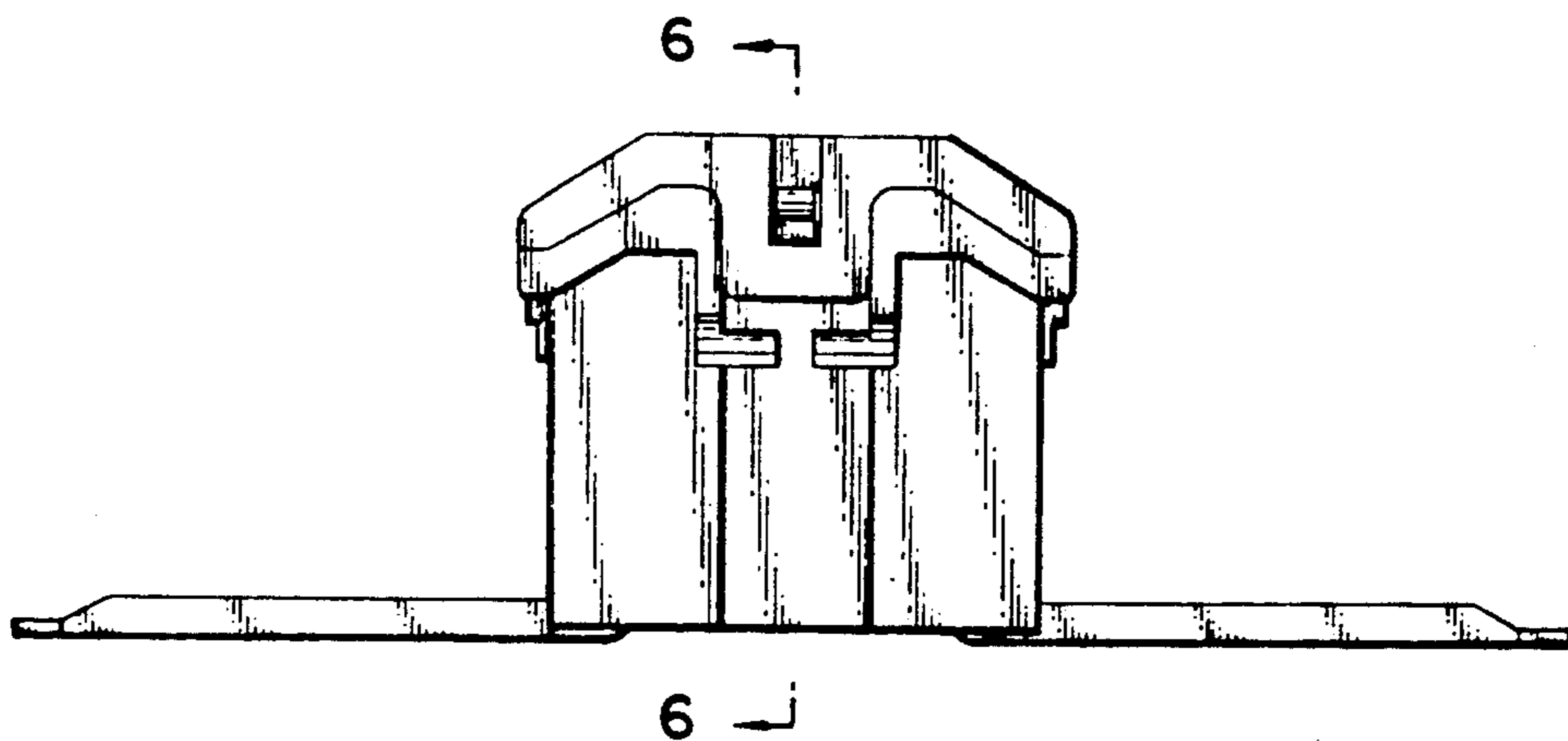


FIG. 3

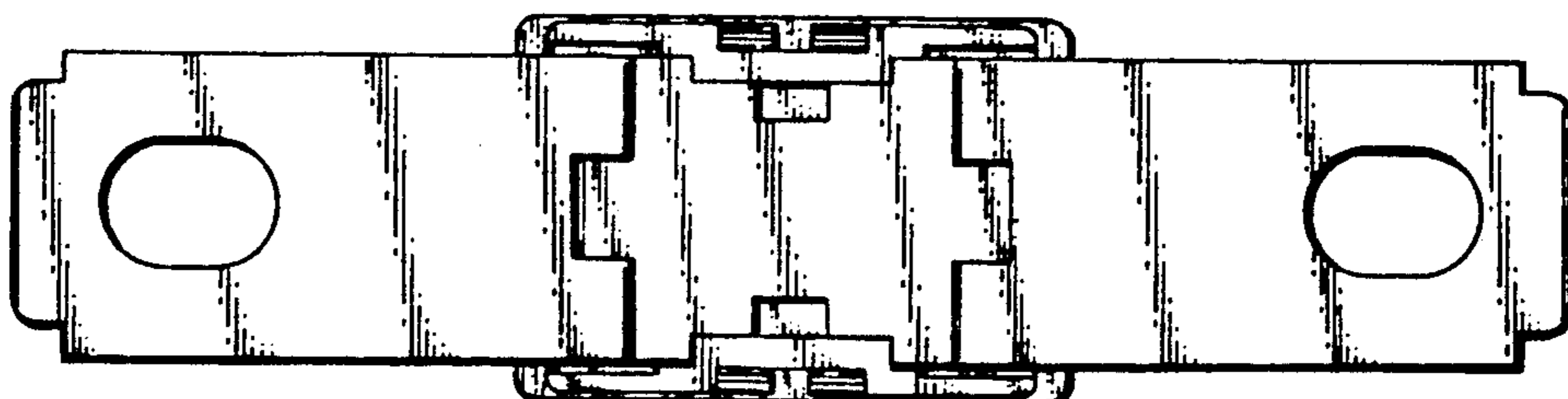


FIG. 4

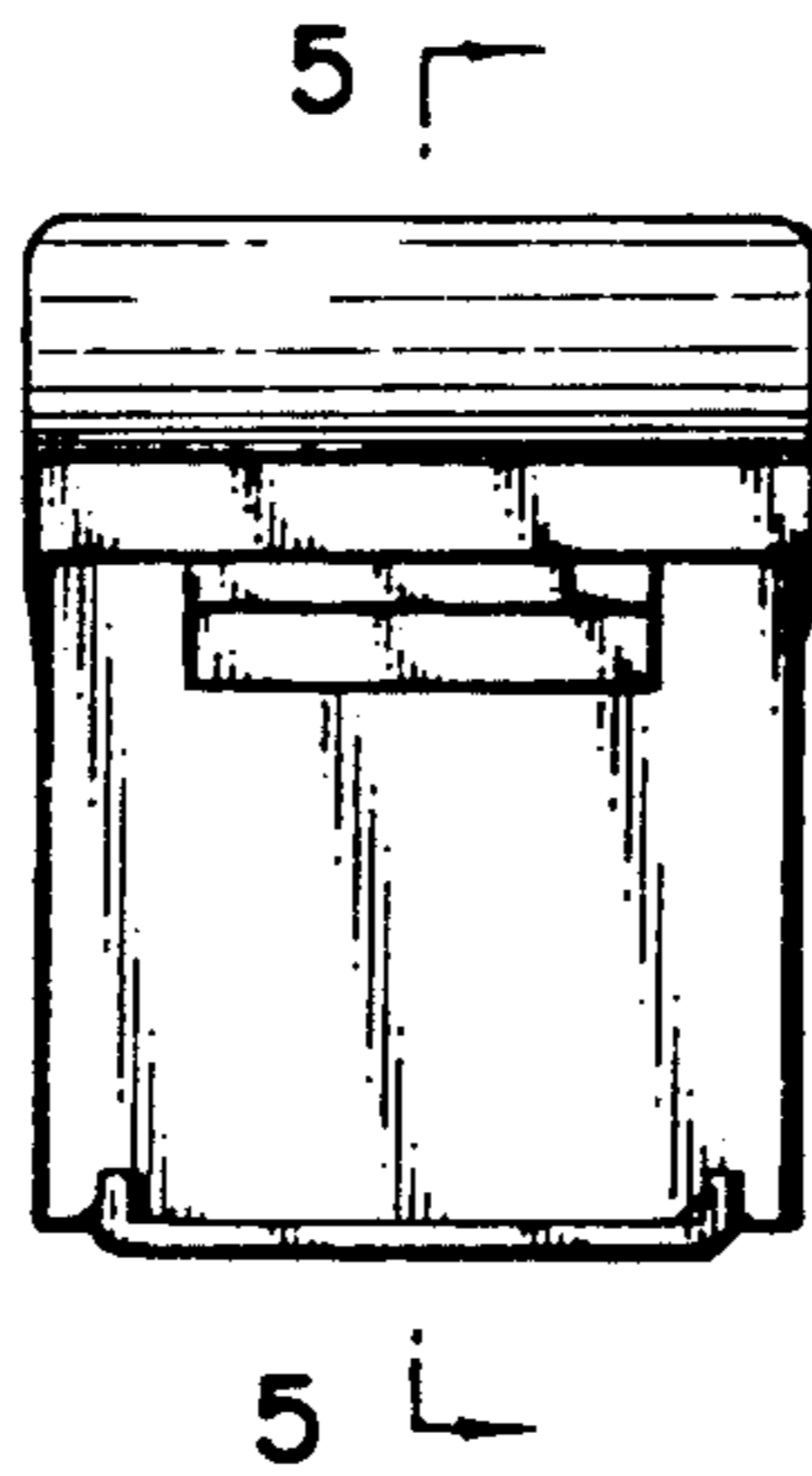


FIG. 5

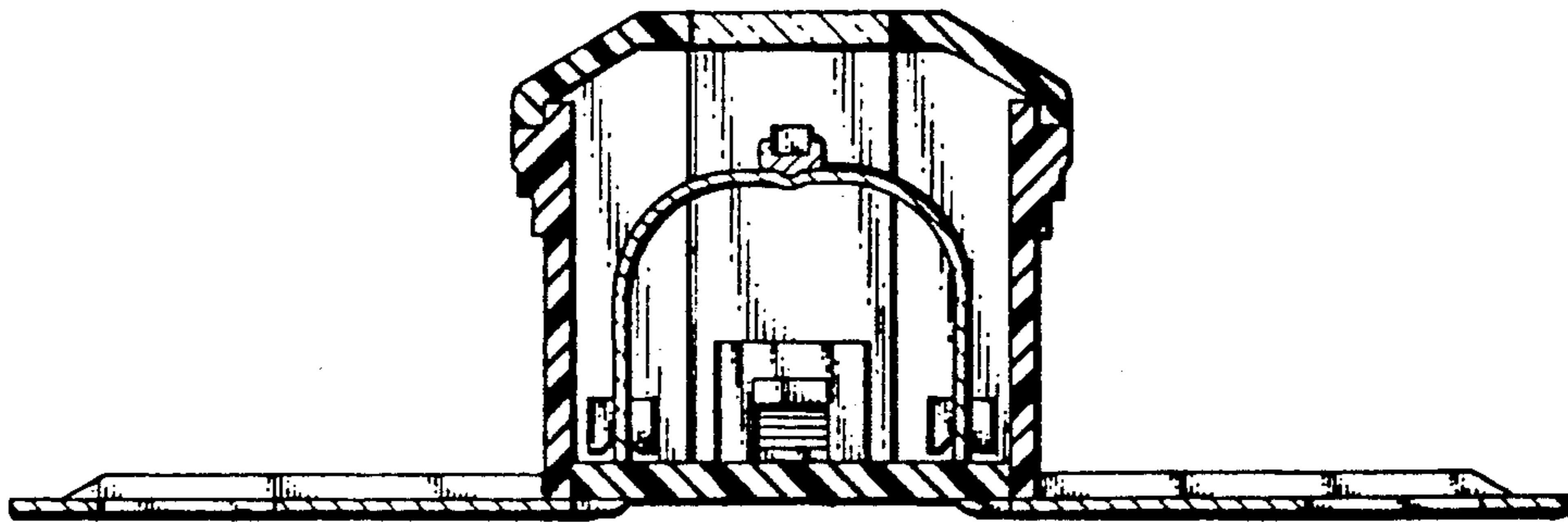


FIG. 6

