



US00D325192S

United States Patent [19]

[11] Patent Number: **Des. 325,192**

Dubicki

[45] Date of Patent: **** Apr. 7, 1992**

[54] **NON-FUSED DISCONNECT FOR ACCESSING A WIRING BOX SAFELY**

FOREIGN PATENT DOCUMENTS

0943875 12/1963 United Kingdom 174/59

[75] Inventor: **Chester Dubicki, Chicago, Ill.**

OTHER PUBLICATIONS

Terminal block on p. 6 of *Curtis Catalog* 667, 1966.

[73] Assignee: **Cooper Industries, Inc., Houston, Tex.**

Primary Examiner—Susan J. Lucas

Assistant Examiner—J. Sincavage

[**] Term: **14 Years**

Attorney, Agent, or Firm—Nelson A. Blish; Alan R. Thiele; Eddie E. Scott

[21] Appl. No.: **471,992**

[57] CLAIM

The ornamental design for a non-fused disconnect for accessing a wiring box safely, as shown.

[22] Filed: **Jan. 29, 1990**

[52] U.S. Cl. **D13/160; D13/158**

[58] Field of Search **D13/158, 160; 200/48 R, 200/48 KB, 50 A, 252, 254; 335/132; 174/52.1, 59; 361/118**

DESCRIPTION

FIG. 1 is a top, front perspective view of a non-fused disconnect for accessing a wire box safely showing my new design;

FIG. 2 is a top plan view thereof;

FIG. 3 is a front elevational view thereof;

FIG. 4 is a left side elevational view thereof;

FIG. 5 is a right side elevational view thereof;

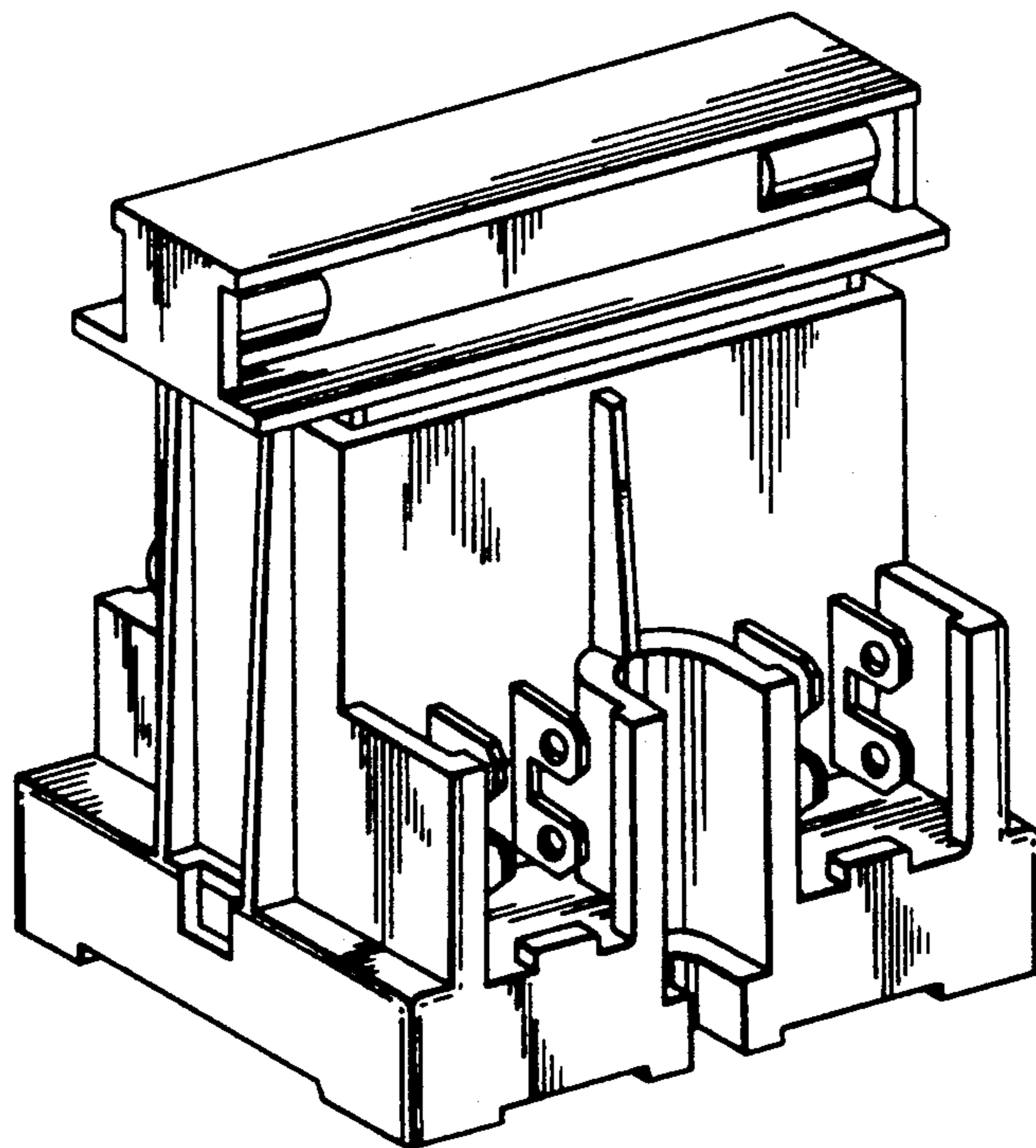
FIG. 6 is a rear elevational view thereof; and,

FIG. 7 is a bottom plan view thereof.

[56] References Cited

U.S. PATENT DOCUMENTS

2,656,425	10/1953	Satinoff	200/50 A
4,032,735	6/1977	Butterworth	335/132
4,851,956	7/1989	Borkowicz et al.	361/118
4,924,345	5/1990	Siemon et al.	D13/147 X



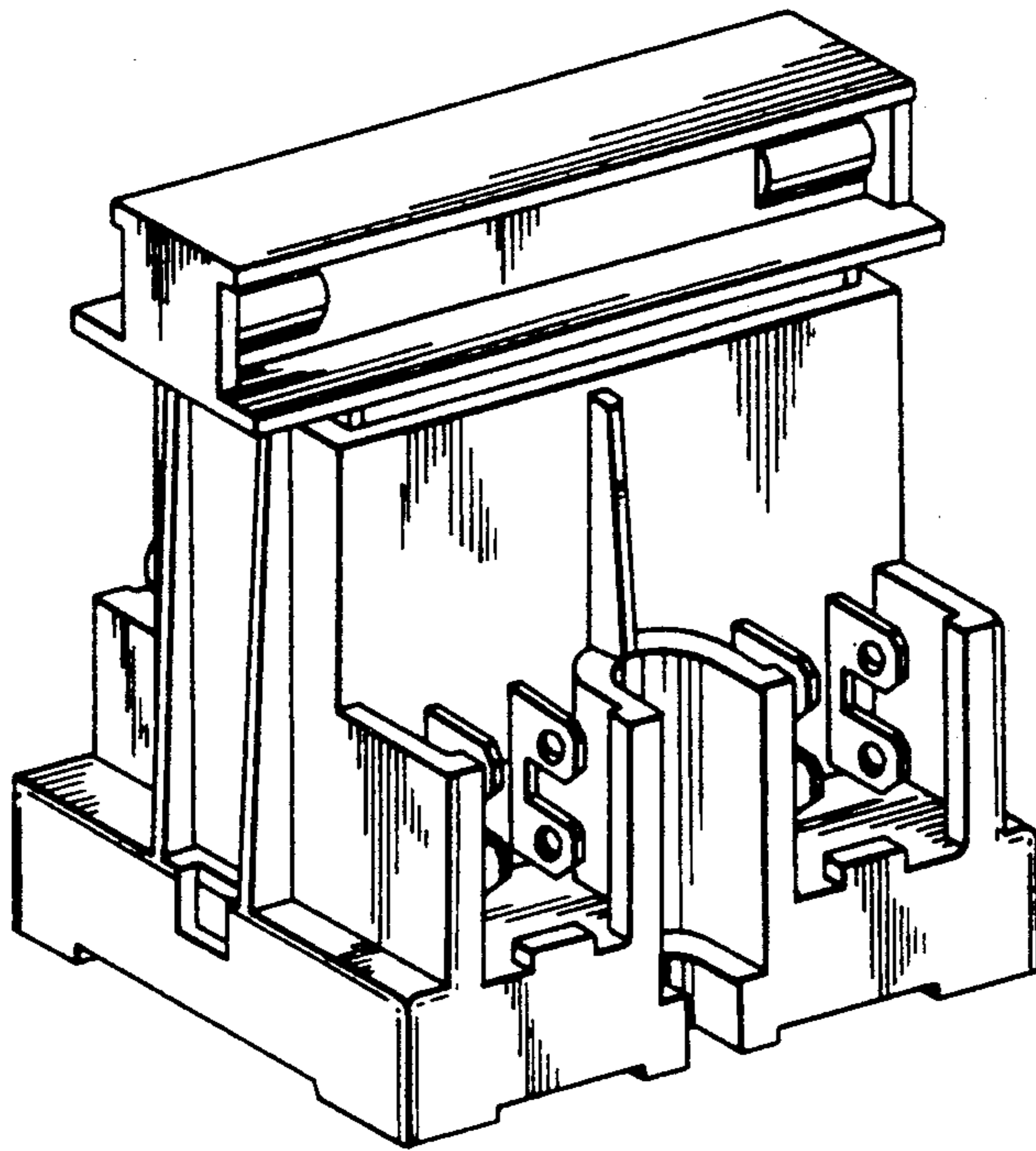


FIG. 1

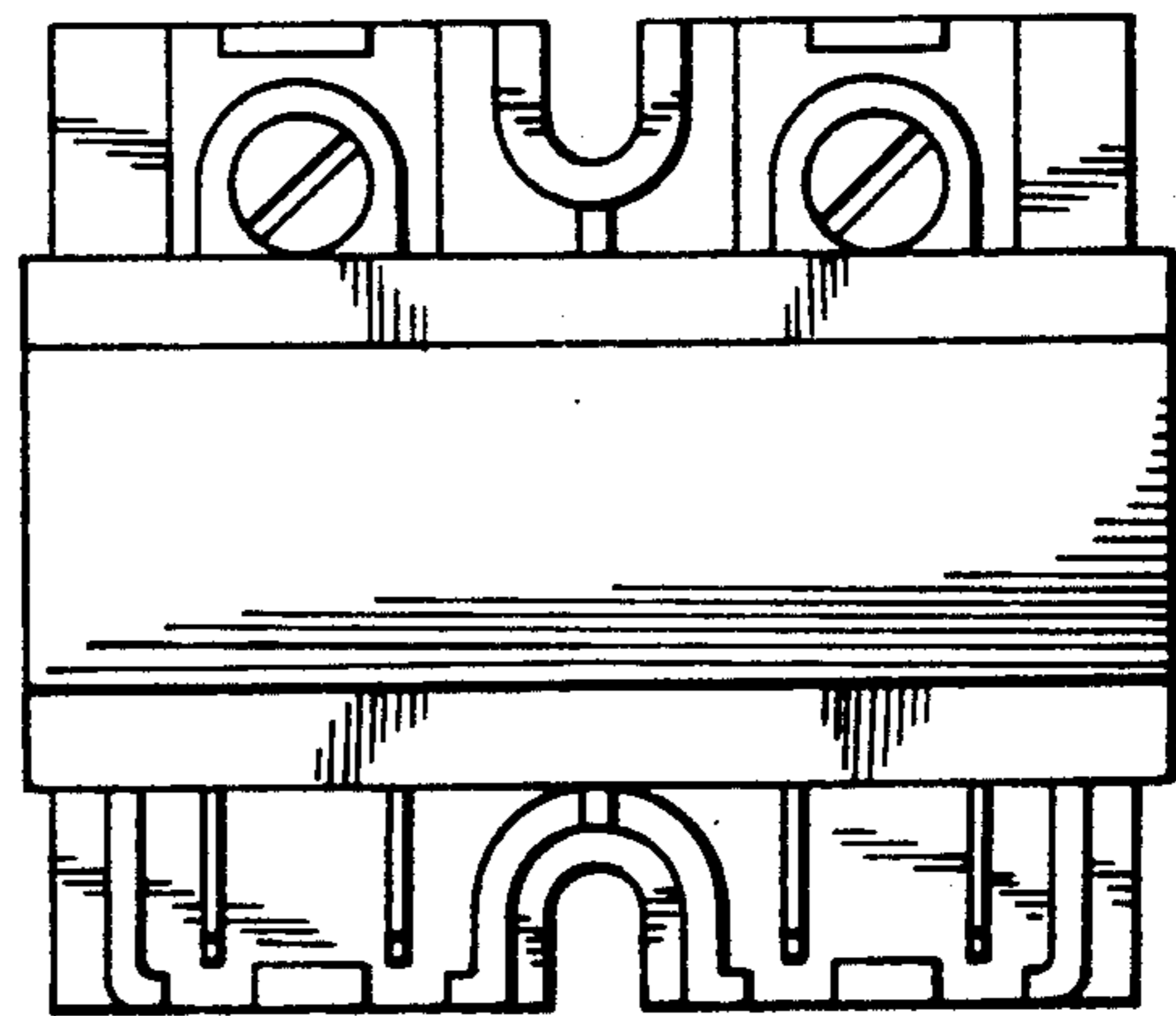


FIG. 2

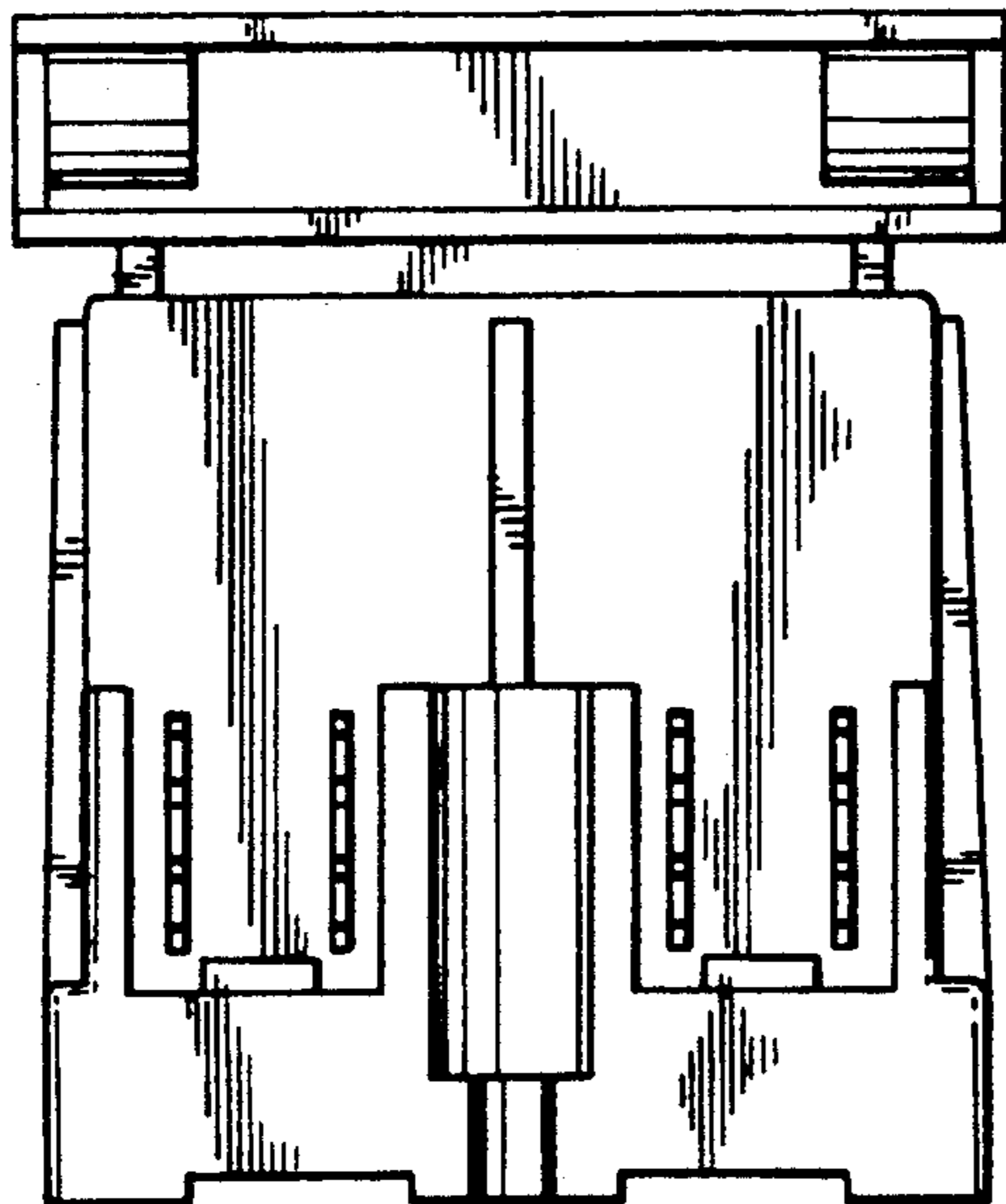


FIG. 3

FIG. 4

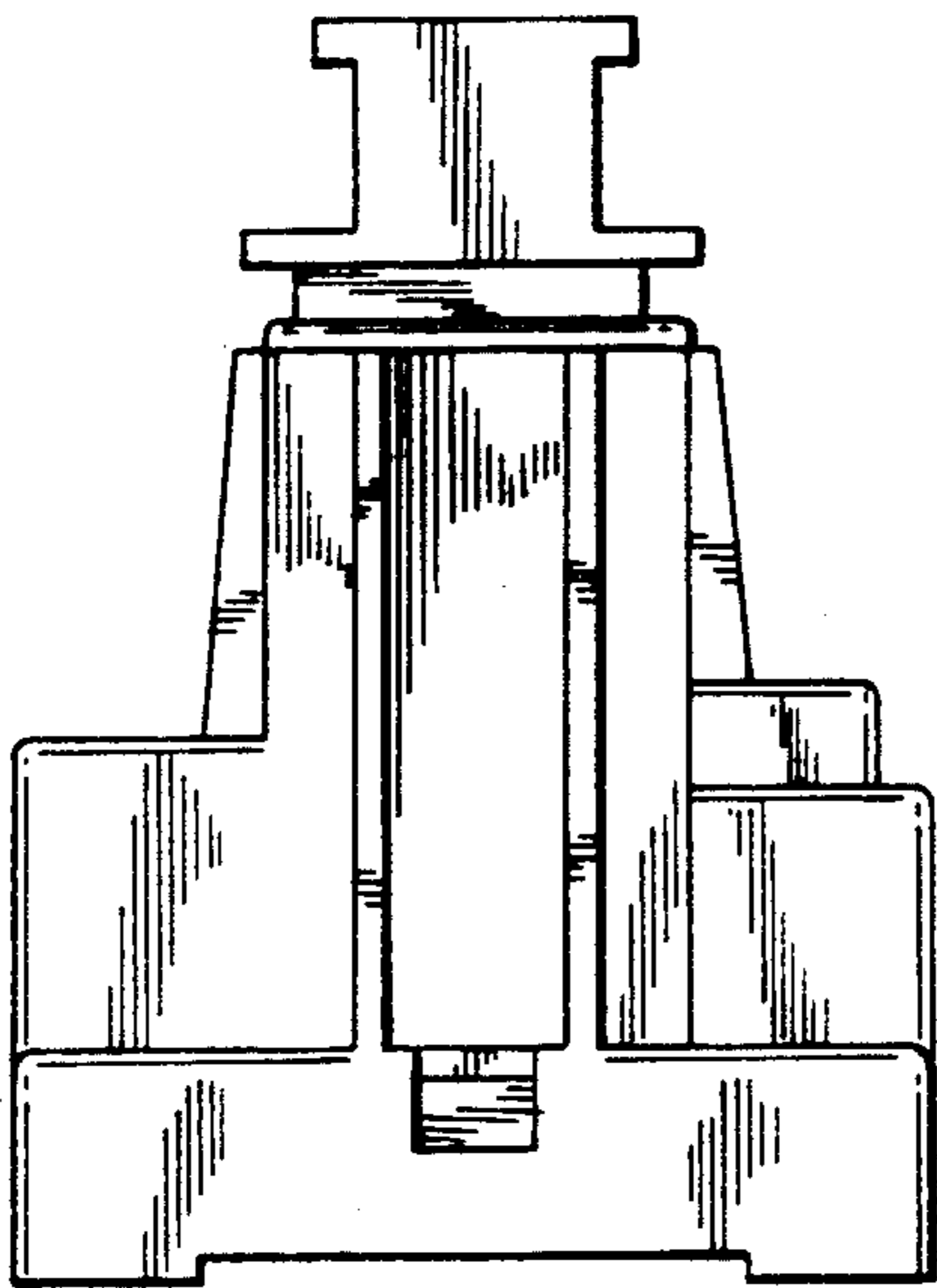


FIG. 5

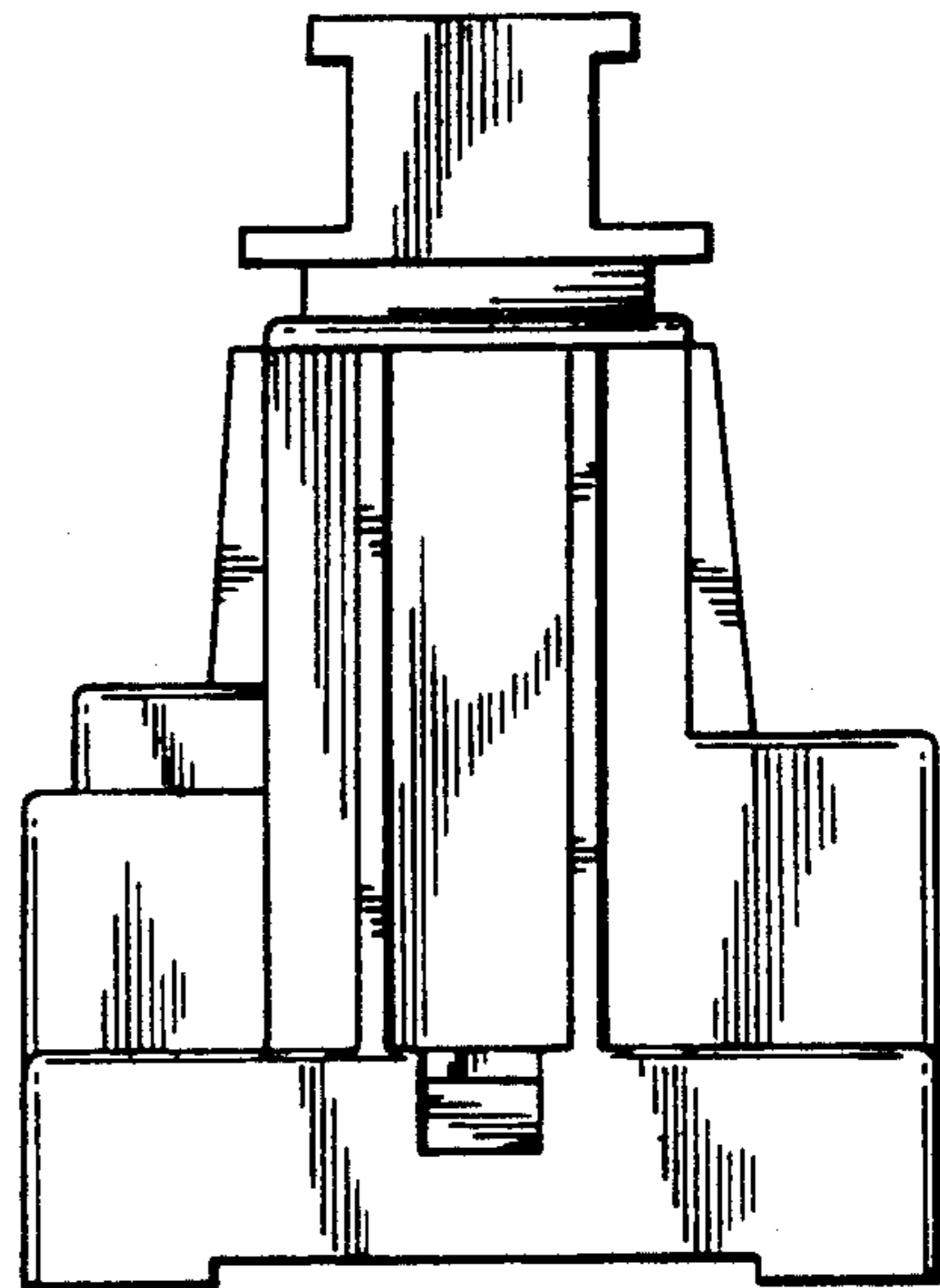


FIG. 6

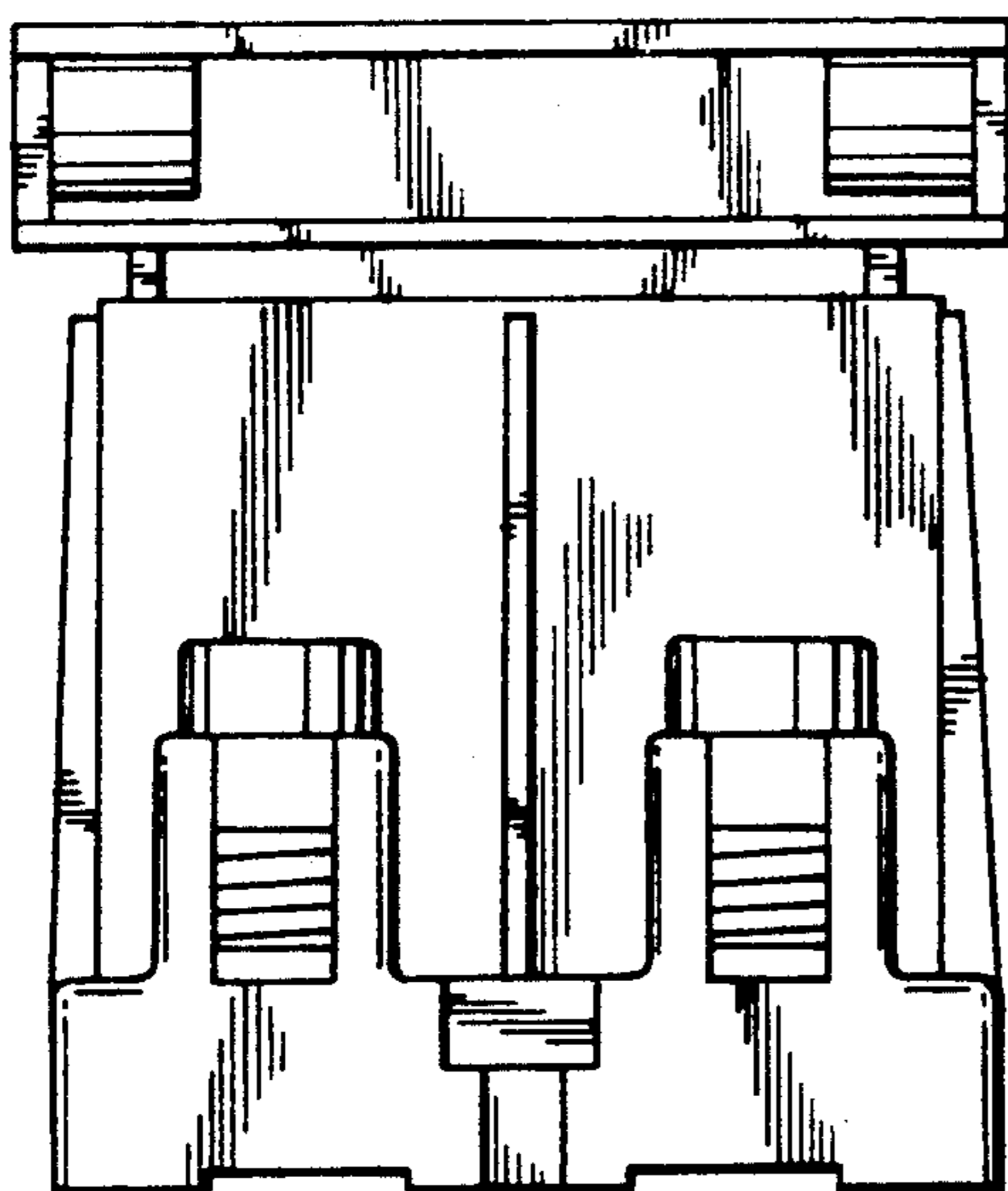


FIG. 7

