



US00D325190S

United States Patent [19]

[11] Patent Number: **Des. 325,190**

Nagasaka et al.

[45] Date of Patent: **** Apr. 7, 1992**

[54] HOUSING FOR ELECTRICAL CONNECTOR

[56]

References Cited

U.S. PATENT DOCUMENTS

[75] Inventors: **Yasuhiro Nagasaka; Yasuo Hirayama, both of Toyota; Shigekazu Wakata, Yokkaichi; Shinichi Yamada, Yokkaichi; Nobuyuki Asakawa, Yokkaichi, all of Japan**

D. 32,243	11/1990	Yamamoto	D13/147
D. 311,379	10/1990	Kuzuno et al.	D13/146
3,179,738	4/1965	De Lyon	D13/147 X
4,593,965	6/1986	Joly	439/685 X
4,655,527	4/1987	van Dame	439/350
4,842,541	6/1989	Leandris	439/282 X
4,915,649	4/1990	Shimazu et al.	D13/147 X
4,938,710	7/1990	Aihara et al.	439/345

[73] Assignee: **Sumitomo Wiring Systems, Ltd., Yokkaichi, Japan**

Primary Examiner—Susan J. Lucas
Assistant Examiner—J. Sincavage
Attorney, Agent, or Firm—Nils H. Ljungman & Associates

[*] Notice: The portion of the term of this patent subsequent to Mar. 17, 2006 has been disclaimed.

[57] CLAIM

The ornamental design for a housing for an electrical connector, as shown and described.

[**] Term: **14 Years**

DESCRIPTION

[21] Appl. No.: **340,013**

FIG. 1 is a front perspective view of a housing for an electrical connector showing our new design; FIG. 2 is a front elevational view thereof; FIG. 3 is a rear elevational view thereof; FIG. 4 is a top plan view thereof; FIG. 5 is a bottom plan view thereof; FIG. 6 is a right side elevational view thereof, the left side elevational view being a mirror image; and, FIG. 7 is a cross-sectional view thereof taken along line 7—7 of FIG. 2.

[22] Filed: **Apr. 18, 1989**

[30] Foreign Application Priority Data

Oct. 20, 1988	[JP]	Japan	63-41157
[52]	U.S. Cl.		D13/147
[58]	Field of Search	D13/133, 146, 147;	
		439/246-248, 259, 282, 296, 299, 345, 350,	
		351-353, 357, 358, 374, 529, 533, 575, 586, 587,	
		592-598, 600, 656, 668, 678, 679, 680, 682, 685,	
		686, 691, 692, 695, 701, 723, 724, 729	

The broken line showing, of the end apertures and of the projection, throughout the drawing figures is included for the purpose of illustrating environmental elements only and forms no part of the claimed design.

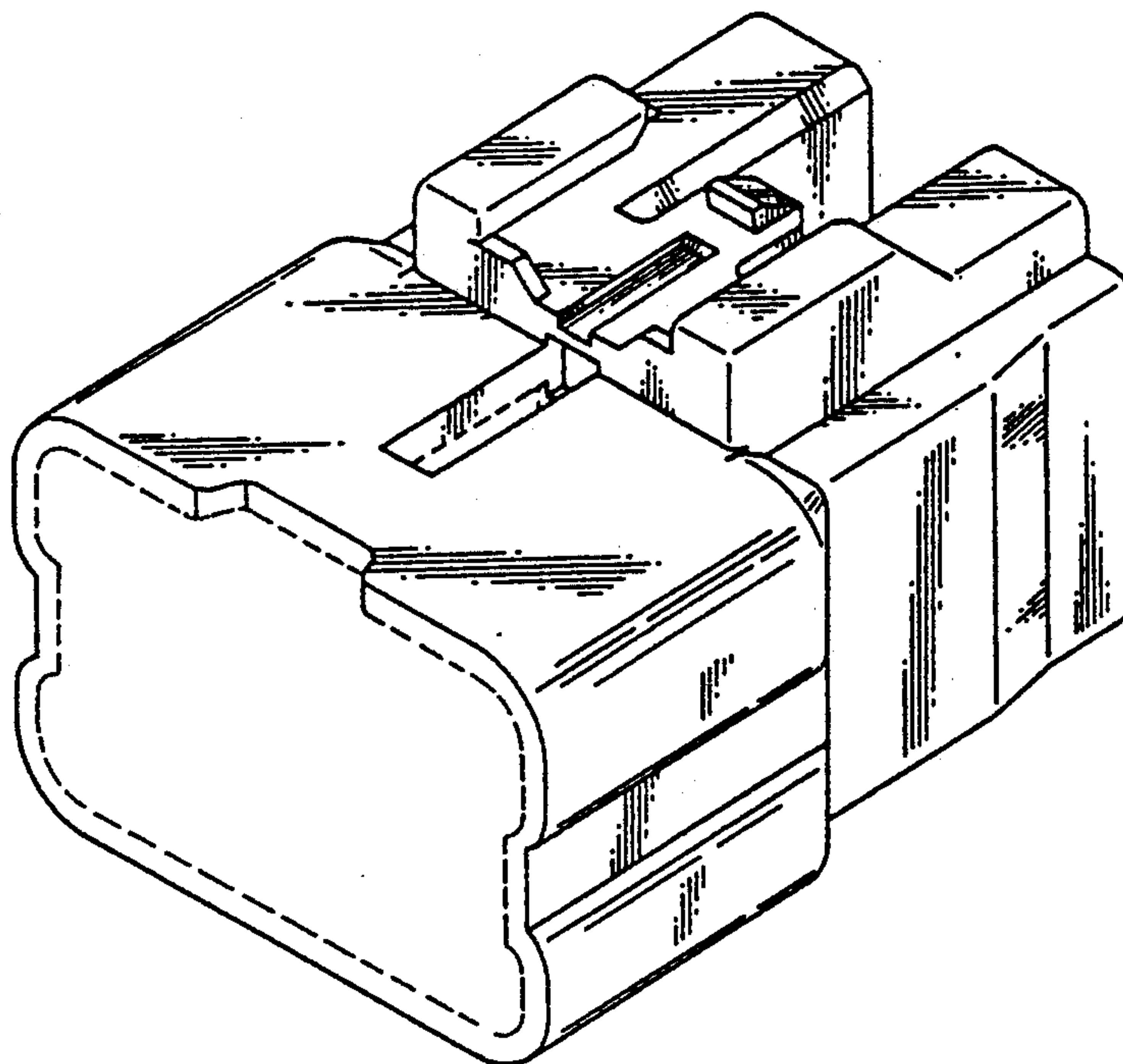


FIG. 1

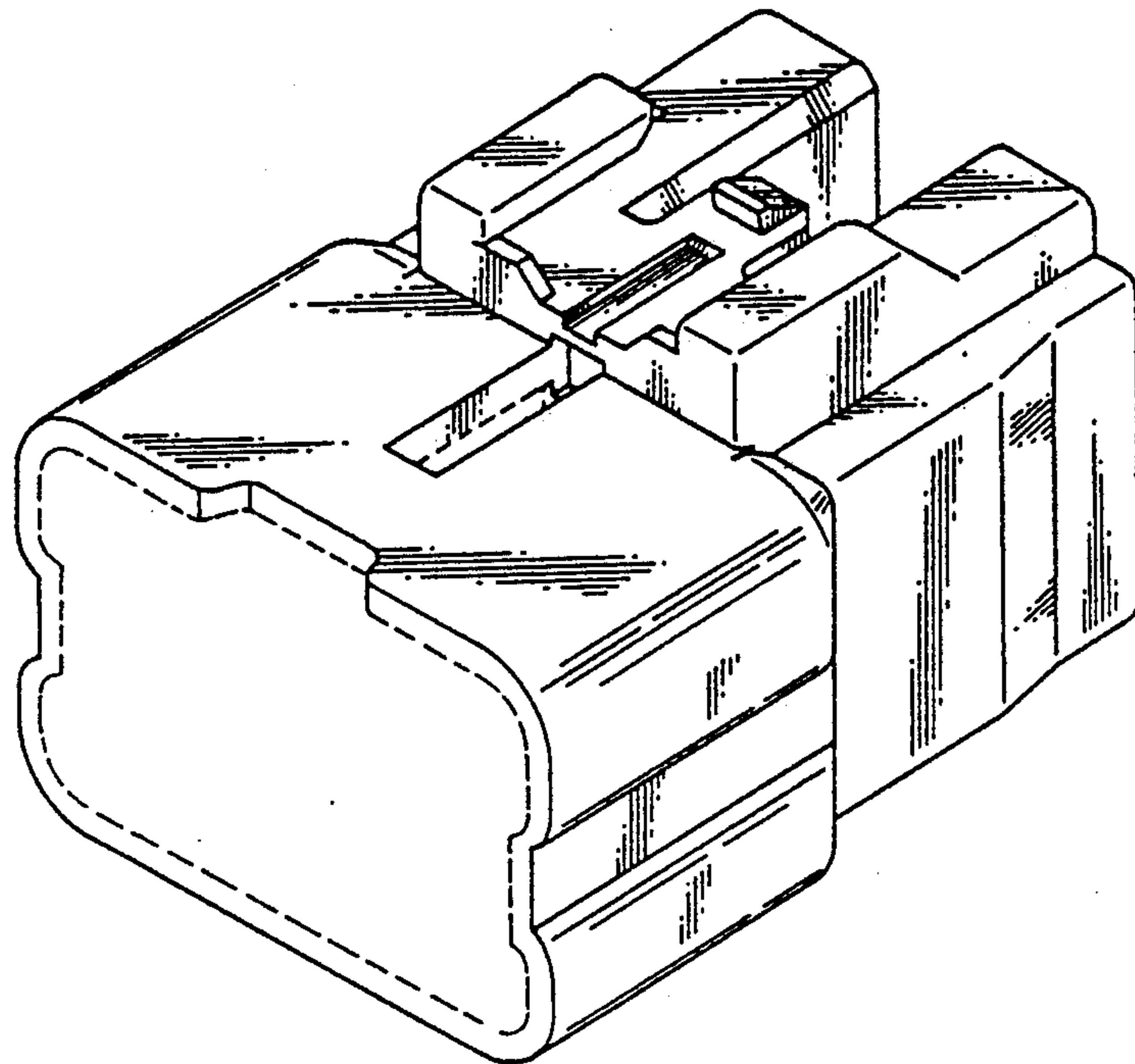


FIG. 2

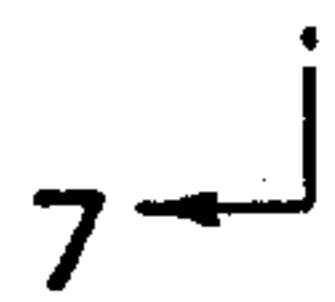
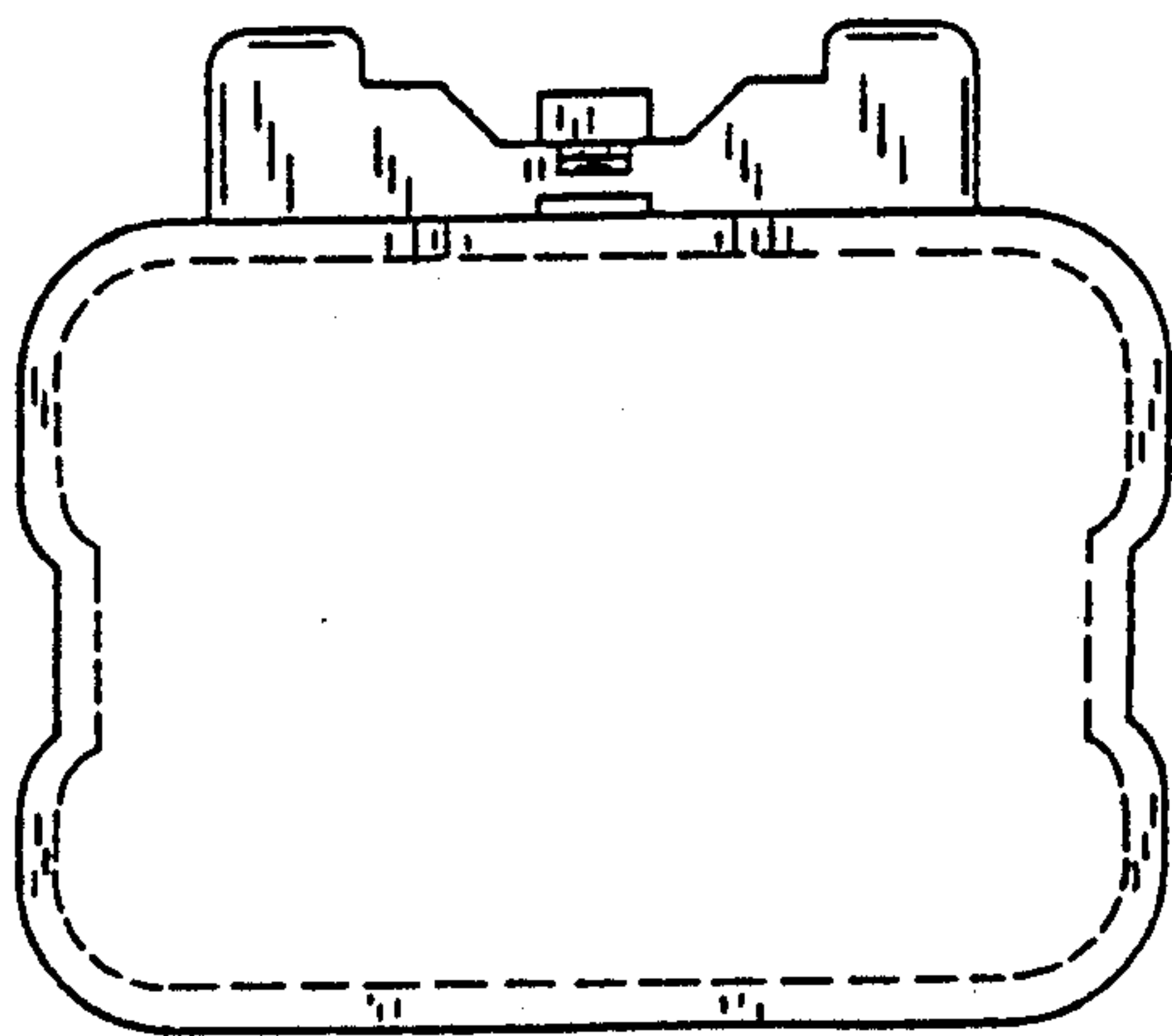
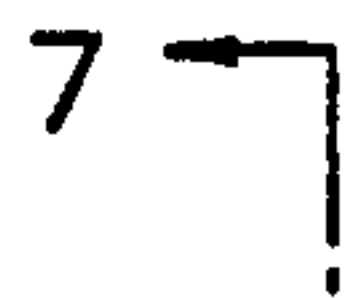


FIG. 3

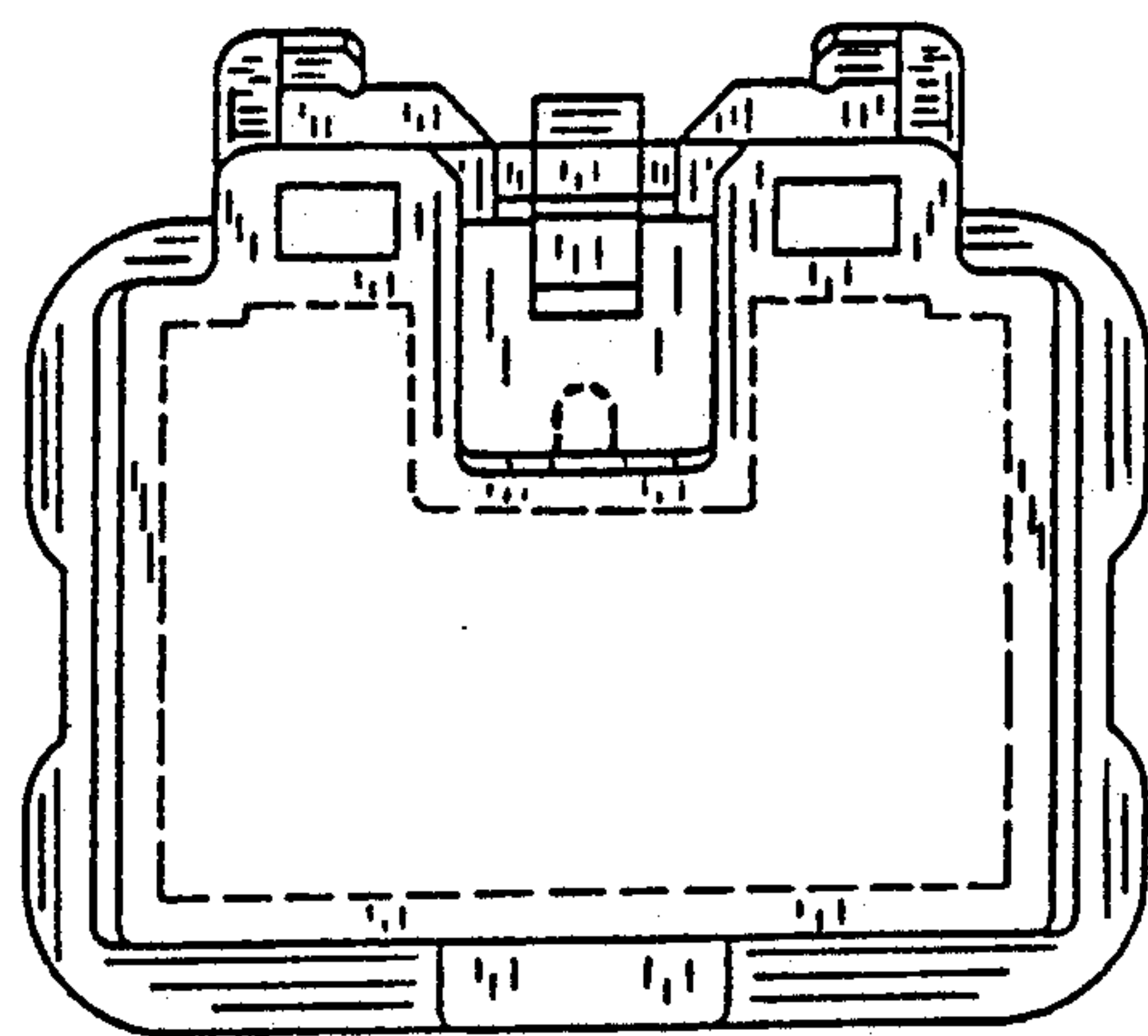


FIG. 4

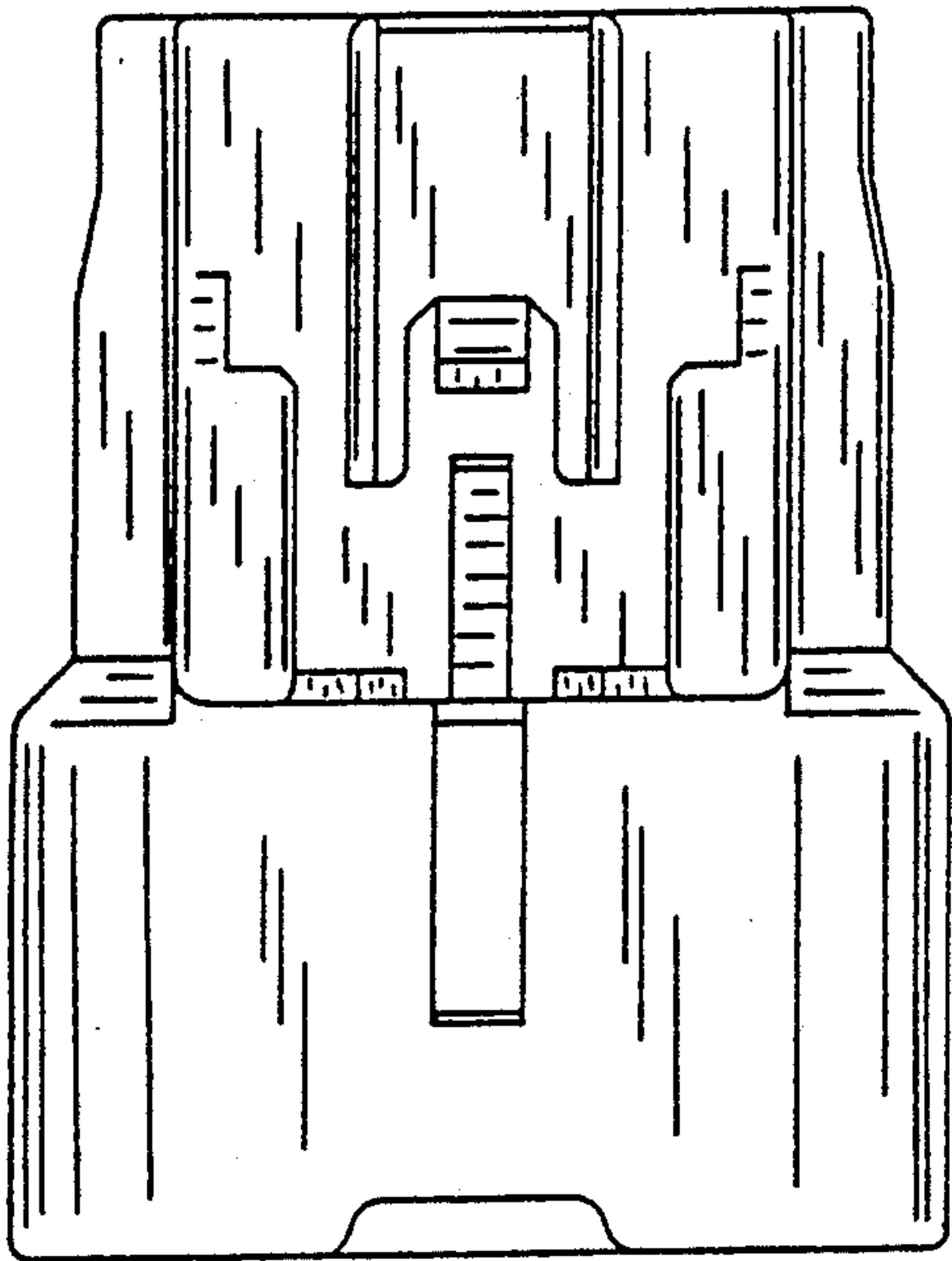


FIG. 5

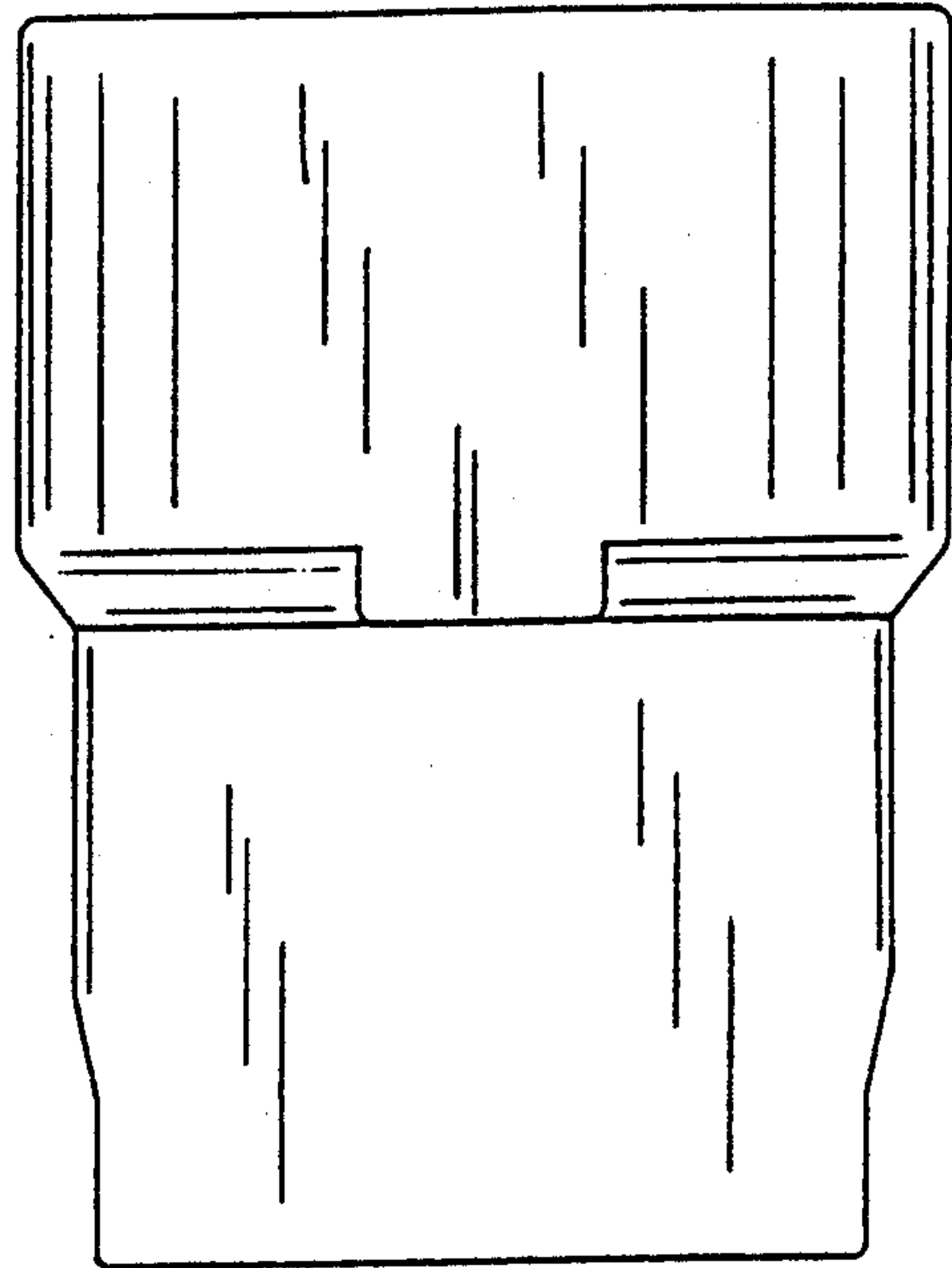


FIG. 6

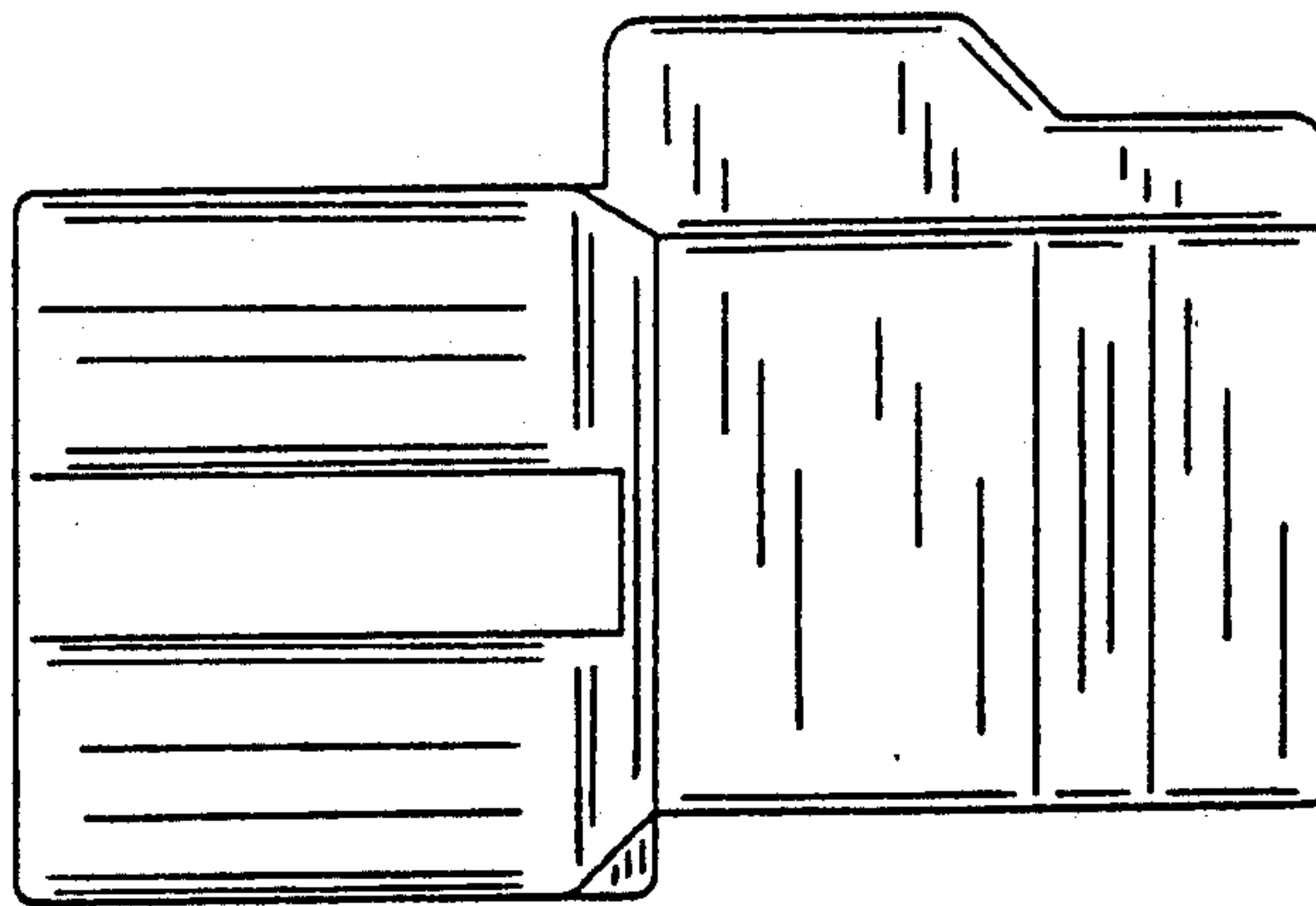


FIG. 7

