



US00D325182S

United States Patent [19]

Terada et al.

[11] Patent Number: **Des. 325,182**

[45] Date of Patent: *** Apr. 7, 1992**

[54] PULL TAB FOR SLIDE FASTENER

[75] Inventors: **Yasuharu Terada, Uozu; Chiharu Takemura, Kurobe, both of Japan**

[73] Assignee: **Yoshida Kogyo K. K., Tokyo, Japan**

[*] Notice: The portion of the term of this patent subsequent to Mar. 17, 2006 has been disclaimed.

[**] Term: **14 Years**

[21] Appl. No.: **342,568**

[22] Filed: **Apr. 24, 1989**

[52] U.S. Cl. **D11/221; D11/200**

[58] Field of Search **D11/200, 201, 221, 212, D11/13, 40-47, 79-80, 85-86, 1-4; 24/381-385, 415-417, 427-431; D20/27; D30/155**

[56] References Cited

U.S. PATENT DOCUMENTS

- D. 229,198 11/1973 Cockburn D30/155
- D. 306,613 3/1990 Parker D20/27
- 2,486,401 11/1949 Gerstman 24/430

FOREIGN PATENT DOCUMENTS

2117445 3/1982 United Kingdom 24/415

Primary Examiner—A. Hugo Word

Assistant Examiner—D. Seifert

Attorney, Agent, or Firm—Hill, Van Santen, Steadman & Simpson

[57] CLAIM

The ornamental design for a pull tab for slide fasteners, as shown and described.

DESCRIPTION

FIG. 1 is a front elevational view of a pull tab for slide fastener showing my new design, the rear being a mirror image;

FIG. 2 is a right side elevational view, the left side being a mirror image;

FIG. 3 is a top plan view;

FIG. 4 is a bottom plan view;

FIG. 5 is a sectional view taken along the line 5—5 of FIG. 1;

FIG. 6 is a sectional view taken along the line 6—6 of FIG. 2;

FIG. 7 is an enlarged sectional view taken along the line 7—7 of FIG. 1; and,

FIG. 8 is an enlarged sectional view taken along the line 8—8 of FIG. 1.

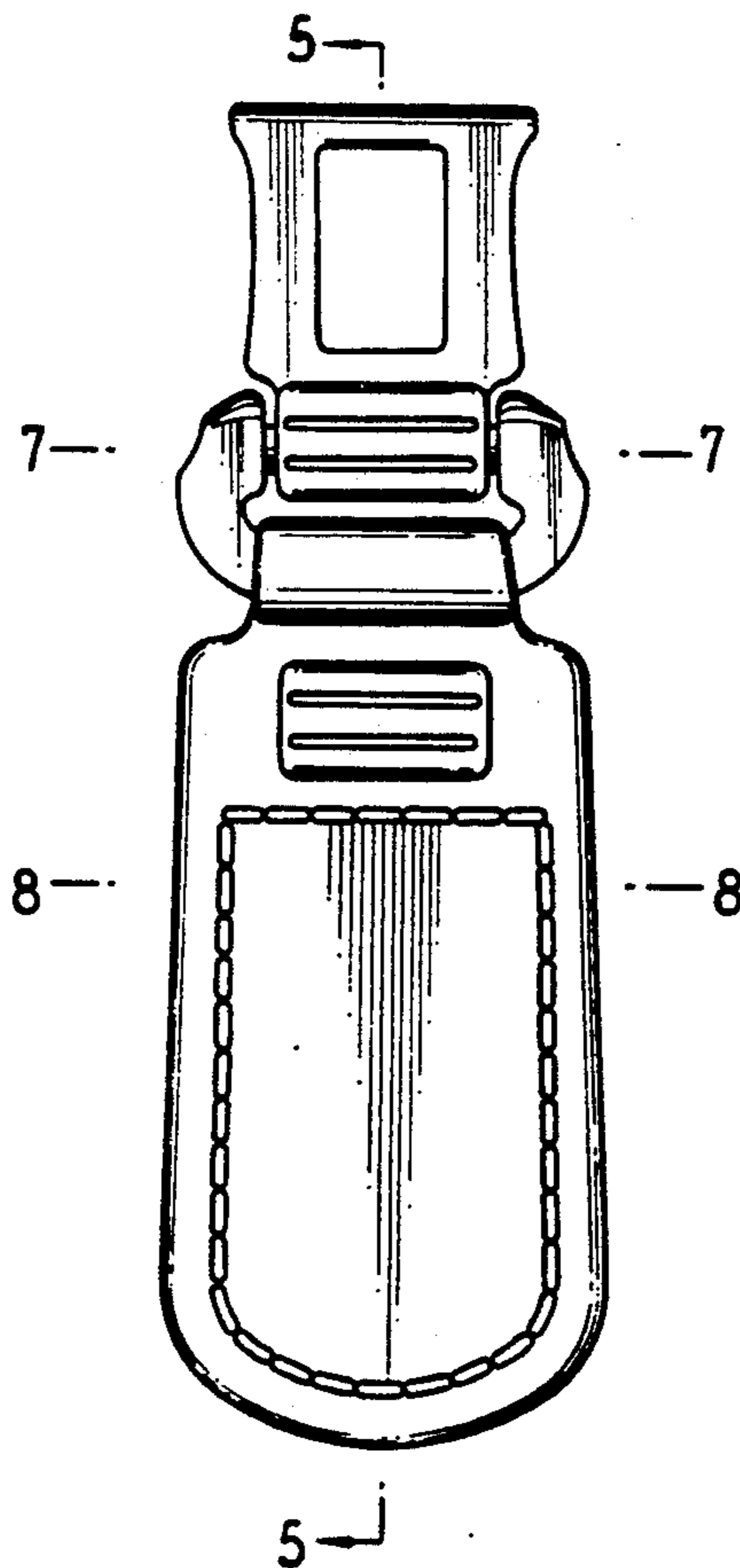


FIG. 1

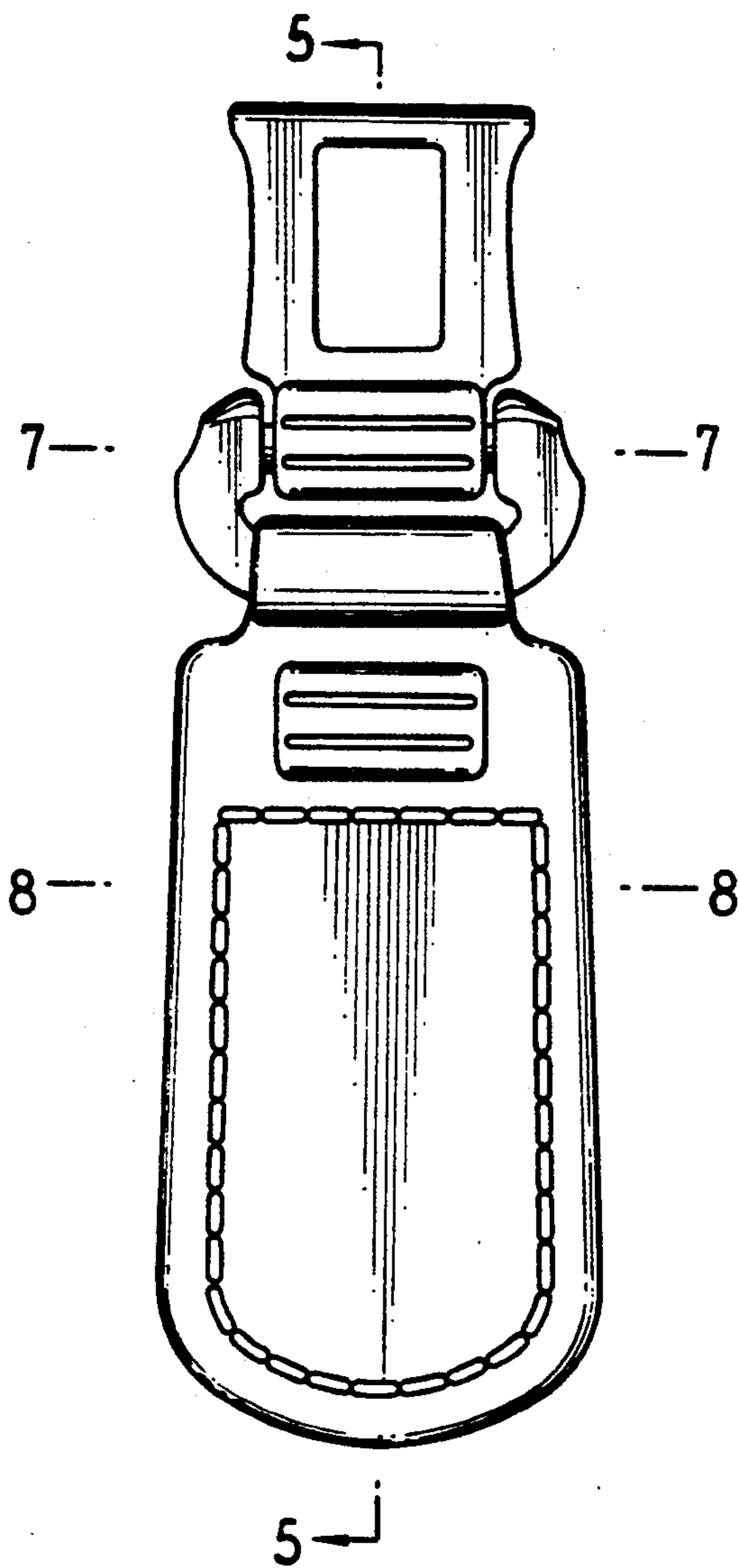


FIG. 2

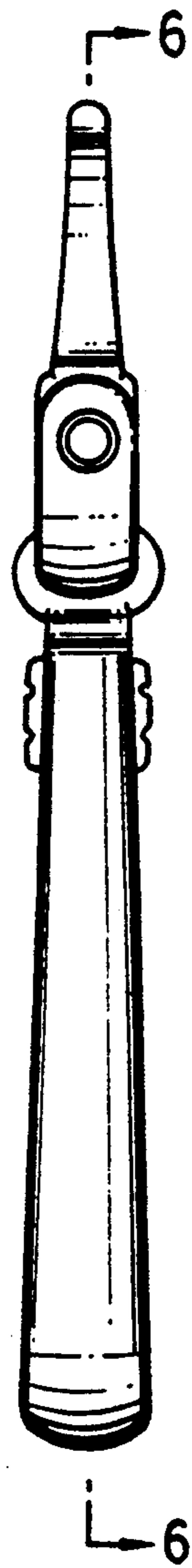


FIG. 4

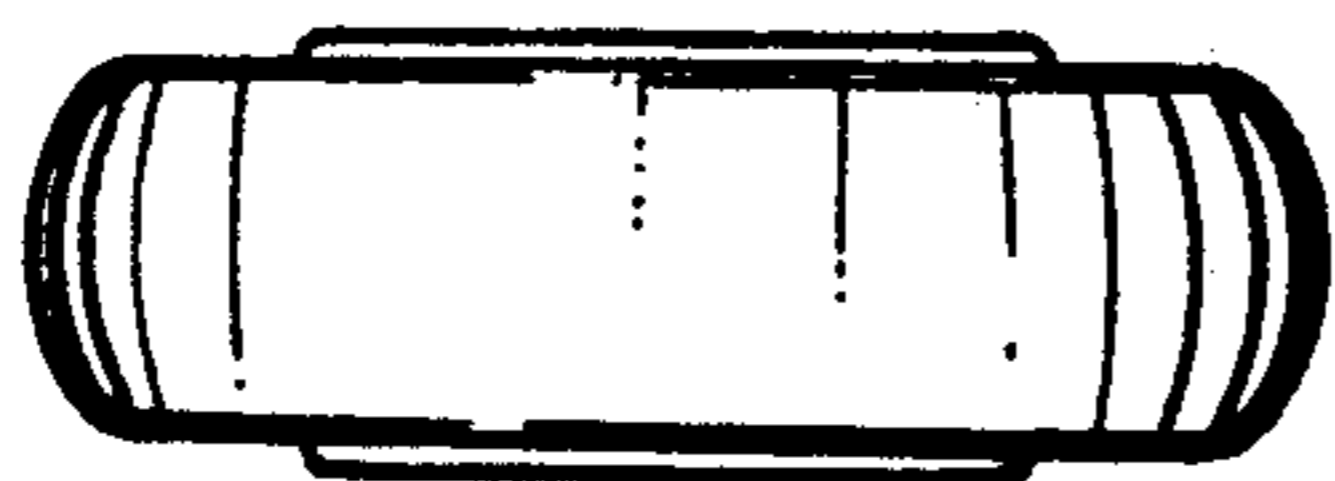


FIG. 3

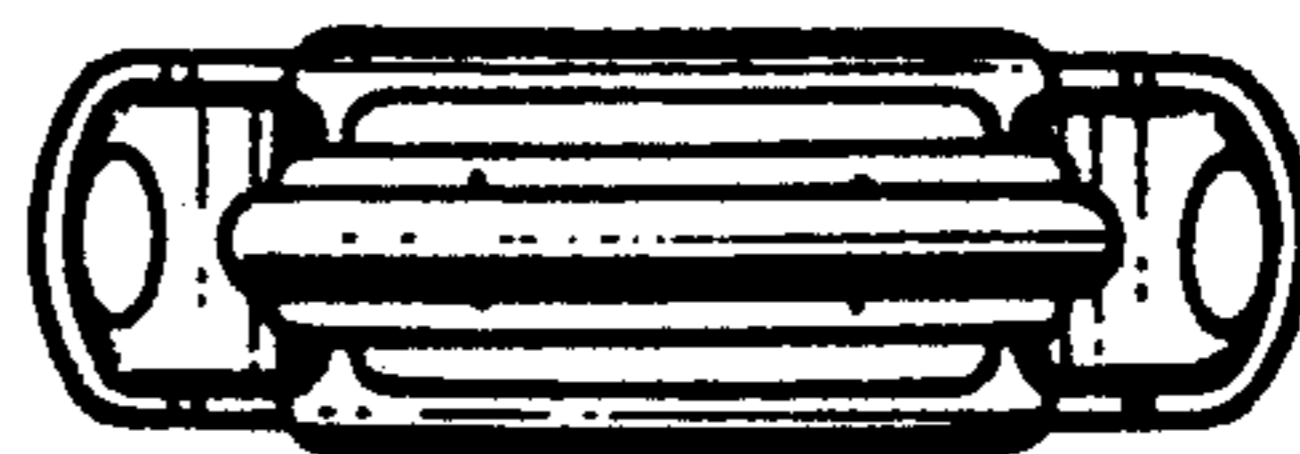


FIG. 6

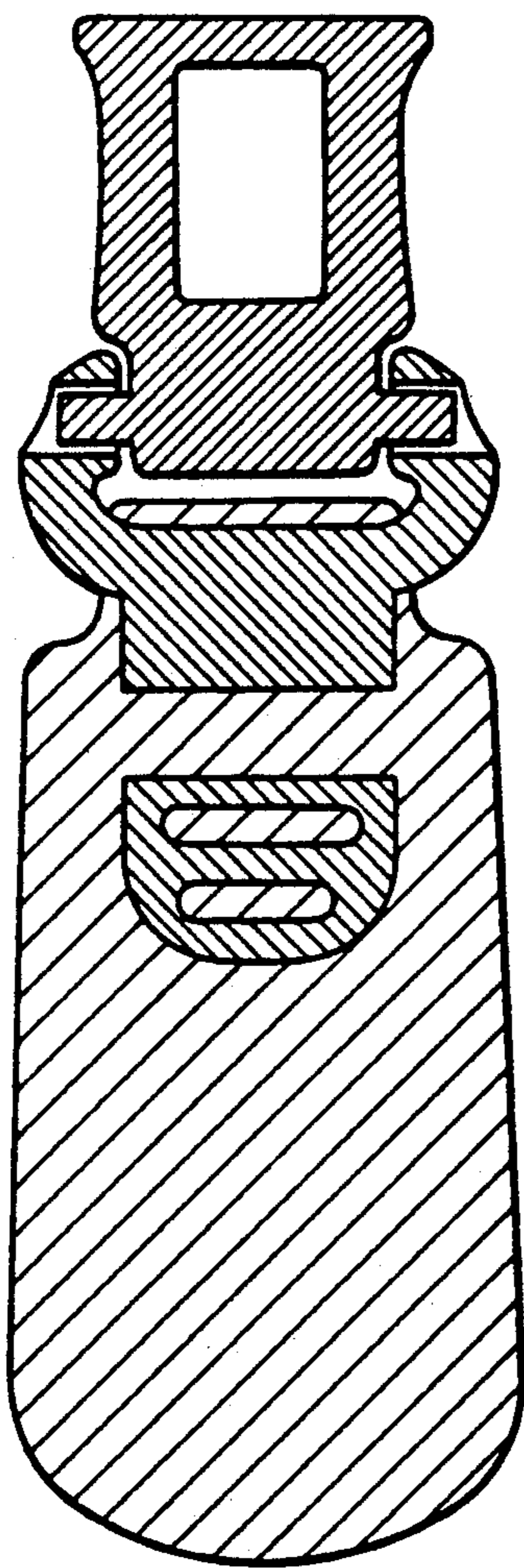


FIG. 5



FIG. 7

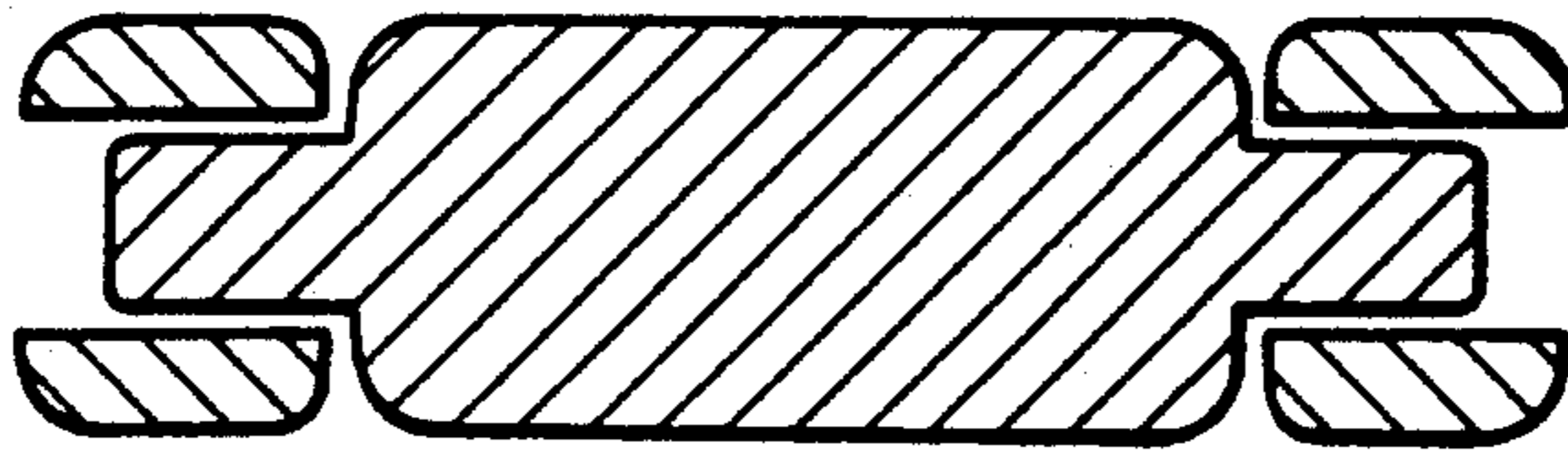


FIG. 8

