



US00D325169S

United States Patent [19]

[11] Patent Number: **Des. 325,169**

Montoya

[45] Date of Patent: **** Apr. 7, 1992**

[54] **BAG CARRIER**

[76] Inventor: **Arturo T. Montoya, 7985 SW. 86th St. #410, Miami, Fla. 33143**

[**] Term: **14 Years**

[21] Appl. No.: **683,031**

[22] Filed: **Apr. 11, 1991**

329,131	8/1885	Boyd .	
1,468,848	9/1923	Wear	16/114 B
2,448,894	9/1948	Laus	16/114 B
3,136,550	8/1964	Ruderian	224/268 X
3,657,765	4/1972	Geisinger .	
3,679,103	7/1972	Chmela et al. .	
3,680,752	8/1972	Wilson .	

Primary Examiner—Wallace R. Burke
Assistant Examiner—H. Baynham
Attorney, Agent, or Firm—Richard C. Litman

Related U.S. Application Data

- [63] Continuation-in-part of Ser. No. 592,903, Oct. 4, 1990.
- [52] U.S. Cl. **D9/434**
- [58] Field of Search D8/107, 354, 349;
D9/434, 499; 294/26, 171, 137; 222/192;
16/114 B; 224/268, 148; D6/512, 552-554

[57] CLAIM

The ornamental design for a bag carrier, as shown and described.

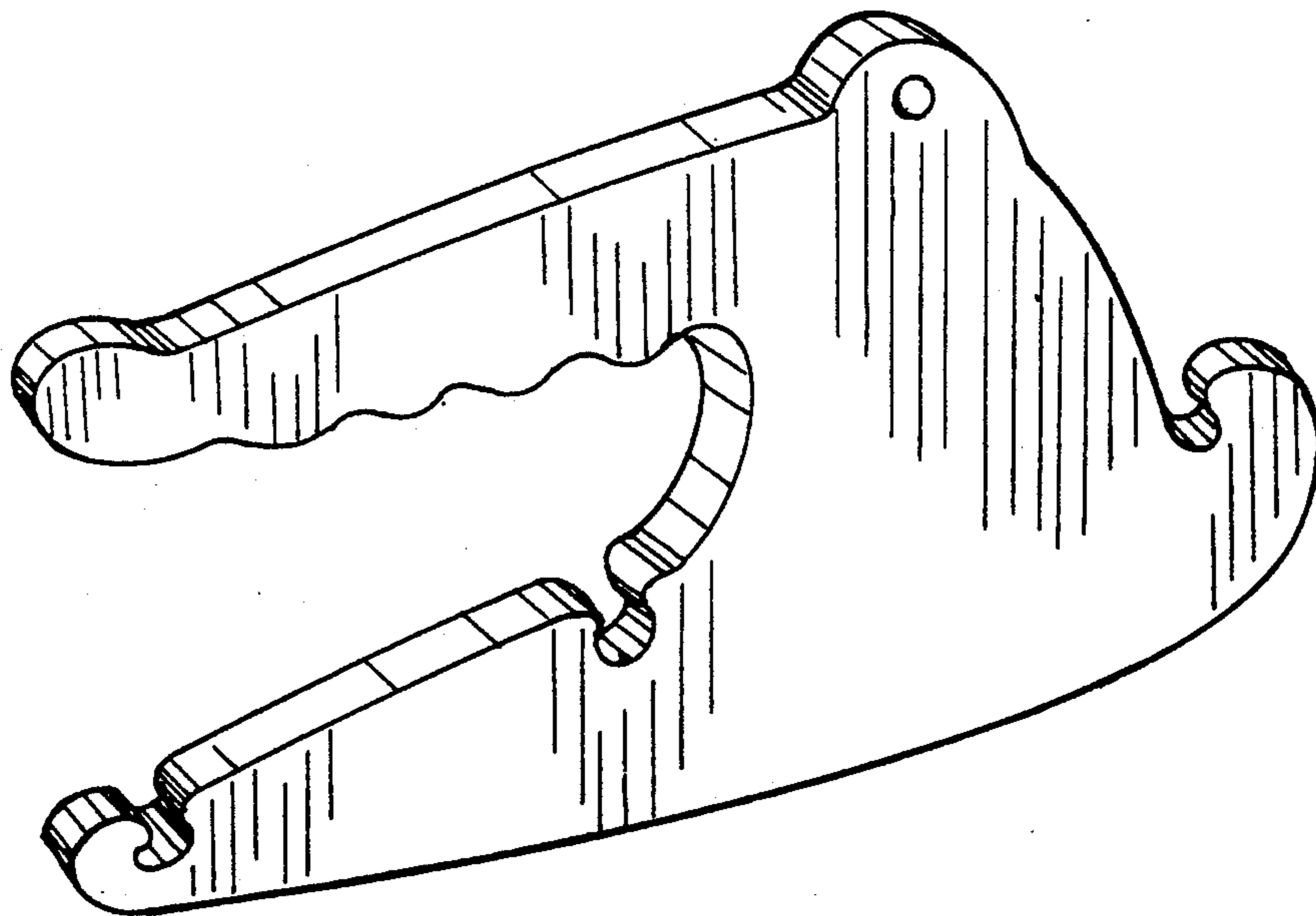
[56] References Cited

U.S. PATENT DOCUMENTS

- D. 288,170 2/1987 Foster D8/354 X
- D. 290,935 7/1987 Williams .
- D. 295,727 5/1988 Clarke .

DESCRIPTION

FIG. 1 is a front, right end and top perspective view of a bag carrier showing my new design;
FIG. 2 is a front elevational view thereof;
FIG. 3 is a top plan view thereof;
FIG. 4 is a right end elevational view thereof;
FIG. 5 is a left end elevational view thereof; and,
FIG. 6 is a bottom plan view thereof.



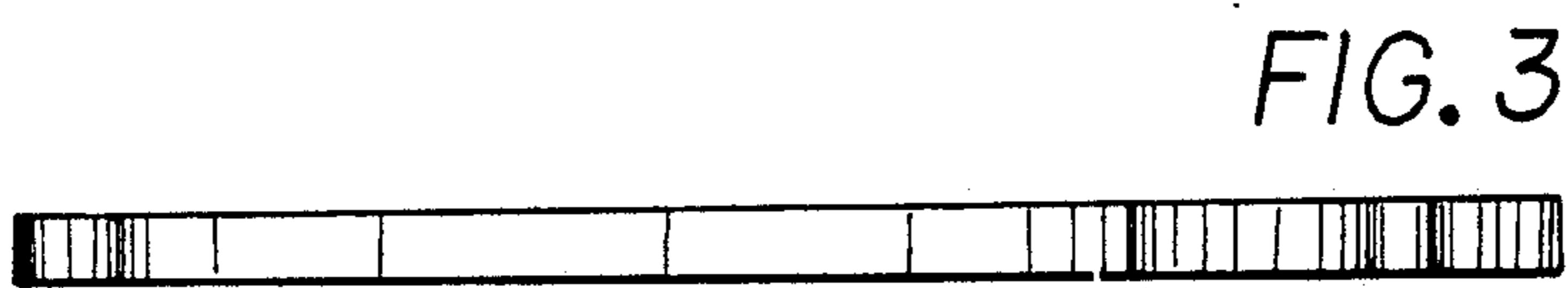
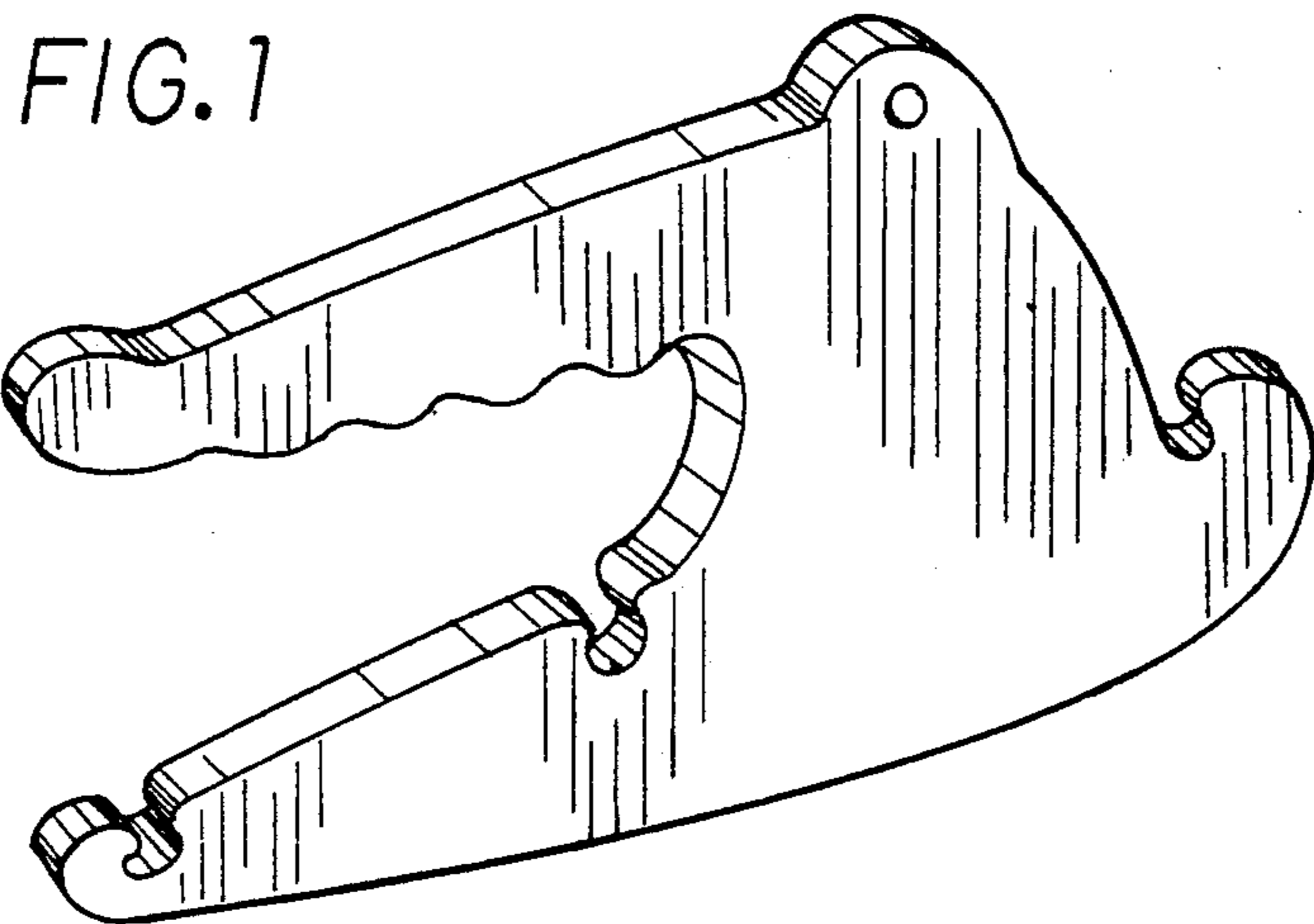


FIG. 4

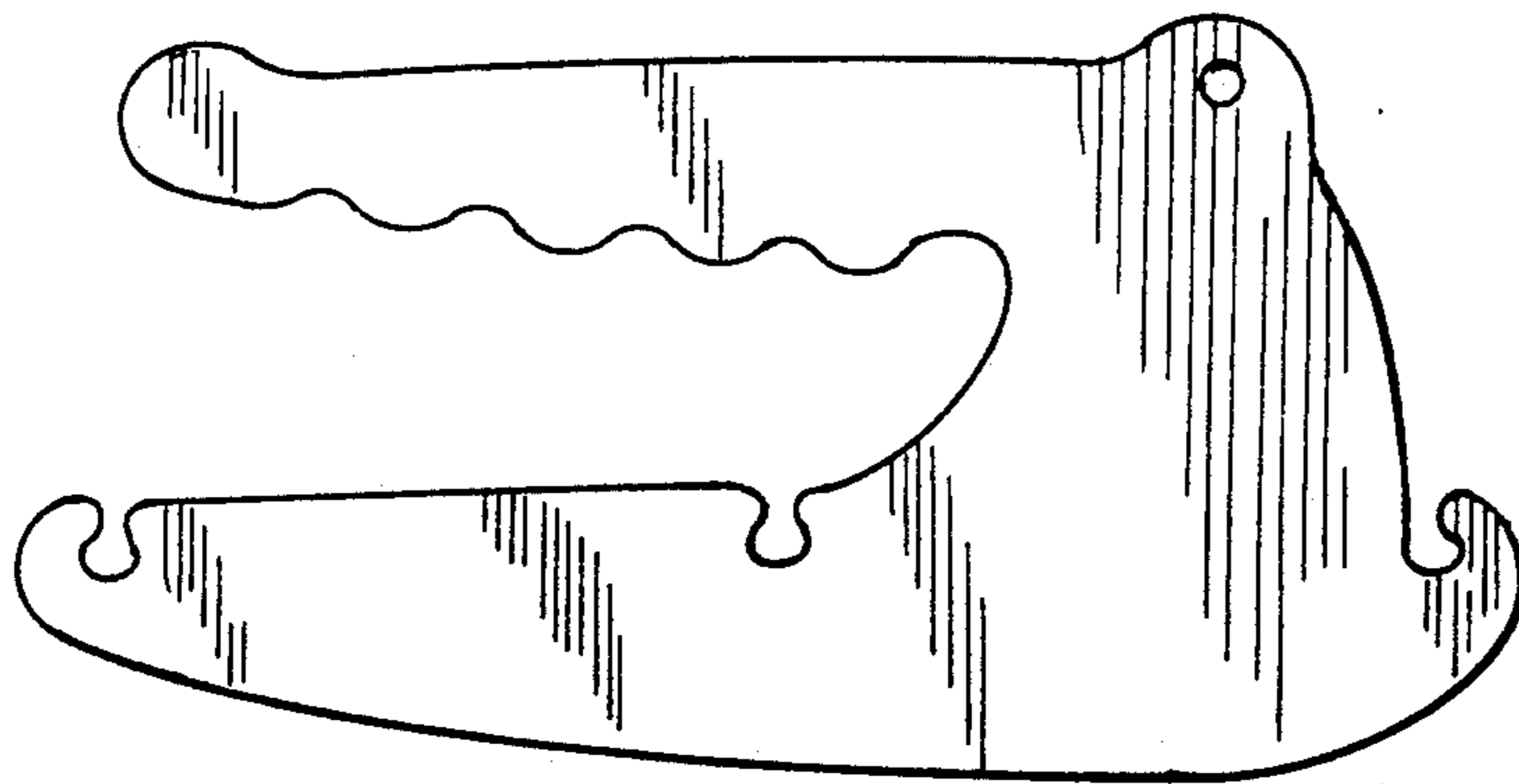


FIG. 2



FIG. 5



FIG. 6