



US00D325158S

United States Patent [19]

[11] Patent Number: **Des. 325,158**

Lebrecht

[45] Date of Patent: **** Apr. 7, 1992**

[54] COMBINATION PARTIALLY-REMOVABLE PROTECTIVE COVER AND SEAL UNIT FOR A PADLOCK

[75] Inventor: **Horst Lebrecht, Reedsburg, Wis.**

[73] Assignee: **Master Lock Company, Milwaukee, Wis.**

[**] Term: **14 Years**

[21] Appl. No.: **519,362**

[22] Filed: **May 4, 1990**

[52] U.S. Cl. **D8/346**

[58] Field of Search **D8/334, 343, 346; 70/51, 54-55, 431, 447-448, 353**

[56] **References Cited**

U.S. PATENT DOCUMENTS

D. 243,150	1/1977	Dykes	D8/334	X
D. 292,869	11/1987	Lebrecht	D8/346	
2,375,488	5/1945	Olson	70/54	X
3,453,758	7/1969	Soref et al.	70/54	
4,224,813	9/1980	Hampton	70/51	
4,317,344	3/1982	Barnard	70/55	

FOREIGN PATENT DOCUMENTS

865398 3/1971 Canada 70/353

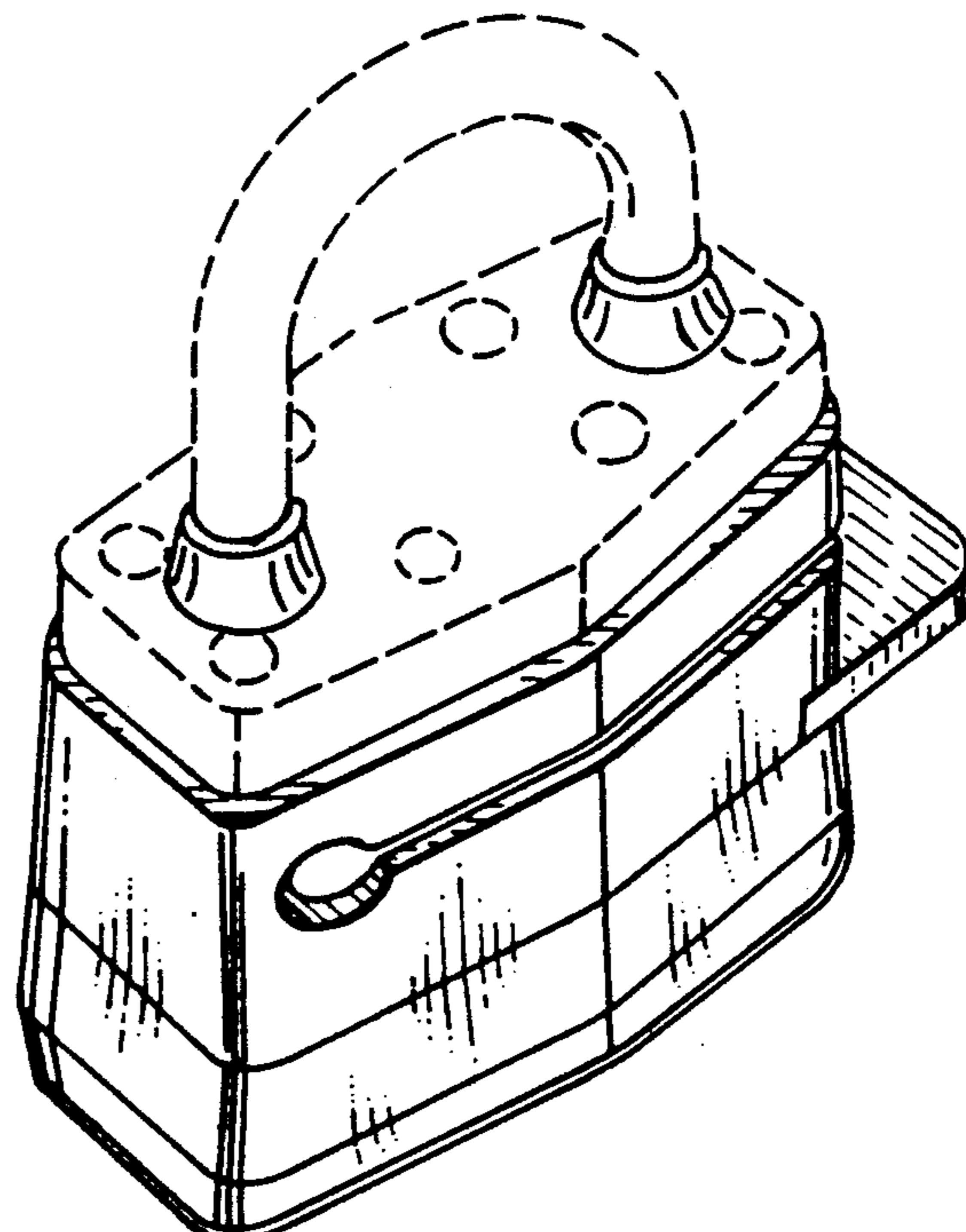
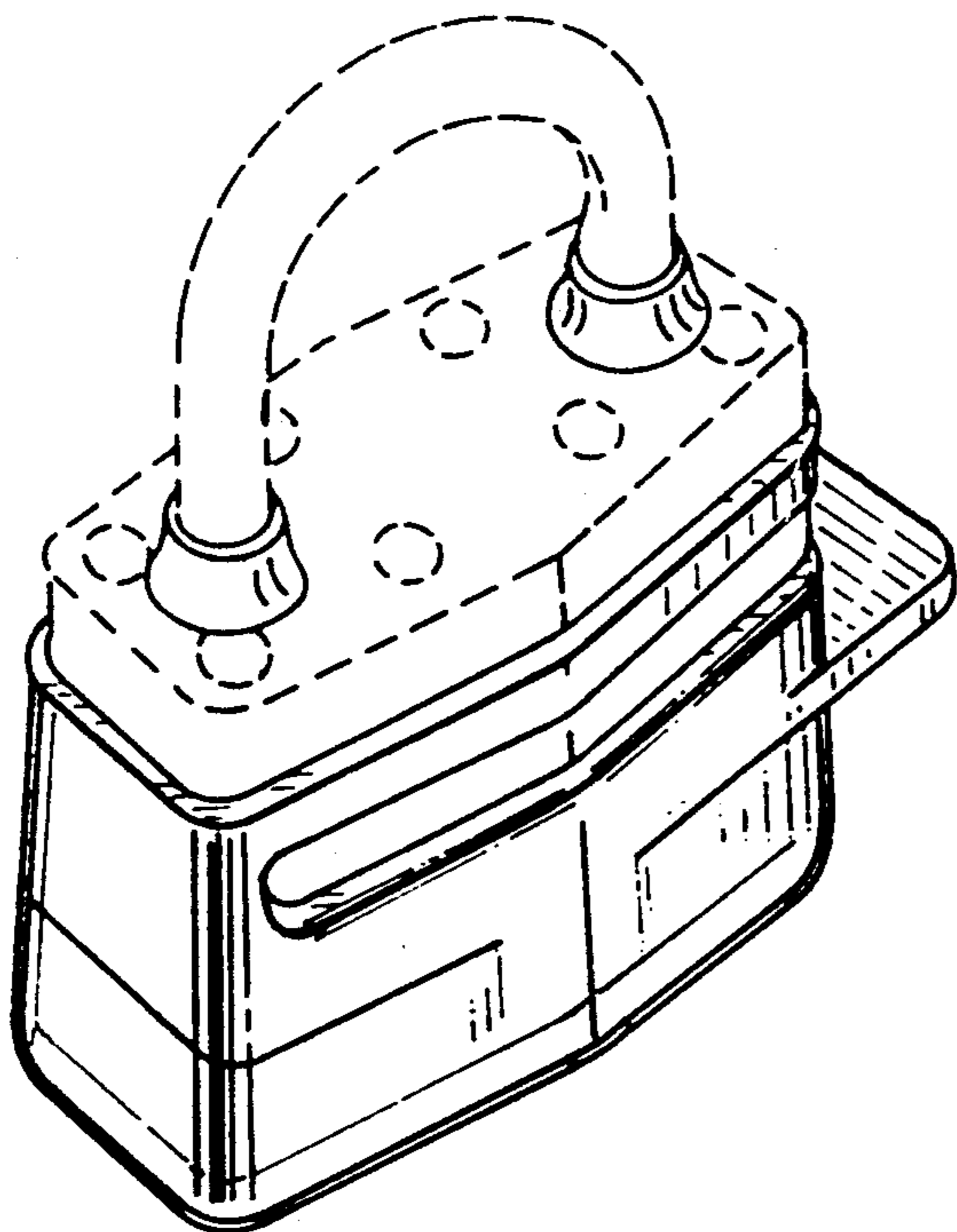
Primary Examiner—Brian N. Vinson
Attorney, Agent, or Firm—Pennie & Edmonds

[57] **CLAIM**

The ornamental design for a combination partially-removable protective cover and seal unit for a padlock, as shown and described.

DESCRIPTION

FIG. 1 is a top, front, and left side perspective view of a combination partially-removable protective cover and seal unit for a padlock showing my new design; FIG. 2 is a front elevational view thereof; FIG. 3 is a left side elevational view thereof; FIG. 4 is a right side elevational view thereof; FIG. 5 is a top plan view thereof; FIG. 6 is a bottom plan view thereof; and, FIG. 7 is a top, front, and left side perspective view of an alternative embodiment thereof, the only difference residing in the configuration of the peripheral slit. The broken-line disclosure of a padlock in the views is for illustrative purposes only and forms no part of the claimed design.



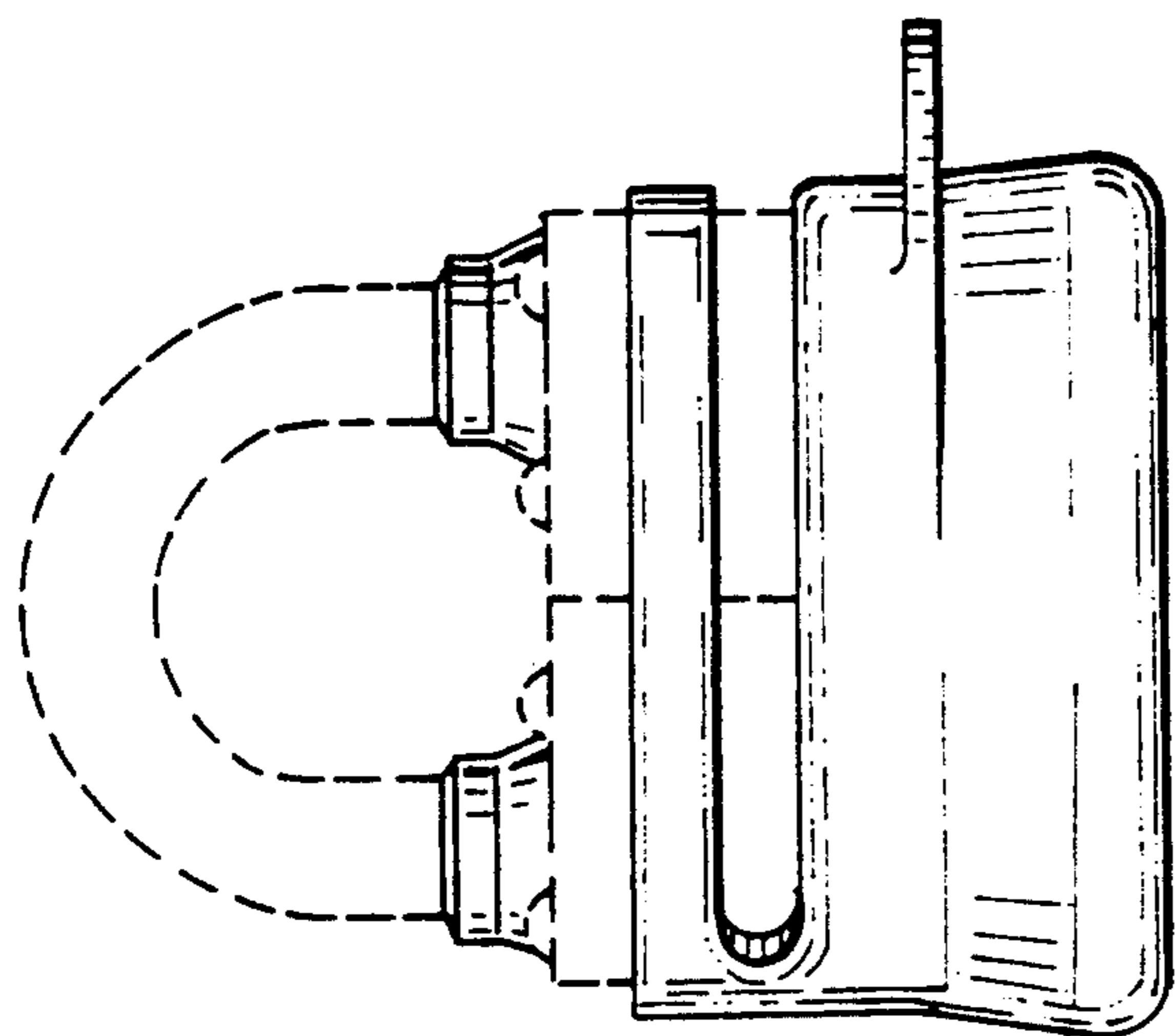


FIG. 2

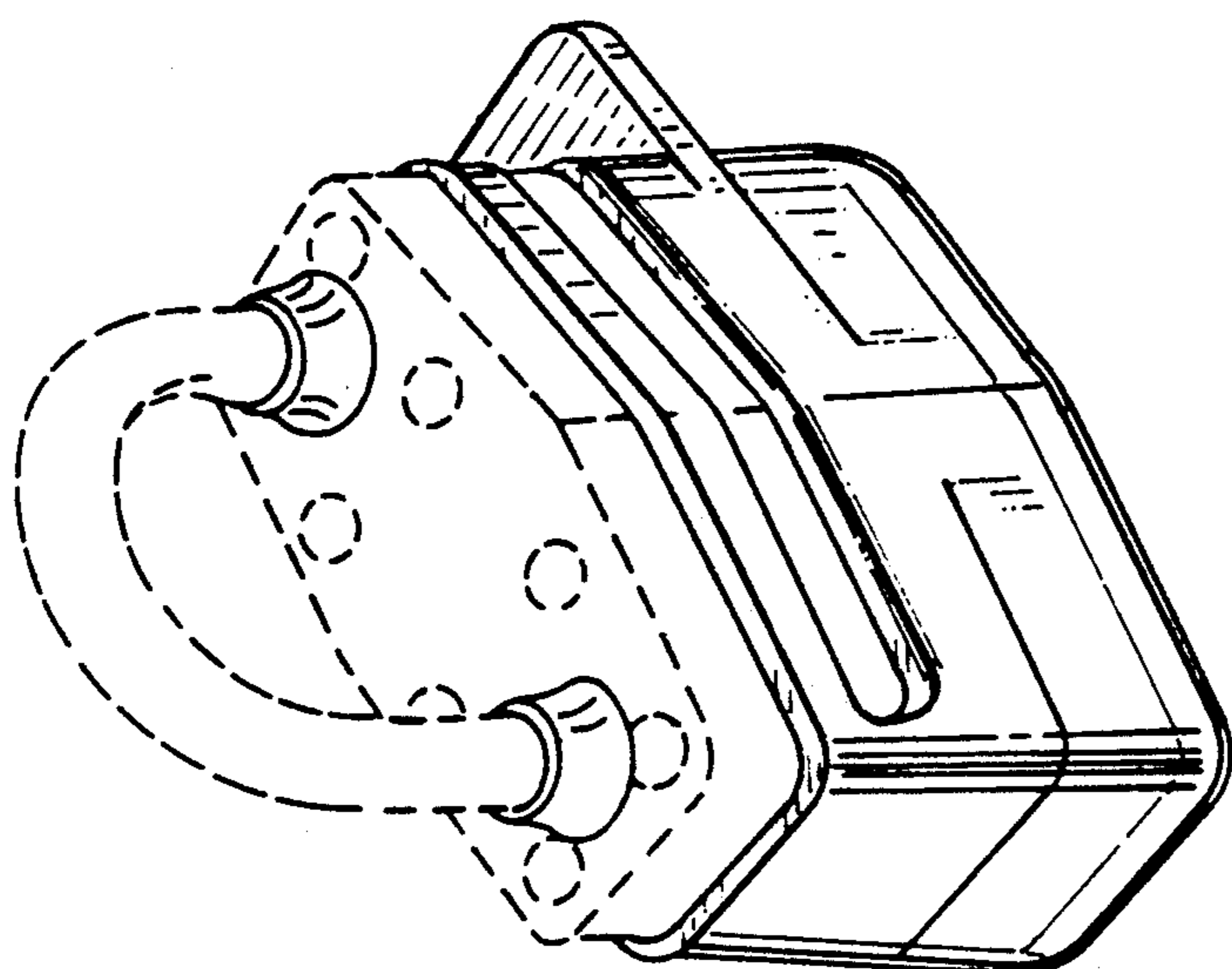


FIG. 1

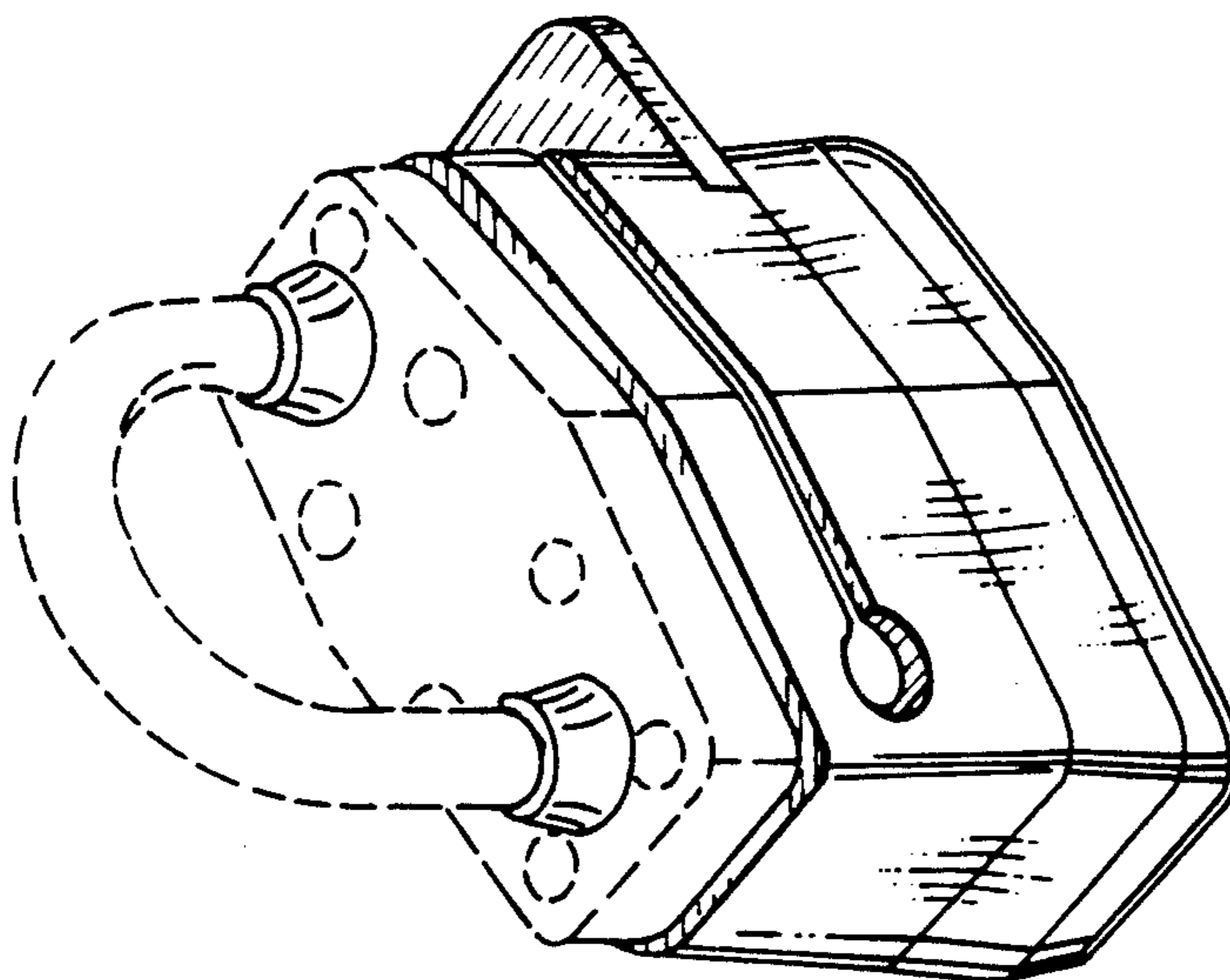


FIG. 7

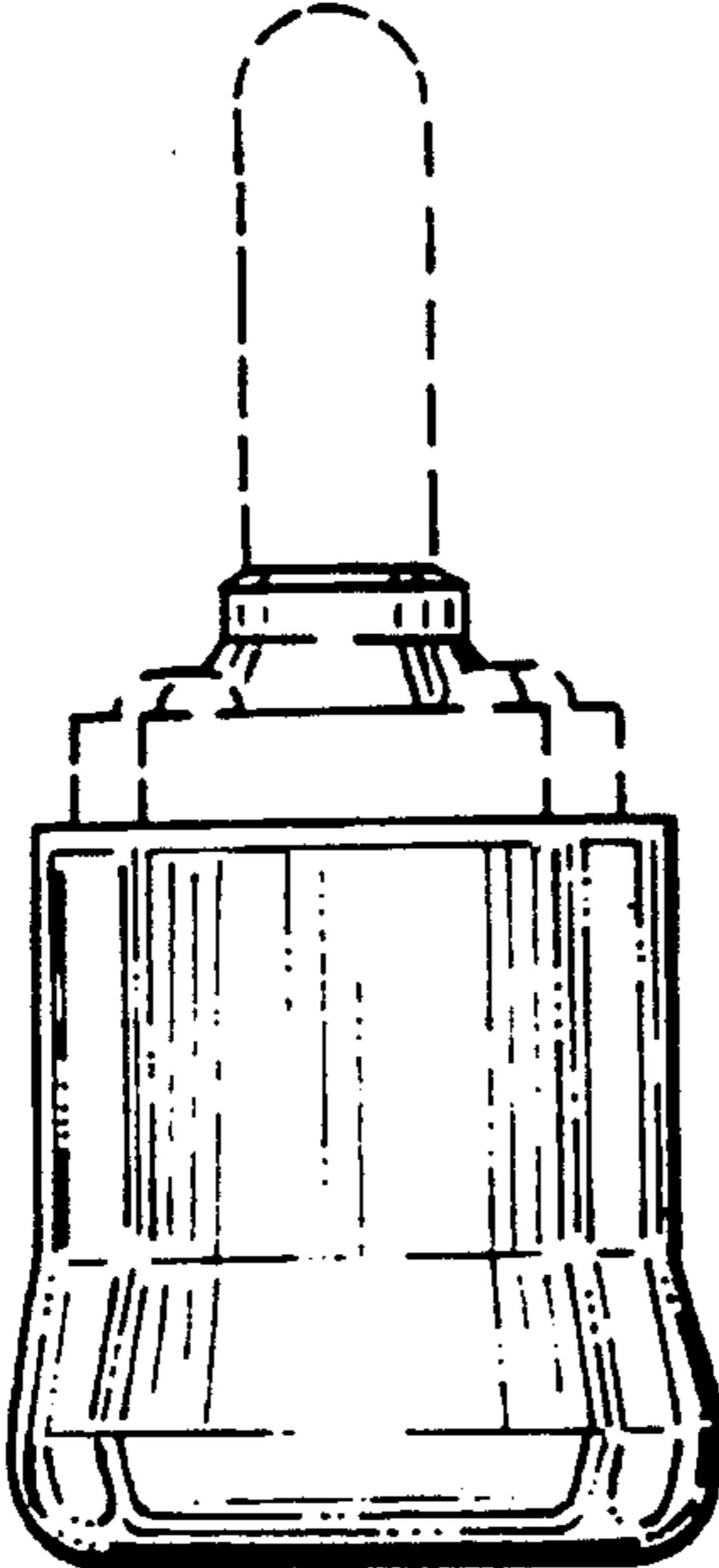


FIG. 3

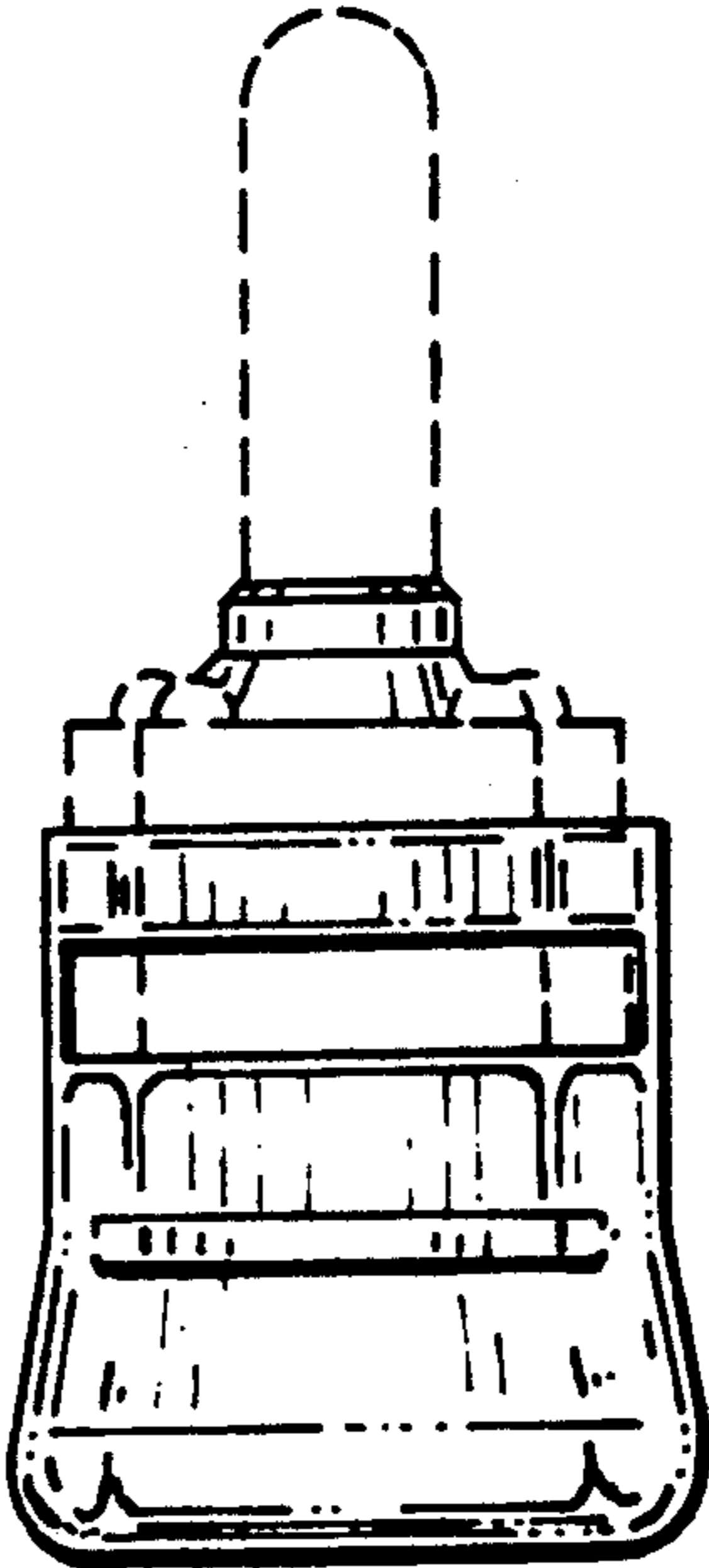


FIG. 4

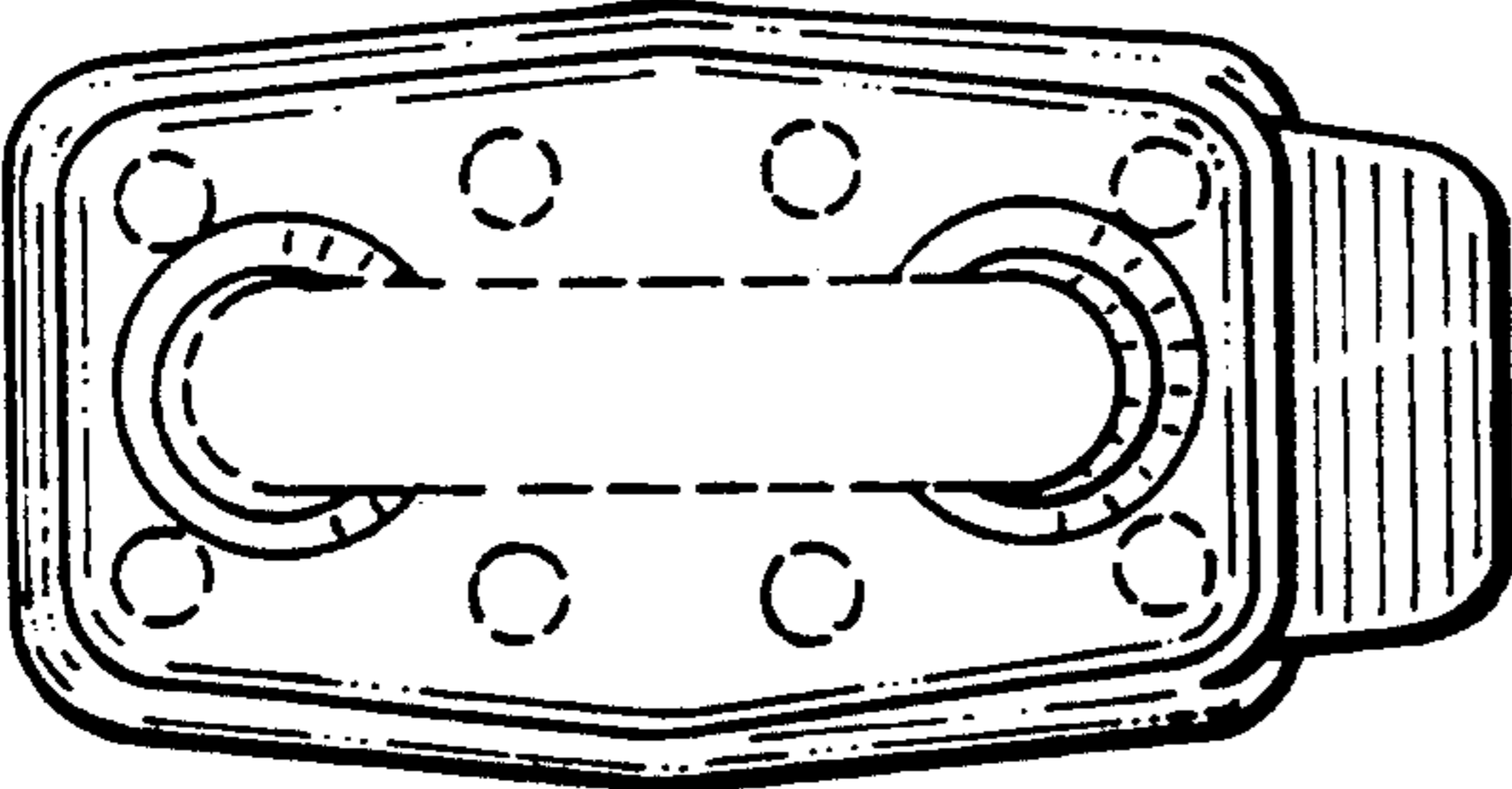


FIG. 5

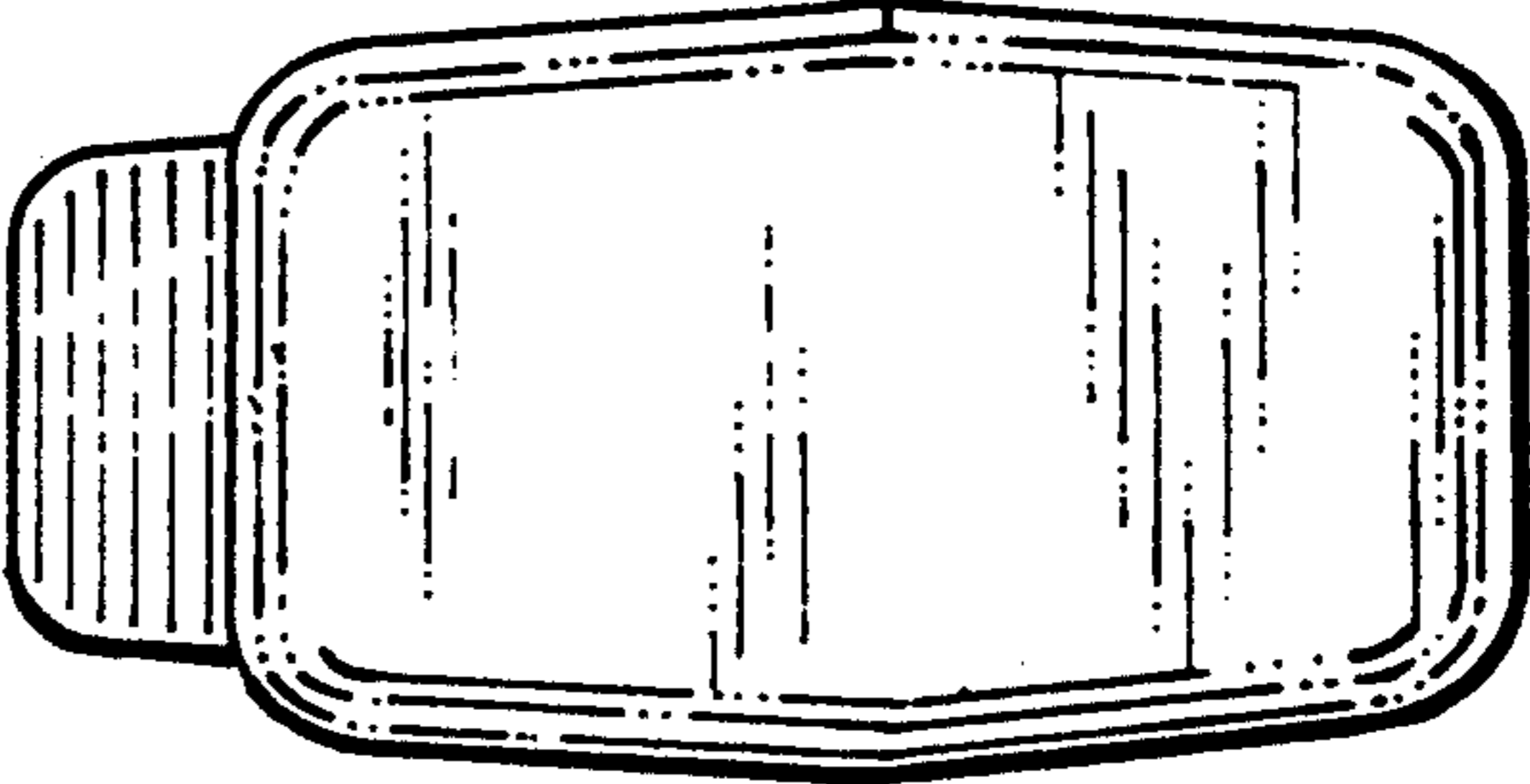


FIG. 6