



US00D325138S

United States Patent [19]

[11] Patent Number: **Des. 325,138**

Levin

[45] Date of Patent: **** Apr. 7, 1992**

[54] MODULAR DISPLAY SHELF

[75] Inventor: Charles R. Levin, Riverdale, N.Y.

[73] Assignee: Nysco Products, Inc., Bronx, N.Y.

[**] Term: 14 Years

[21] Appl. No.: 228,130

[22] Filed: Aug. 4, 1988

[52] U.S. Cl. D6/479

[58] Field of Search D6/449, 477-479,
D6/455, 461, 468; 108/59, 91, 111, 144, 42;
211/186, 187, 135

[56] References Cited

U.S. PATENT DOCUMENTS

D. 232,405	8/1974	Leikarts et al.	D6/455
D. 240,363	6/1976	Weigel et al.	D6/477 X
3,831,336	8/1974	Diemer	211/186 X
3,834,324	9/1974	Lang	108/91

FOREIGN PATENT DOCUMENTS

928208 6/1963 United Kingdom 108/59

Primary Examiner—Bruce W. Dunkins

Assistant Examiner—Jeffrey Asch

Attorney, Agent, or Firm—Kenyon & Kenyon

[57] CLAIM

The ornamental design for a modular display shelf, shown and described.

DESCRIPTION

FIG. 1 is a perspective view of a modular display shelf showing my new design;

FIG. 2 is a front elevational view thereof;

FIG. 3 is a rear elevational view thereof;

FIG. 4 is a right side elevational view thereof;

FIG. 5 is a left side elevational view thereof;

FIG. 6 is a top plan view thereof; and,

FIG. 7 is a bottom plan view thereof.

FIGS. 2-7 have been shown on an enlarged scale with respect to FIG. 1.

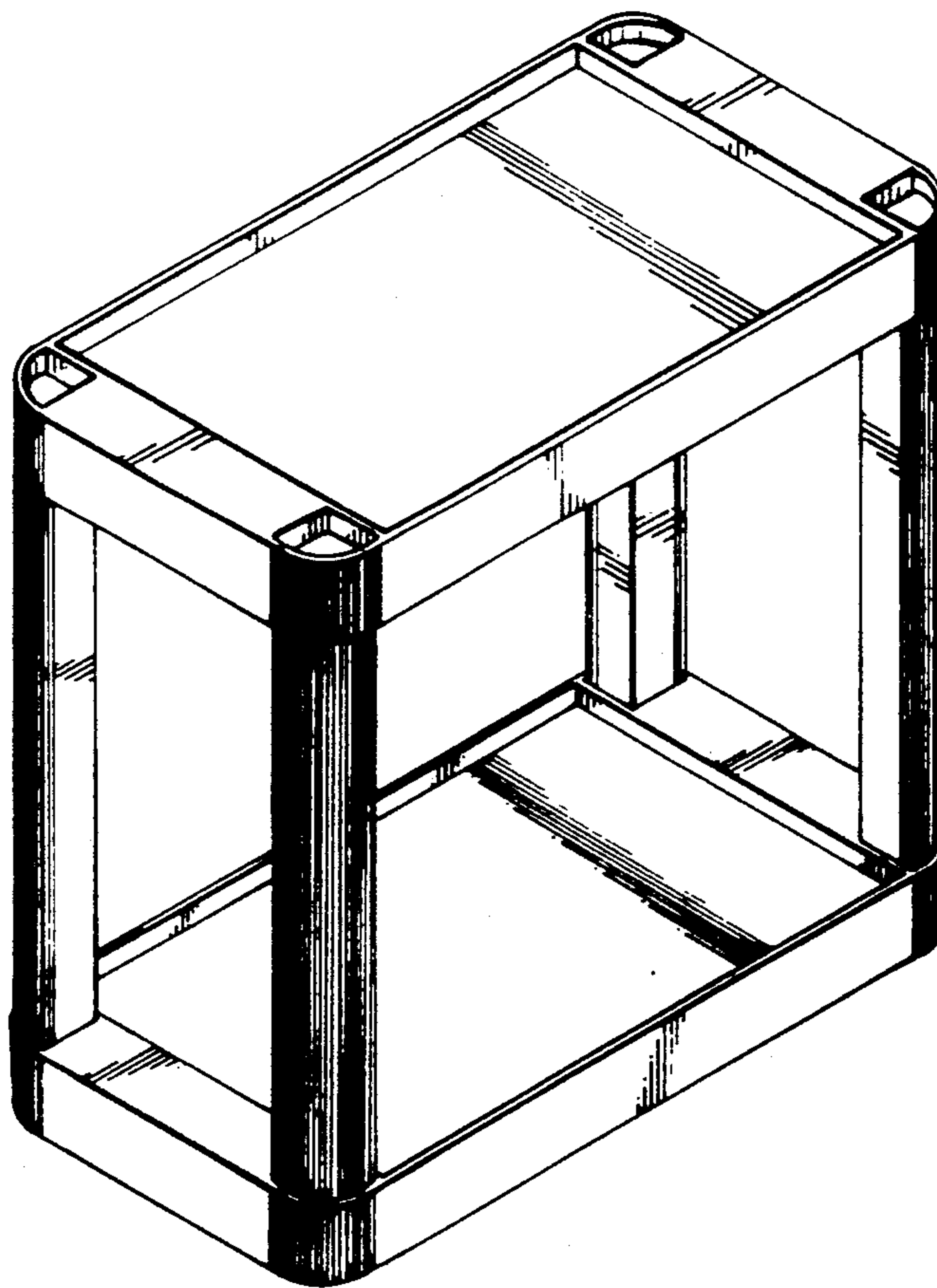


Fig. 1

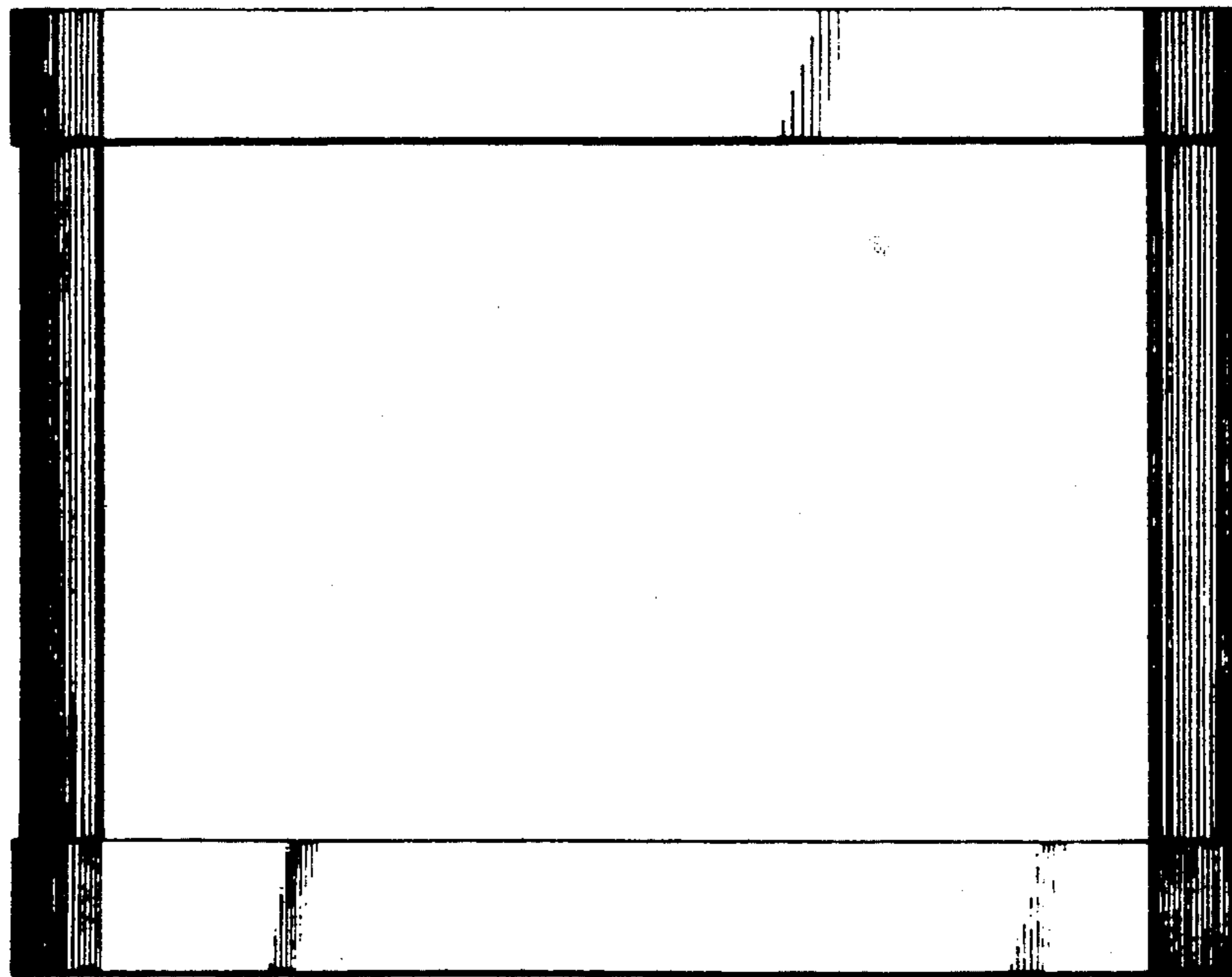
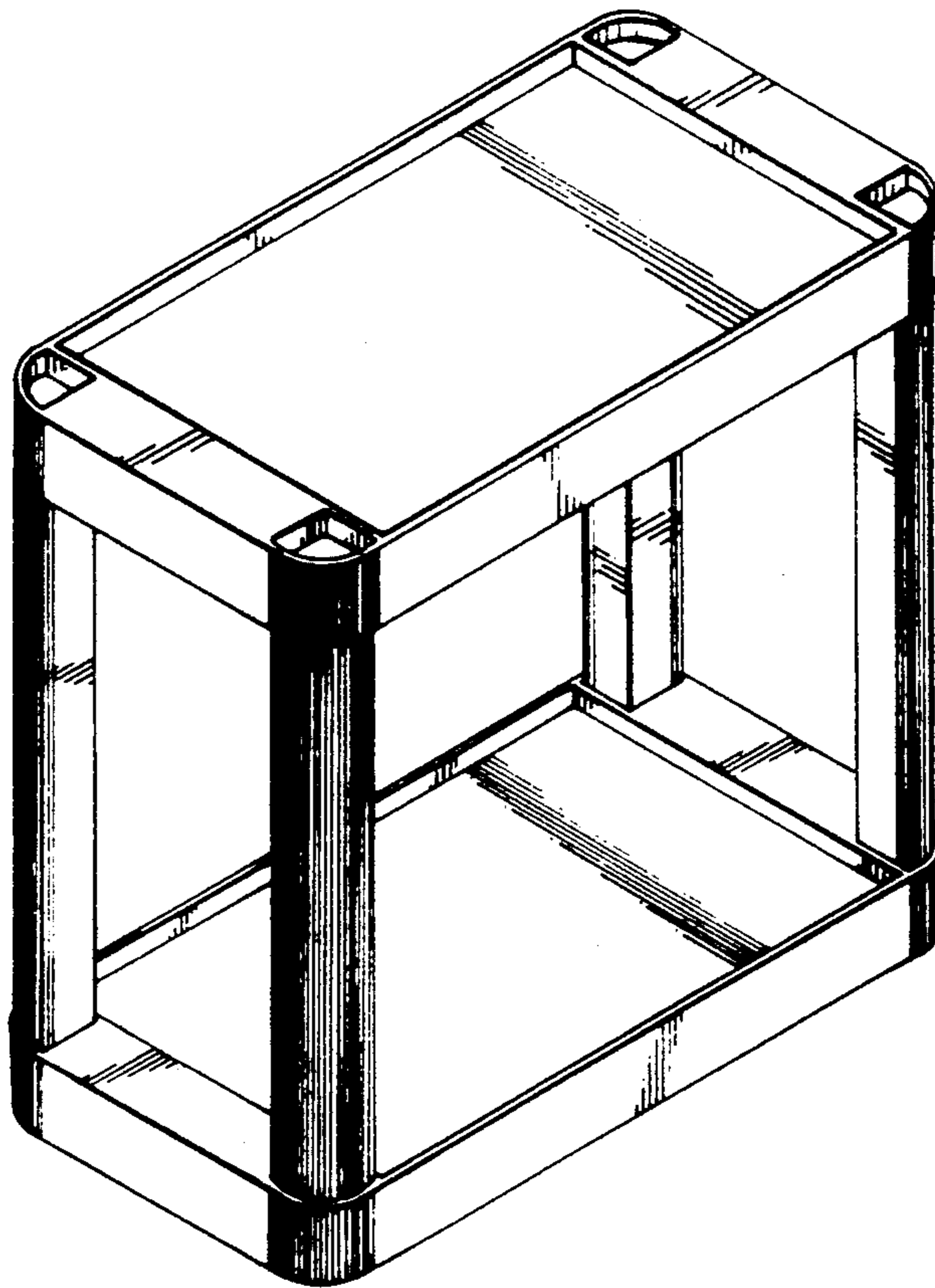


Fig. 2

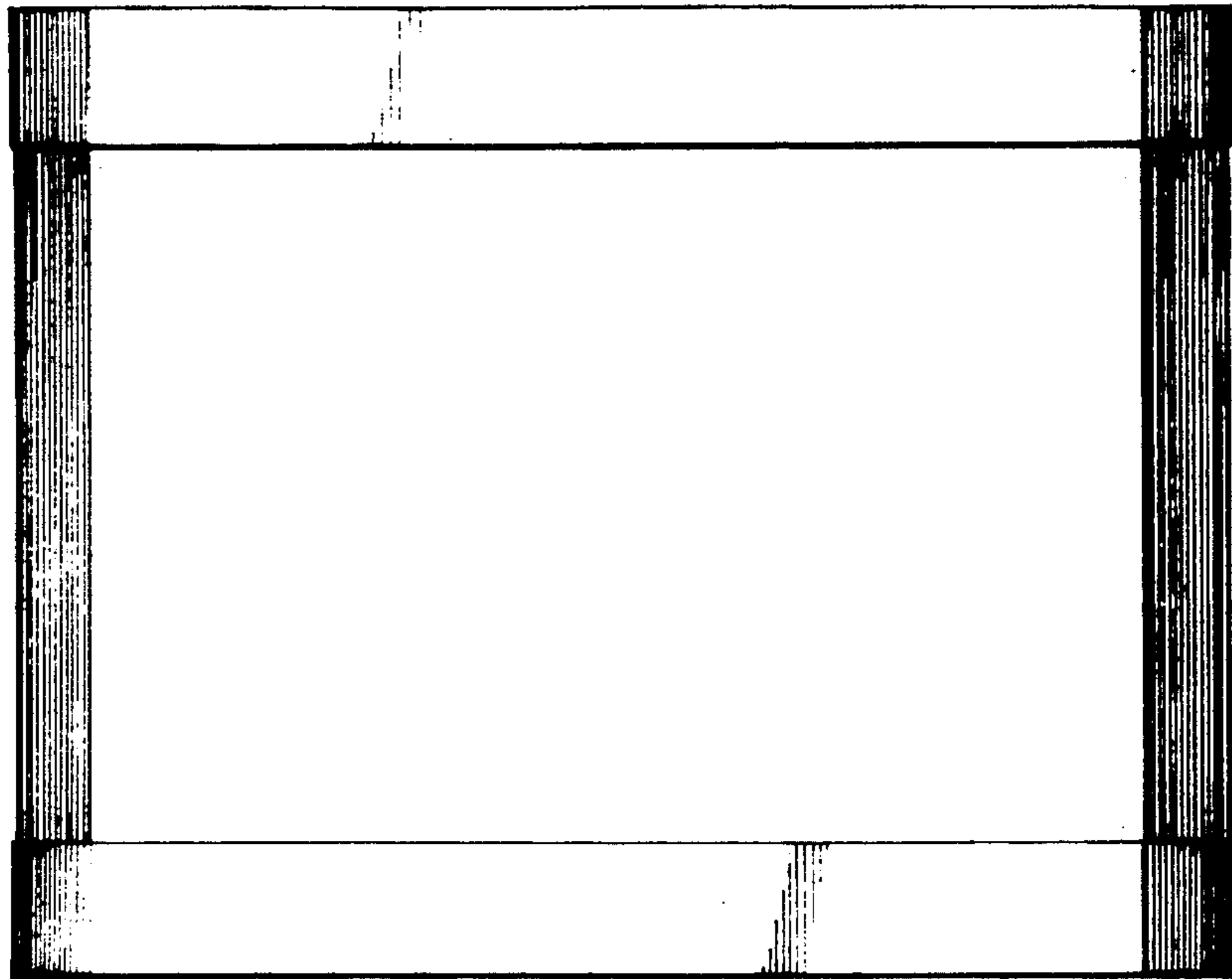


Fig. 3

Fig. 4

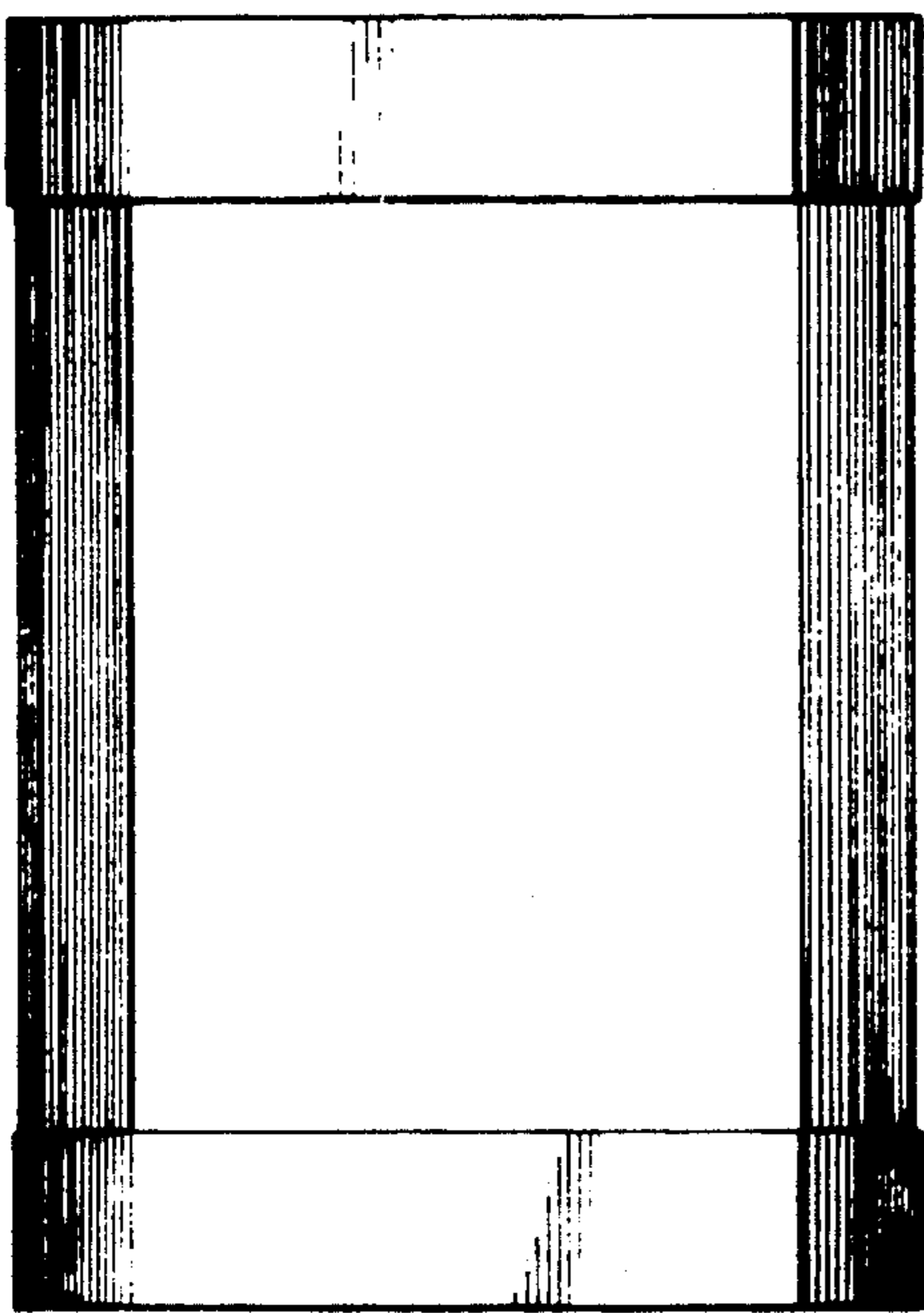
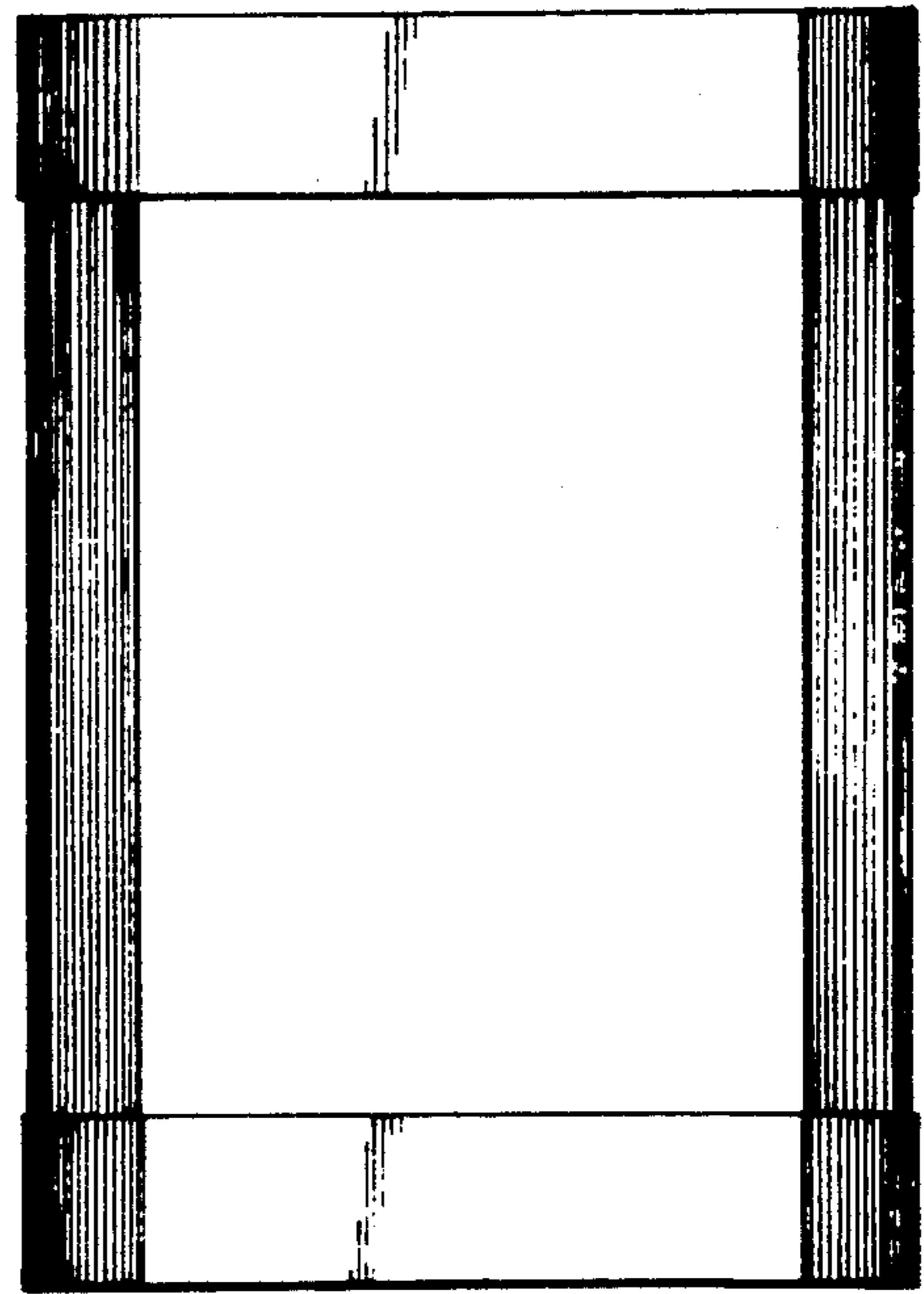


Fig. 5



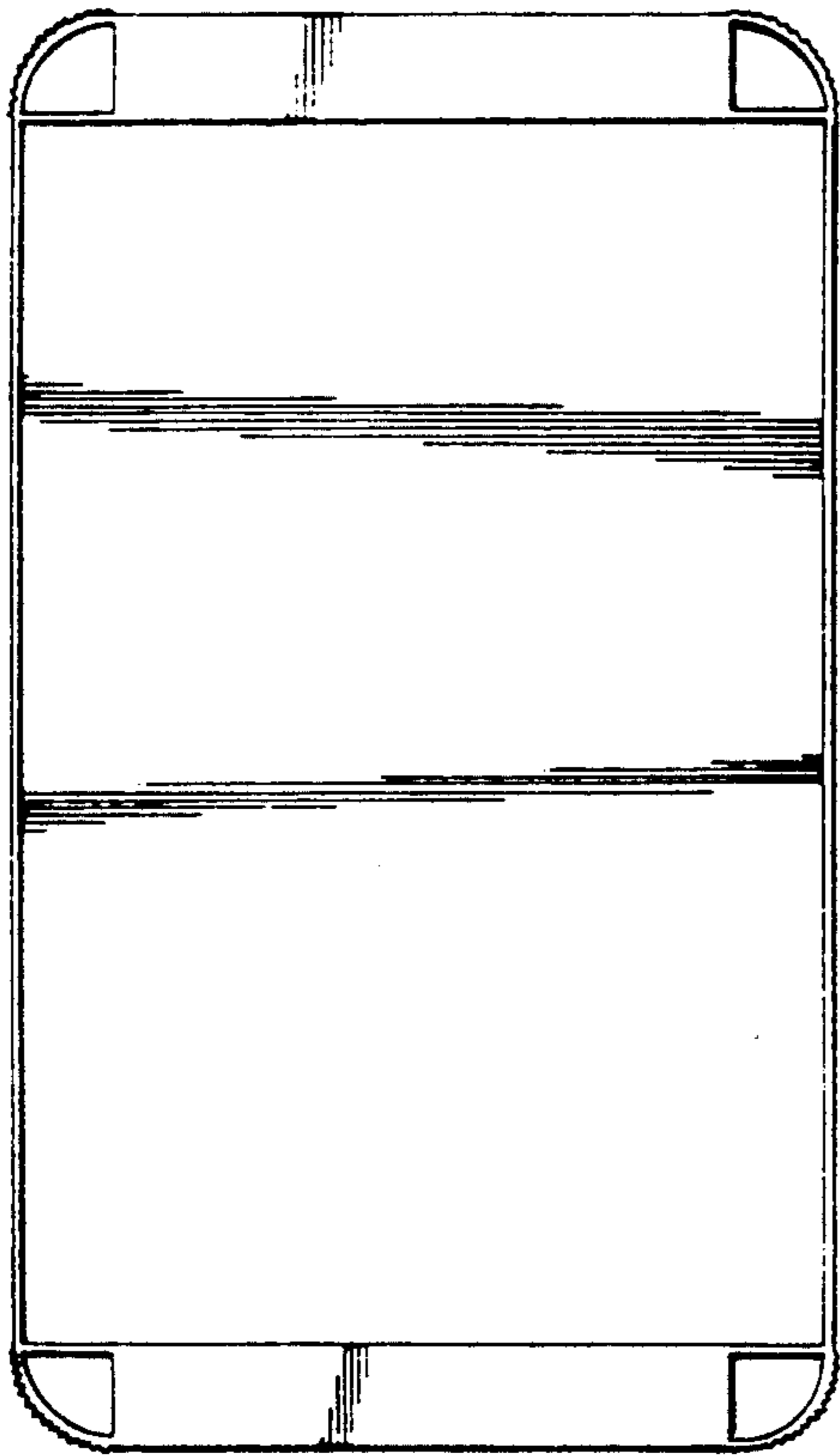


Fig. 6

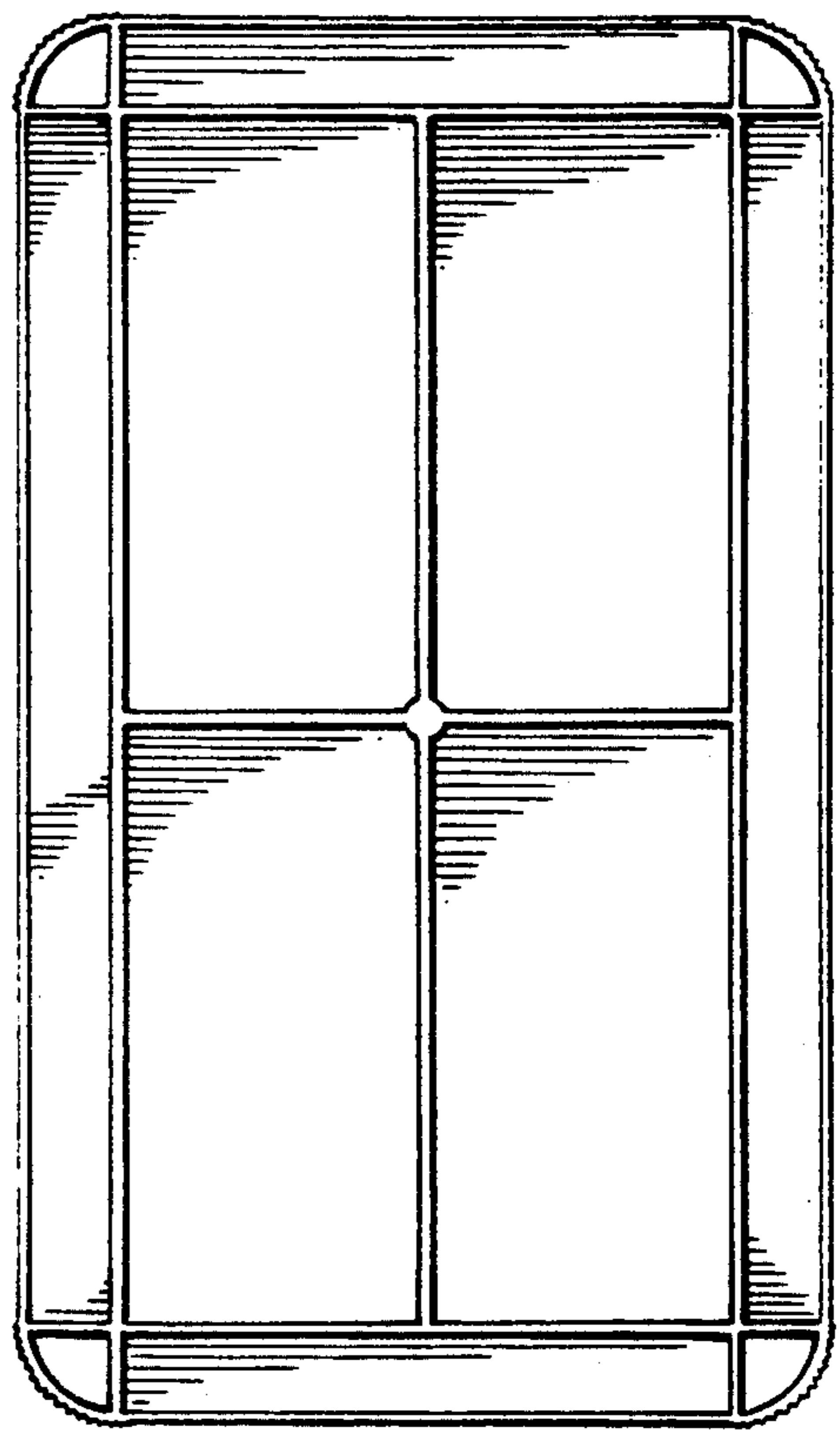


Fig. 7