



US00D325137S

United States Patent [19]

[11] Patent Number: **Des. 325,137**

Porter

[45] Date of Patent: **** Apr. 7, 1992**

[54] **SHELF UNIT**

1,374,633	4/1921	Boyle	108/111
3,964,810	6/1976	Murphy	108/111 X
4,351,244	9/1982	Suttles	211/187 X

[76] Inventor: **Michael J. Porter**, 3600 Park Avenue, #1901, Montreal, Quebec, Canada, H2X 3R2

[**] Term: **14 Years**

[21] Appl. No.: **215,940**

[22] Filed: **Jul. 6, 1988**

[52] U.S. Cl. **D6/479**

[58] Field of Search **D6/449, 468, 455, 461, D6/477, 478, 479, 450; 211/135, 186, 187; 108/111, 42, 144, 59, 91; 76/436, 489**

[56] **References Cited**

U.S. PATENT DOCUMENTS

D. 51,055	7/1917	Board	D6/461
D. 91,769	3/1934	Duval	D6/479
D. 120,904	6/1940	Beaver	D6/450
D. 304,398	11/1989	Goetz	D6/479

OTHER PUBLICATIONS

DIA Portfolio/Metal, item #12 p. B, 12/31/1980.

Primary Examiner—Bruce W. Dunkins

Assistant Examiner—Jeffrey Asch

Attorney, Agent, or Firm—George A. Seaby

[57] **CLAIM**

The ornamental design for a shelf unit, as shown.

DESCRIPTION

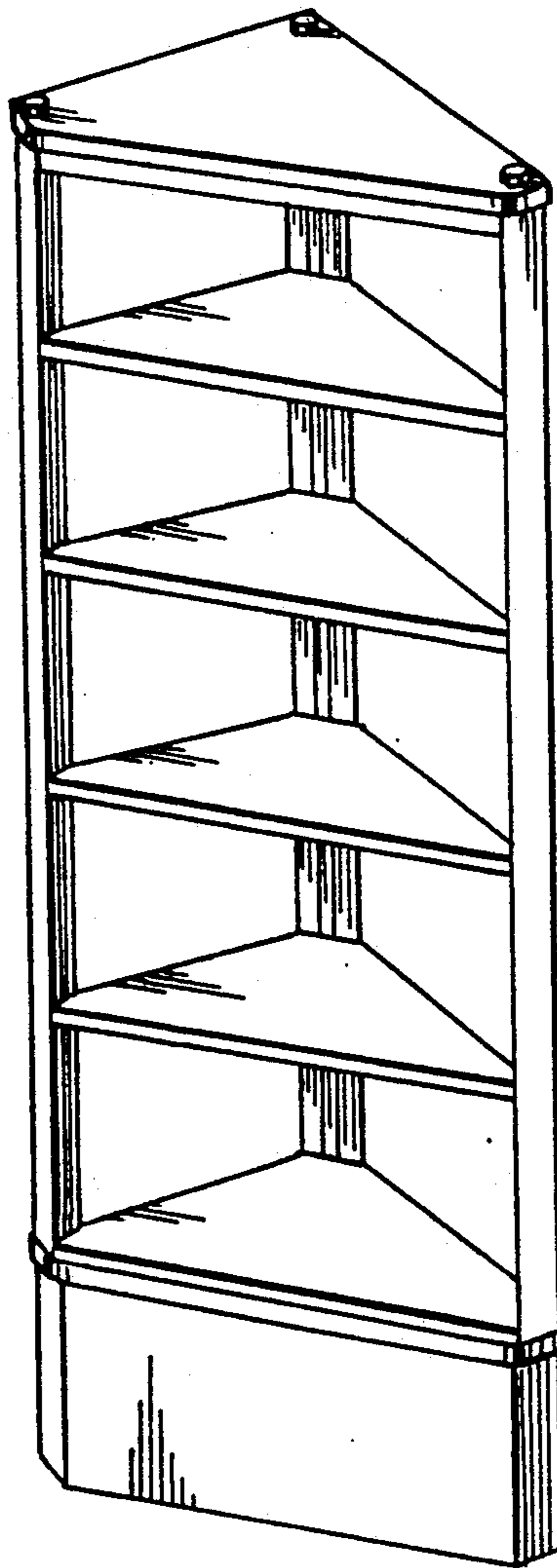
FIG. 1 is a front perspective view of a shelf unit showing my new design;

FIG. 2 is a top elevation view thereof;

FIG. 3 is a bottom elevational view thereof;

FIG. 4 is a rear elevational view thereof; and,

FIG. 5 is an enlarged sectional view showing one of the corner posts of the shelf unit in greater detail.



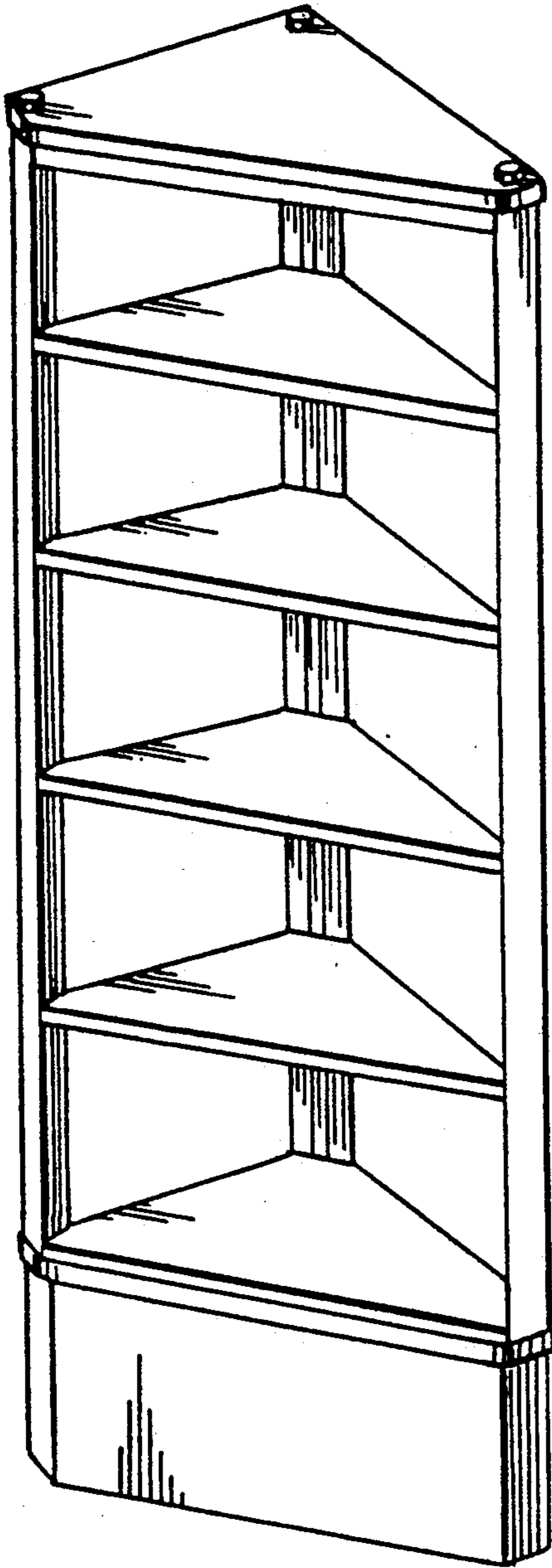


FIG. 1

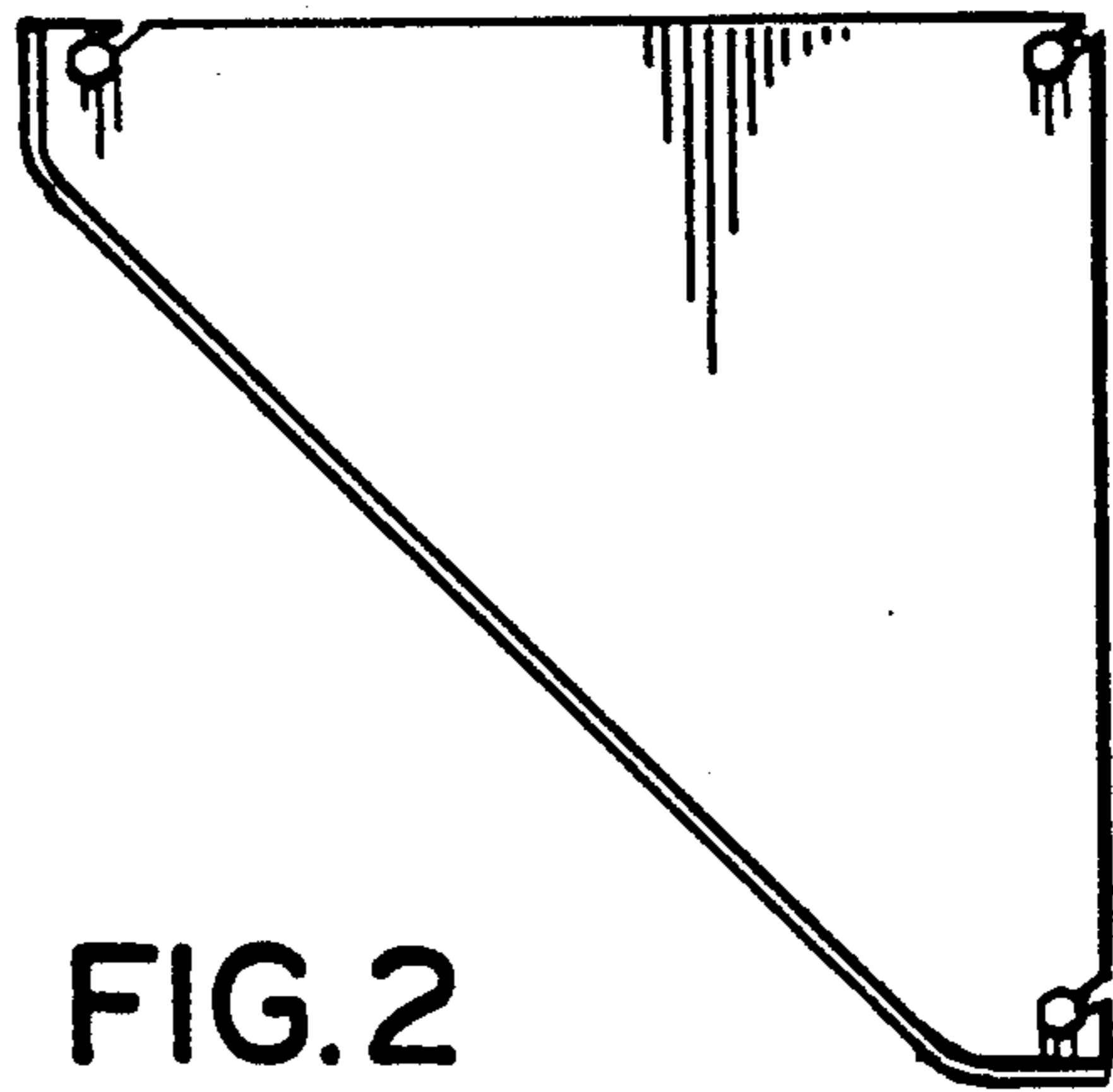


FIG. 2

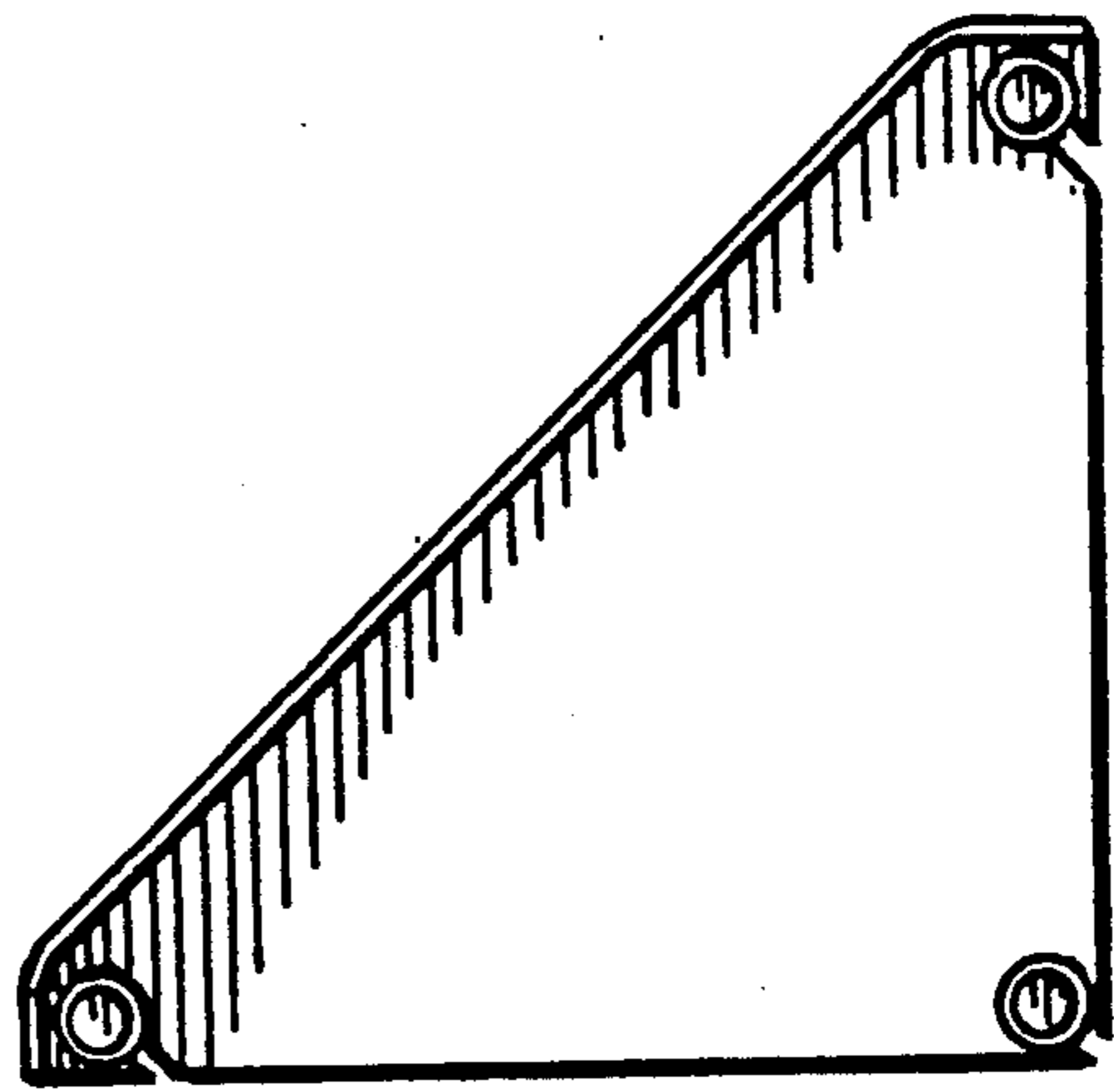


FIG. 3

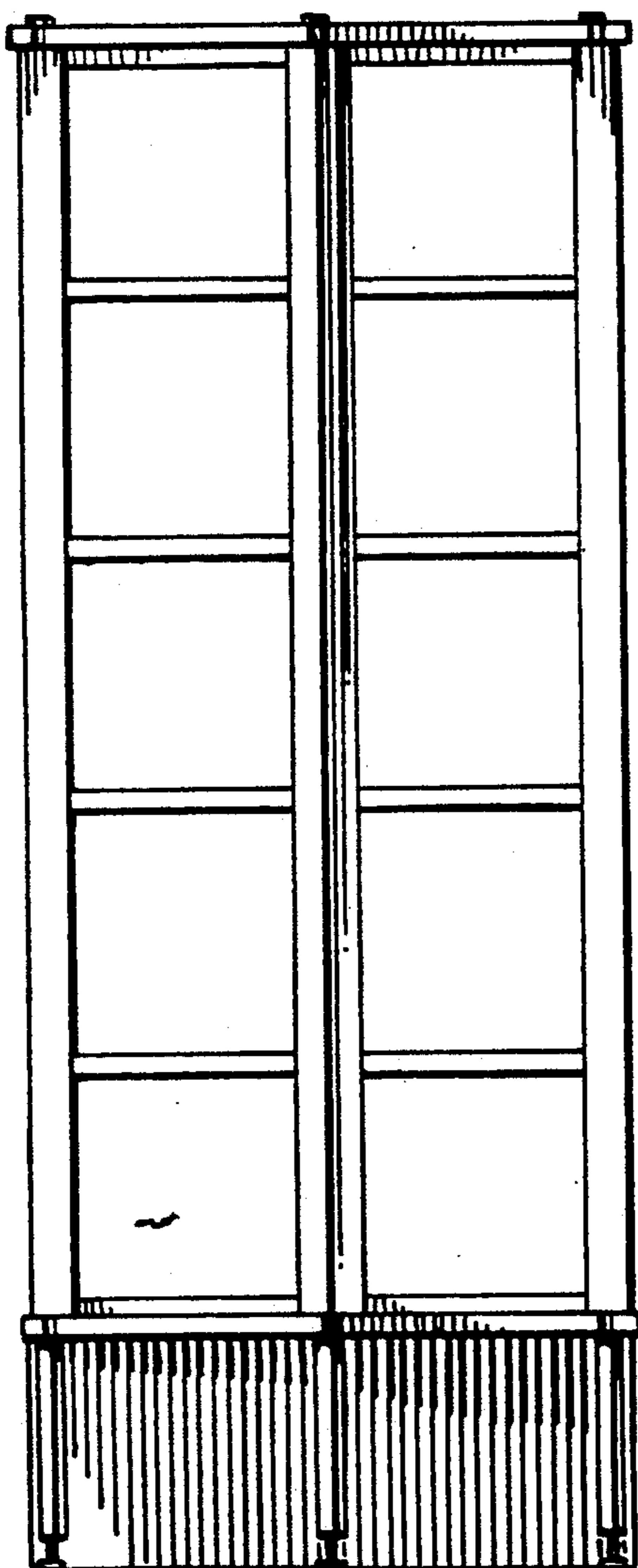


FIG. 4

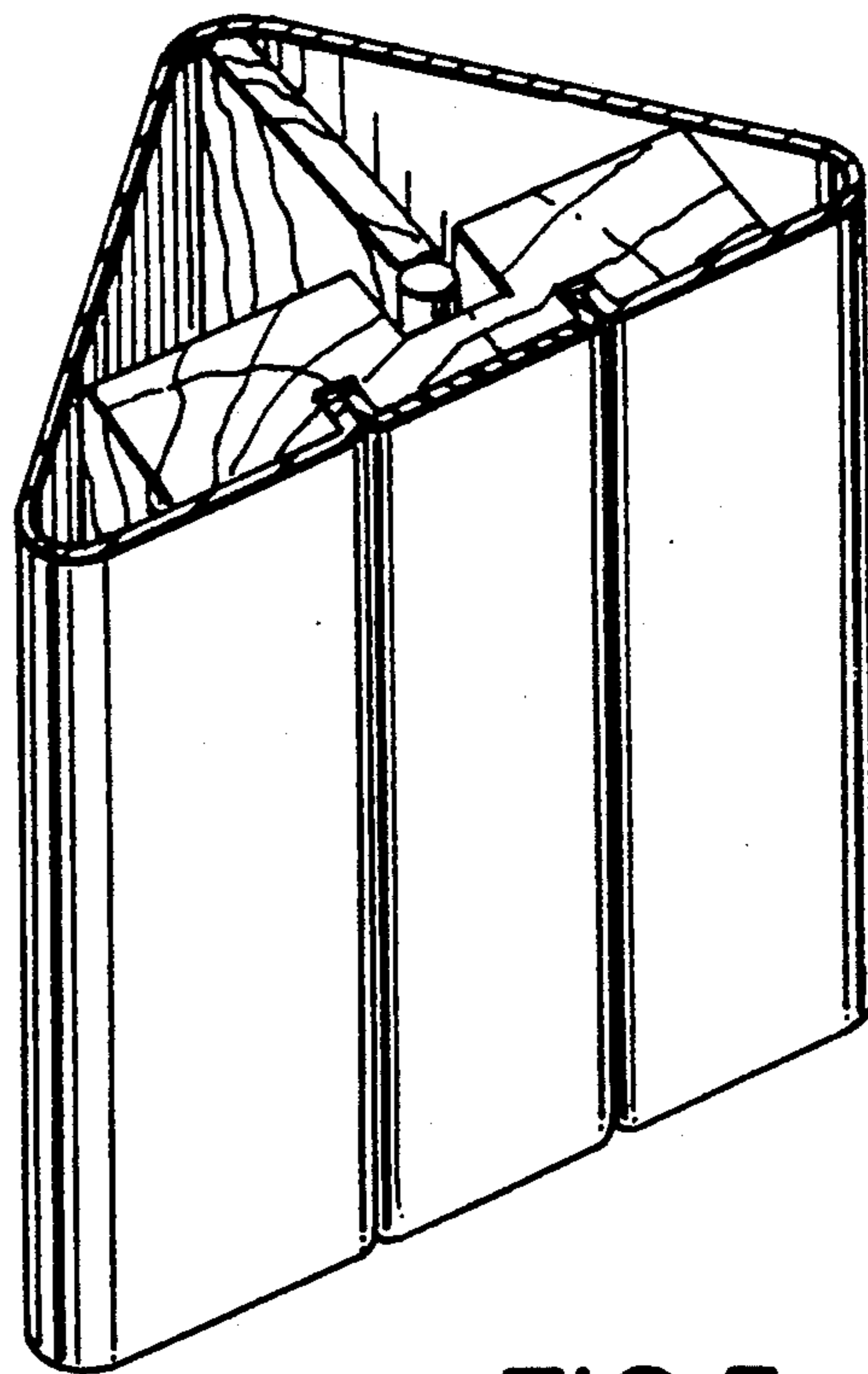


FIG. 5