



US00D325133S

United States Patent [19]

[11] Patent Number: **Des. 325,133**

Stravitz

[45] Date of Patent: **** Apr. 7, 1992**

[54] **RACK**

[76] Inventor: **David M. Stravitz, 16 Park Ave., Suite 14A, New York, N.Y. 10016**

[*] Notice: The portion of the term of this patent subsequent to Feb. 4, 2006 has been disclaimed.

[**] Term: **14 Years**

[21] Appl. No.: **555,143**

[22] Filed: **Jul. 18, 1990**

Related U.S. Application Data

[63] Continuation-in-part of Ser. No. 307,590, Feb. 7, 1989, Pat. No. Des. 322,724.

[52] U.S. Cl. **D6/407; D3/35; D6/429; D6/449; D6/473; D19/90**

[58] Field of Search **D6/449, 407, 422-428, D6/419, 417; 206/387, 45.23, 425; D3/35; 211/40, 41, 42, 43**

[56] References Cited

U.S. PATENT DOCUMENTS

- D. 191,790 11/1961 Schaefer D6/449
- D. 203,513 1/1966 Warren .
- D. 237,231 10/1975 Wells D6/449 X
- D. 240,421 7/1976 Rose D19/90 X
- D. 260,197 8/1981 Long et al. D3/35 X
- D. 283,472 4/1986 Wattles D6/473 X
- D. 283,568 4/1986 Valley D6/429

- D. 290,201 6/1987 Wilder D6/407 X
- D. 309,998 4/1990 Sumrell et al. D6/407 X

FOREIGN PATENT DOCUMENTS

1274556 9/1961 France .

OTHER PUBLICATIONS

Home Furnishings Daily, Sep. 4, 1958, p. 34, "Record Holder".

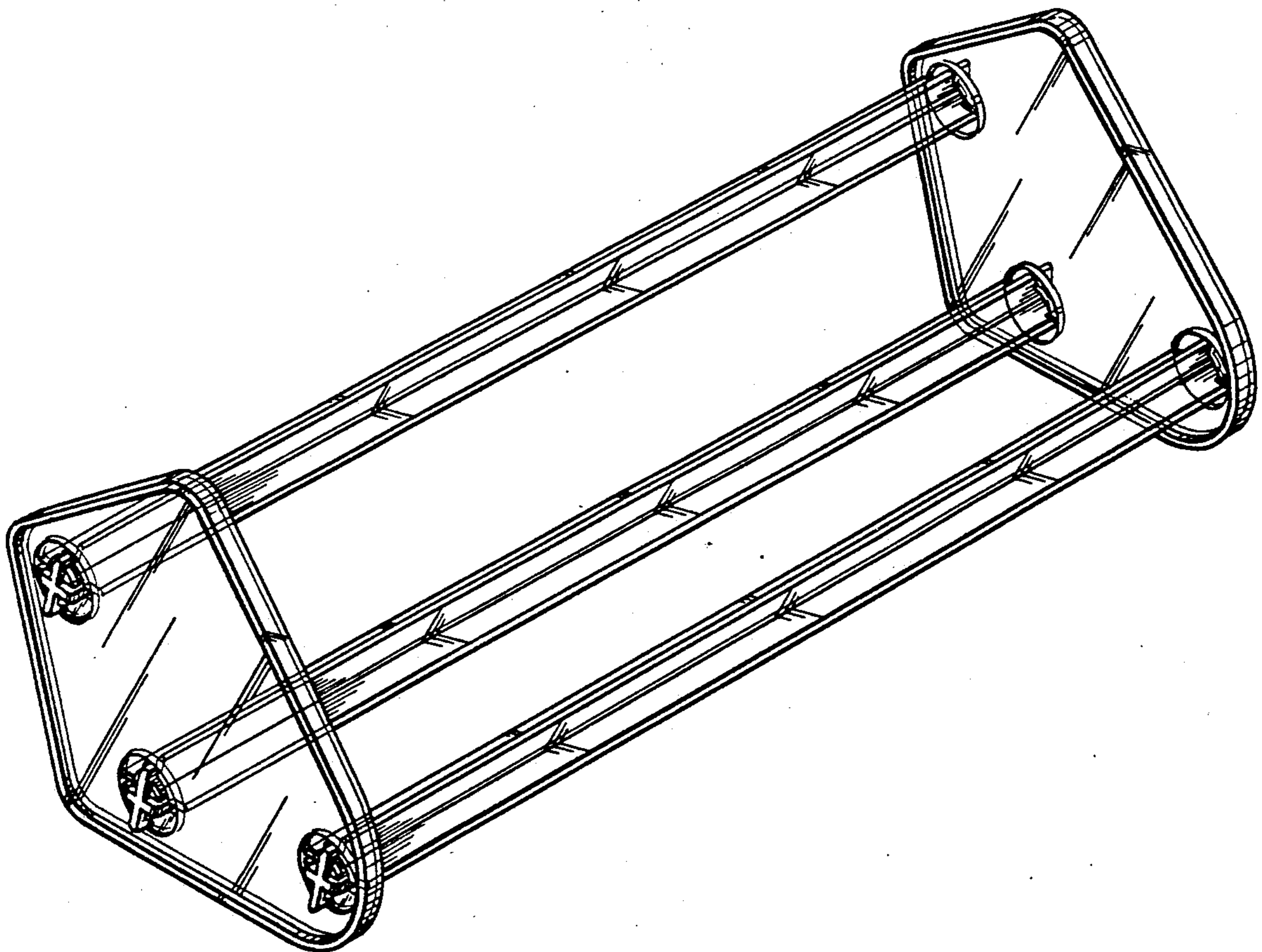
Primary Examiner—Donald P. Walsh
Assistant Examiner—Monica A. Hannon
Attorney, Agent, or Firm—Frishauf, Holtz, Goodman & Woodward

[57] CLAIM

The ornamental design for rack, as shown and described.

DESCRIPTION

FIG. 1 is a perspective view of a rack showing my new design;
 FIG. 2 is a top plan view thereof;
 FIG. 3 is a front elevational view thereof;
 FIG. 4 is a bottom view thereof;
 FIG. 5 is a rear elevation view thereof;
 FIG. 6 is a left end view thereof, the right end view being a mirror image;
 FIG. 7 is a detail section per line 7—7 of FIG. 3; and,
 FIG. 8 is a detail section per line 8—8 of FIG. 6.



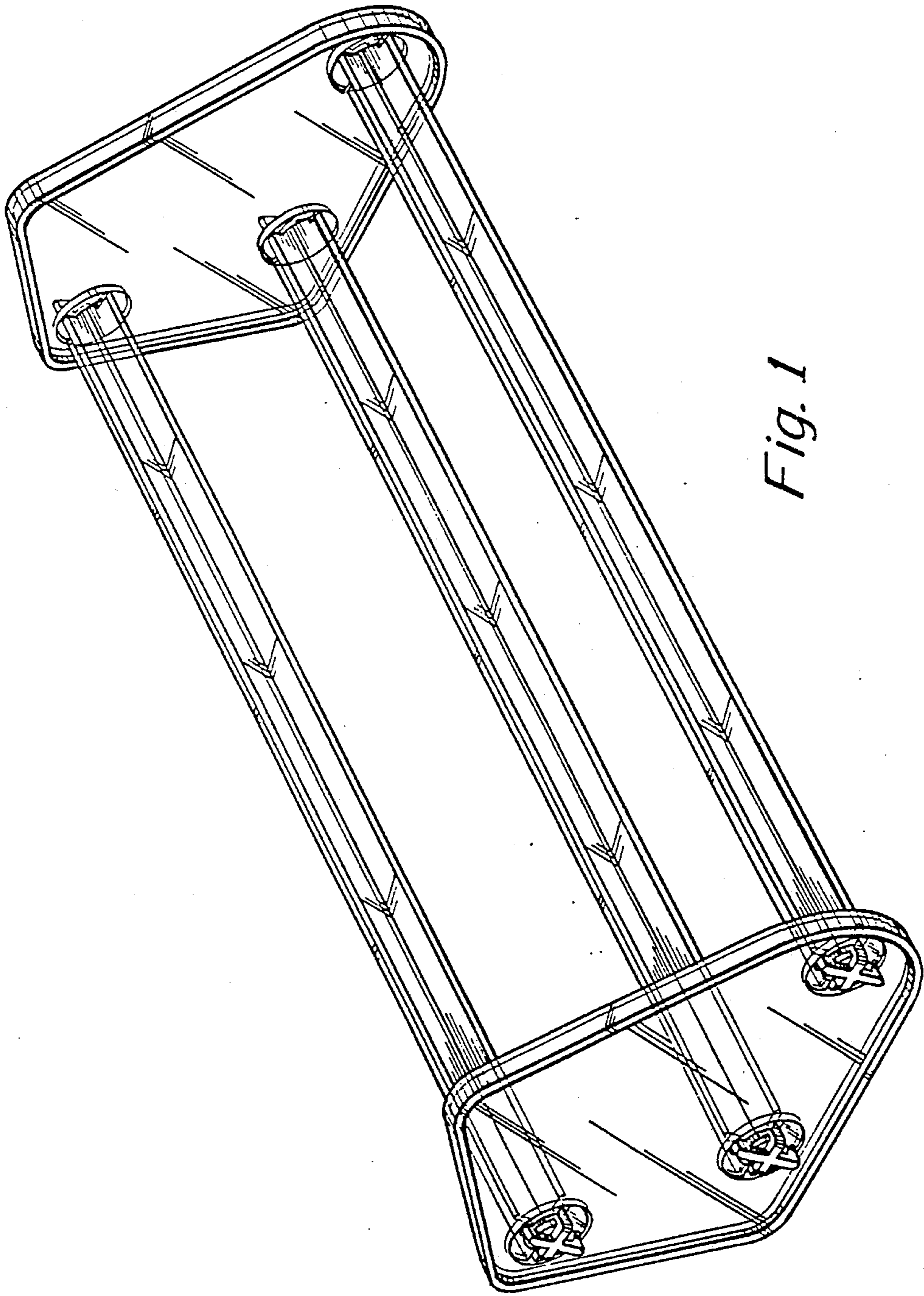


Fig. 1

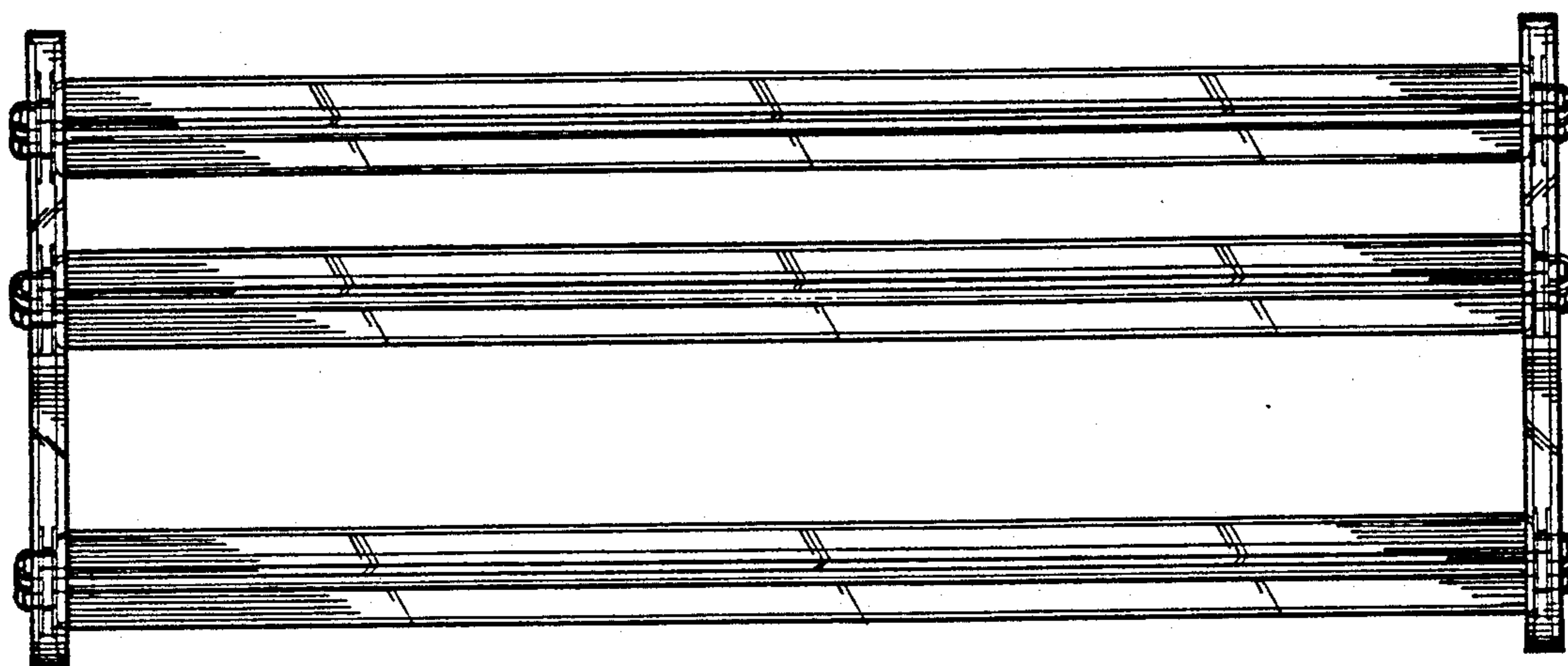


Fig. 2

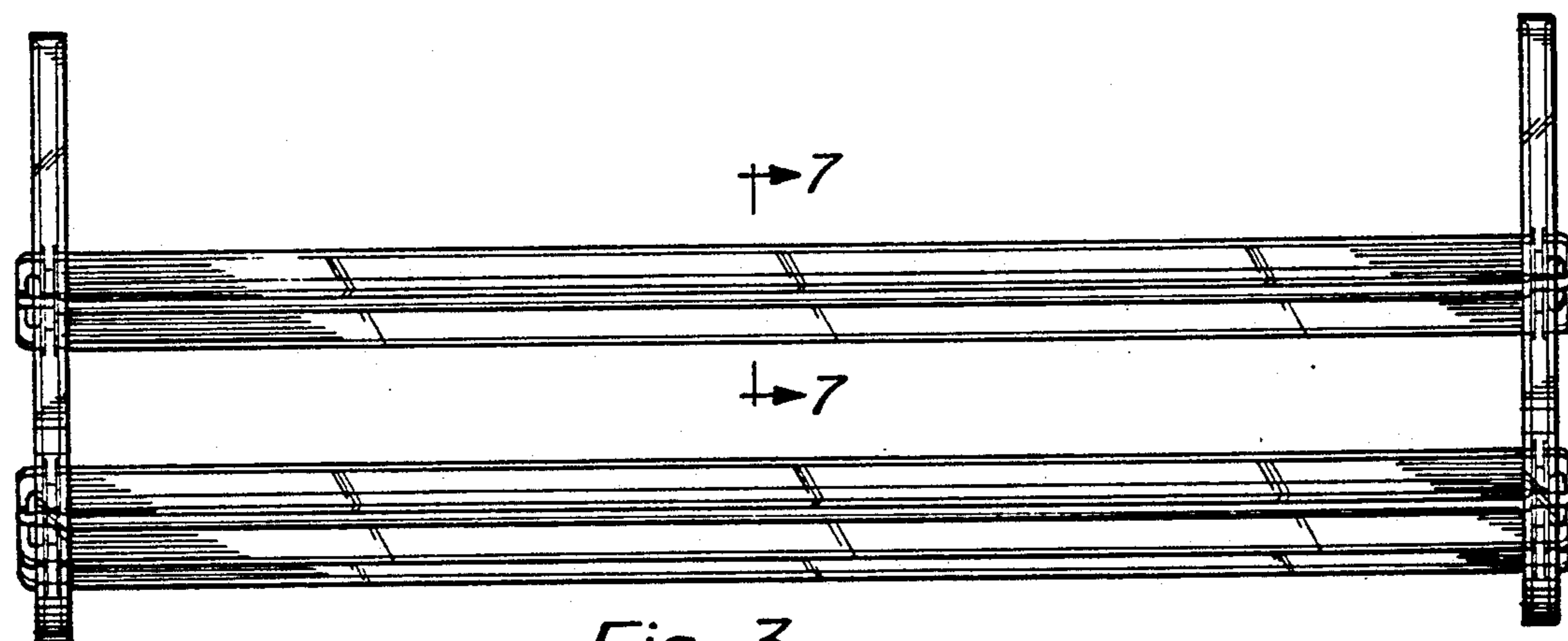


Fig. 3

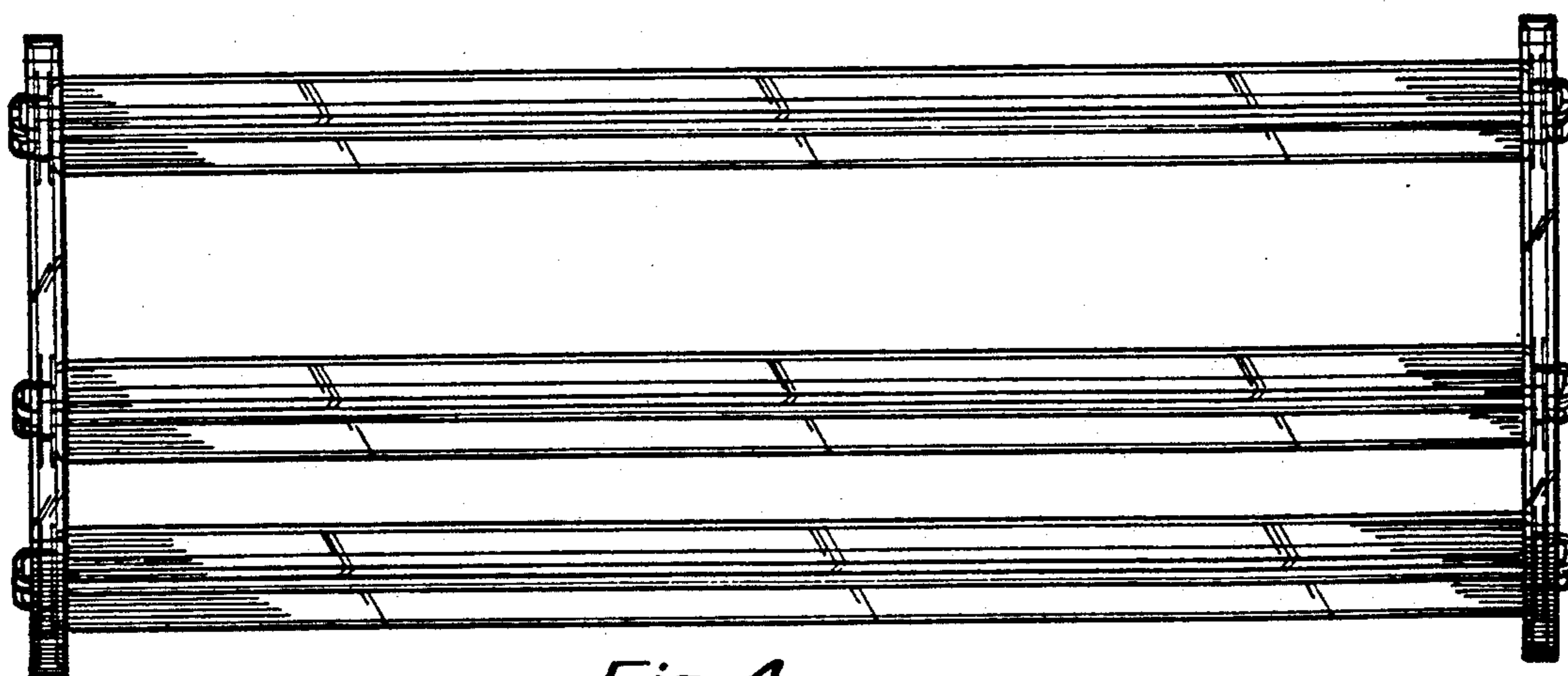


Fig. 4

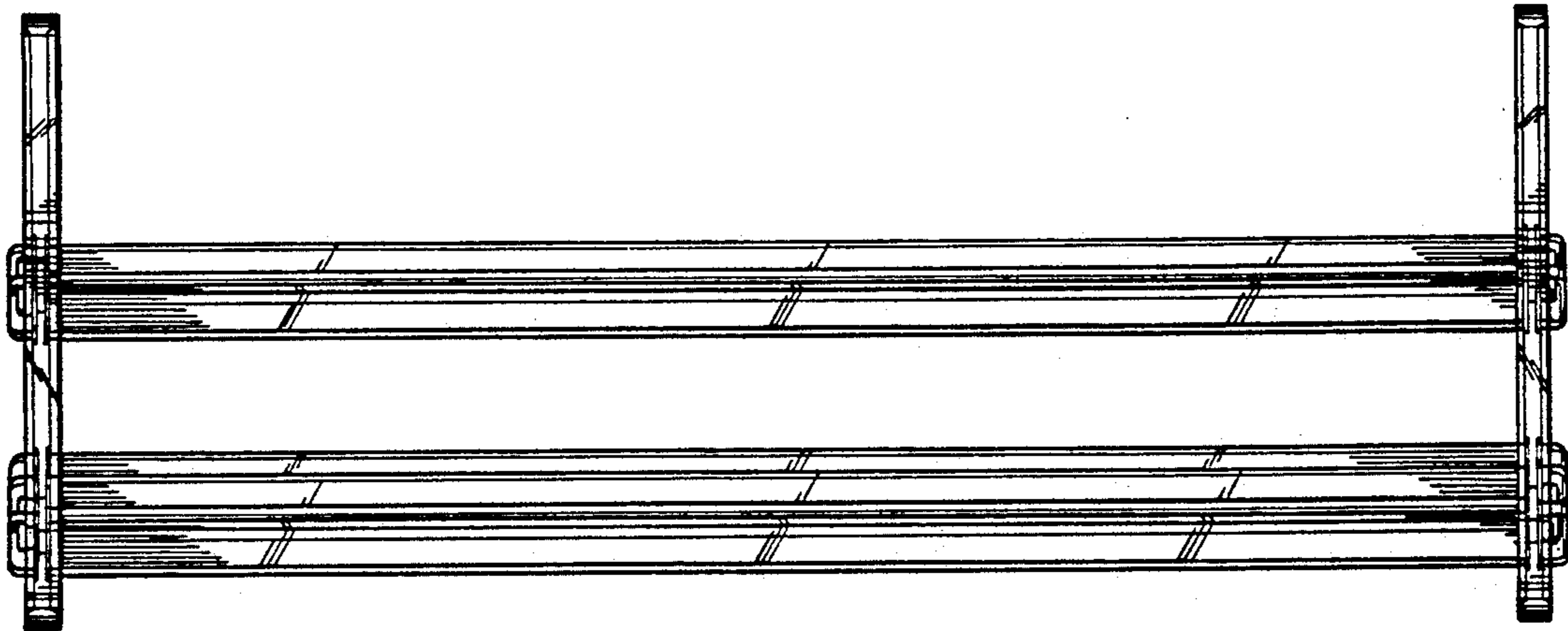


Fig. 5

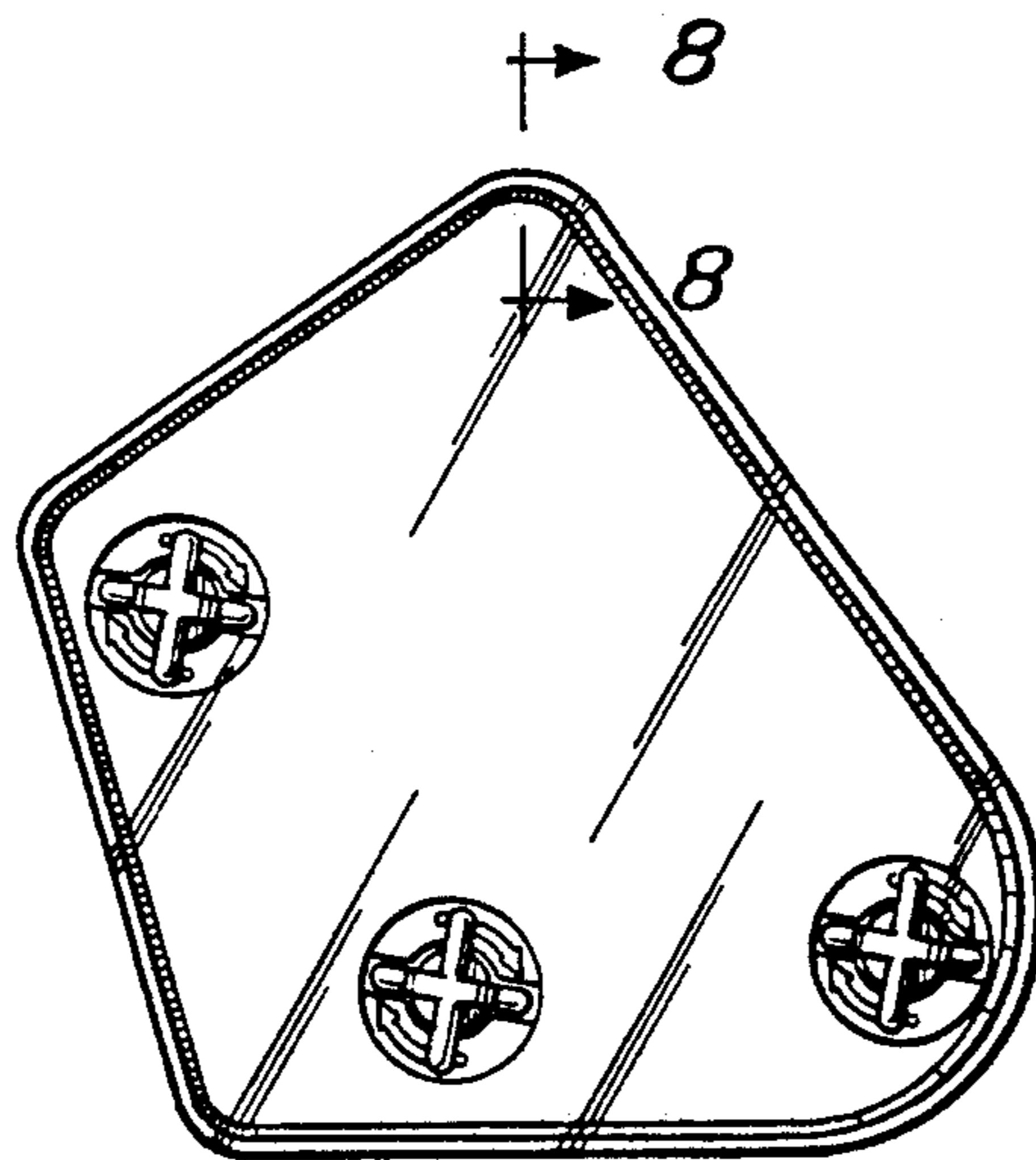


Fig. 6

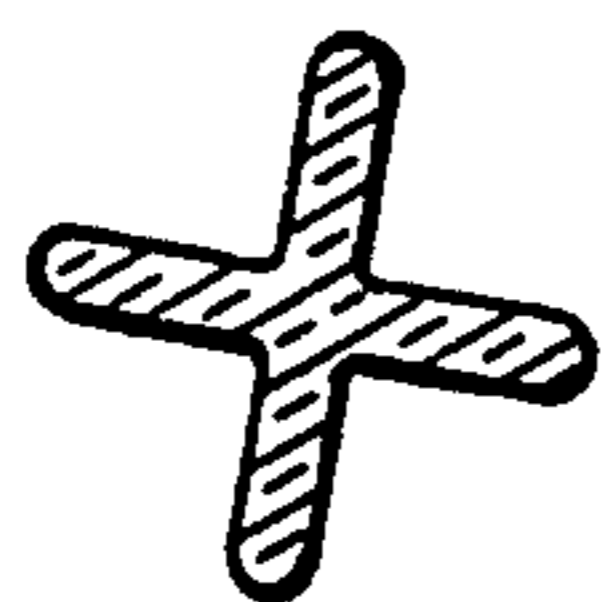


Fig. 7



Fig. 8

UNITED STATES PATENT AND TRADEMARK OFFICE
CERTIFICATE OF CORRECTION

PATENT NO. : DES.325,133
DATED : April 7, 1992
INVENTOR(S) : David M. Stravitz

It is certified that error appears in the above-identified patent and that said Letters Patent is hereby corrected as shown below:

Title page, Section [56] References Cited, insert the following references as indicated below:

Under "U.S. PATENT DOCUMENTS" -

757,712	4/1904	Arnold
3,179,367	4/1965	Rapata
3,600,735	1/1970	Jerabek
4,162,013	7/1979	Tucker

Under "FOREIGN PATENT DOCUMENTS" -

261,537	11/1925	England
627,398	9/1947	England

Signed and Sealed this
Thirty-first Day of August, 1993



Attest:

BRUCE LEHMAN

Attesting Officer

Commissioner of Patents and Trademarks