



US00D325123S

# United States Patent [19]

[11] Patent Number: **Des. 325,123**

**Tiramani**

[45] Date of Patent: **\*\* Apr. 7, 1992**

[54] **COSMETIC CASE**

[76] Inventor: **Paolo M. B. Tiramani, 305 Second Ave., New York, N.Y. 10001**

[\*\*] Term: **14 Years**

[21] Appl. No.: **410,226**

[22] Filed: **Sep. 21, 1989**

[52] U.S. Cl. .... **D3/39**

[58] Field of Search ..... **D3/30.1, 39, 72-75, D3/76, 99; 206/581, 235, 373, 315.11, 235, 823; 190/100, 109, 115**

D. 284,424 7/1986 Gotlib et al. .... D3/39  
1,591,515 7/1926 Diskin ..... 206/581 X  
4,717,024 1/1988 Djezovic ..... 206/581

*Primary Examiner—Wallace R. Burke*

*Assistant Examiner—Pam Schmidt*

[57] **CLAIM**

The ornamental design for a cosmetic case, as shown and described.

**DESCRIPTION**

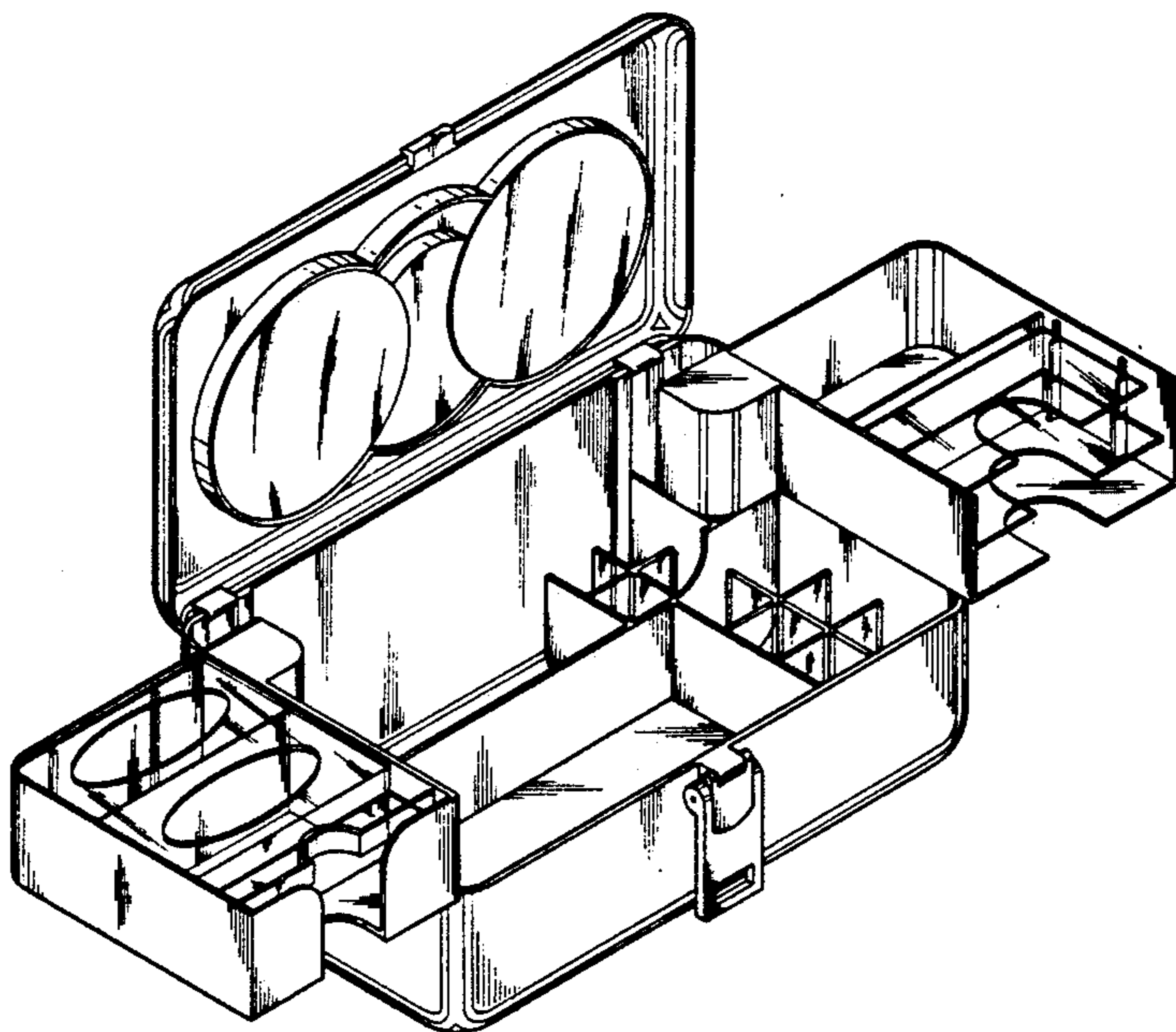
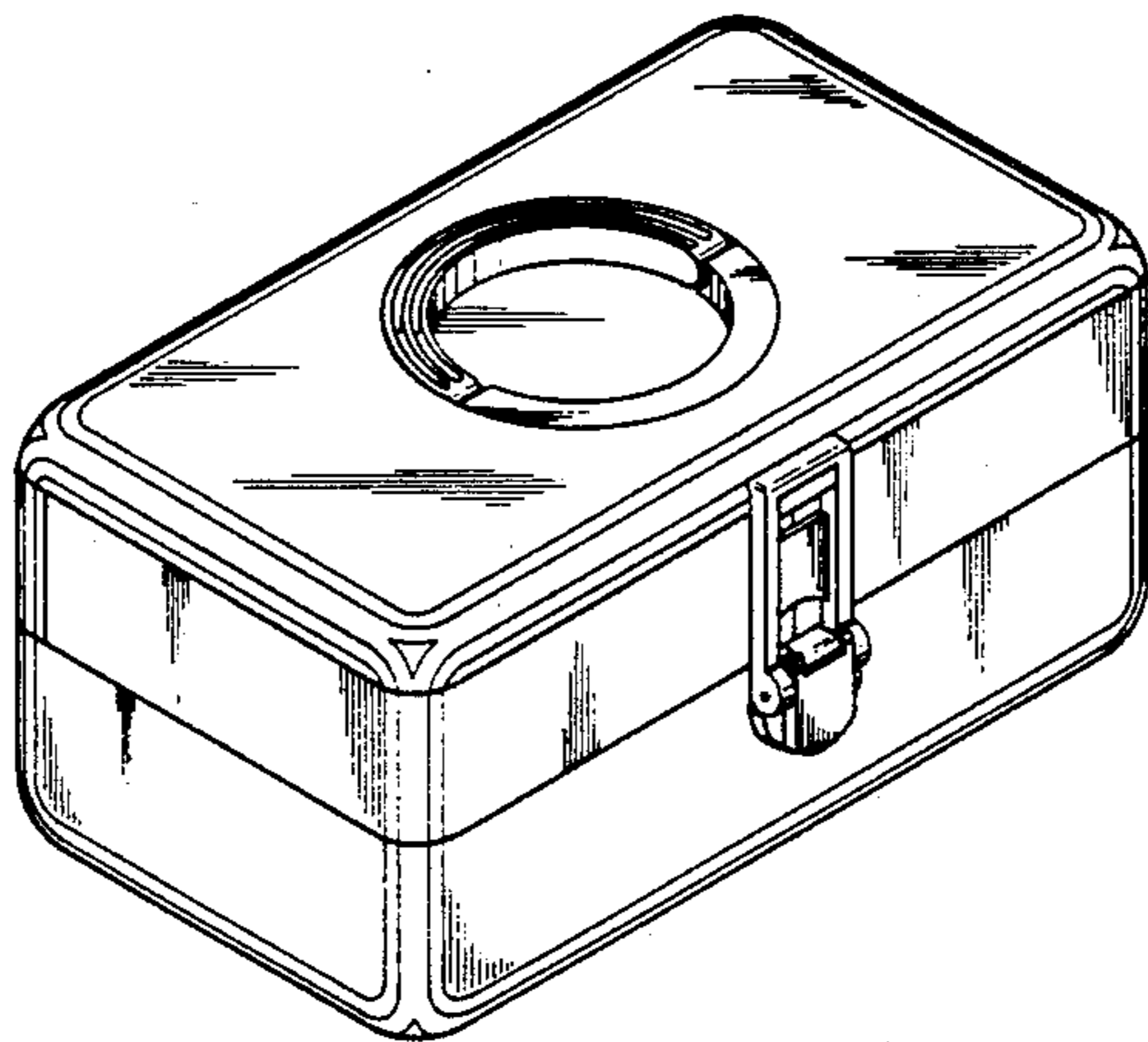
FIG. 1 is a top perspective view of a cosmetic case showing my new design;  
FIG. 2 is a top plan view thereof;  
FIG. 3 is a front elevational view thereof;  
FIG. 4 is a bottom plan view thereof;  
FIG. 5 is a rear elevational view thereof;  
FIG. 6 is a left side elevational view thereof;  
FIG. 7 is a right side elevational view thereof; and,  
FIG. 8 is a top perspective view thereof, in a fully opened position.

[56]

**References Cited**

**U.S. PATENT DOCUMENTS**

D. 106,124 9/1937 Pratt ..... D3/72  
D. 152,246 1/1949 Federico ..... D3/72  
D. 178,950 10/1956 Berry ..... D3/75 X  
D. 203,145 12/1965 Arbib ..... D3/39  
D. 281,915 12/1985 Sussman ..... D3/39 X



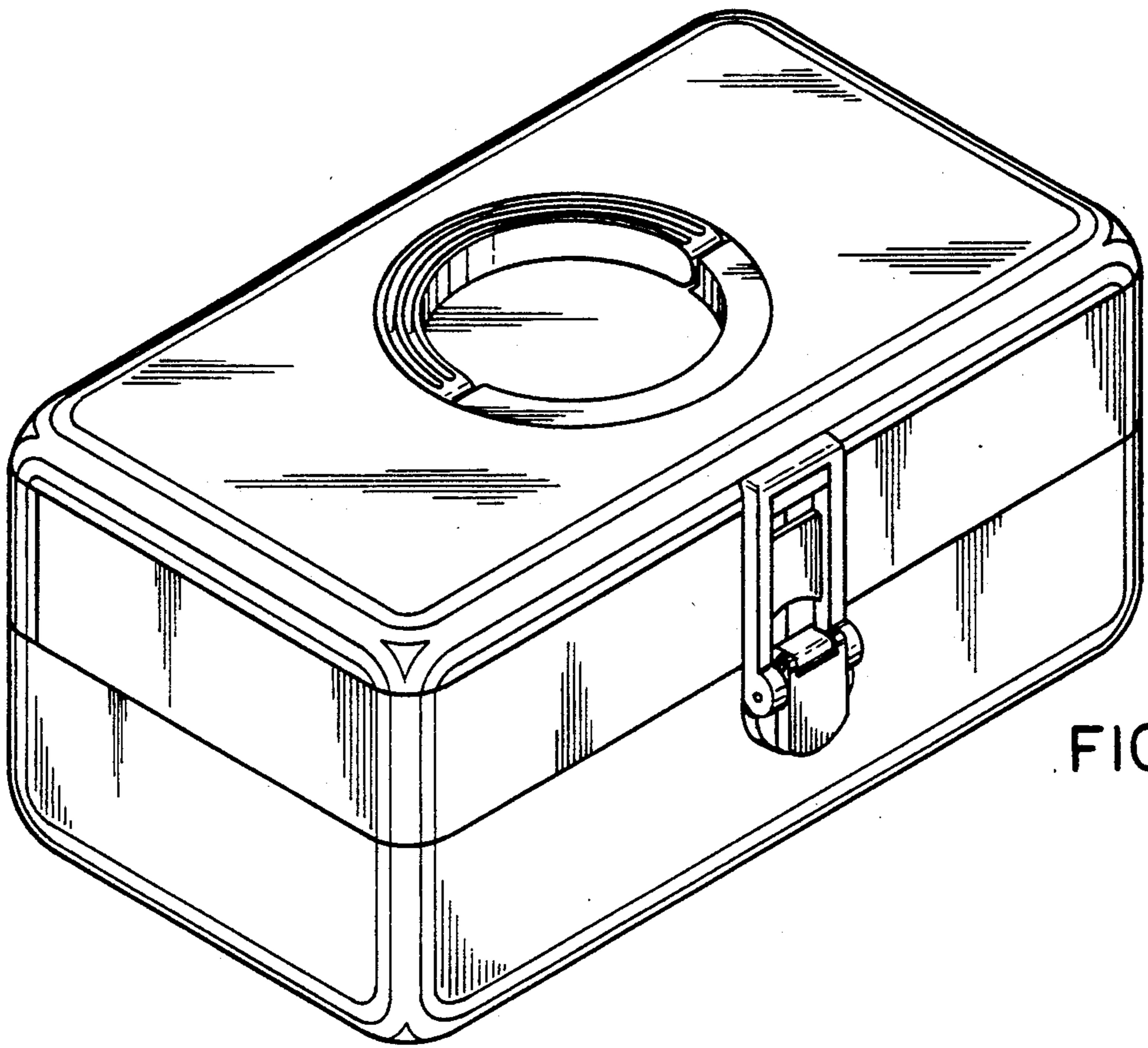


FIG. 1

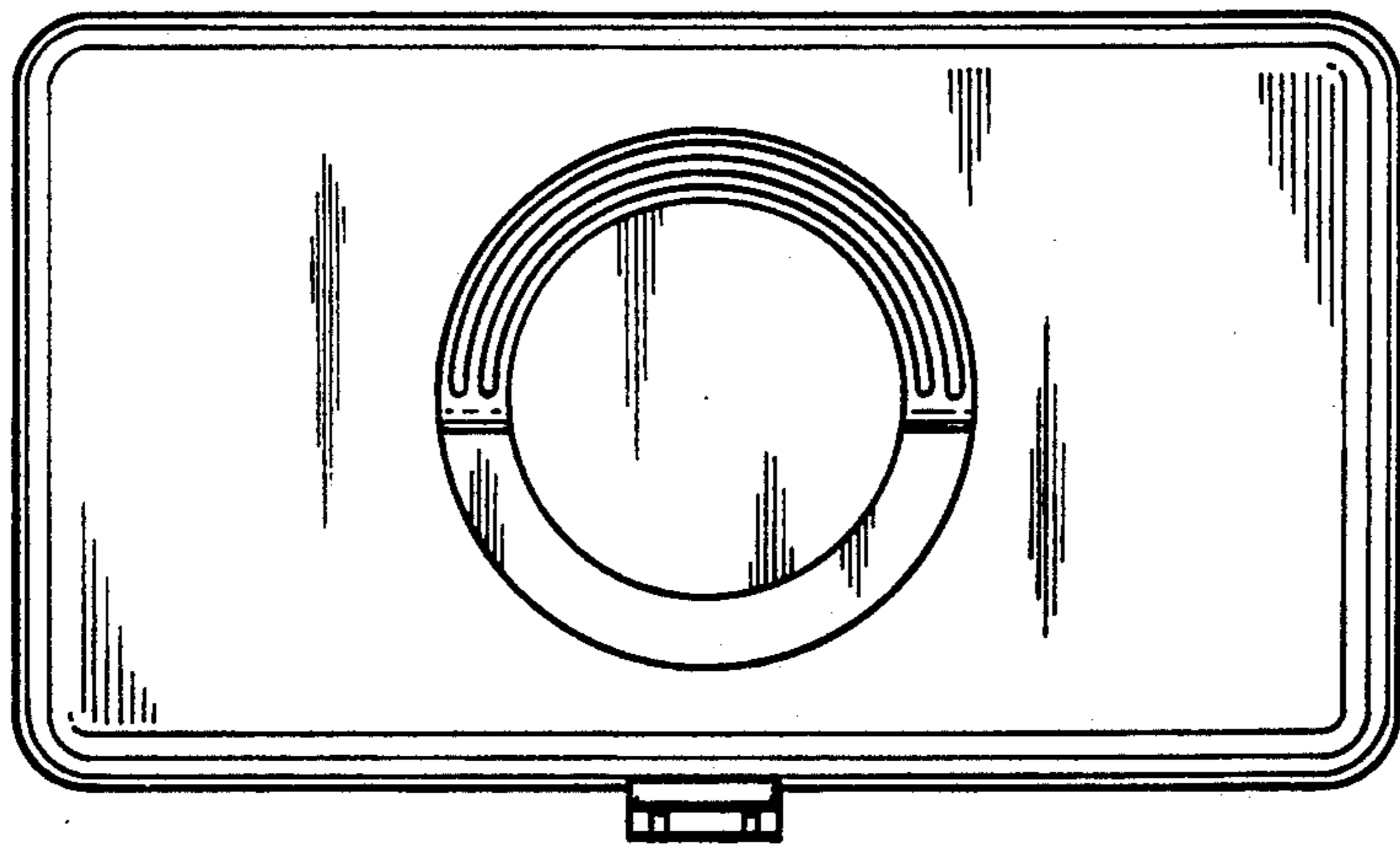


FIG. 2

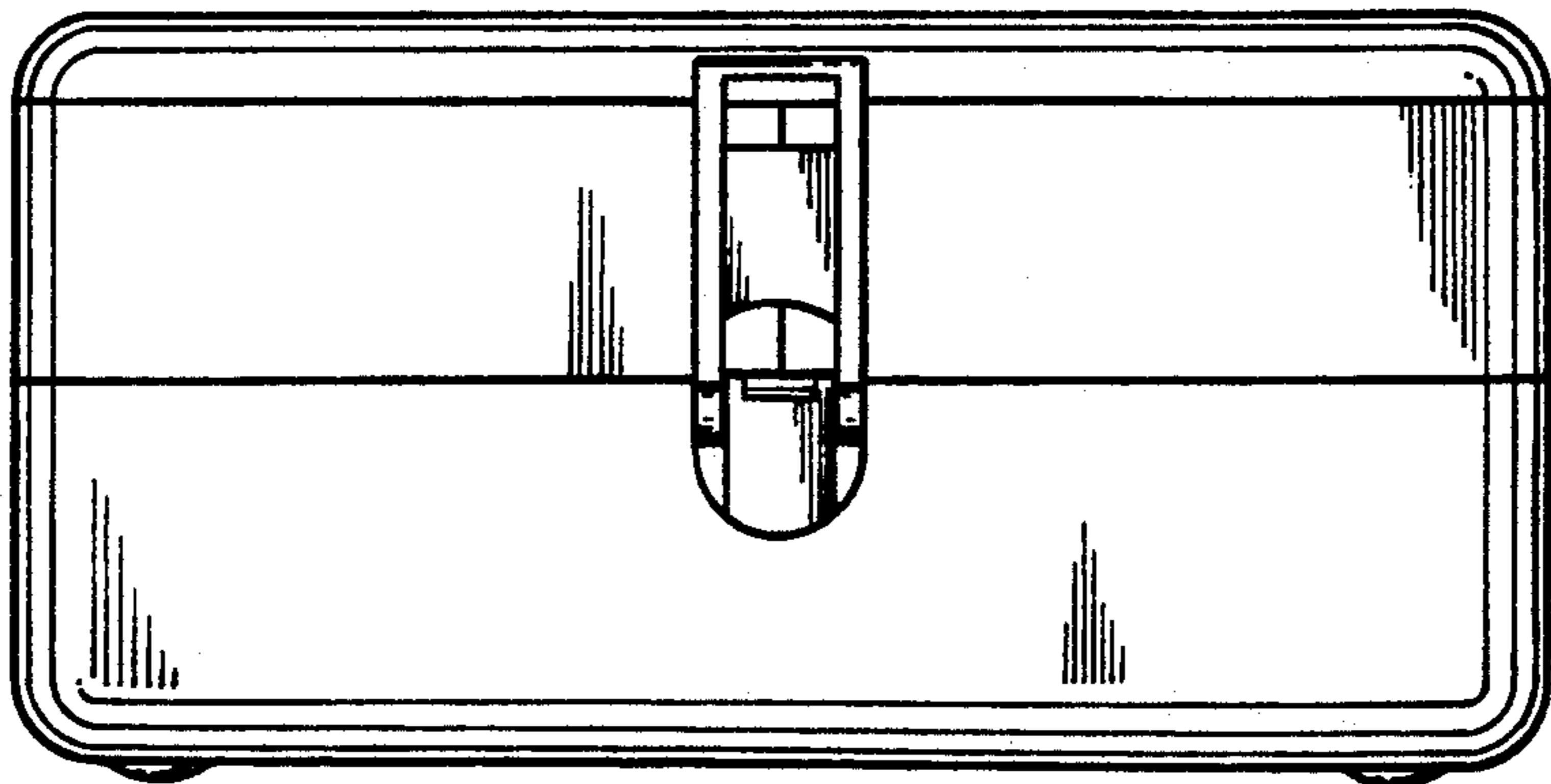


FIG. 3

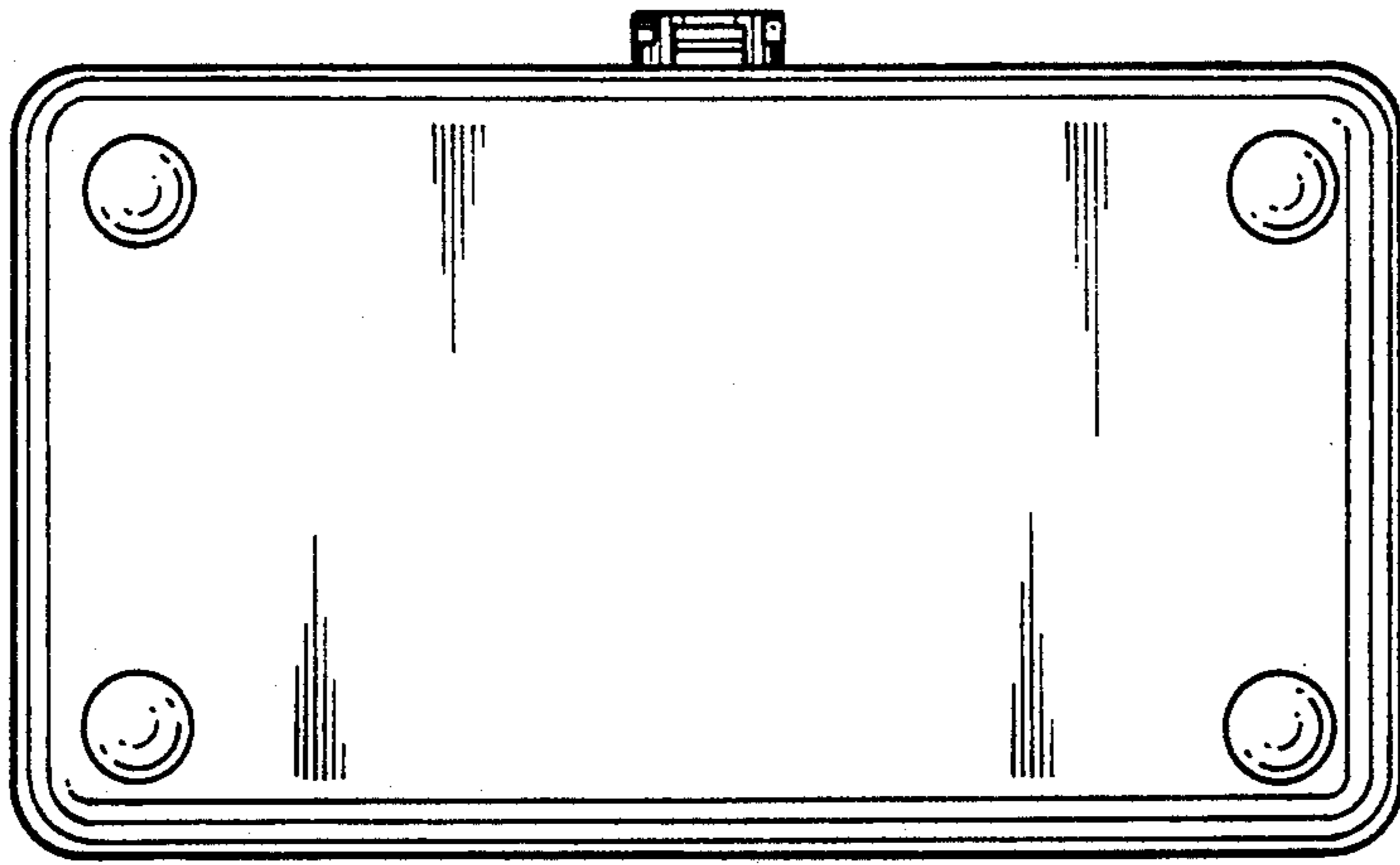


FIG.4

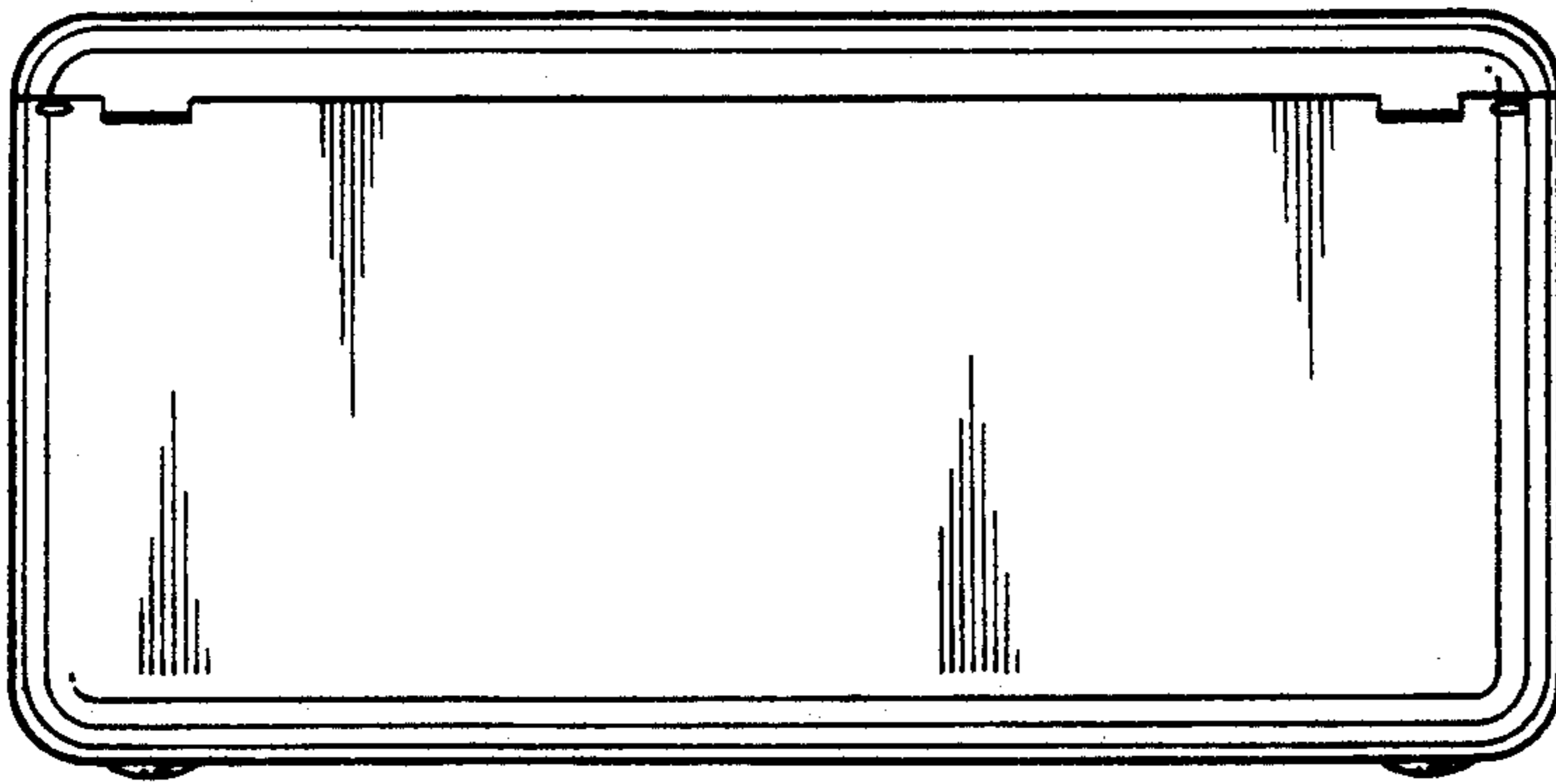


FIG.5

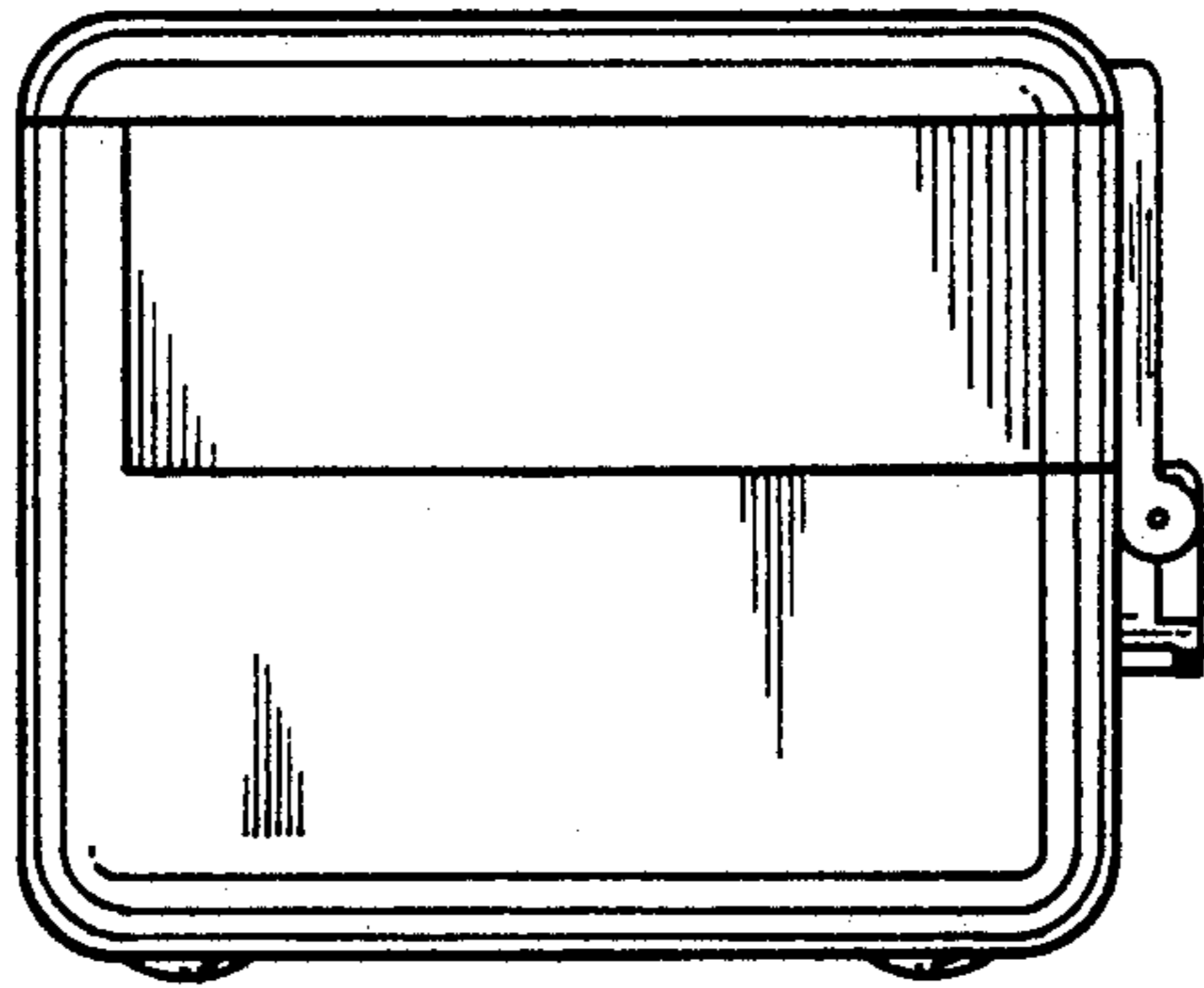


FIG.6

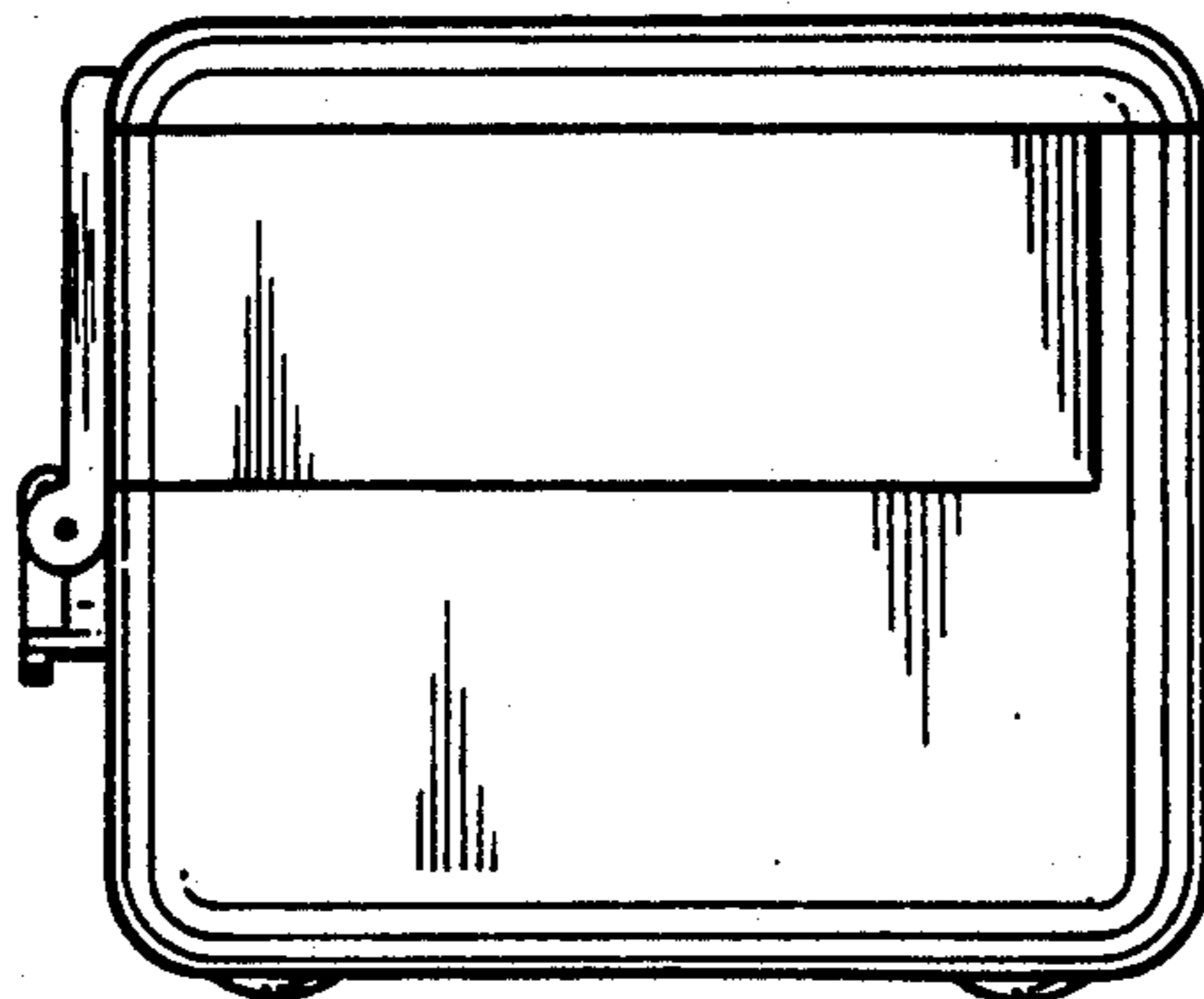


FIG.7

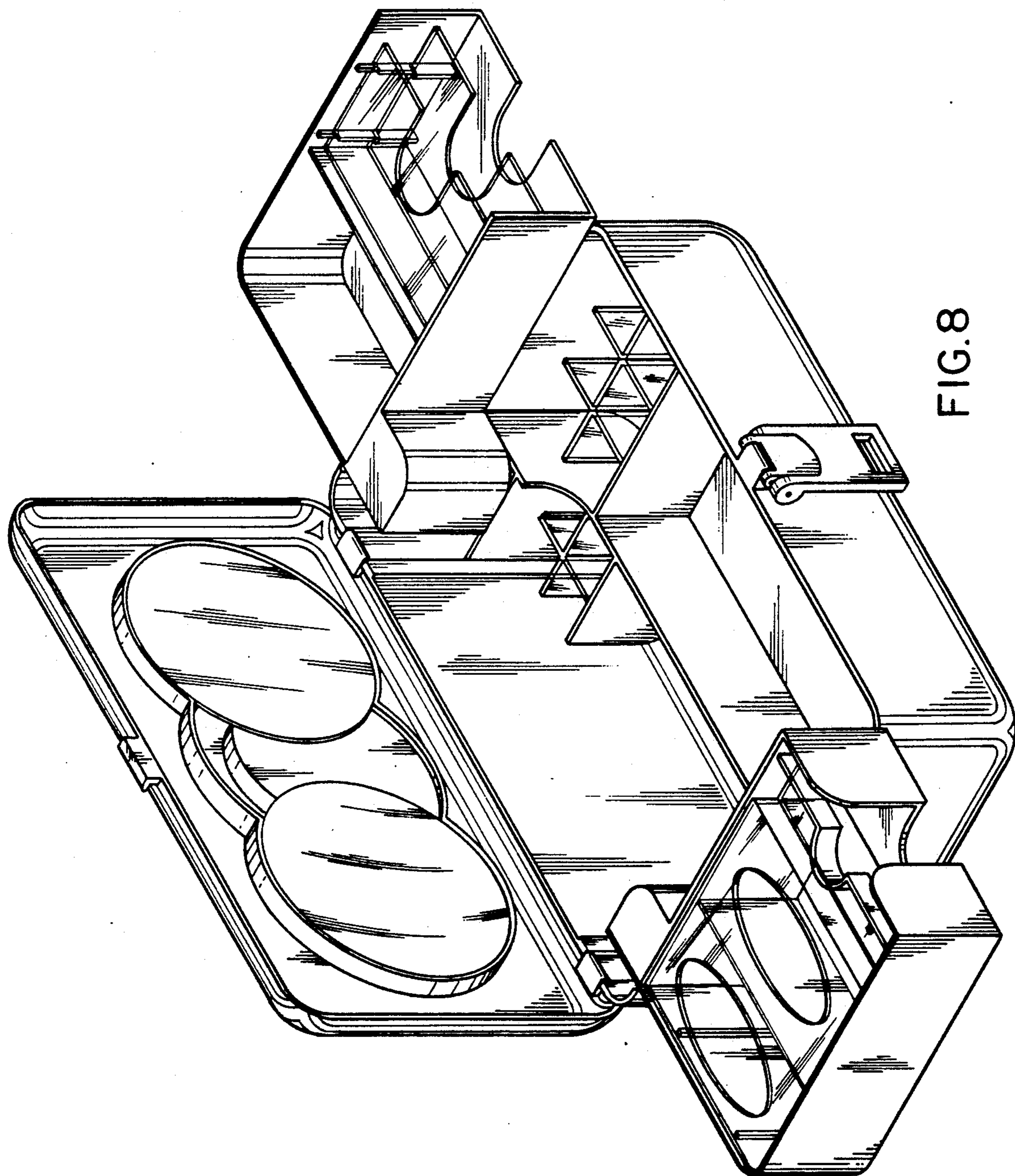


FIG.8