



US00D325122S

United States Patent [19]

Meyers

[11] Patent Number: **Des. 325,122**

[45] Date of Patent: **** Apr. 7, 1992**

[54] **FISHING TACKLE BOX**

[75] Inventor: **Wayne E. Meyers, Batavia, Ill.**

[73] Assignee: **Evergreen Partners, Ltd., St. Charles, Ill.**

[**] Term: **14 Years**

[21] Appl. No.: **541,350**

[22] Filed: **Jun. 21, 1990**

[52] U.S. Cl. **D3/38; D3/30.1; D3/36**

[58] Field of Search **D3/73, 78, 74, 36, 39, D3/100, 35, 38, 30.1; D28/38, 73, 25; 206/536, 315.11, 815; 190/103; 224/148; 43/54.1, 57.1; 220/20**

[56] **References Cited**

U.S. PATENT DOCUMENTS

D. 59,775 11/1921 Roehl D3/38
D. 270,671 9/1983 Yamamoto D28/38

D. 283,950 5/1986 Markowitz D3/30.1 X
D. 294,776 3/1988 Gander et al. D3/73
D. 300,036 2/1989 Mariol D3/73 X
2,246,626 9/1941 Grandin 43/57.1
3,286,390 11/1966 Guice 43/57.1

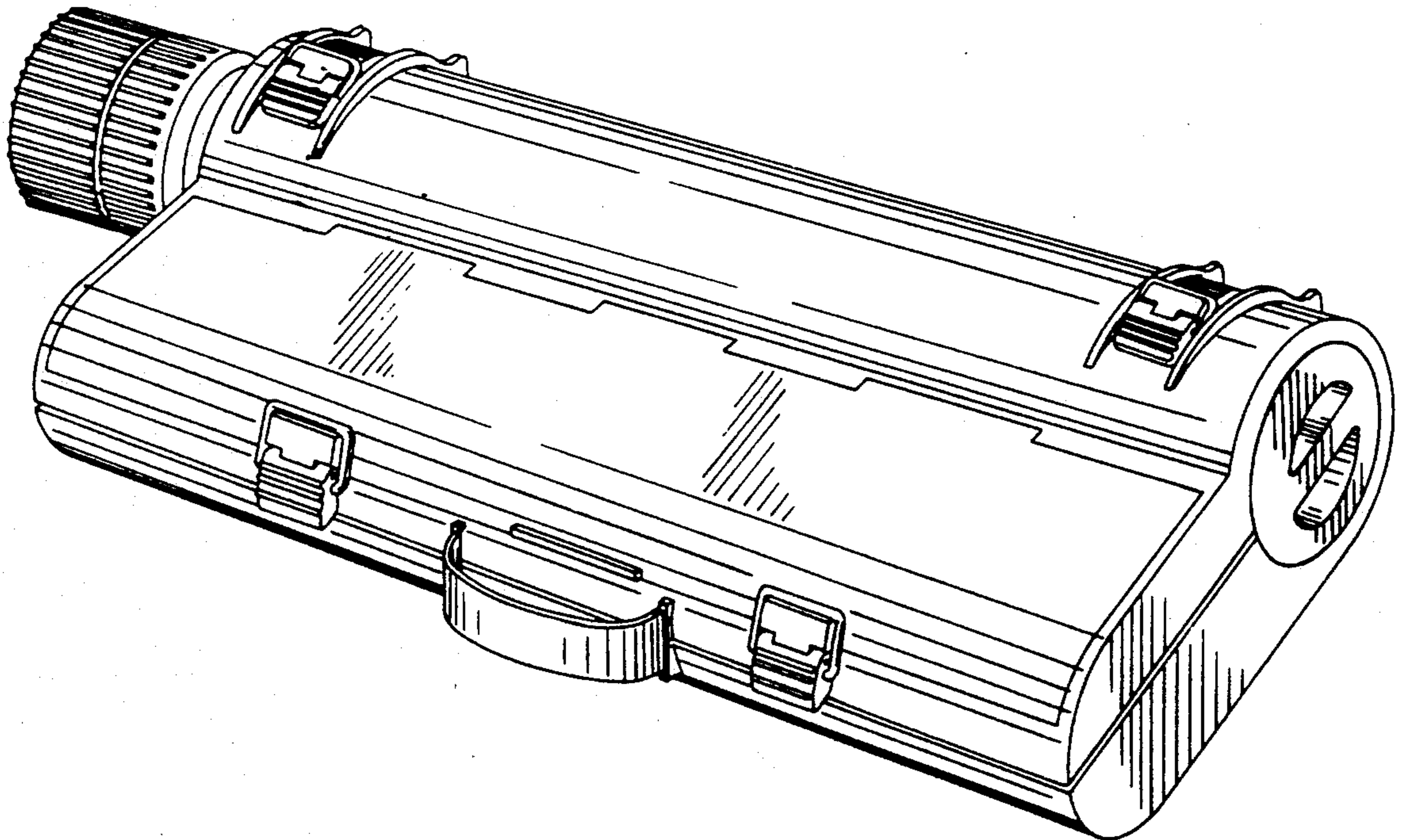
Primary Examiner—A. Hugo Word
Assistant Examiner—M. N. Pandozzi
Attorney, Agent, or Firm—John L. Schmitt

[57] **CLAIM**

The ornamental design for a fishing tackle box, as shown and described.

DESCRIPTION

FIG. 1 is a perspective view of a fishing tackle box, showing my new design;
FIG. 2 is a right side elevational view thereof;
FIG. 3 is a left side elevational view thereof;
FIG. 4 is a top plan view thereof;
FIG. 5 is a bottom plan view thereof;
FIG. 6 is a rear elevational view thereof; and,
FIG. 7 is a front elevational view thereof.



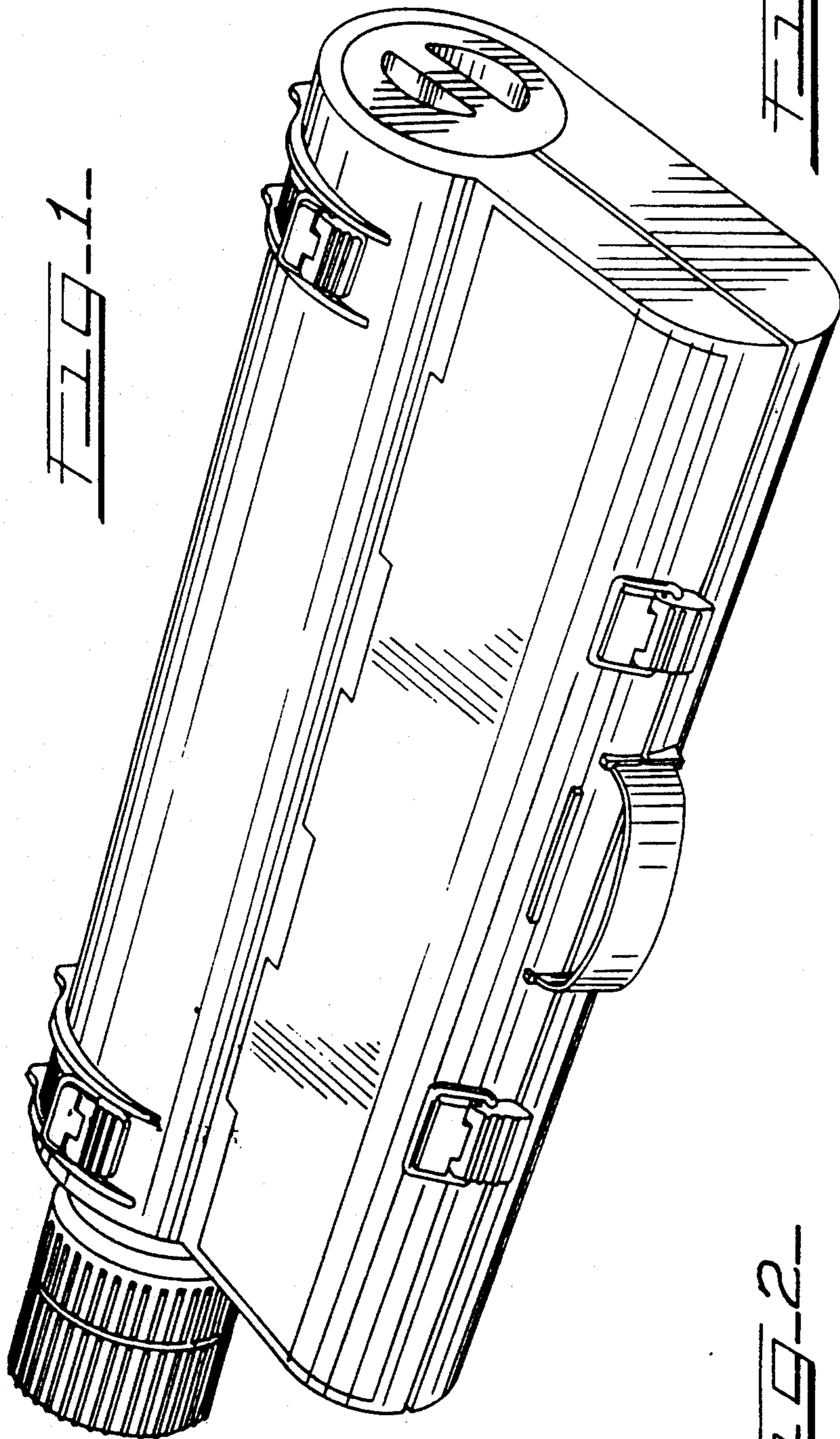


FIG. 1-

FIG. 3-

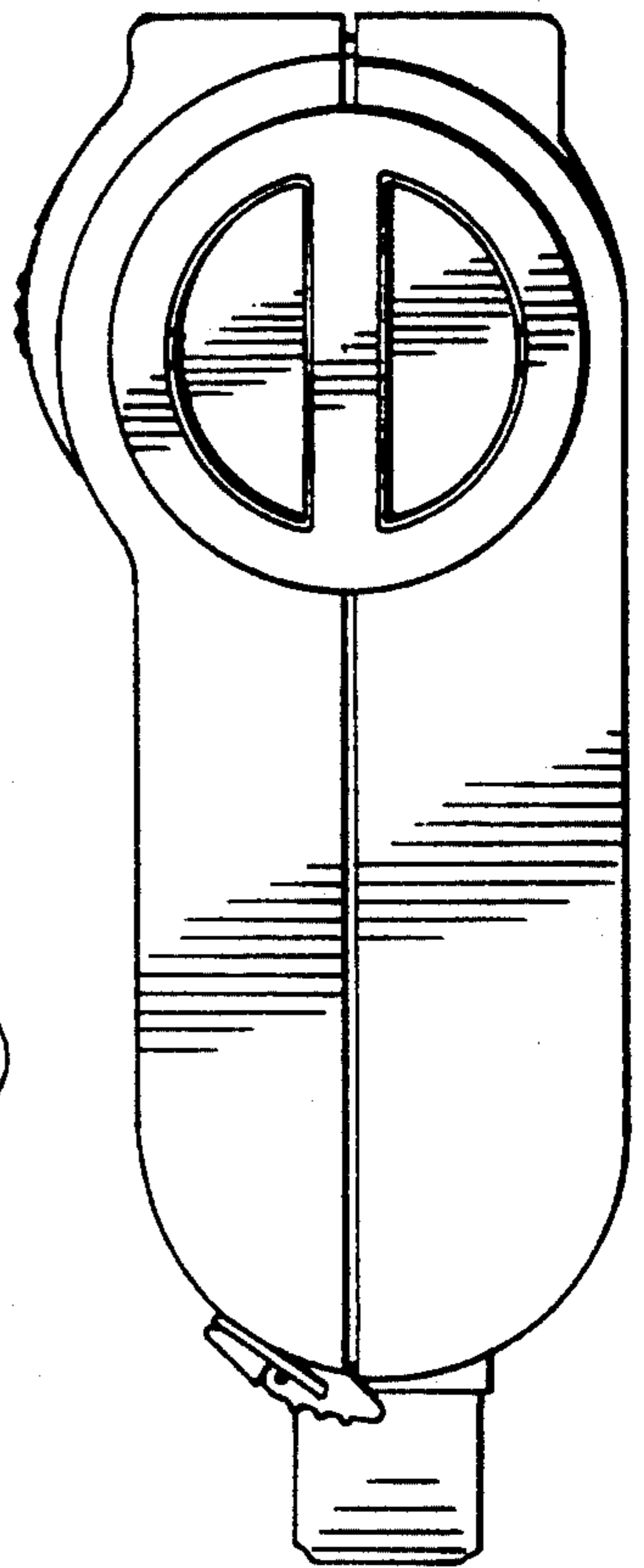


FIG. 2-

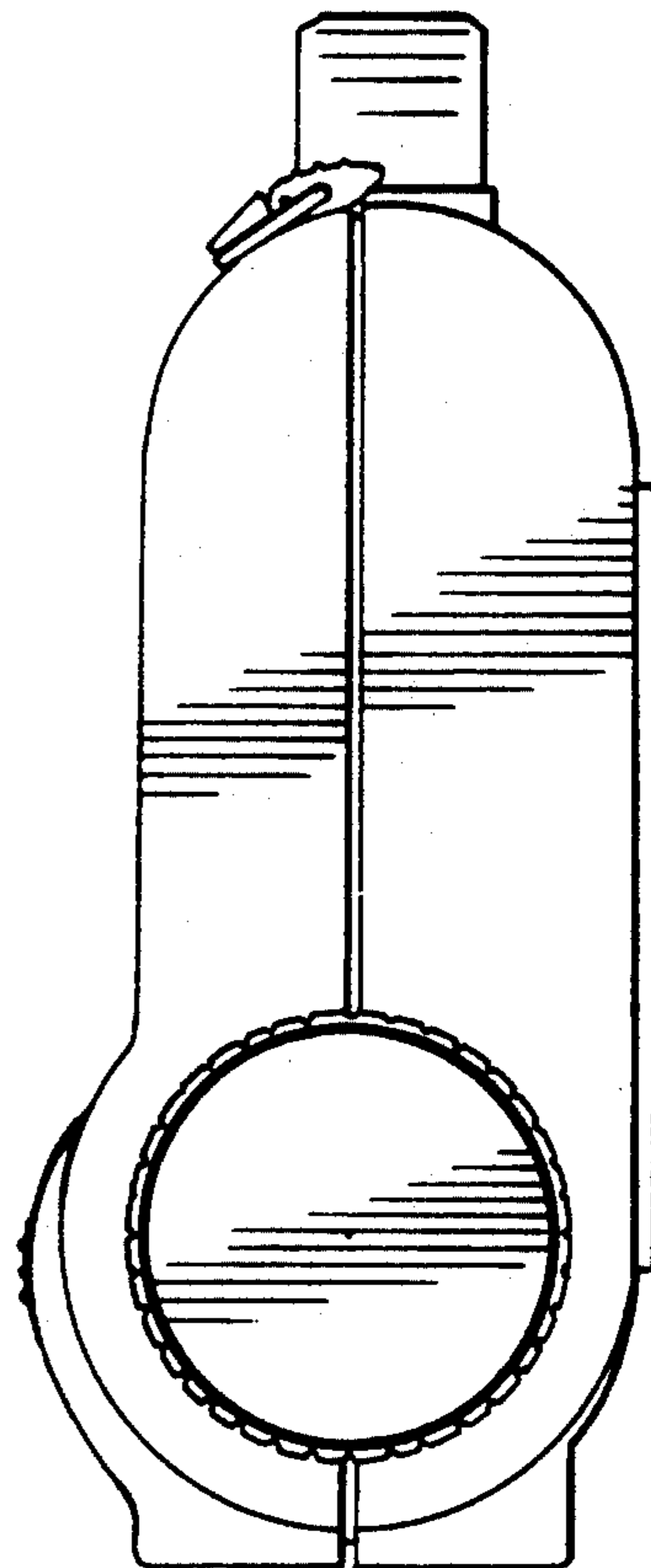


FIG-4-

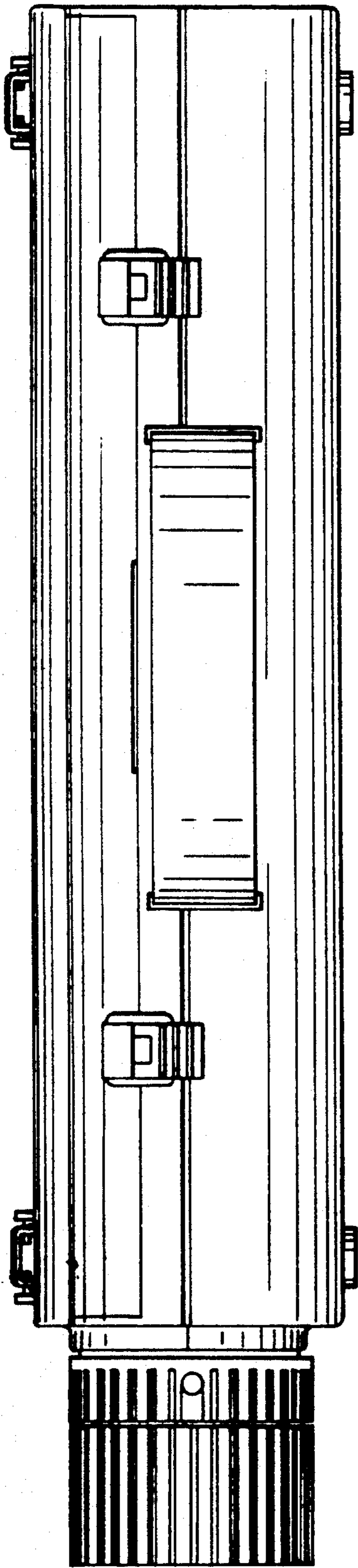
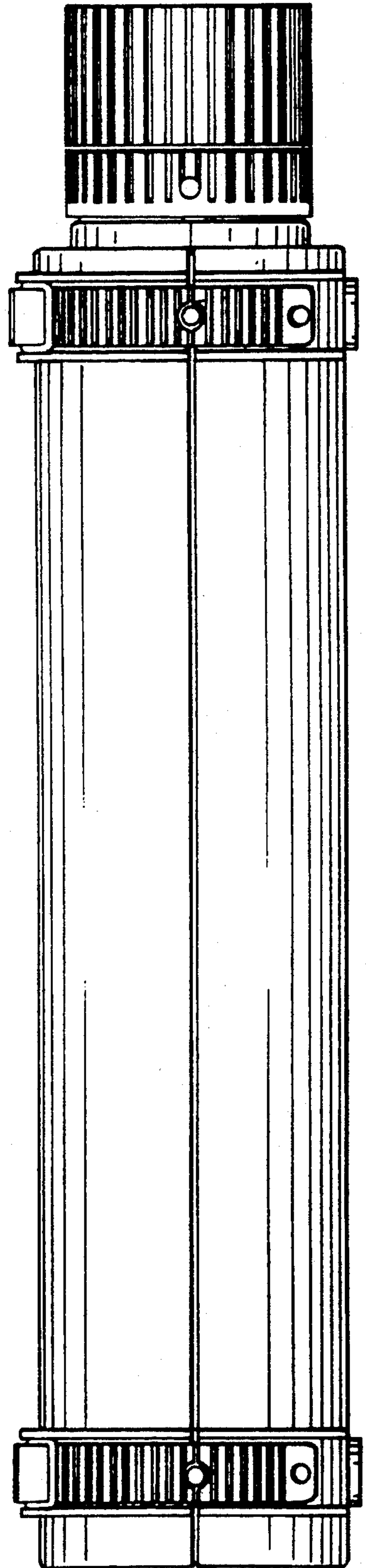


FIG-5-



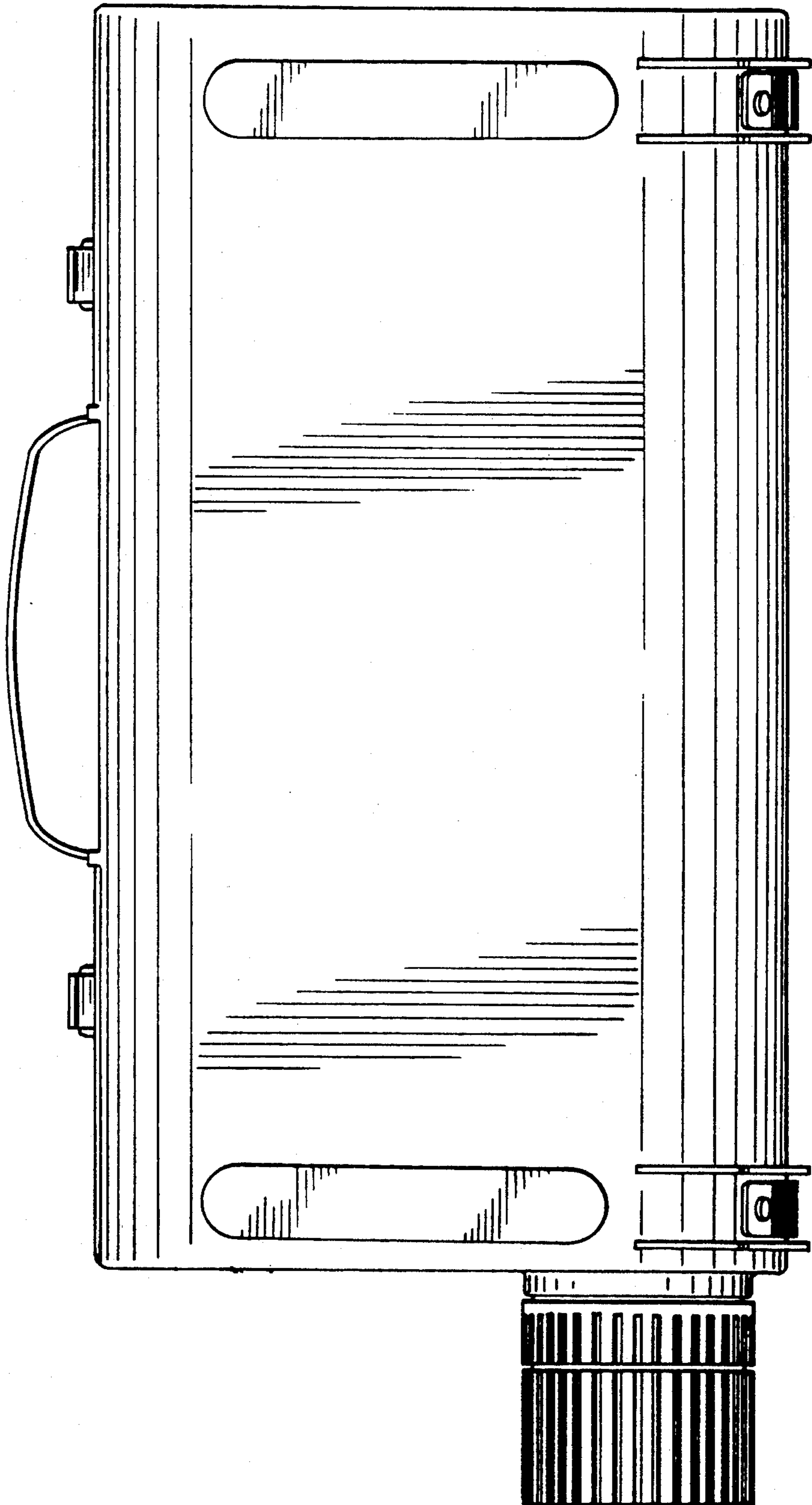


FIG. 6

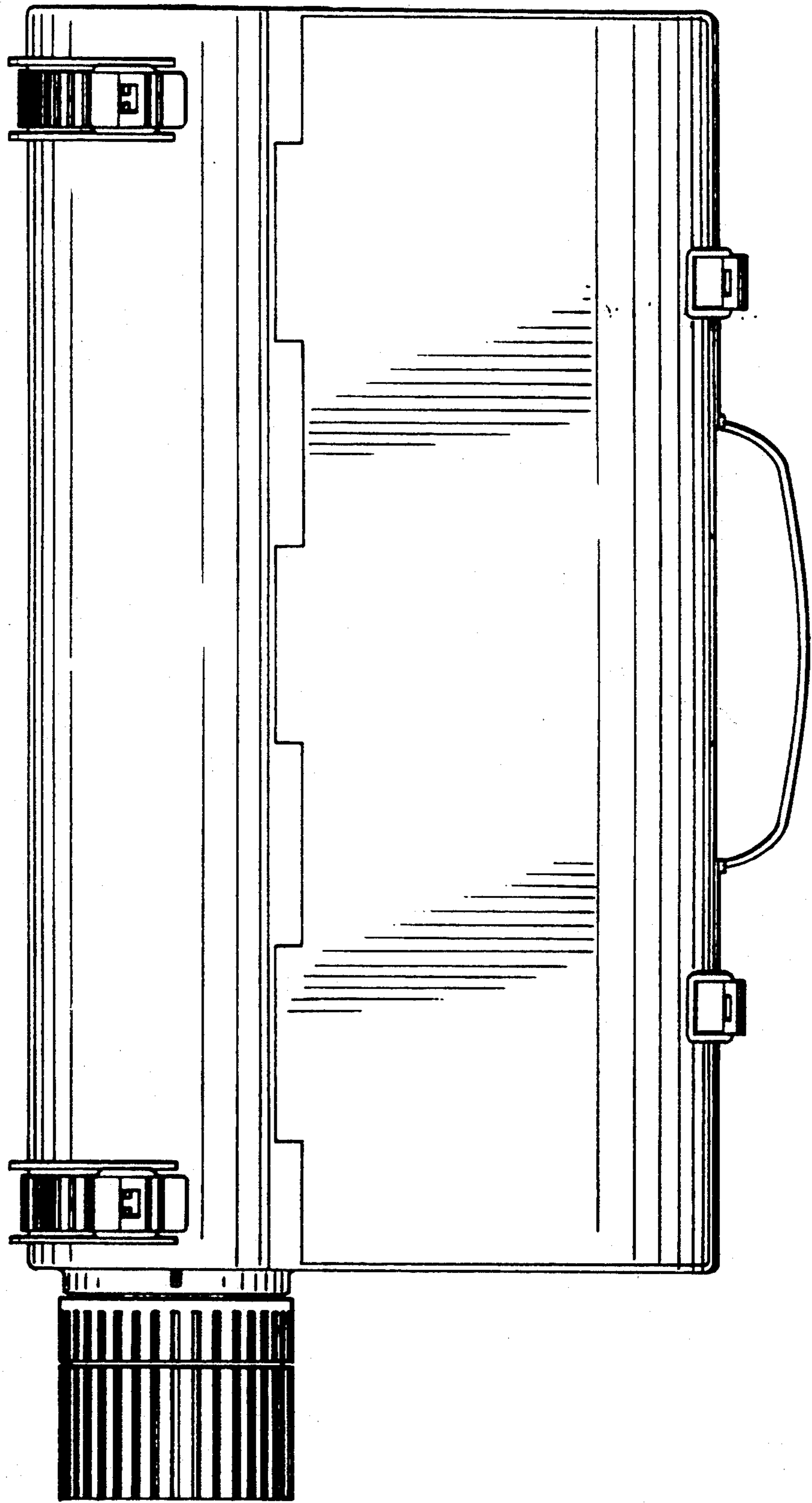


Fig. 7