



US00D325120S

United States Patent [19]

[11] Patent Number: **Des. 325,120**

Clark

[45] Date of Patent: **** Apr. 7, 1992**

- [54] **SHOE UPPER**
- [75] Inventor: **Larry M. Clark, Simi Valley, Calif.**
- [73] Assignee: **L.A. Gear, Inc., Los Angeles, Calif.**
- [**] Term: **14 Years**
- [21] Appl. No.: **699,553**
- [22] Filed: **May 13, 1991**

4,670,998	8/1987	Pasternak	36/114
4,676,011	6/1987	O'Rourke et al.	36/89
4,766,681	8/1988	O'Rourke et al.	36/89
4,813,158	3/1989	Brown	36/114
4,817,303	4/1989	Selbiger	36/50
4,876,806	10/1989	Robinson et al.	36/114

Primary Examiner—Louis S. Zarfaz
Attorney, Agent, or Firm—Don C. Lawrence

[57] CLAIM

The ornamental design for a shoe upper, as shown and described.

Related U.S. Application Data

- [63] Continuation-in-part of Ser. No. 571,423, Aug. 22, 1990, Pat. No. D. 319,721.
- [52] U.S. Cl. **D2/314; D2/310**
- [58] Field of Search **D2/264, 265, 268, 269, D2/271, 272, 308-314; 36/45, 83-92, 99-107, 112-116, 131, 132, 136**

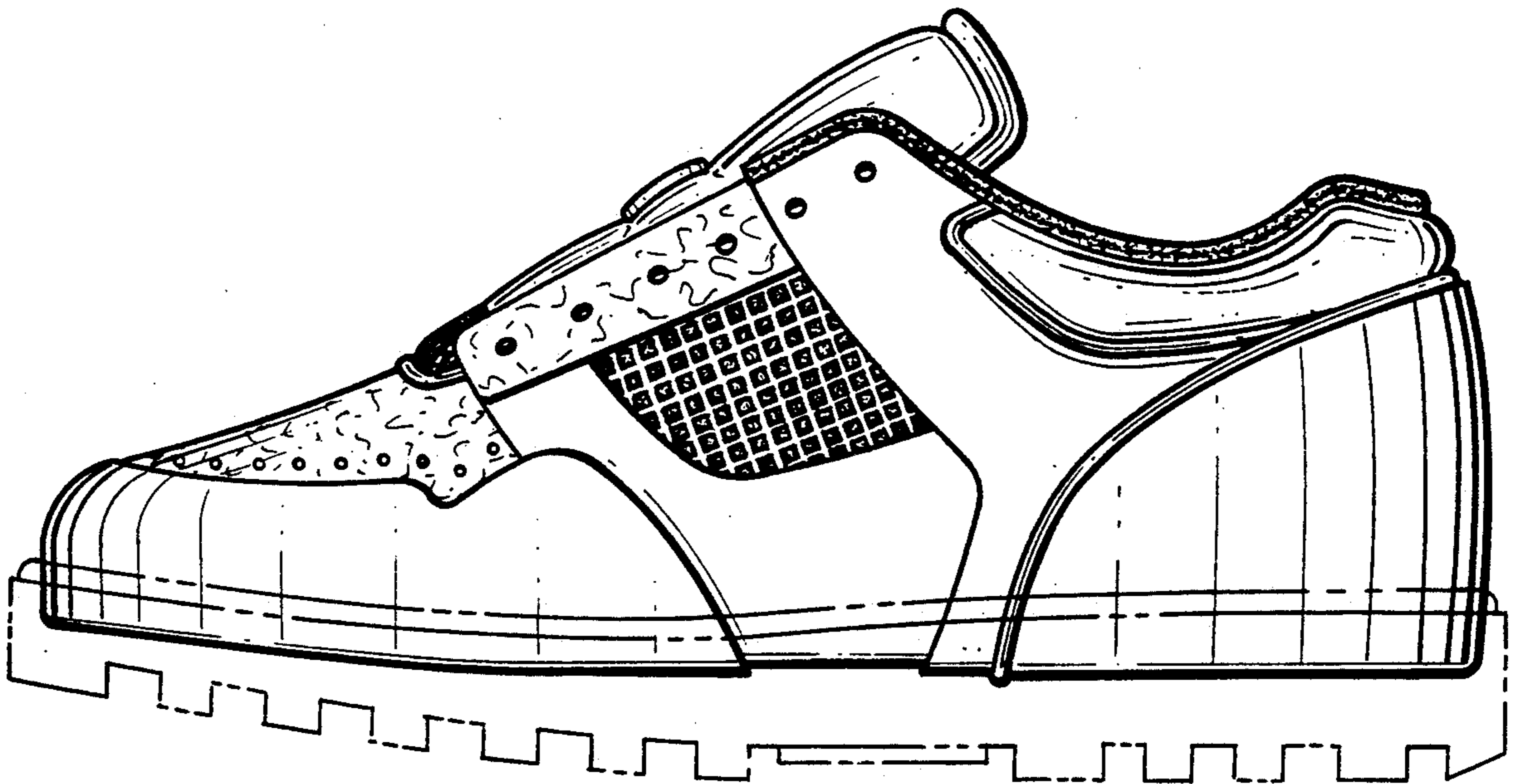
DESCRIPTION

FIG. 1 is a right side elevational view of a shoe upper showing my new design;
 FIG. 2 is a top plan view thereof;
 FIG. 3 is a bottom plan view thereof;
 FIG. 4 is a left side elevational view thereof;
 FIG. 5 is a front elevational view thereof;
 FIG. 6 is a rear elevational view thereof;
 FIG. 7 is a right side elevational view of a shoe upper showing a first alternate embodiment of my new design;
 FIG. 8 is a top plan view thereof;
 FIG. 9 is a bottom plan view thereof;
 FIG. 10 is a left side elevational view thereof;
 FIG. 11 is a front elevational view thereof; and,
 FIG. 12 is a rear elevational view thereof.
 The broken lines showing shoe soles in FIGS. 1 and 7 are for illustrative purposes only and form no part of the claimed invention.

[56] References Cited

U.S. PATENT DOCUMENTS

D. 292,945	12/1987	Selbiger	D2/314
D. 293,848	1/1988	Brown et al.	D2/314
D. 297,182	8/1988	Brown et al.	D2/314
D. 305,177	12/1989	Quan	D2/314
D. 305,379	1/1990	Brown et al.	D2/314
D. 307,350	4/1990	Brown et al.	D2/314
D. 307,509	5/1990	Kittle	D2/314
D. 311,809	11/1990	Jimenez	D2/314
D. 311,987	11/1990	McKinstry	D2/314
4,545,138	10/1985	Blum	36/51



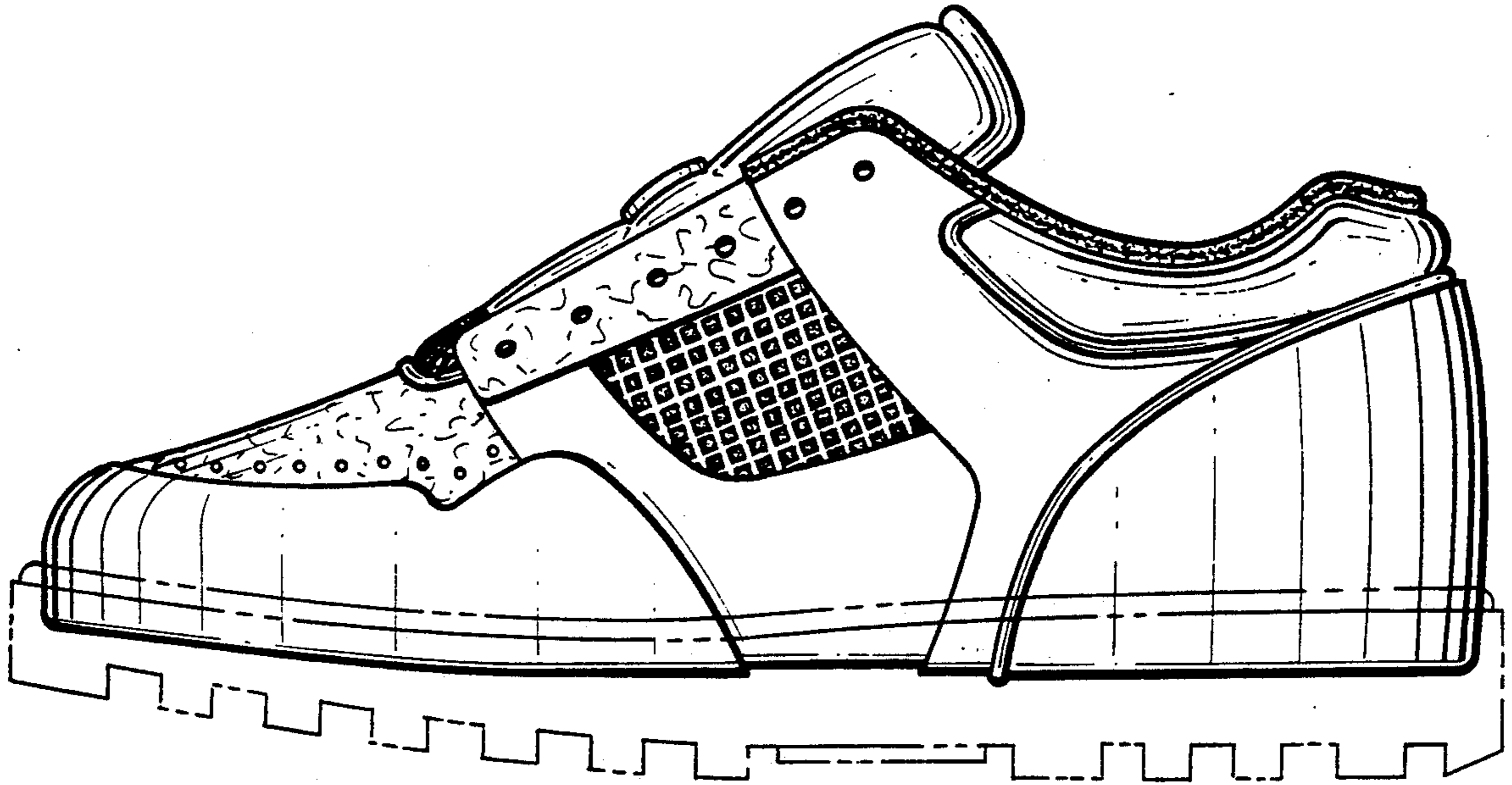


Fig. 1.

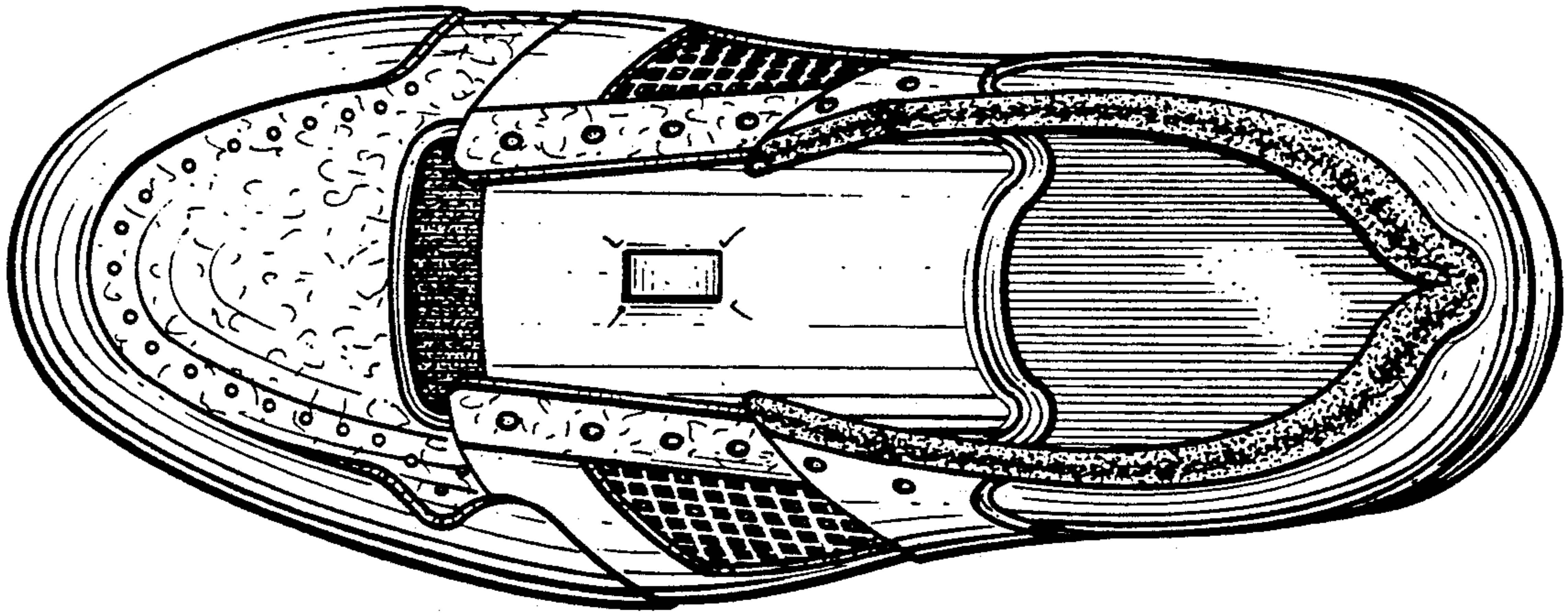


Fig. 2.

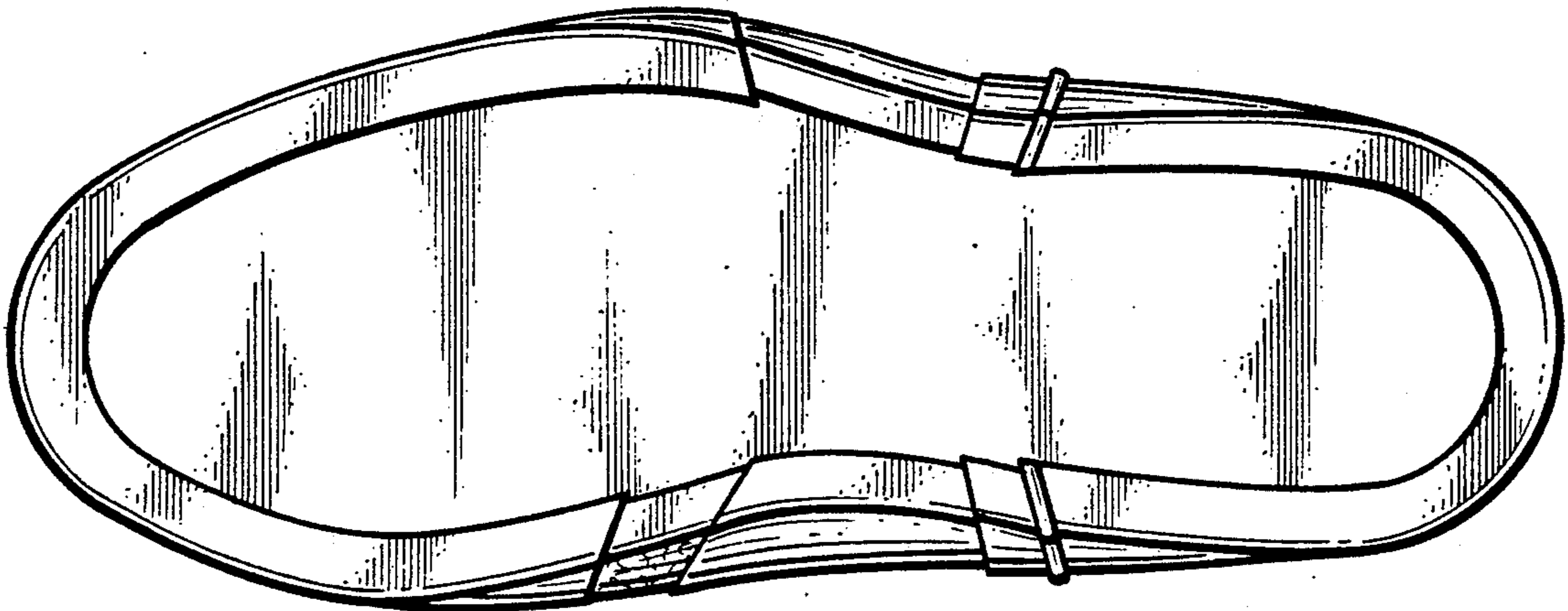


Fig. 3.

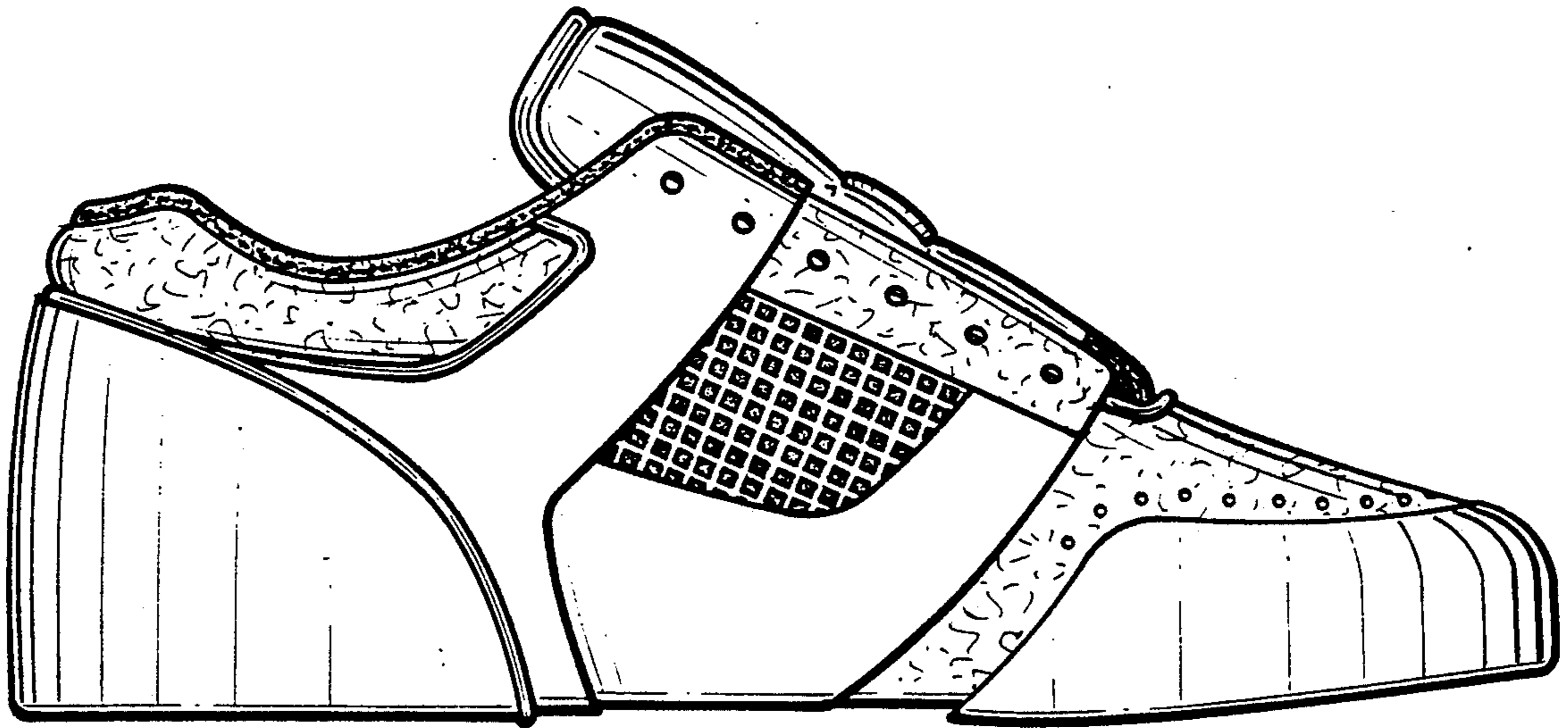


Fig. 4.

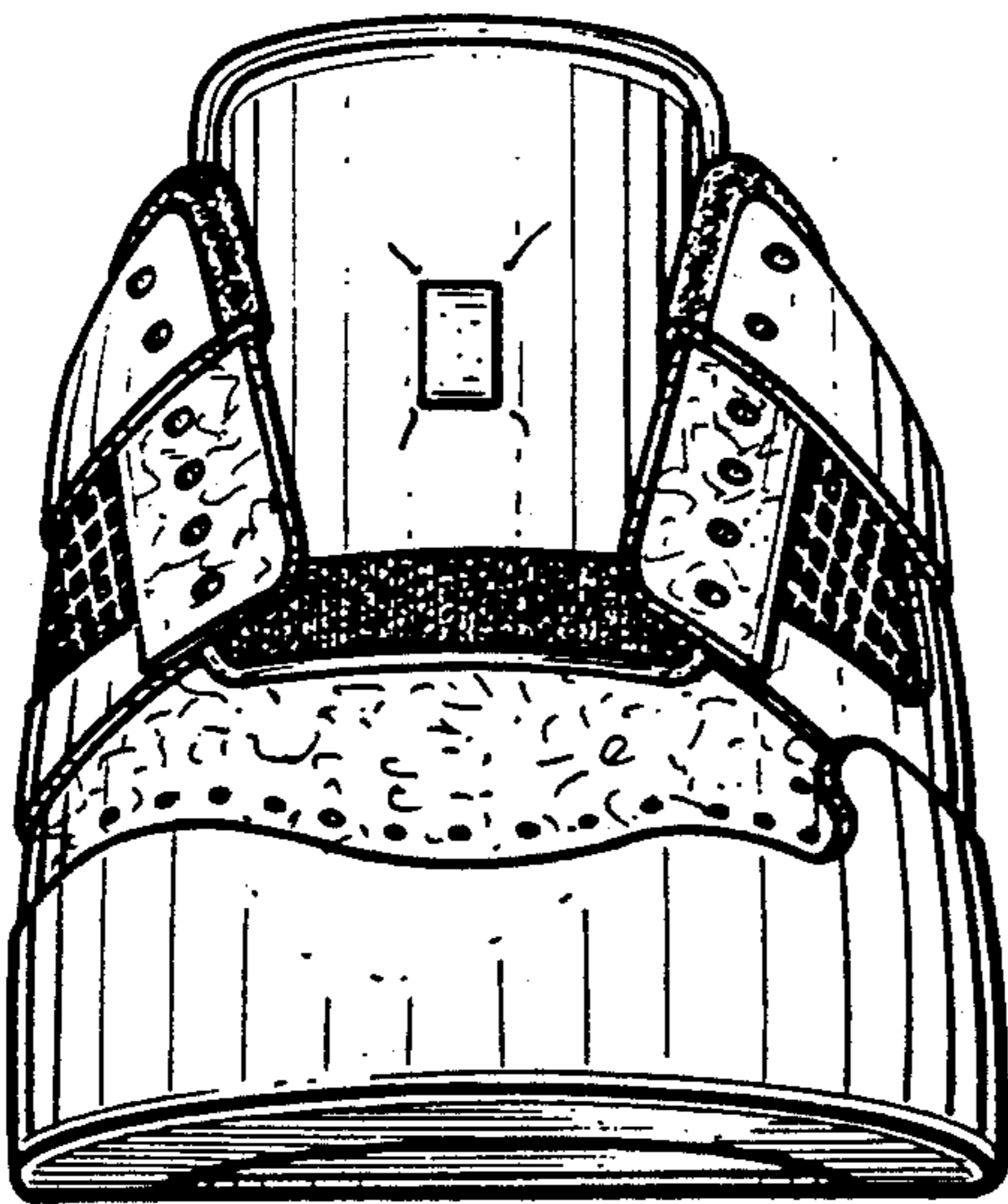


Fig. 5.

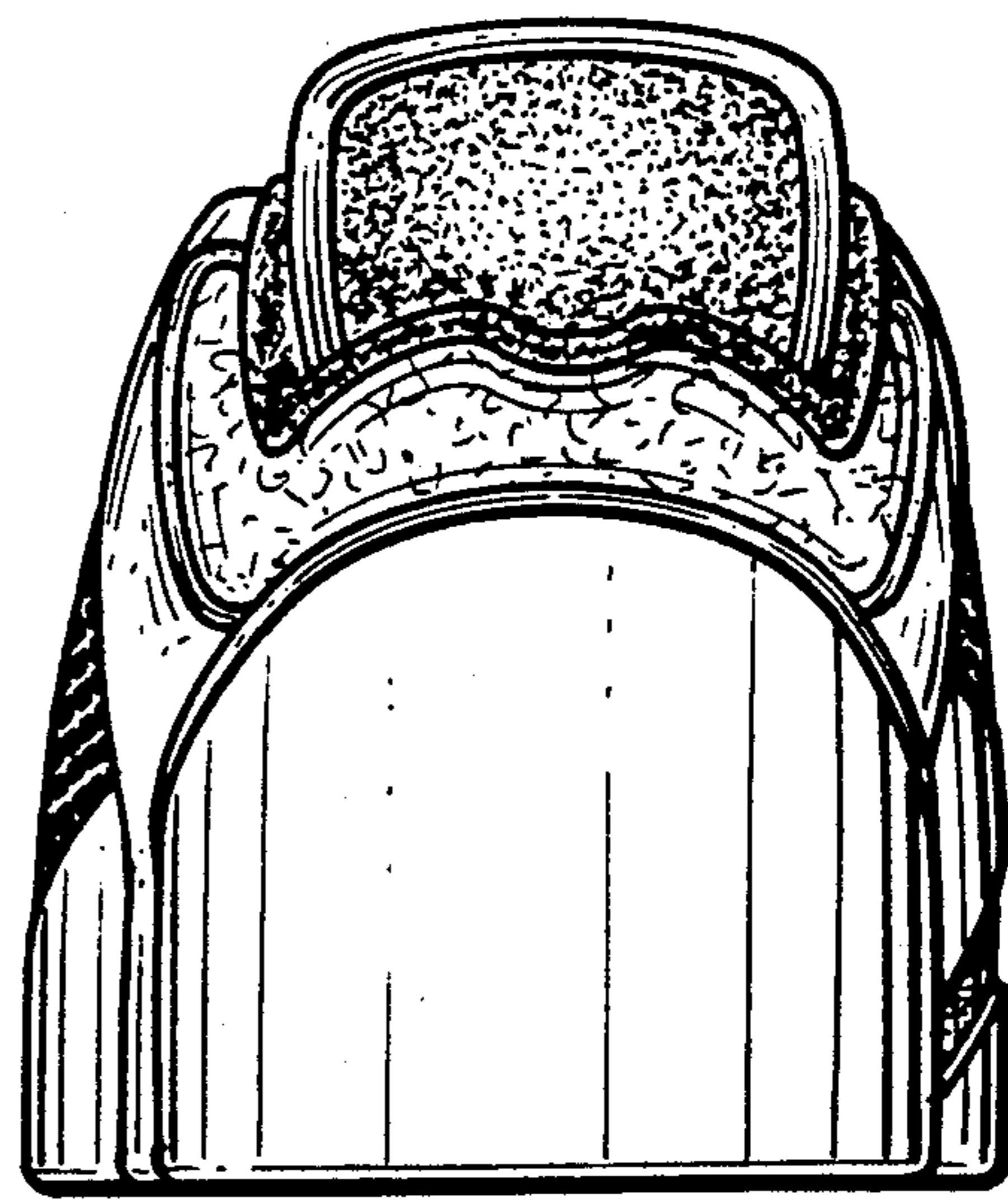


Fig. 6.

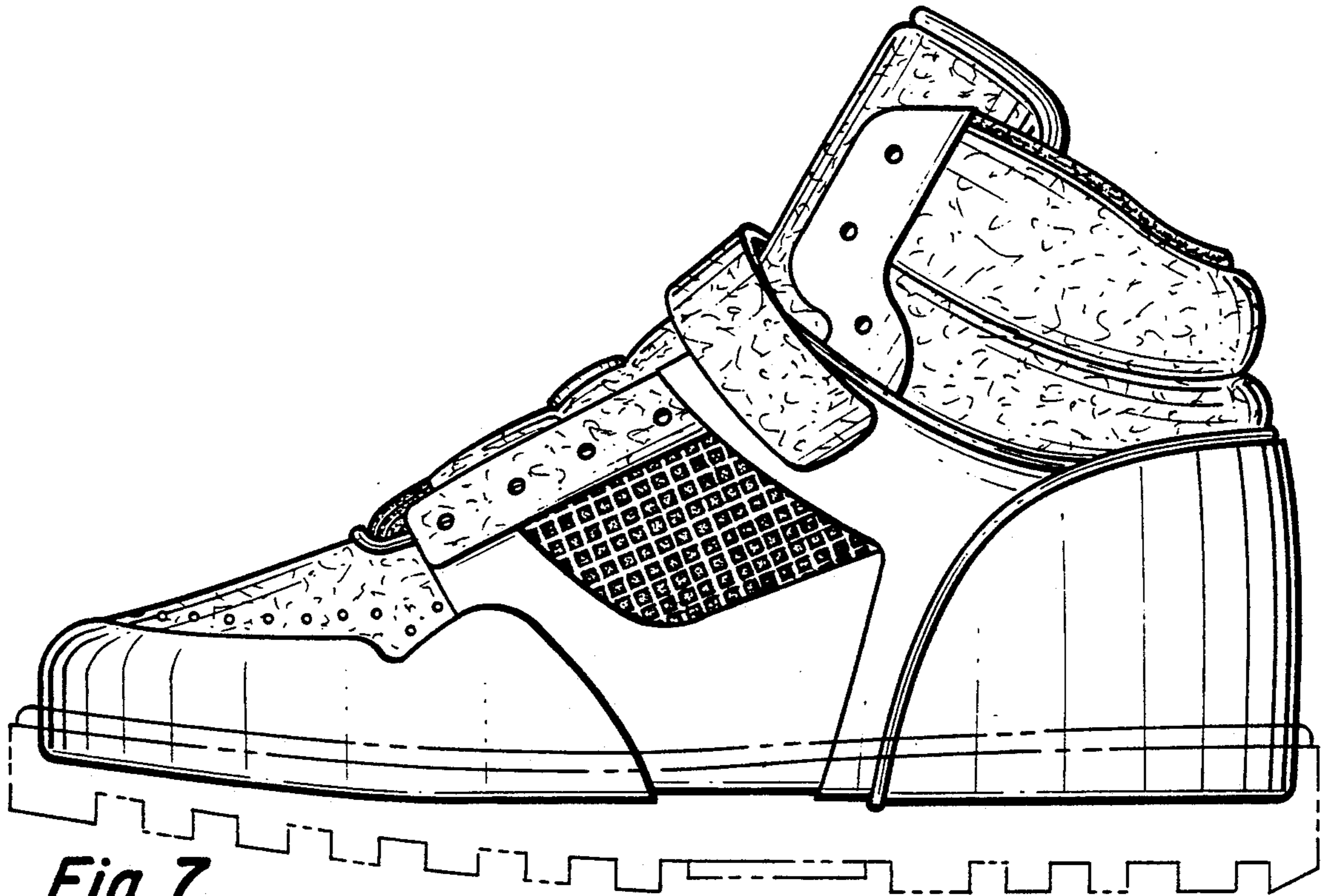


Fig. 7.

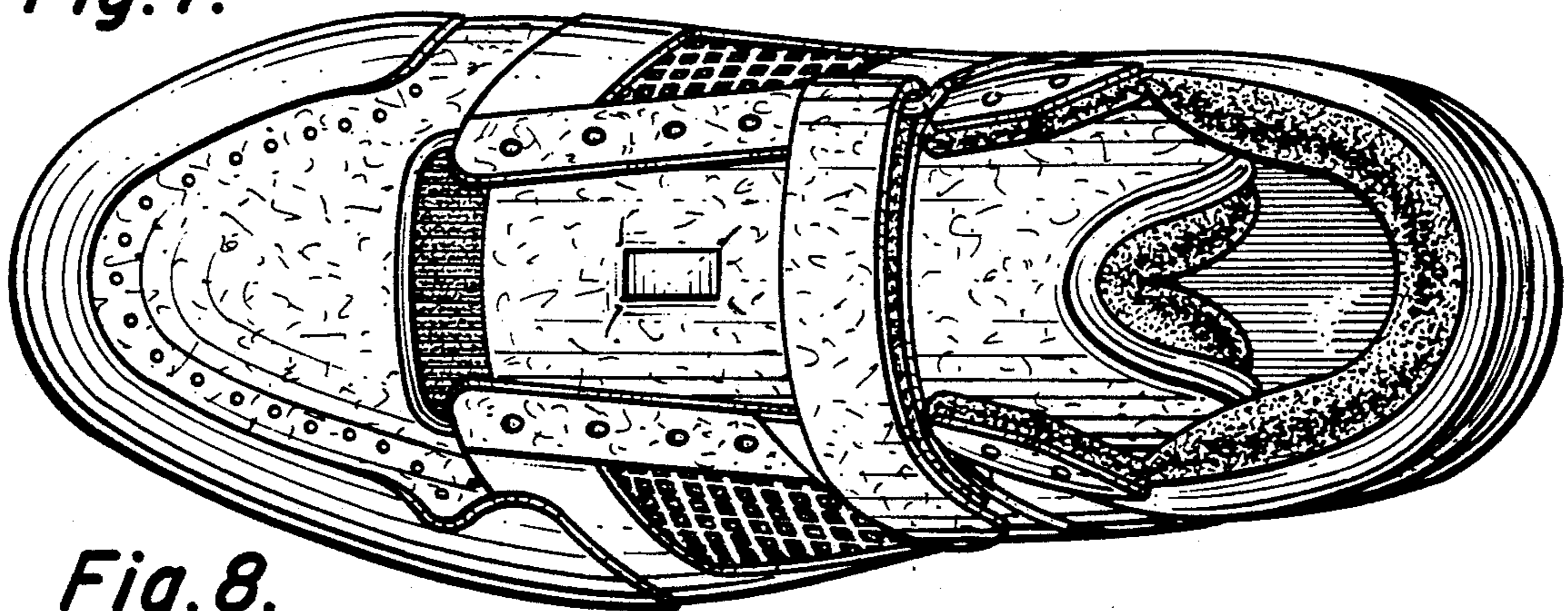


Fig. 8.

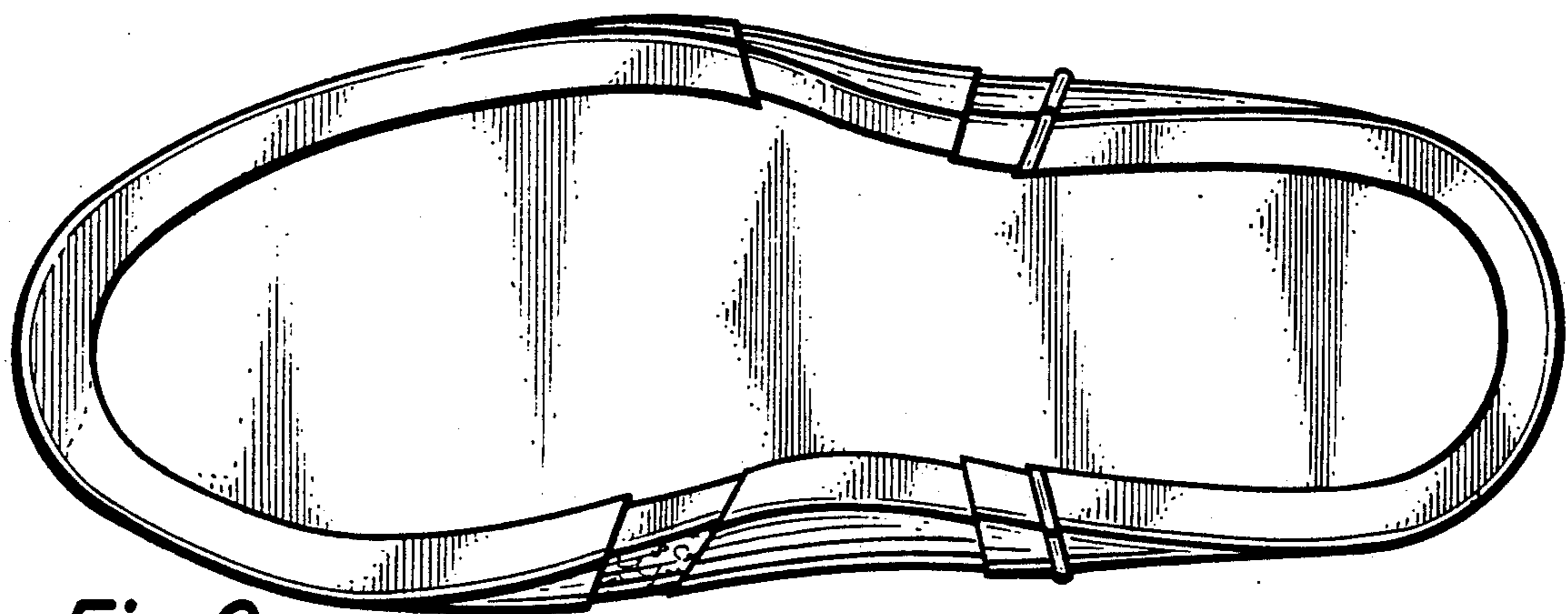


Fig. 9.

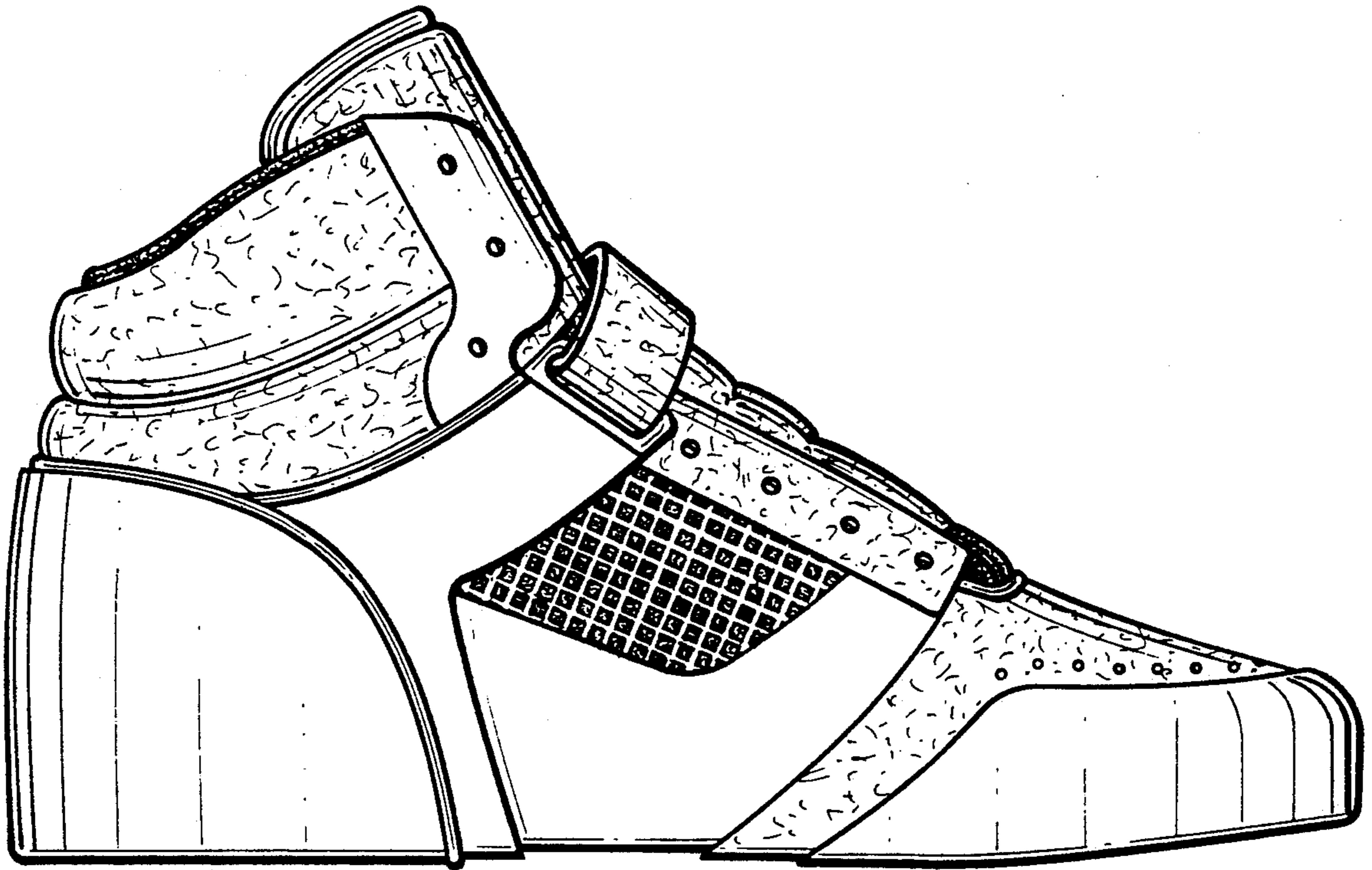


Fig. 10.

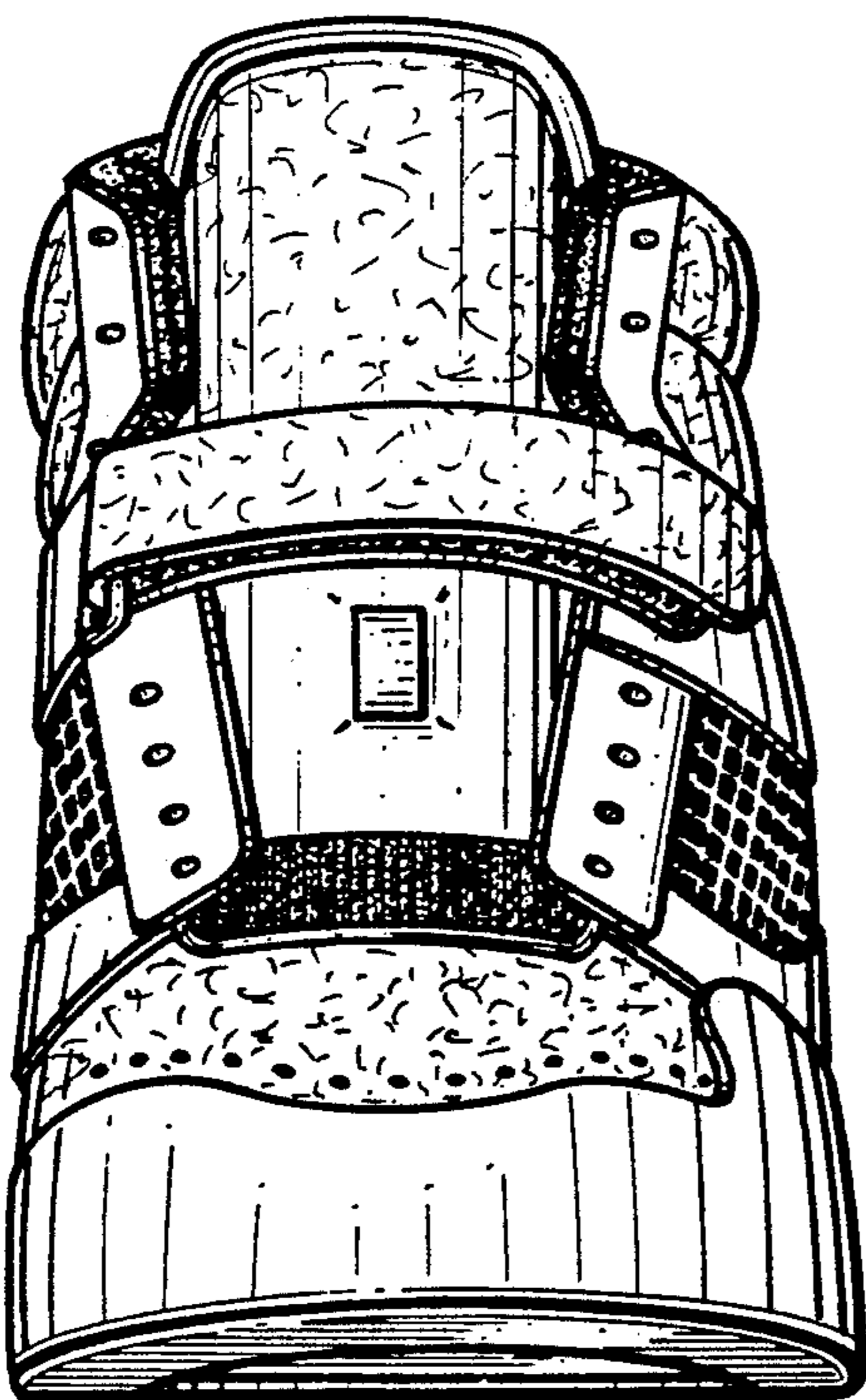


Fig. 11.

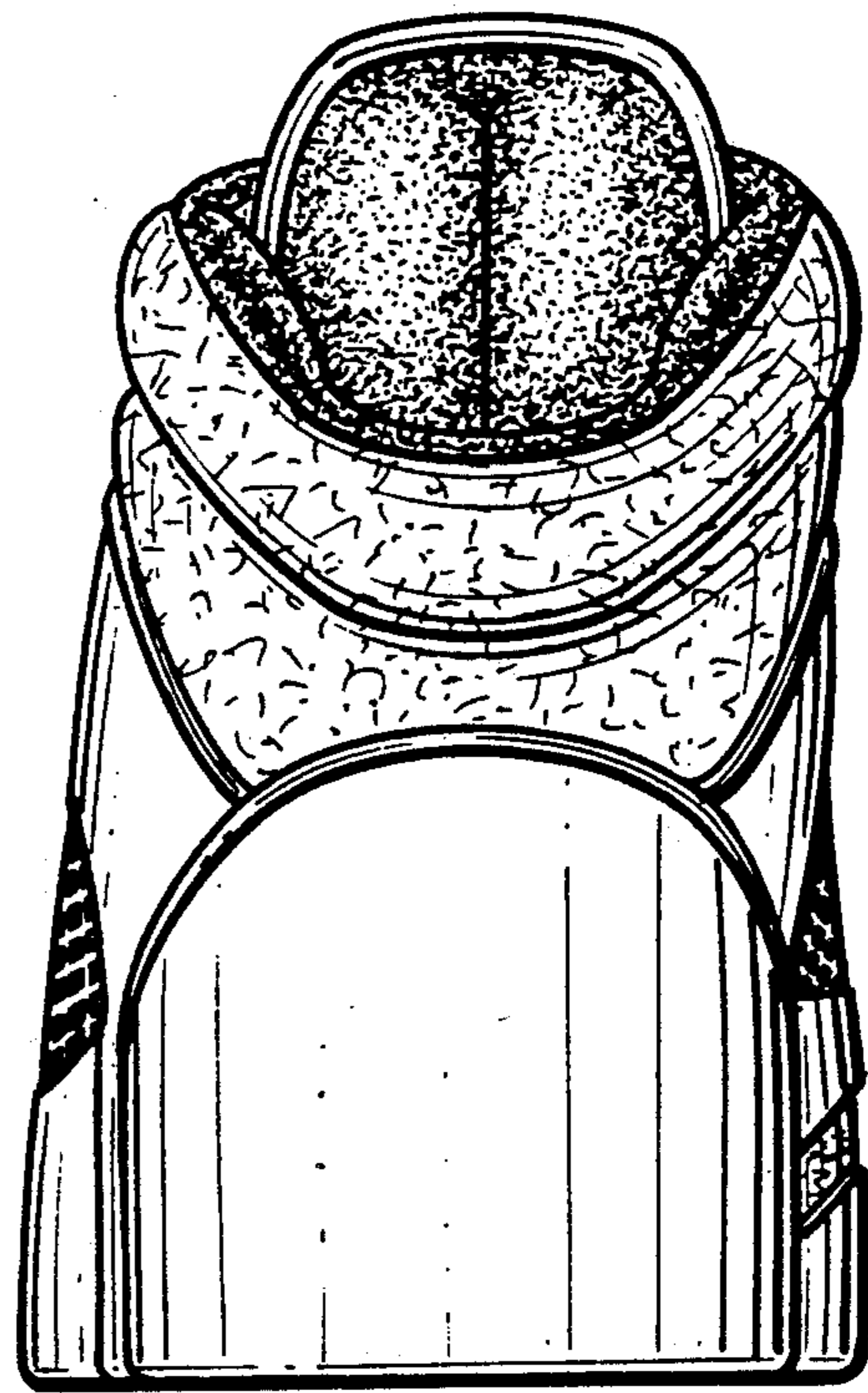


Fig. 12.