



US00D325108S

United States Patent [19]

[11] Patent Number: **Des. 325,108**

Byrne

[45] Date of Patent: **** Mar. 31, 1992**

[54] RECORD CLEANER

4,750,231 6/1988 Kogashiwa 369/72 X

[76] Inventor: **Gregory S. Byrne, 236 Gerald Dr.,
Aston, Pa. 19014**

OTHER PUBLICATIONS

Stereo Review, Jan. 1988, p. 84, Left center—Nity Gritty 2.43 Fi Mk II Record Cleaning Machine.

[**] Term: **14 Years**

Primary Examiner—Theodore M. Shooman
Attorney, Agent, or Firm—Leon Gildea

[21] Appl. No.: **332,101**

[57] CLAIM

[22] Filed: **Apr. 3, 1989**

The ornamental design for a record cleaner, as shown and described.

[52] U.S. Cl. **D32/35**

[58] Field of Search **D14/124-125,
D14/155, 158-160, 167, 217, 239, 260, 299, 164;
D32/35; 15/114, DIG. 14; 369/72**

DESCRIPTION

[56] References Cited

U.S. PATENT DOCUMENTS

D. 275,902	10/1984	Yamada et al.	D32/35
D. 277,326	1/1985	Allsop	D32/35
D. 288,018	1/1987	Kawabe	D32/35
4,332,050	6/1982	Okuda	369/72 X

FIG. 1 is a front elevational view of a record cleaner showing my new design;

FIG. 2 is a rear elevational view thereof;

FIG. 3 is a left side elevational view thereof;

FIG. 4 is a right side elevational view thereof;

FIG. 5 is a top plan view thereof; and,

FIG. 6 is a bottom plan view thereof.

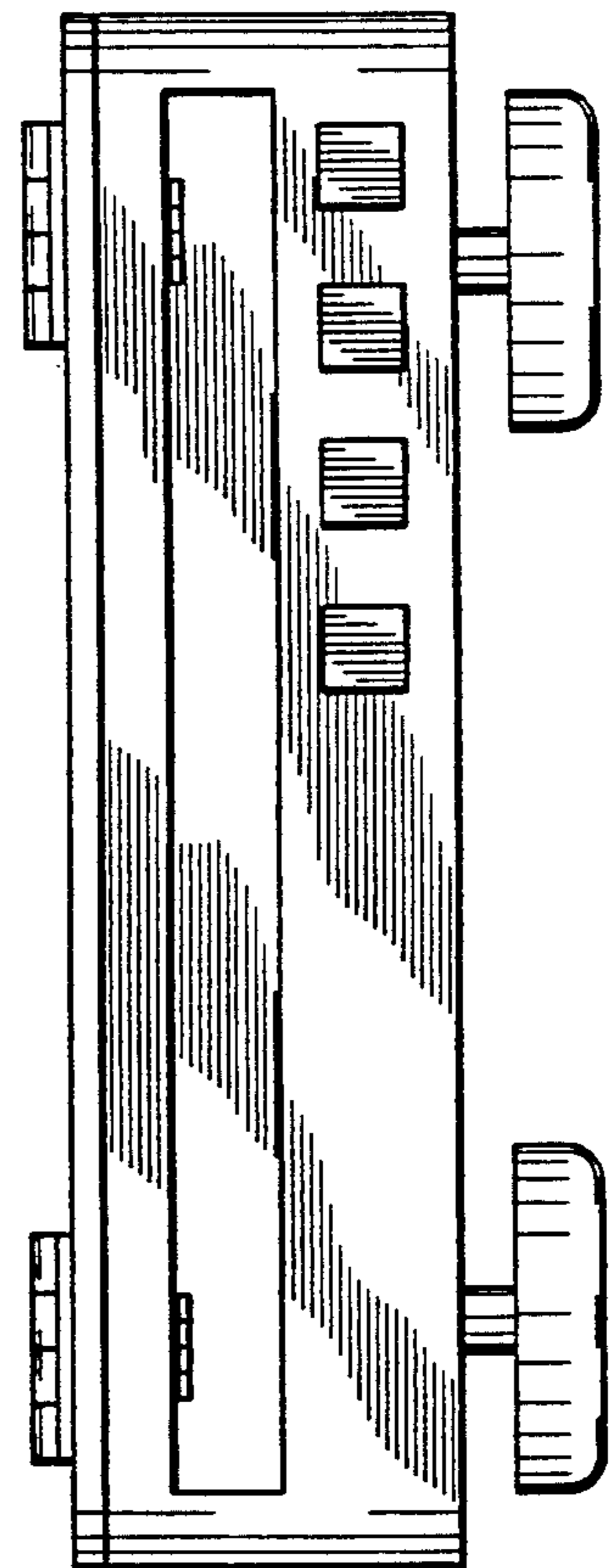
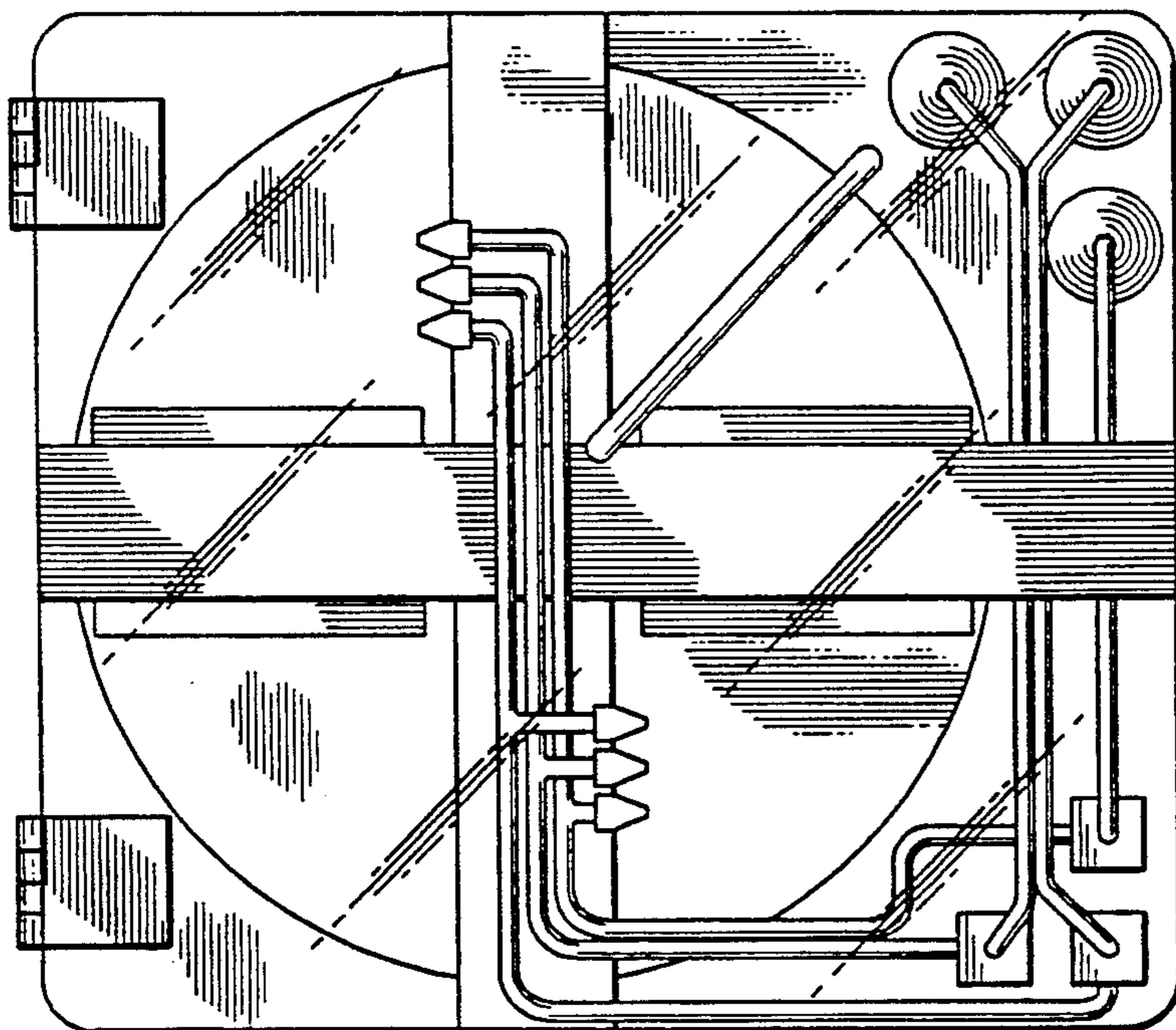


FIG. 1

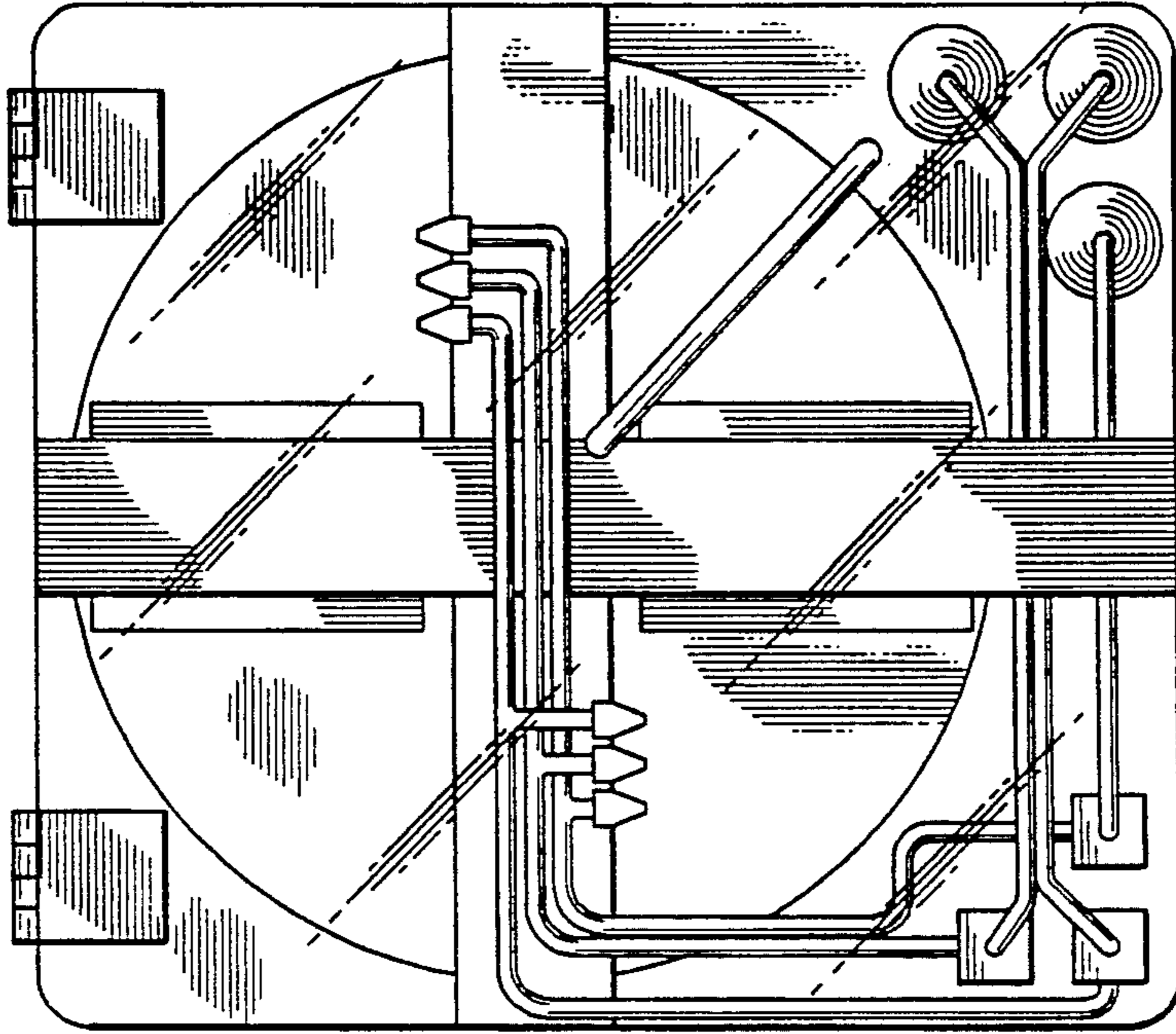


FIG. 2

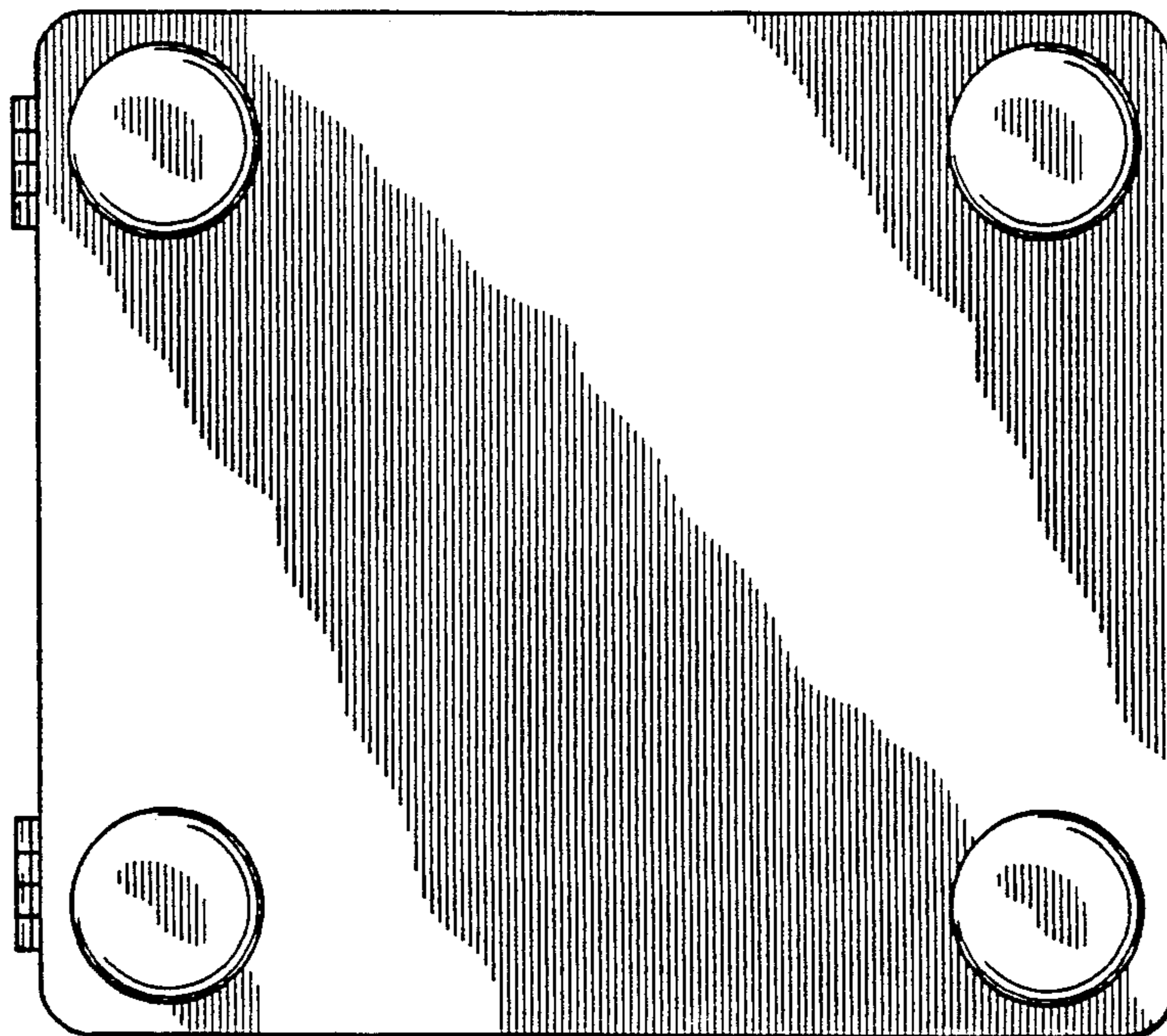


FIG. 3

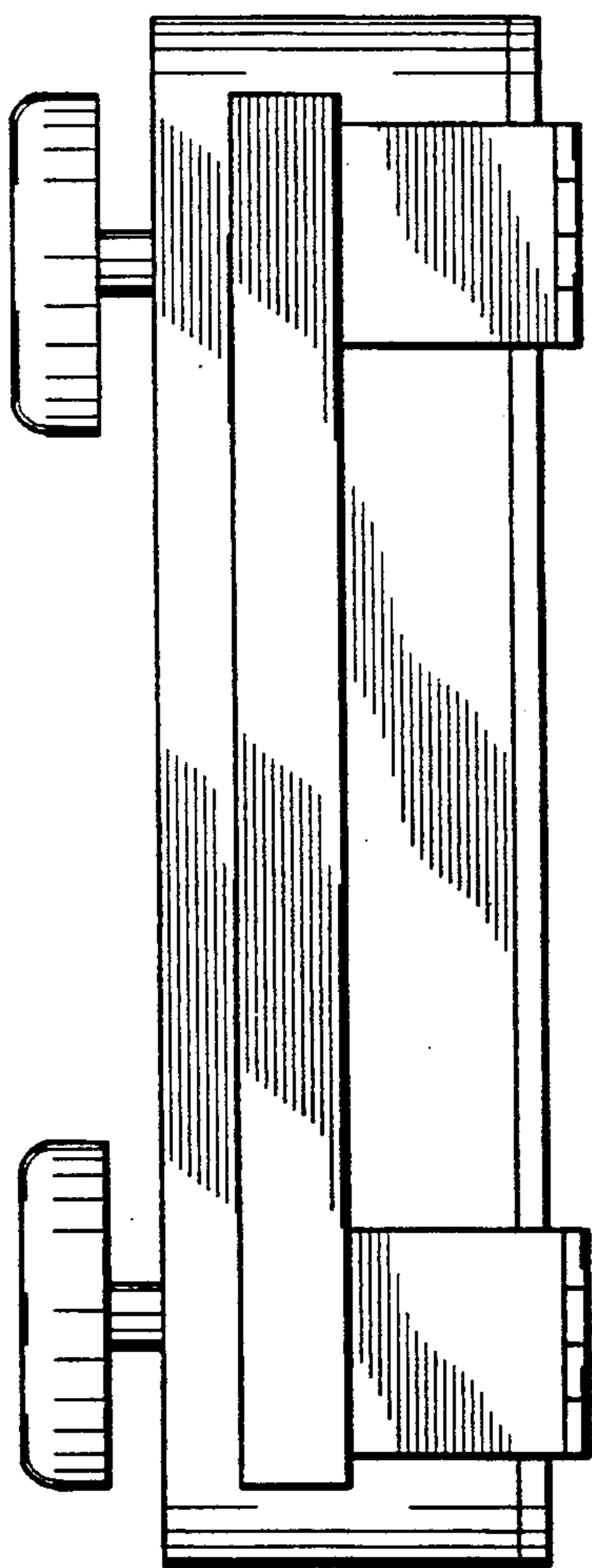
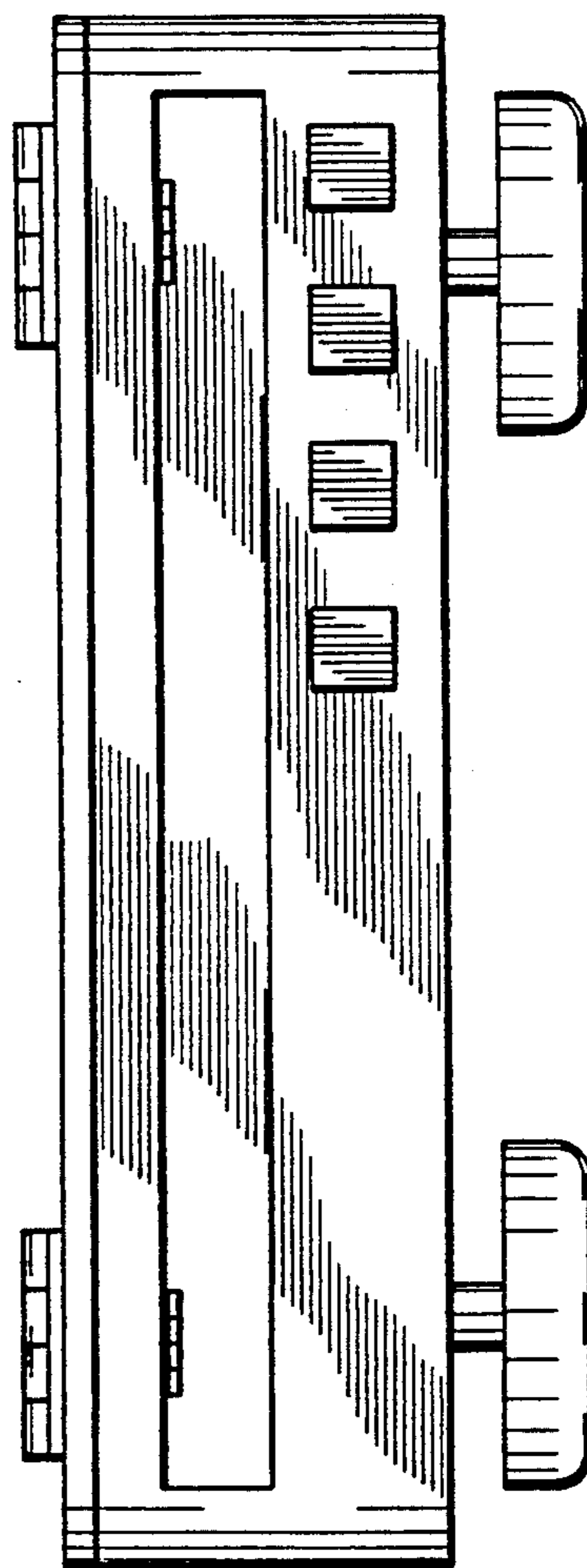


FIG. 4



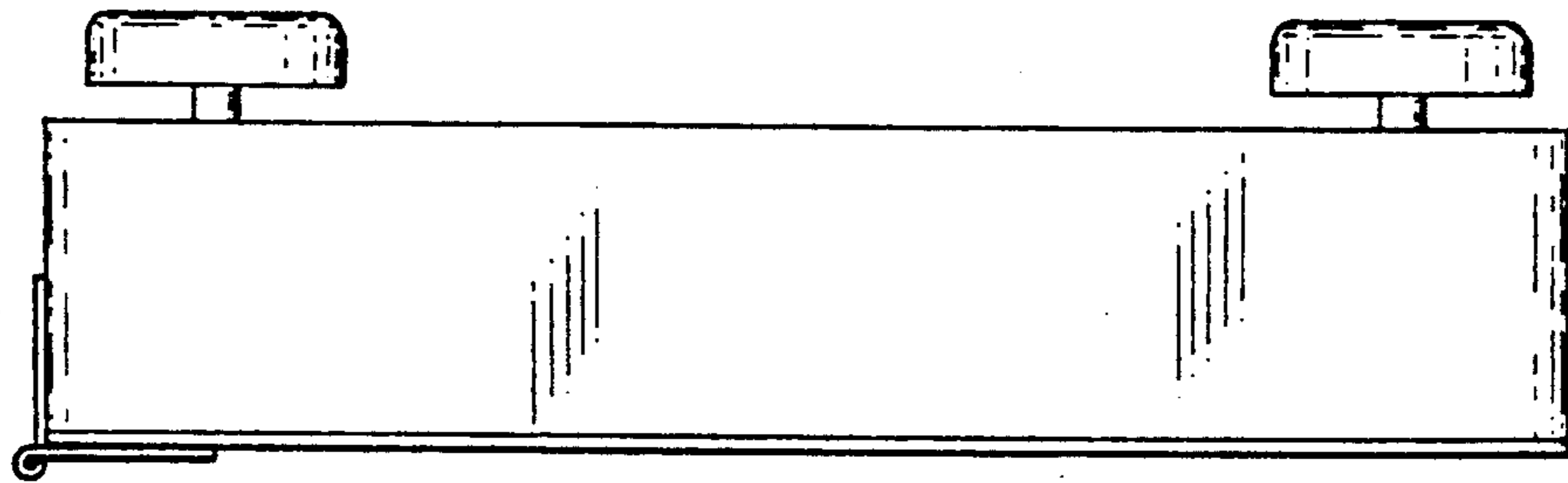


FIG. 5.

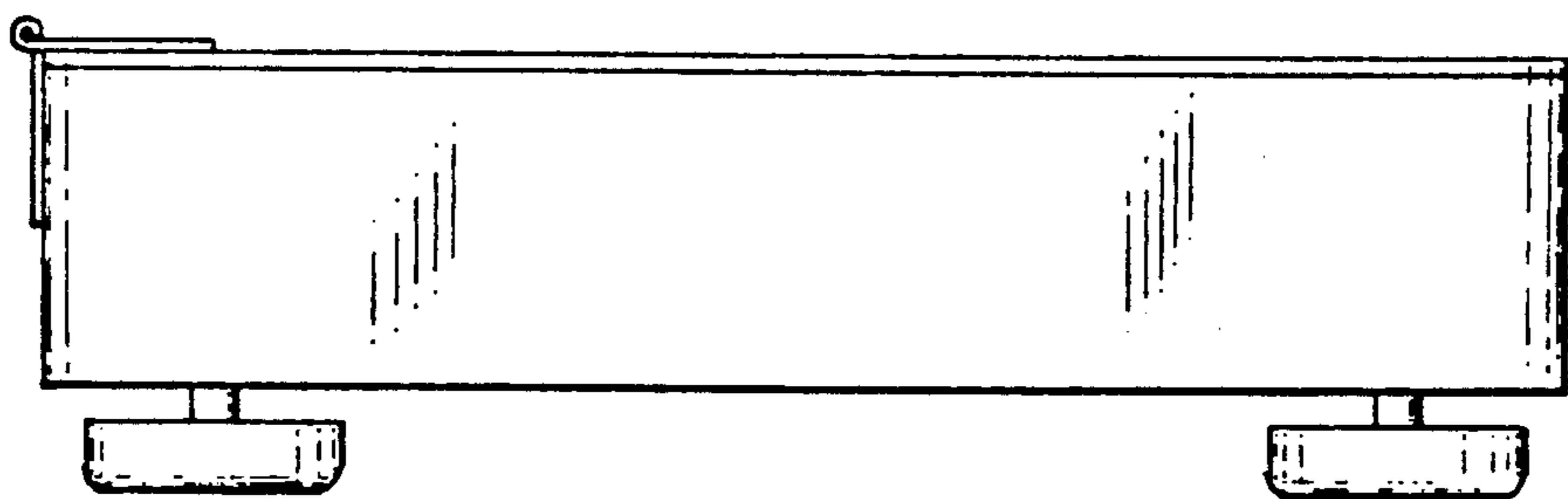


FIG. 6.