



US00D325107S

United States Patent [19]

[11] Patent Number: **Des. 325,107**

Ross

[45] Date of Patent: **** Mar. 31, 1992**

[54] **DISPENSER GUN**

[75] Inventor: **Timothy P. Ross, High Point, N.C.**

[73] Assignee: **Great Lakes Terminal and Transport Corporation, Chicago, Ill.**

[**] Term: **14 Years**

[21] Appl. No.: **266,351**

[22] Filed: **Oct. 31, 1988**

[52] U.S. Cl. **D32/15**

[58] Field of Search **D15/13, 199; D32/15; D23/223, 224; 222/173-175, 191, 326, 333**

| | | | |
|------------|---------|--------------------|---------|
| D. 297,274 | 8/1988 | Komiya et al. | D32/15 |
| 1,189,165 | 6/1916 | Ness | 222/175 |
| 1,475,957 | 12/1920 | Lemons | 222/175 |
| 1,666,350 | 4/1928 | Pitt | 222/175 |
| 2,112,603 | 3/1938 | Perron | 222/175 |

Primary Examiner—Bruce W. Dunkins

Assistant Examiner—Antoine D. Davis

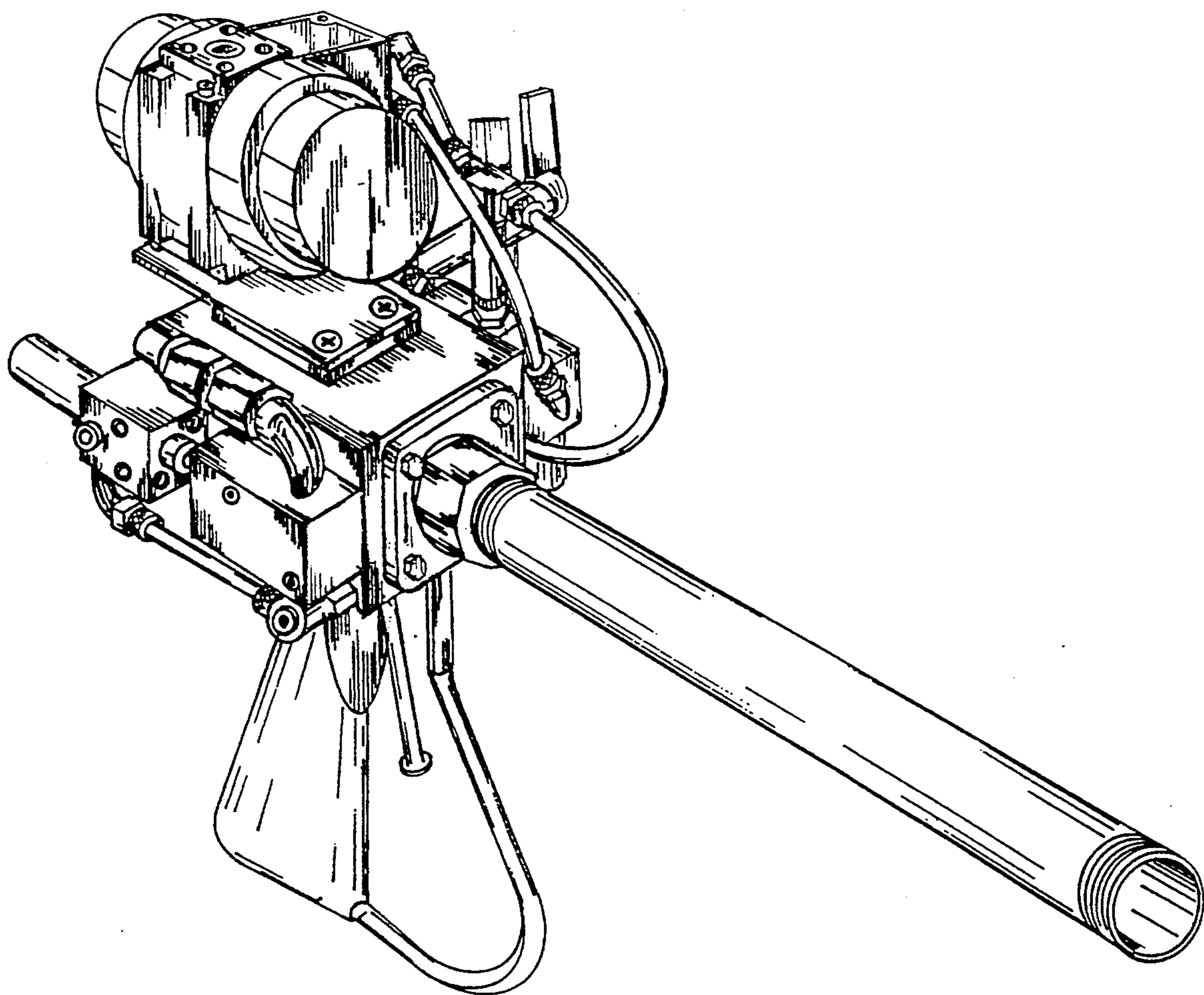
[57] CLAIM

The ornamental design for a dispenser gun, as shown and described.

DESCRIPTION

FIG. 1 is a perspective view of dispenser gun showing my new design;
 FIG. 2 is a rear elevational view;
 FIG. 3 is a front elevational view;
 FIG. 4 is a bottom plan view; and,
 FIG. 5 is a right side elevational view thereof.

[56] **References Cited**
U.S. PATENT DOCUMENTS
 D. 258,908 4/1981 Satoh D32/15 X
 D. 279,319 6/1985 McCloskey et al. D32/15



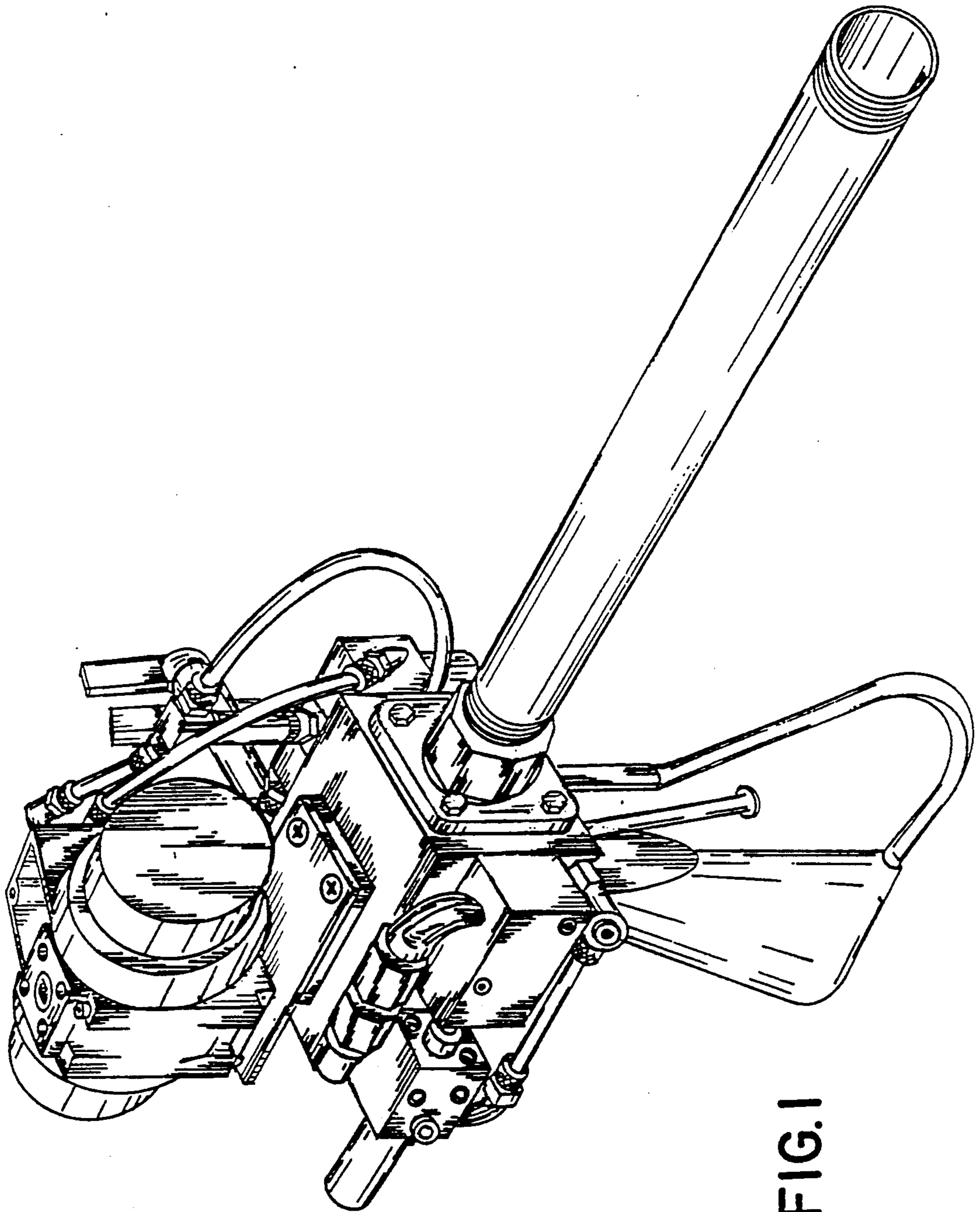


FIG. 1

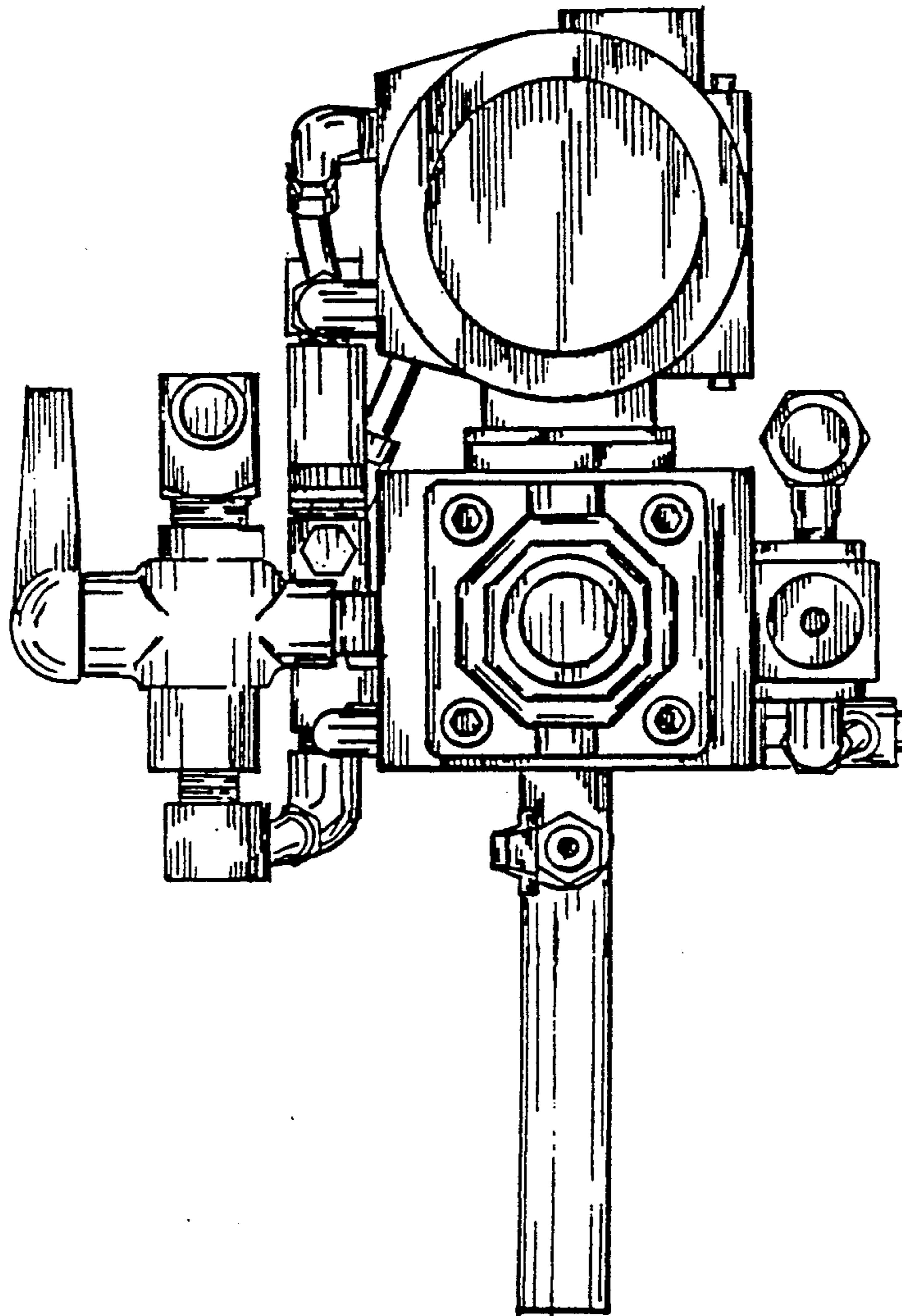


FIG. 2

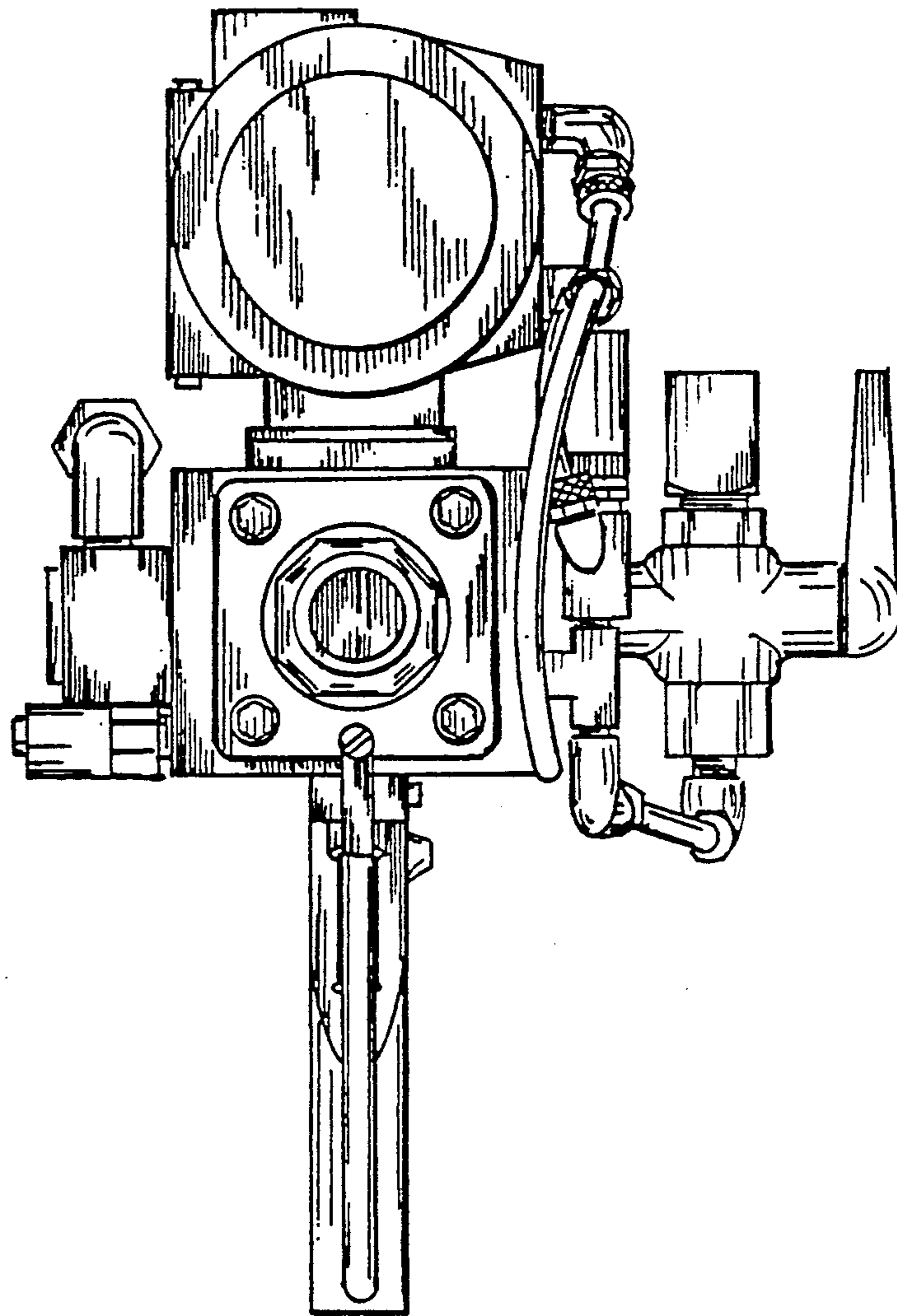


FIG. 3

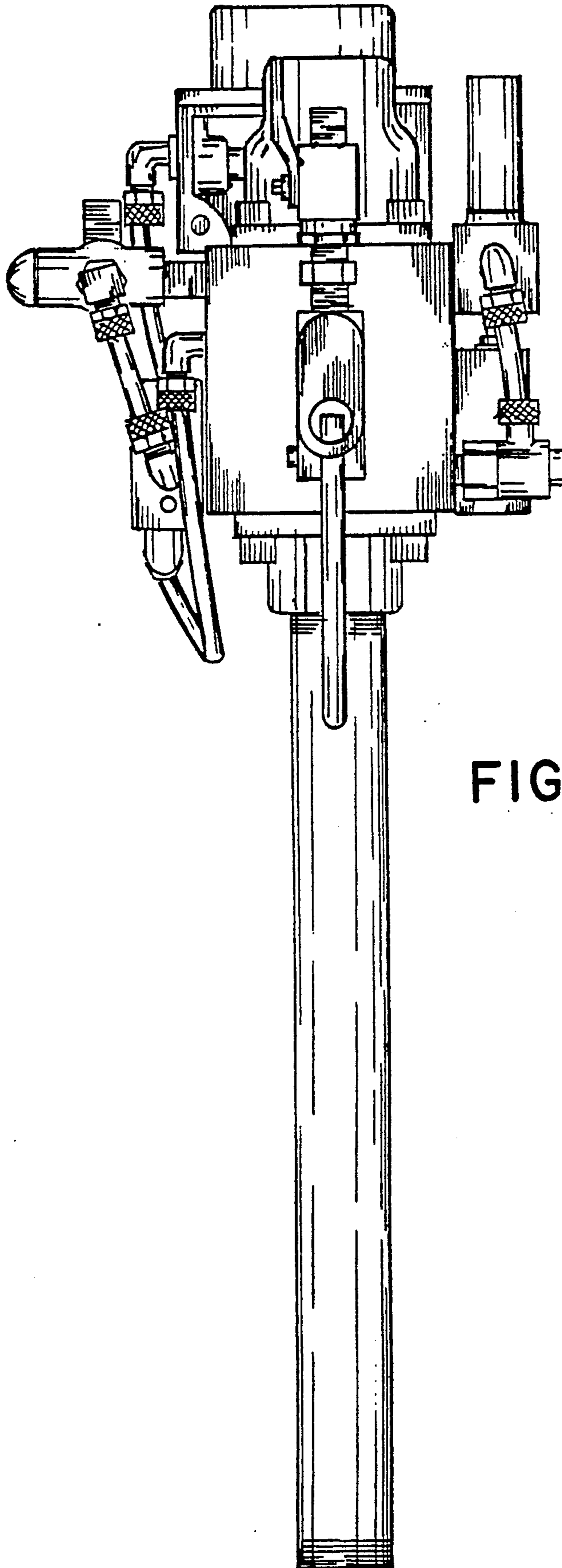


FIG. 4

