



US00D325104S

United States Patent [19]

[11] Patent Number: **Des. 325,104**

Wistrand

[45] Date of Patent: **** Mar. 31, 1992**

[54] HAIR CURLER

[75] Inventor: **John C. Wistrand**, New Canaan, Conn.

[73] Assignee: **Clairol Incorporated**, New York, N.Y.

[**] Term: **14 Years**

[21] Appl. No.: **456,136**

[22] Filed: **Dec. 22, 1989**

[52] U.S. Cl. **D28/37**

[58] Field of Search **D28/35, 37; 132/226, 132/227, 233, 245, 246, 250, 253, 265, 268**

[56] **References Cited**

U.S. PATENT DOCUMENTS

2,555,933	6/1951	Renstrom	D28/37 X
2,698,623	1/1955	Weaver et al.	132/266
2,713,864	7/1955	Solomon	D28/37 X

FOREIGN PATENT DOCUMENTS

247539	10/1963	Australia	132/252
455600	4/1949	Canada	132/253
942765	5/1956	Fed. Rep. of Germany	132/266
943968	6/1956	Fed. Rep. of Germany	132/251
979883	5/1951	France	132/253

Primary Examiner—Bernard Ansher
Assistant Examiner—C. Tuttle

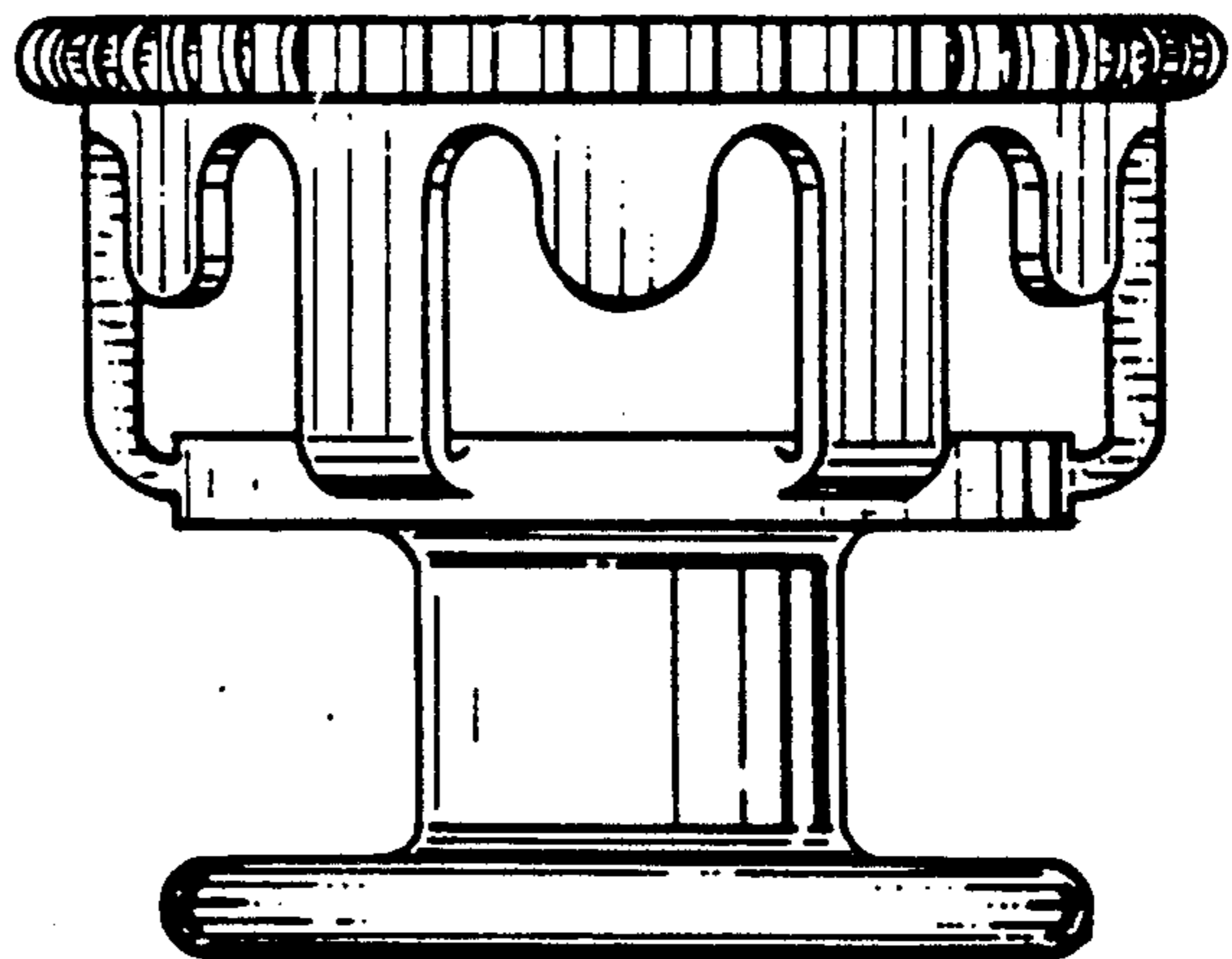
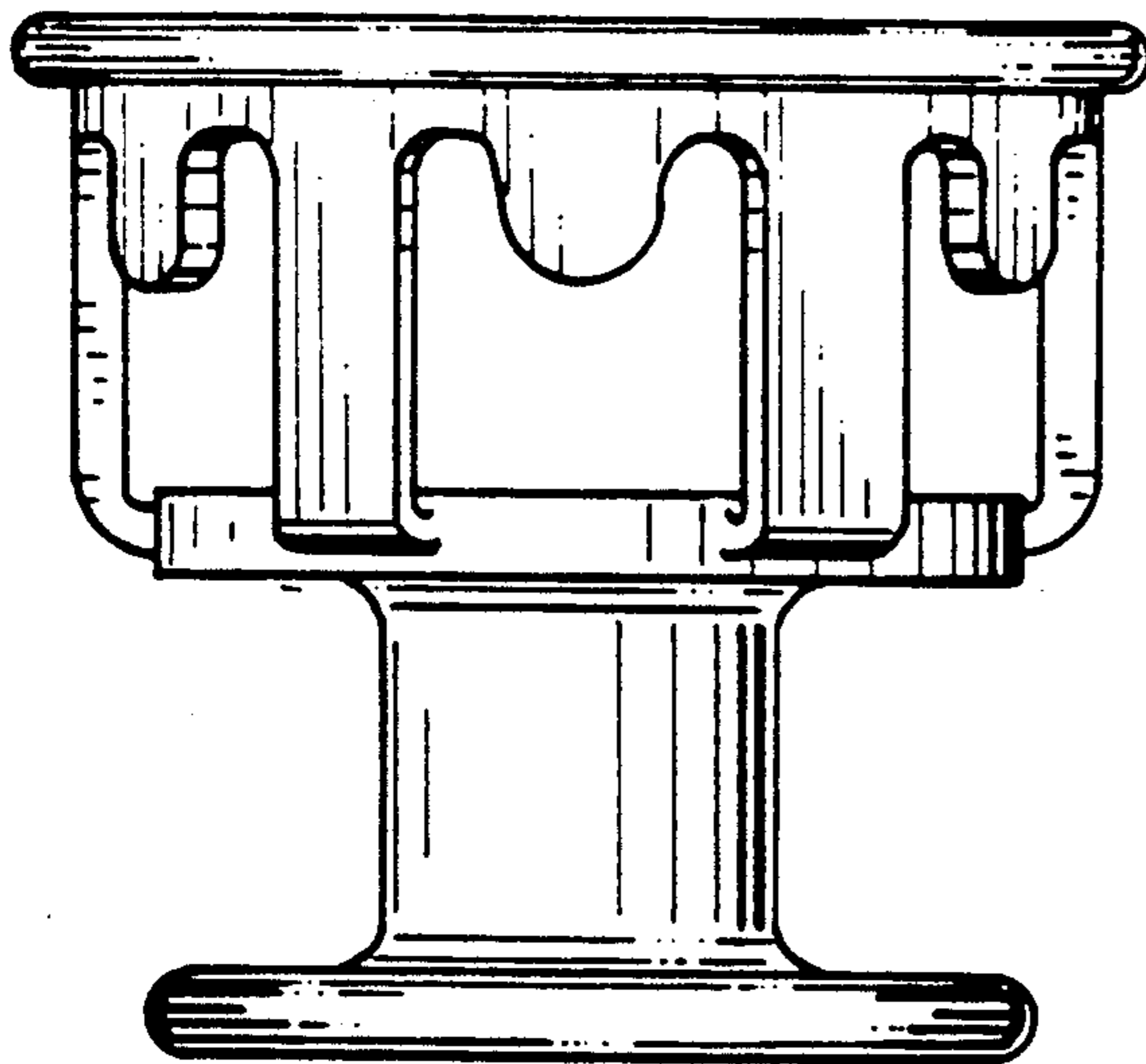
Attorney, Agent, or Firm—Anthony M. Santini; Gene Warzecha

[57] **CLAIM**

The ornamental design for a hair curler, as shown and described.

DESCRIPTION

FIG. 1 is a front elevational view of a hair curler showing my new design, the side opposite being a mirror image of the side shown;
 FIG. 2 is a left side elevational view thereof, the side opposite being a mirror image of the side shown;
 FIG. 3 is a top plan view thereof;
 FIG. 4 is a bottom plan view thereof;
 FIG. 5 is a front elevational view shown in a folded and partially expanded condition;
 FIG. 6 is a front elevational view of a second modified embodiment, the side opposite being a mirror image of the side shown;
 FIG. 7 is a left side elevational view thereof, the side opposite being a mirror image of the side shown;
 FIG. 8 is a top plan view thereof;
 FIG. 9 is a bottom plan view thereof;
 FIG. 10 is a front elevational view of a third modified embodiment, the side opposite being a mirror image of the side shown;
 FIG. 11 is a left side elevational view thereof, the side opposite being a mirror image of the side shown;
 FIG. 12 is a top plan view thereof; and,
 FIG. 13 is a bottom plan view thereof.



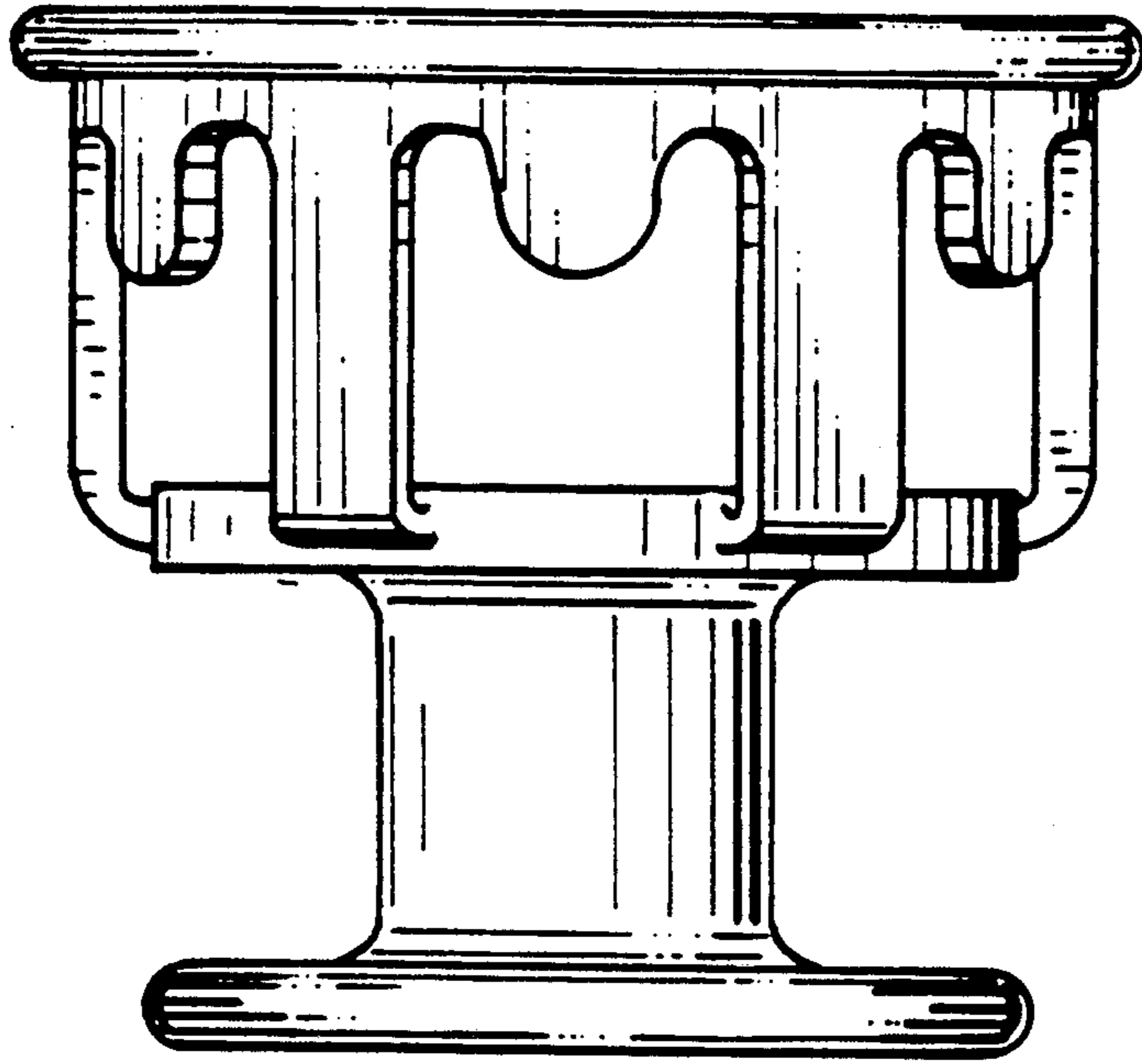


FIG. 1

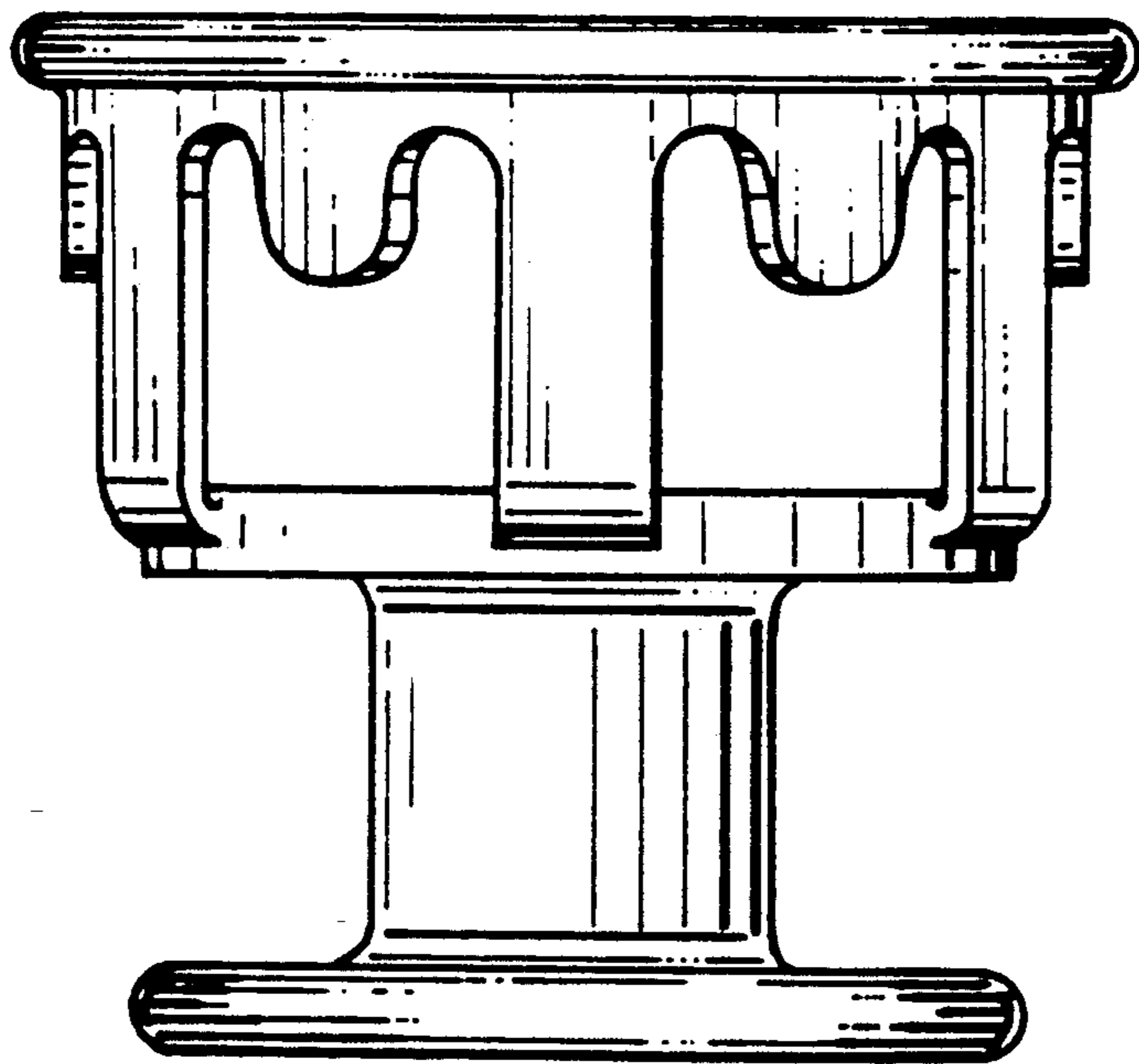


FIG. 2

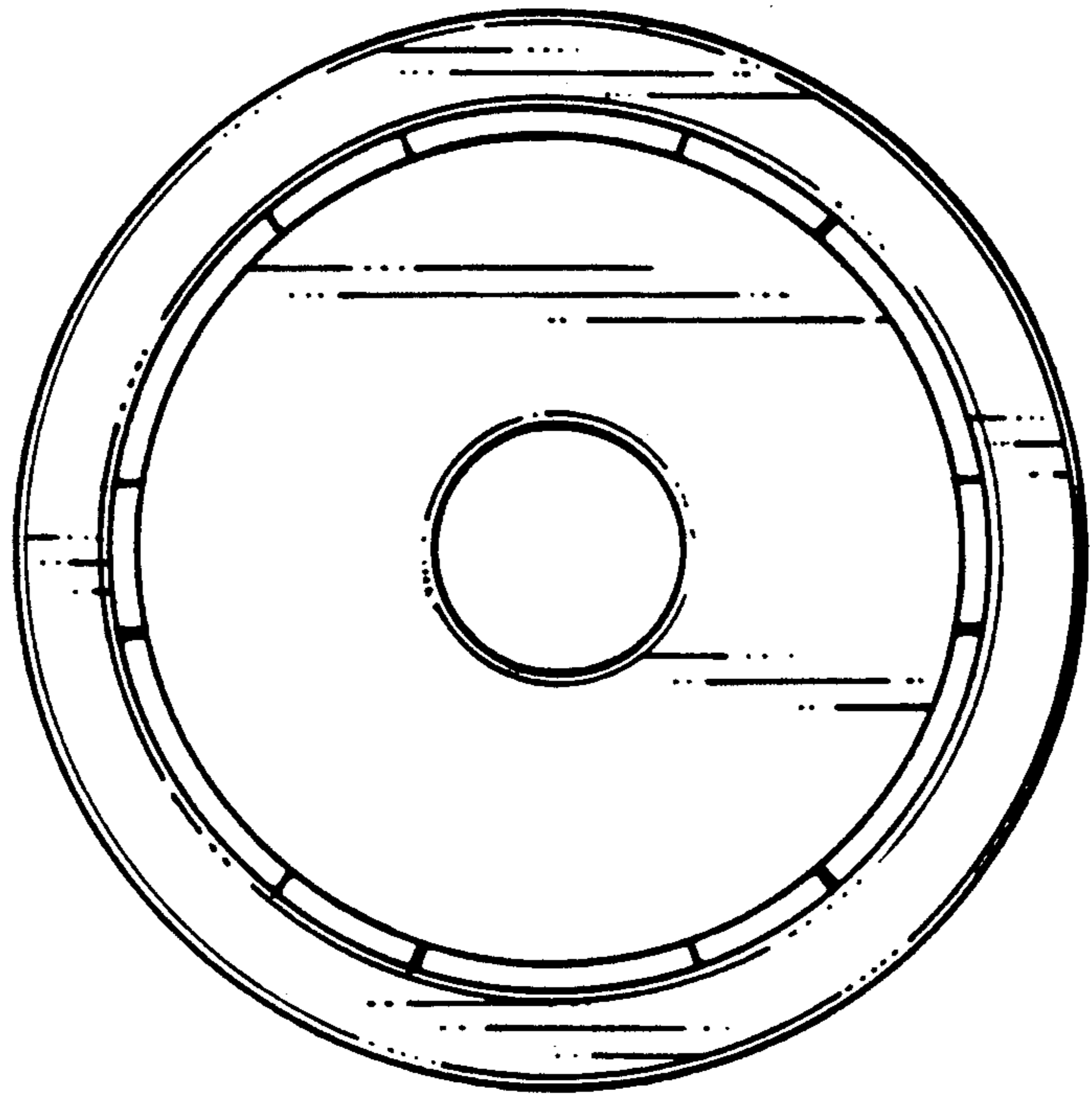


FIG. 3

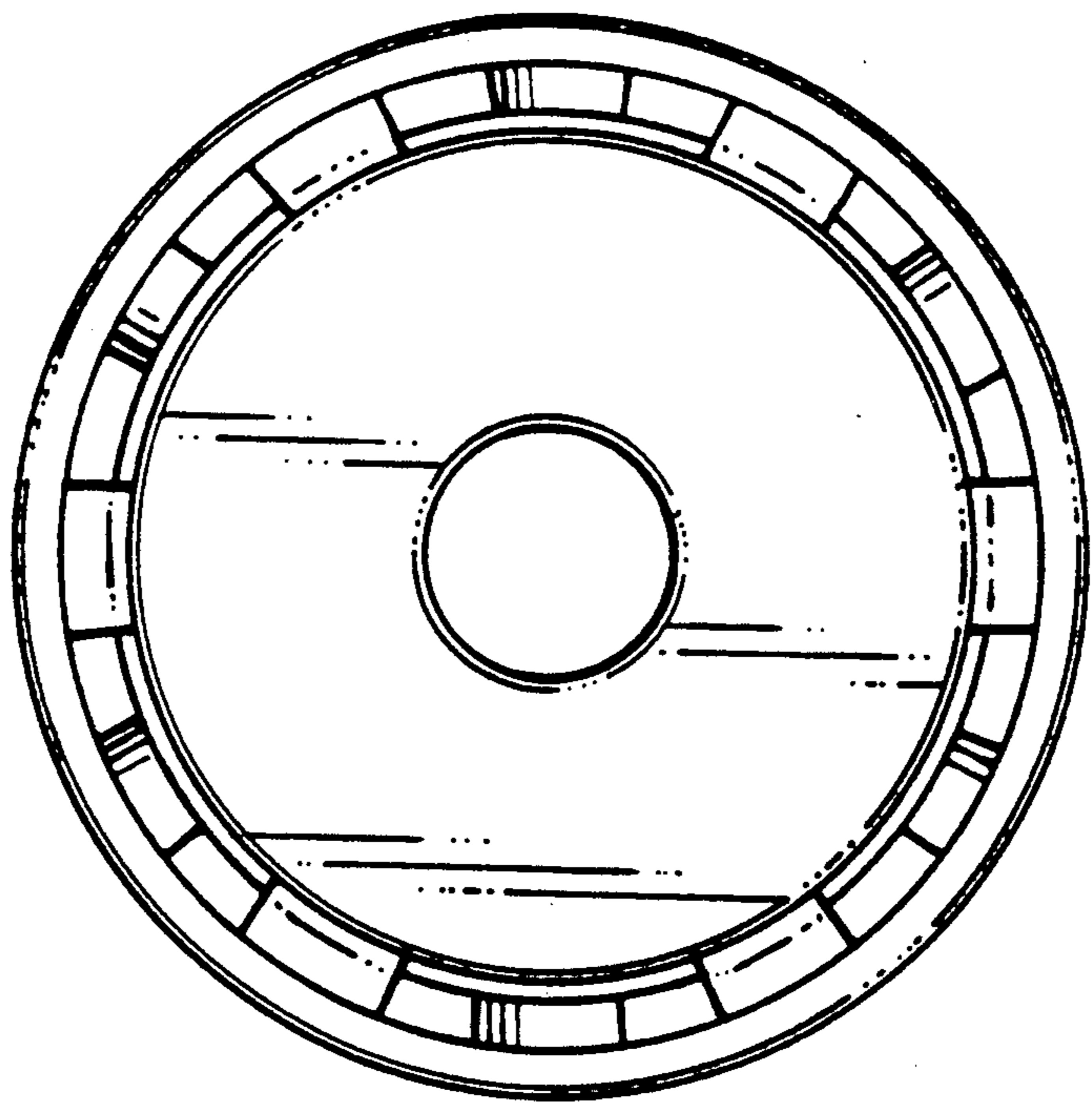


FIG. 4

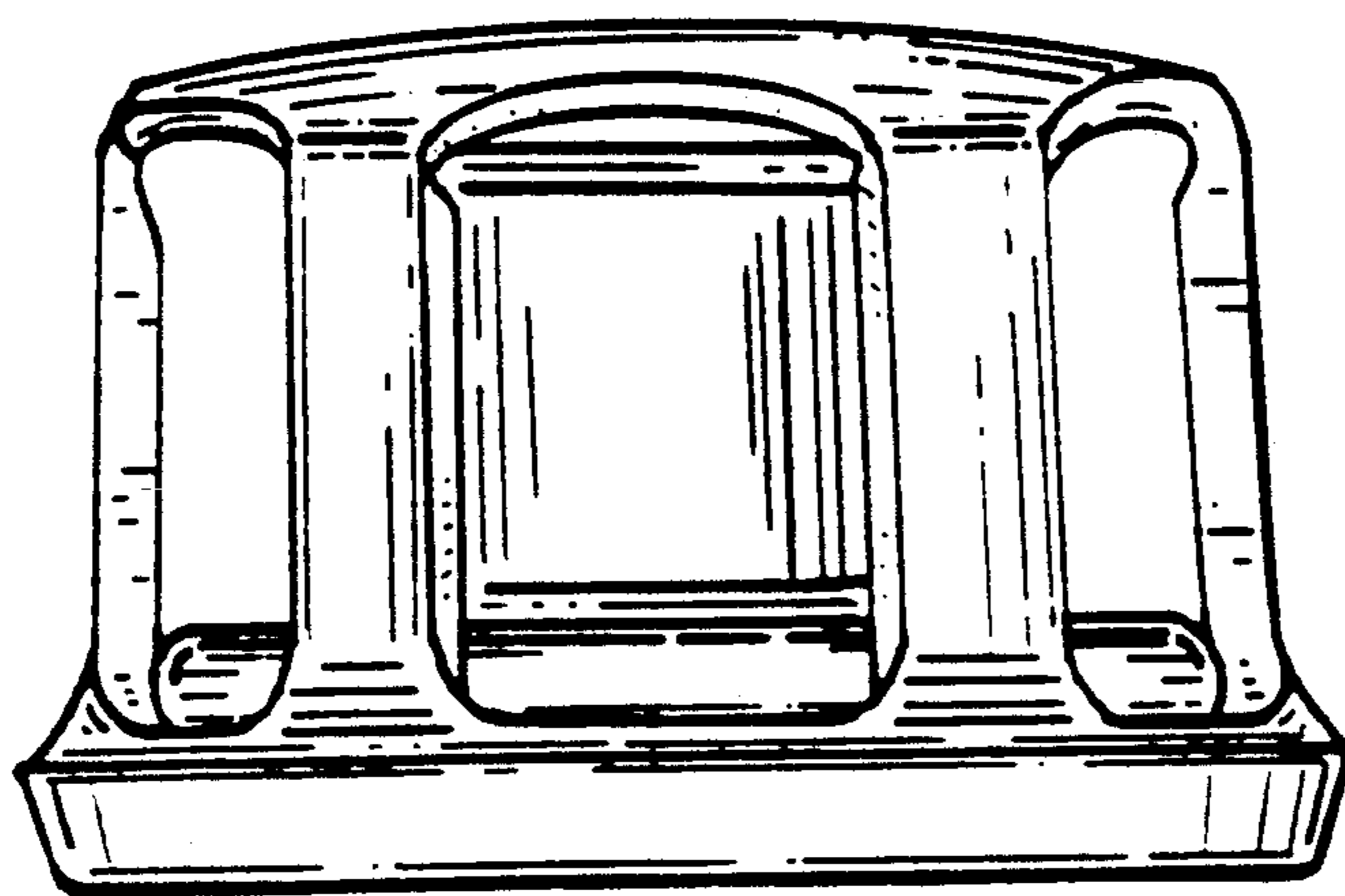


FIG. 5

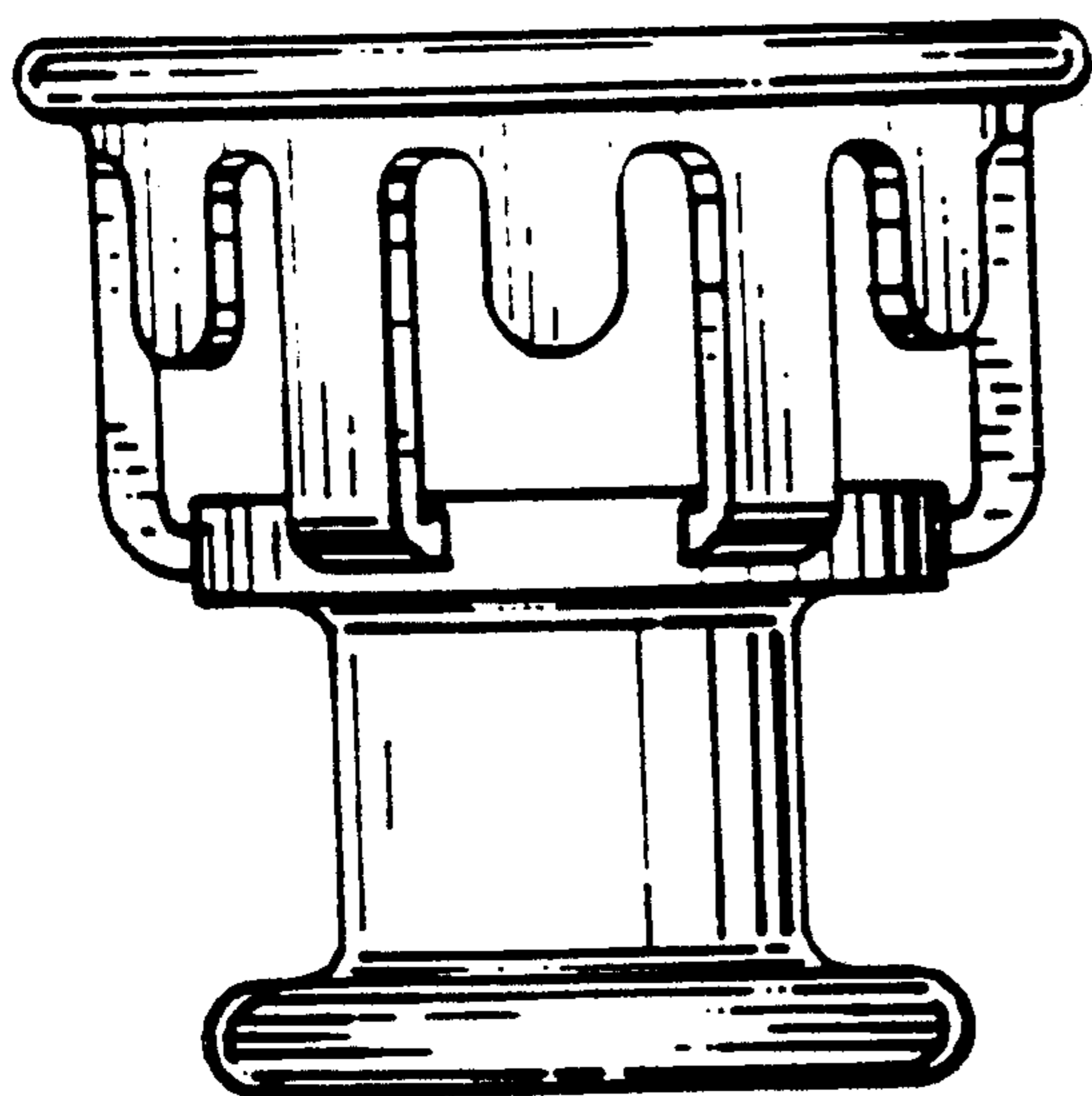


FIG. 6

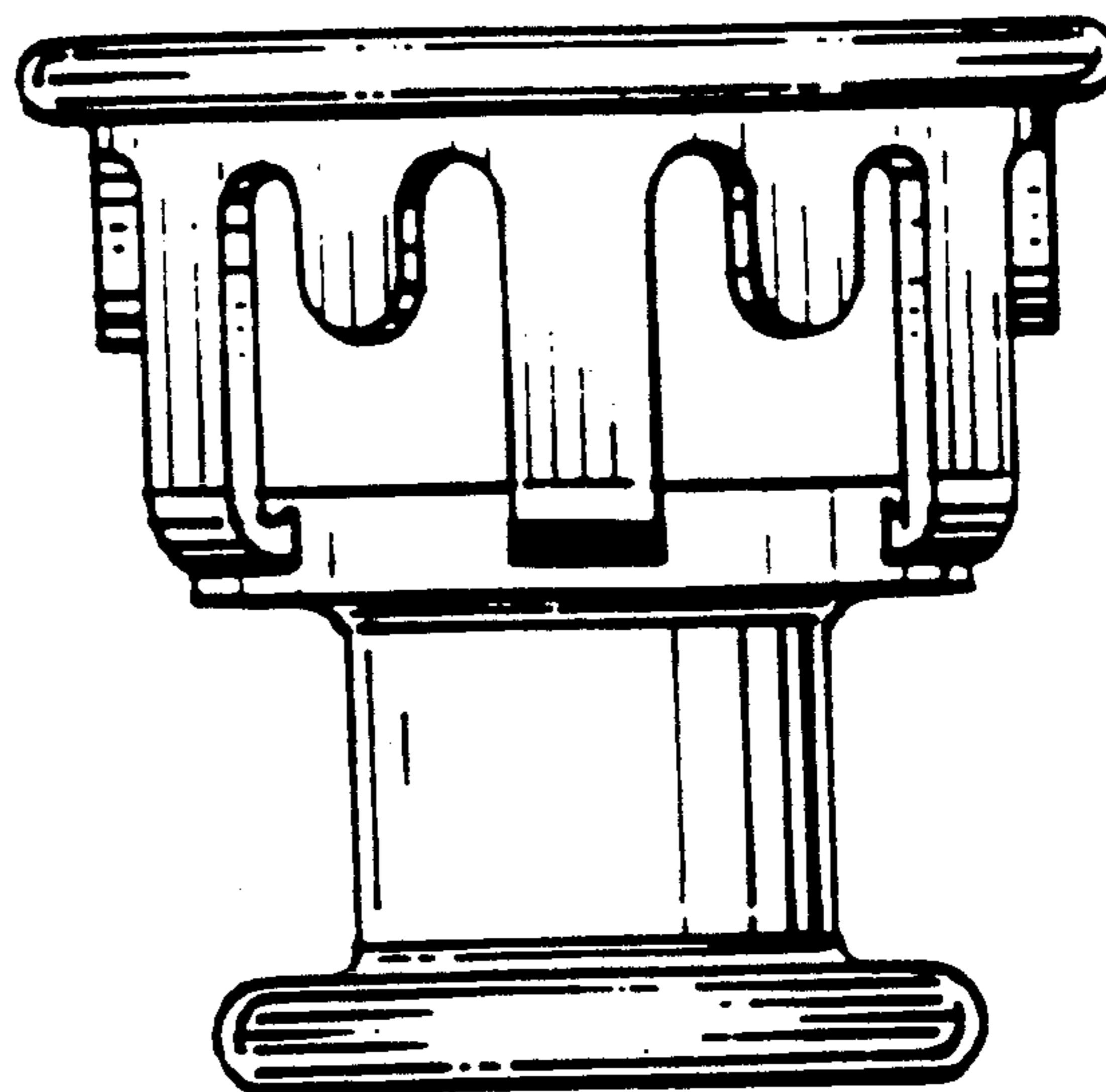


FIG. 7

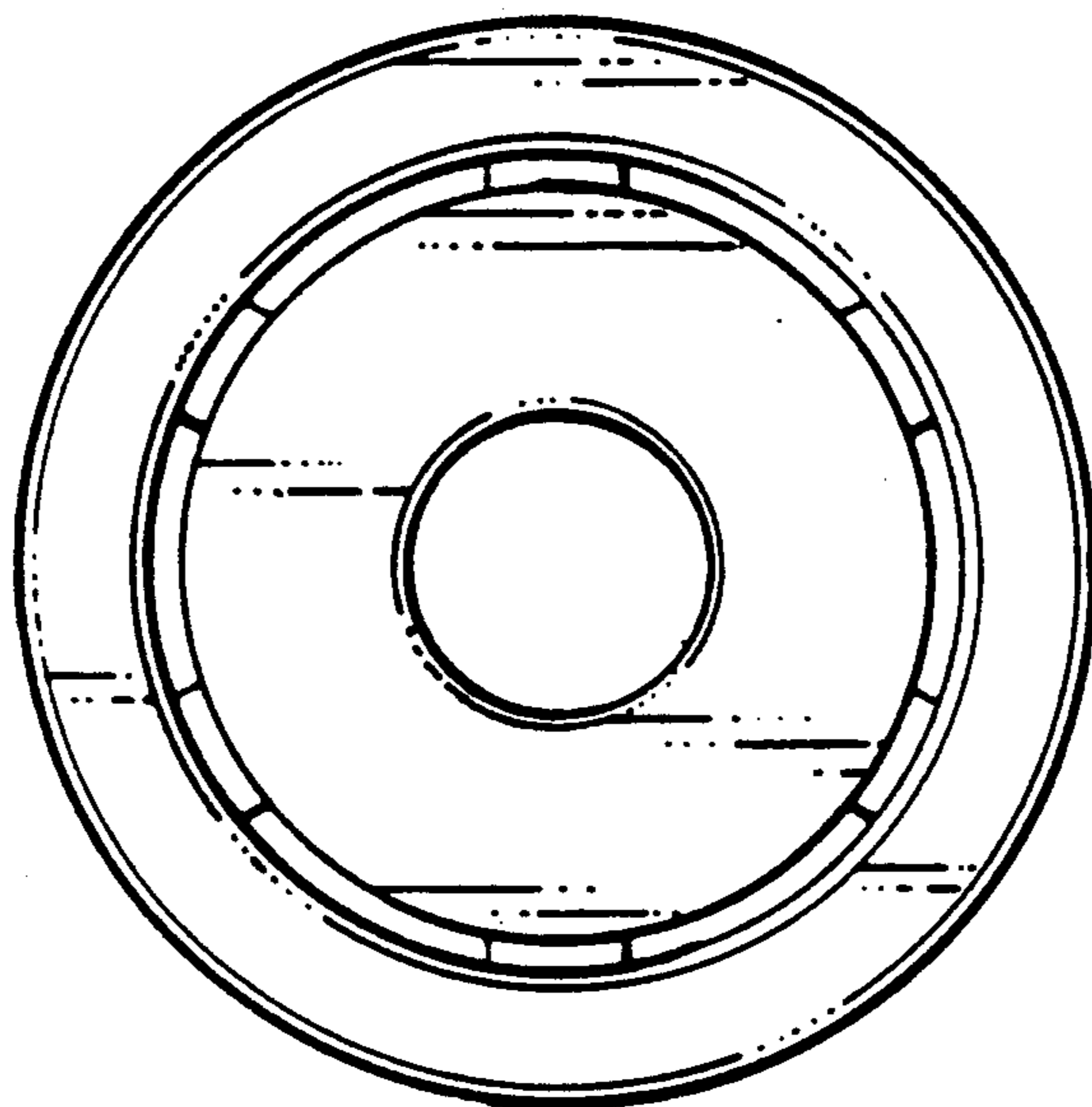


FIG. 8

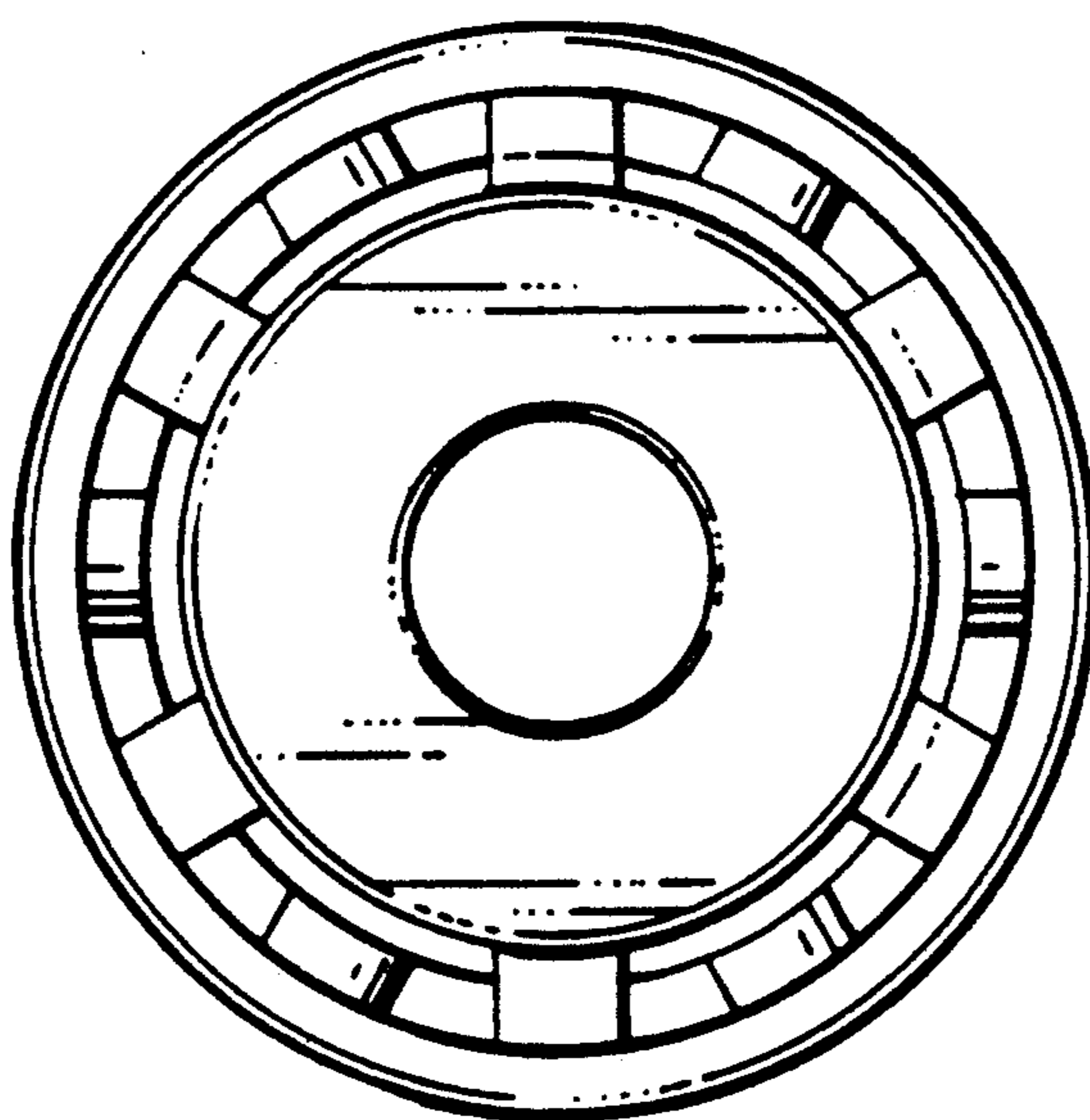


FIG. 9

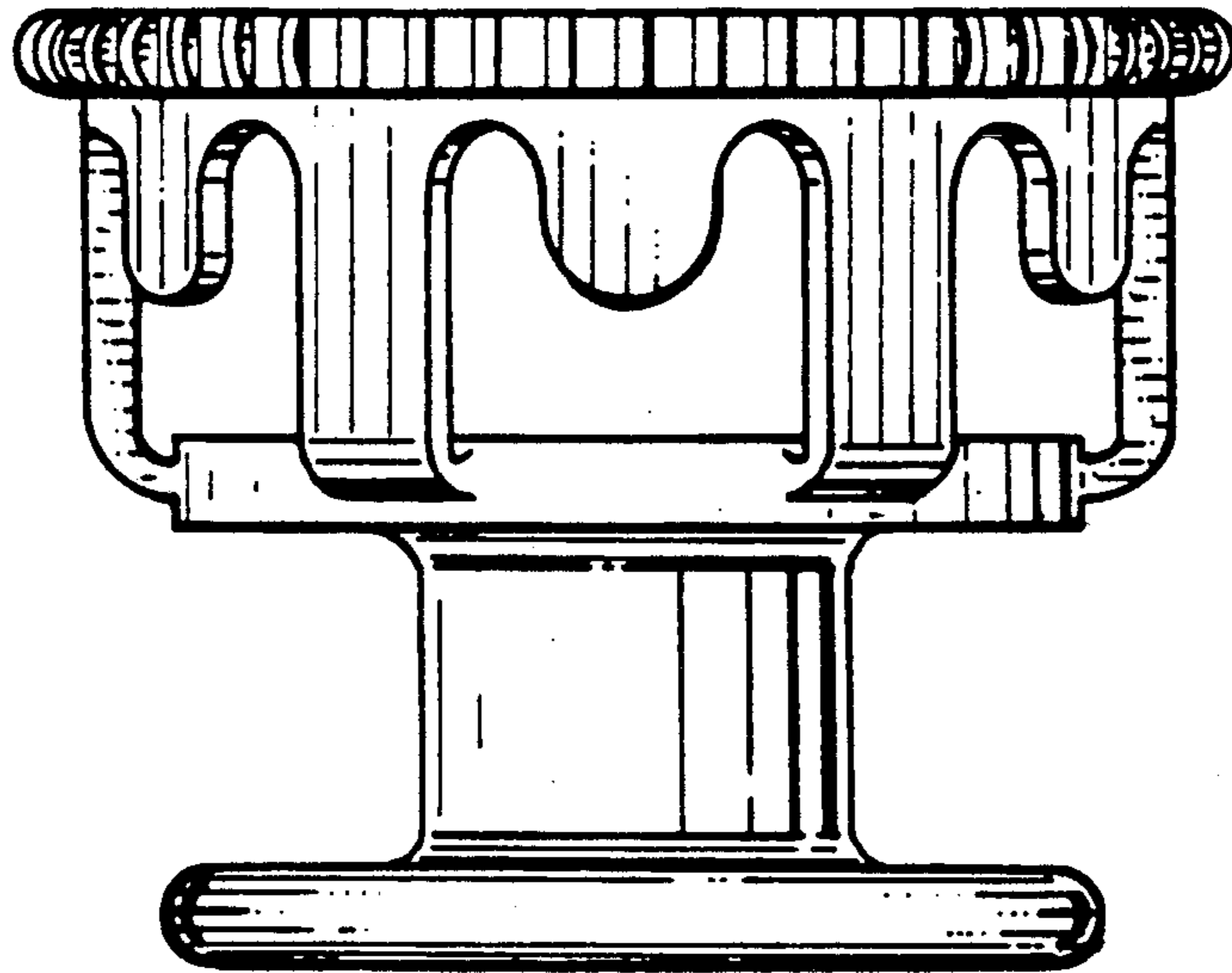


FIG. 10

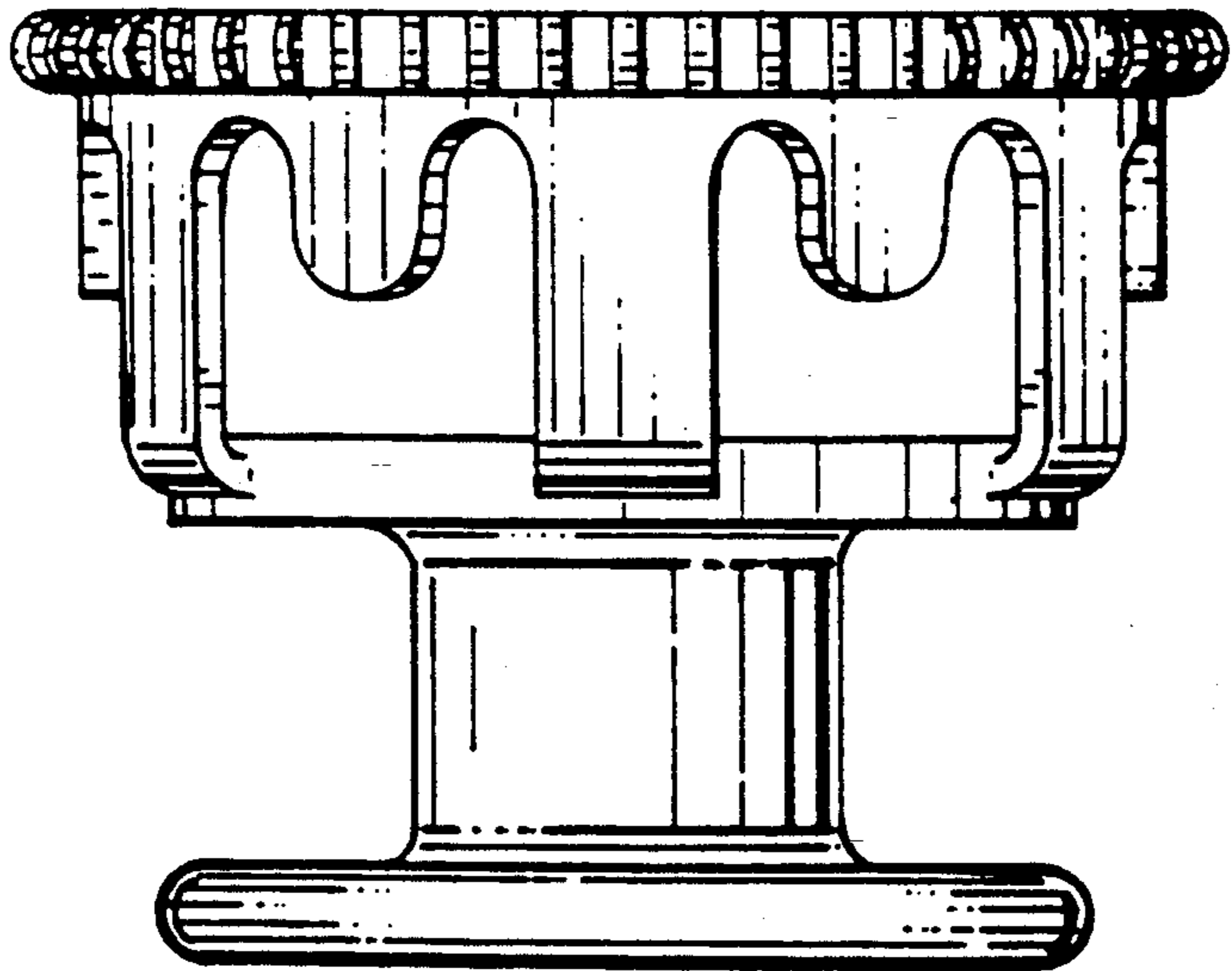


FIG. 11

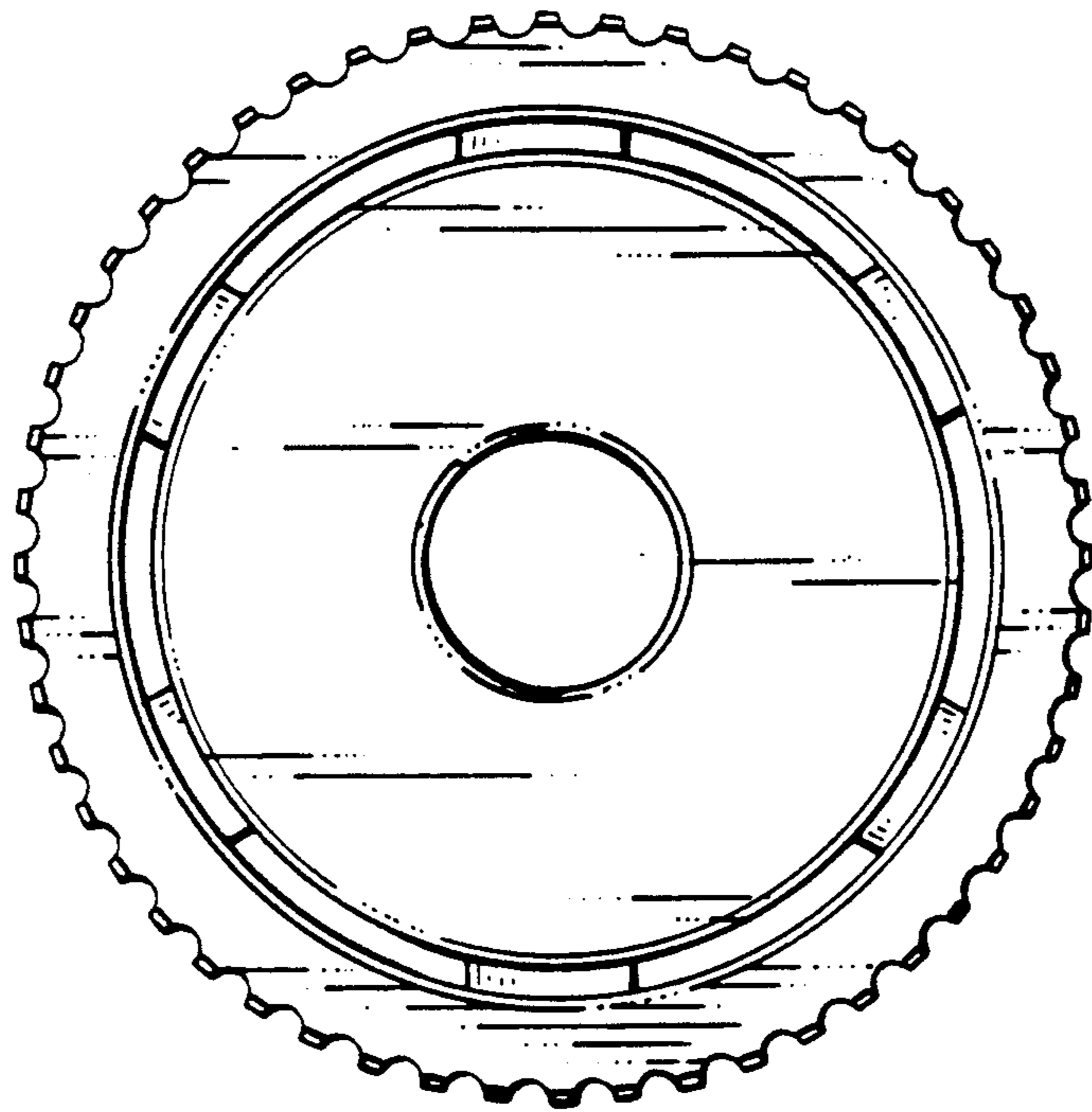


FIG. 12

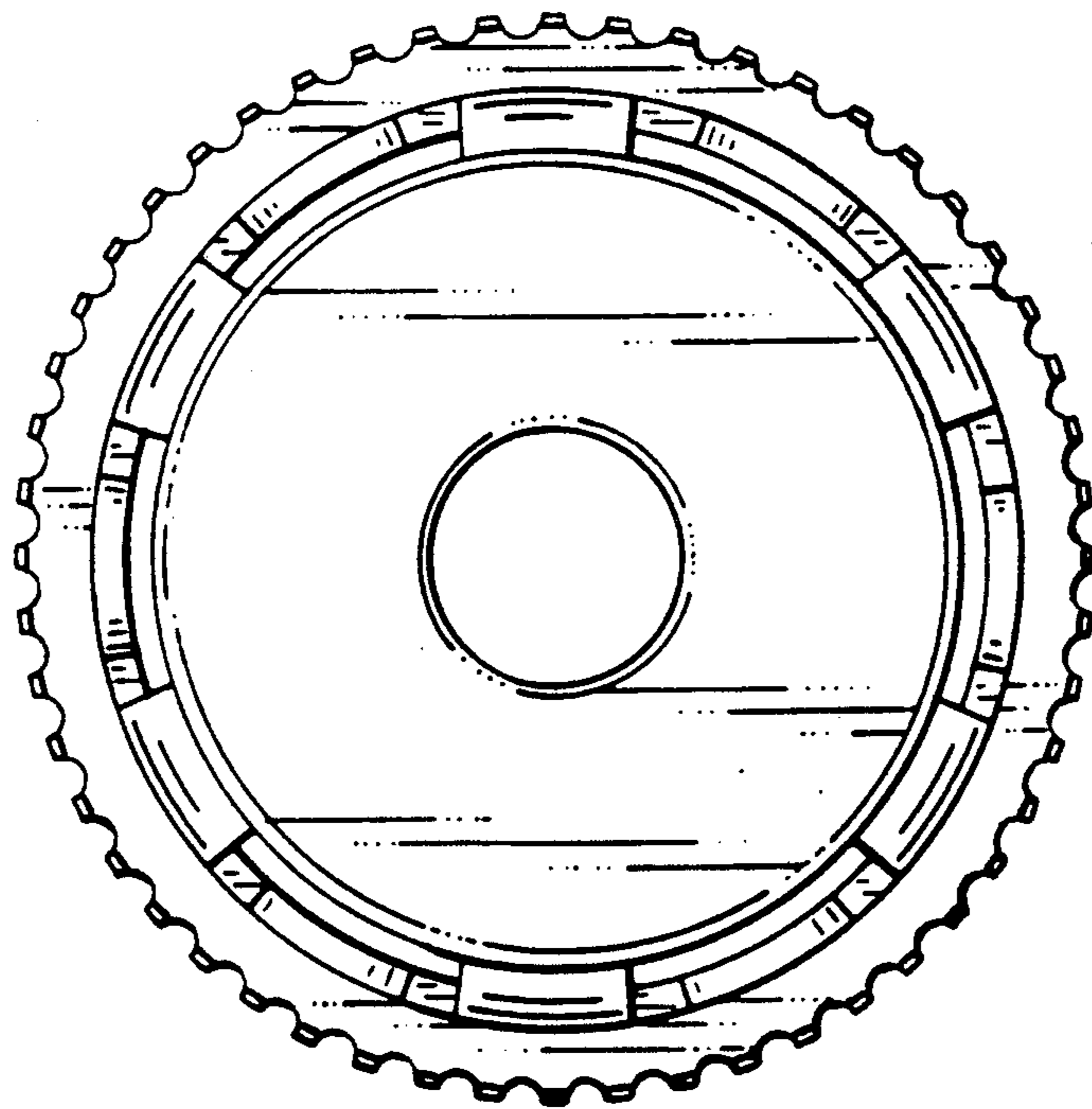


FIG. 13