



US00D325101S

# United States Patent [19]

[11] Patent Number: **Des. 325,101**

Liu

[45] Date of Patent: **\*\* Mar. 31, 1992**

## [54] GLASS DESK LAMP

[76] Inventor: **C. H. Liu**, No. 8, Lane 244, Sec. 5, Yen-Ping N. Rd., Taipei, Taiwan

[\*\*] Term: **14 Years**

[21] Appl. No.: **261,024**

[22] Filed: **Oct. 20, 1988**

[52] U.S. Cl. .... **D26/61; D26/93**

[58] Field of Search ..... **D26/60-66, D26/93, 102-112; 362/410-414, 269, 275, 287, 360, 427**

## [56] References Cited

### U.S. PATENT DOCUMENTS

D. 155,588	10/1949	Finke .....	D26/104
1,806,852	5/1931	Hamlyn .....	362/360
3,748,463	7/1973	Trassinelli .....	362/269
4,779,175	10/1988	Chernack .....	362/287 X

## OTHER PUBLICATIONS

Homelighting & Accessories, 4-1987, p. 62, Table Lamp.

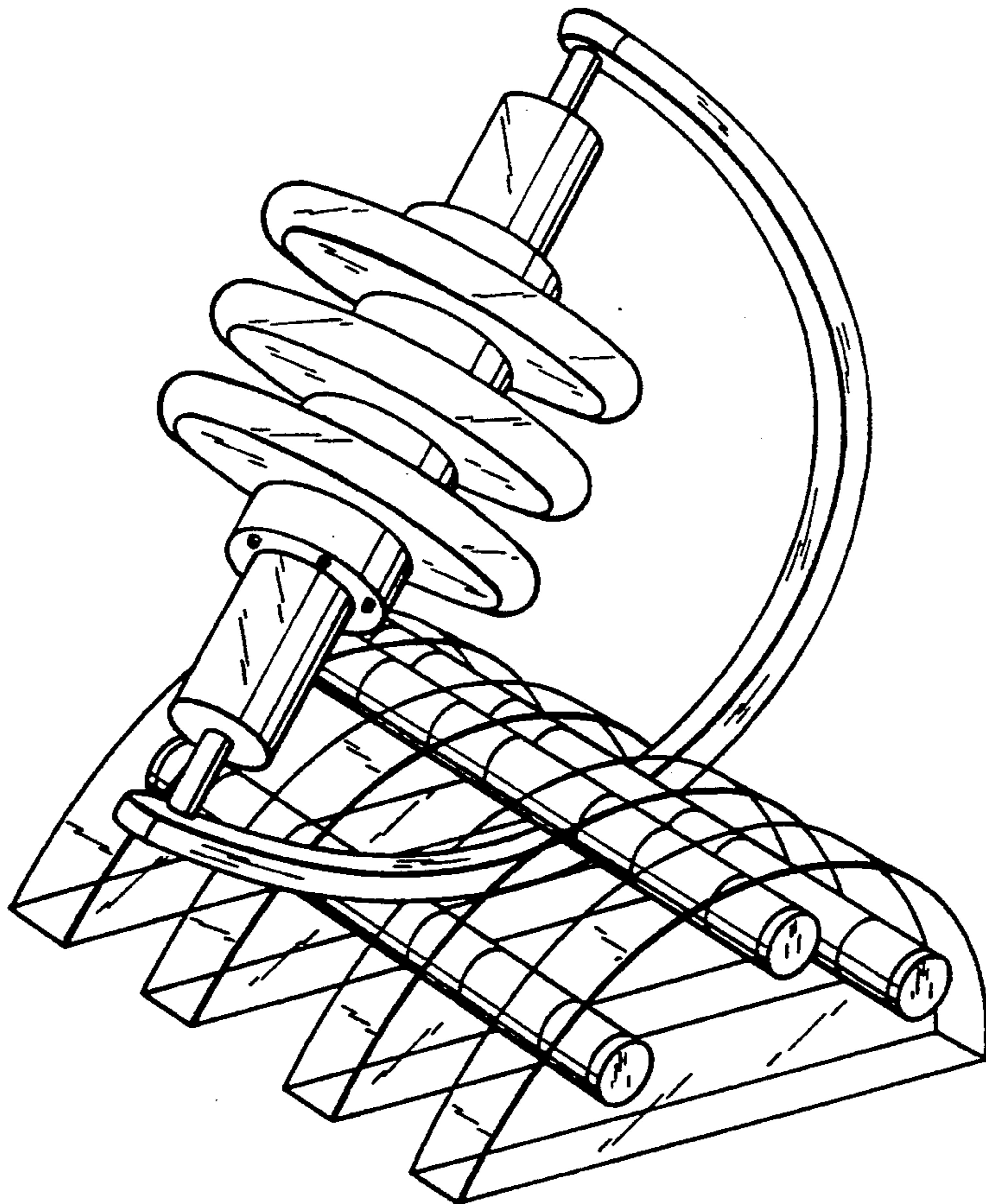
*Primary Examiner*—Susan J. Lucas  
*Attorney, Agent, or Firm*—Lowe, Price, LeBlanc & Becker

## [57] CLAIM

The ornamental design for a glass desk lamp, as shown and described.

## DESCRIPTION

FIG. 1 is a top, front, left side perspective view of a desk lamp showing my new design;  
 FIG. 2 is a front elevational view thereof, the rear being a mirror image;  
 FIG. 3 is a left side elevational view thereof;  
 FIG. 4 is a right side elevational view thereof;  
 FIG. 5 is a bottom plan view thereof; and,  
 FIG. 6 is a top plan view thereof.



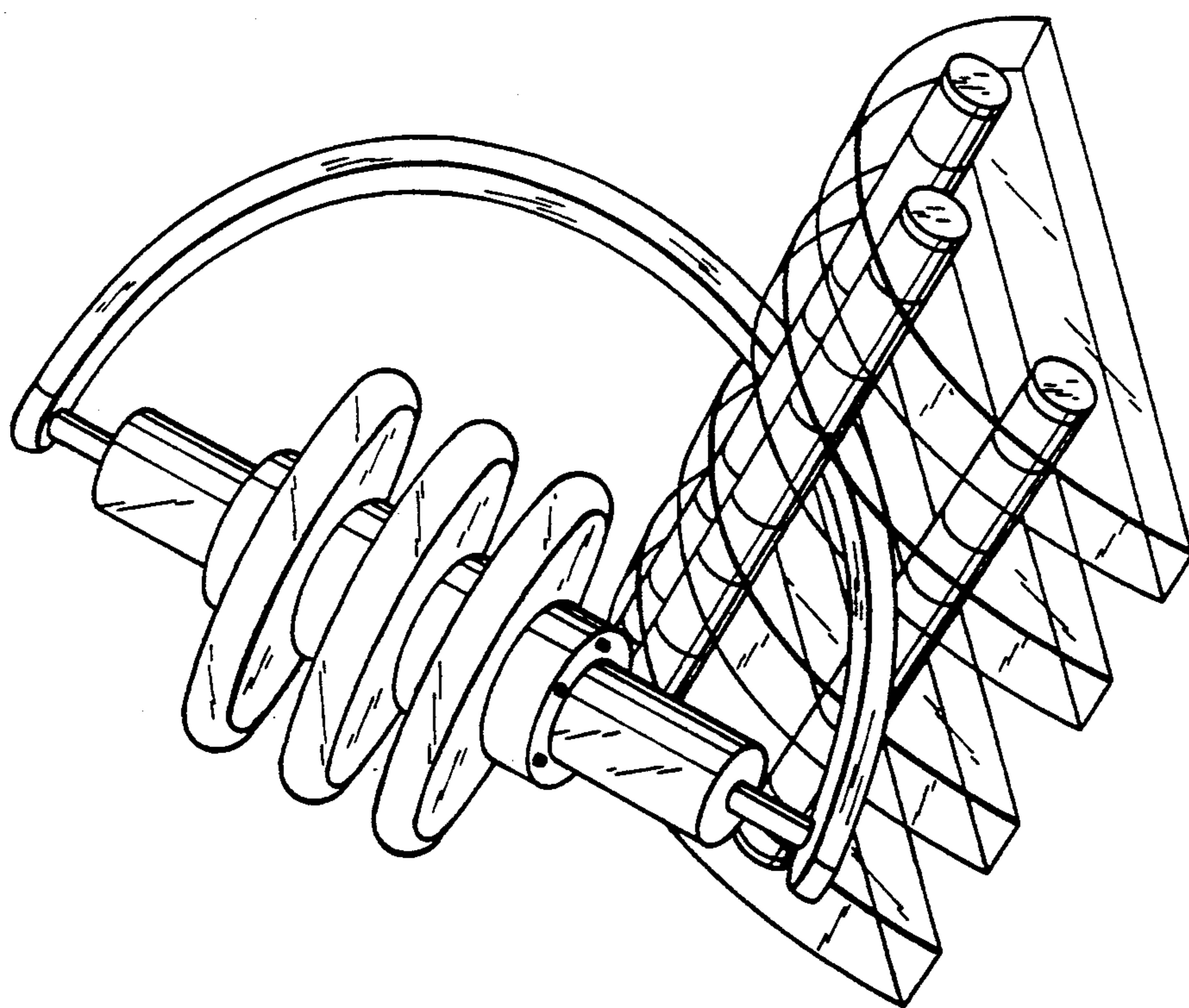


FIG. 1

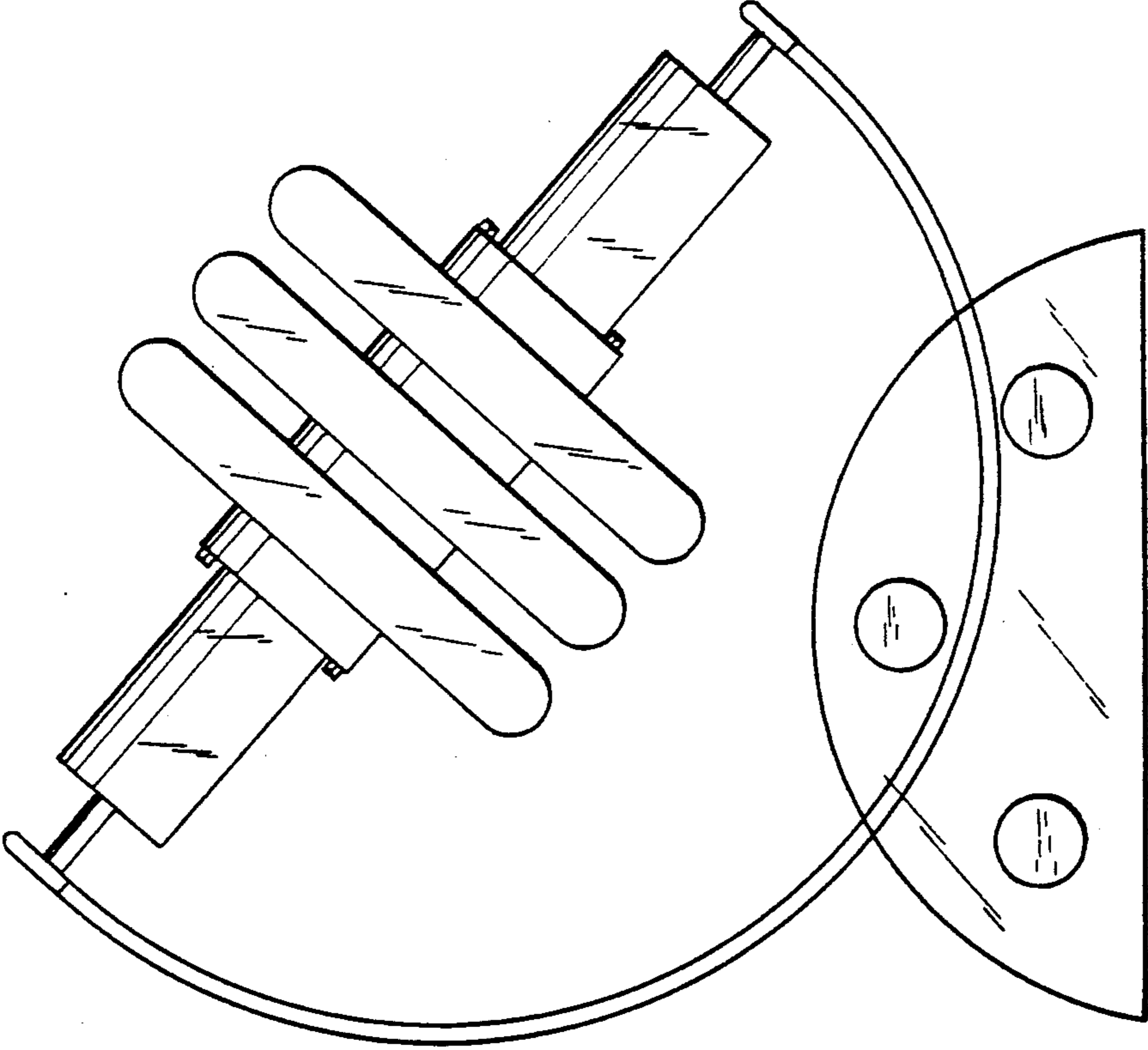


FIG. 2

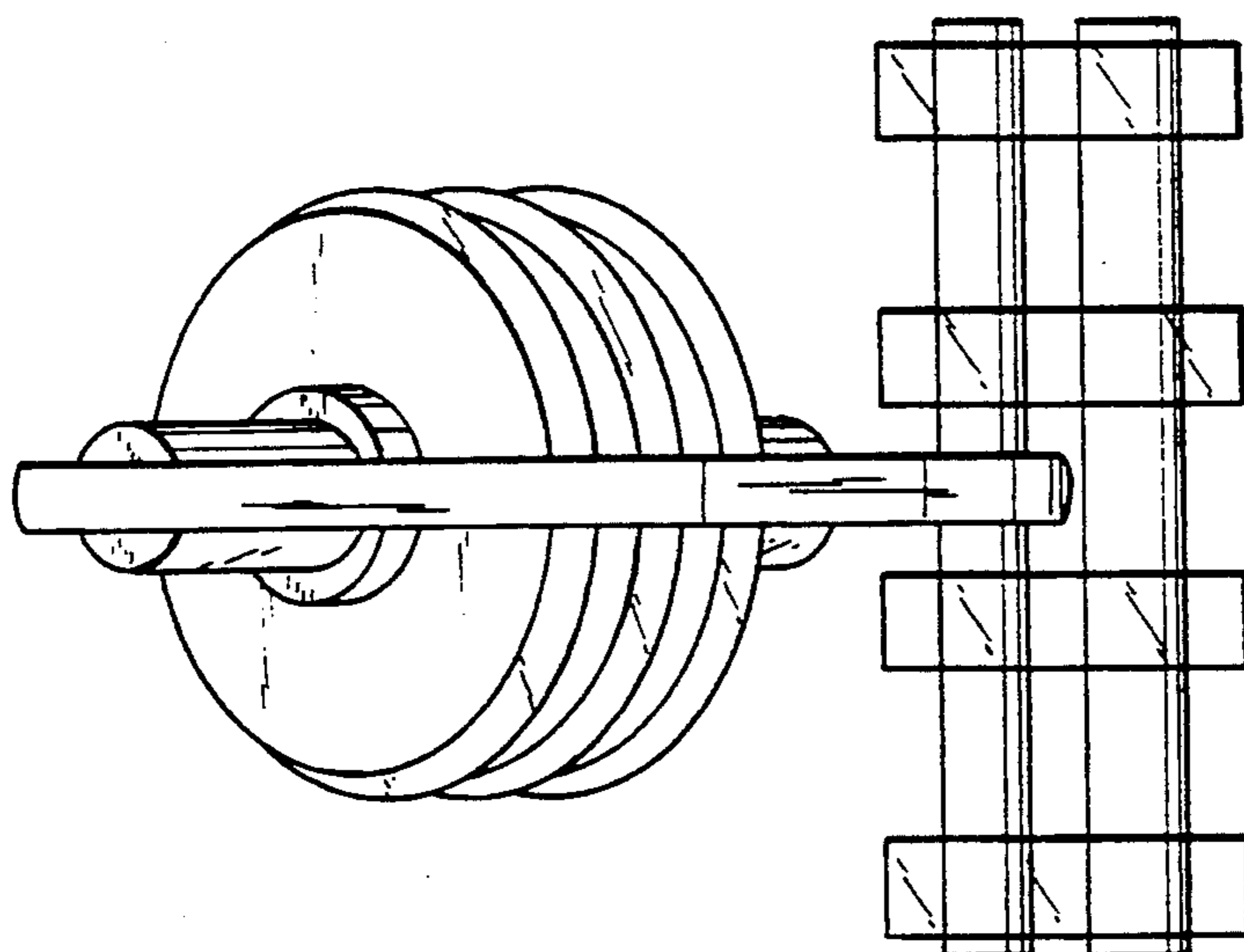


FIG. 4

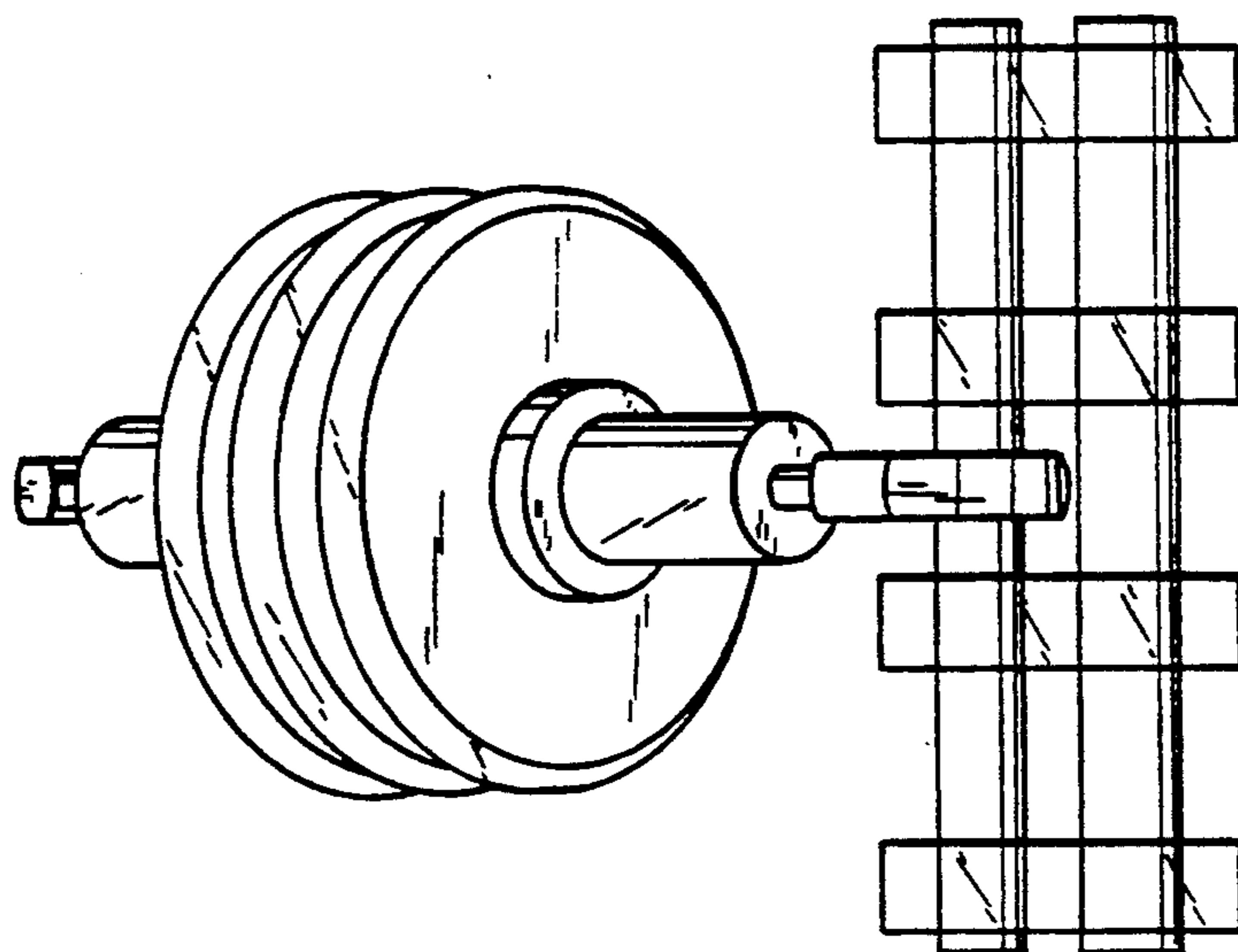


FIG. 3

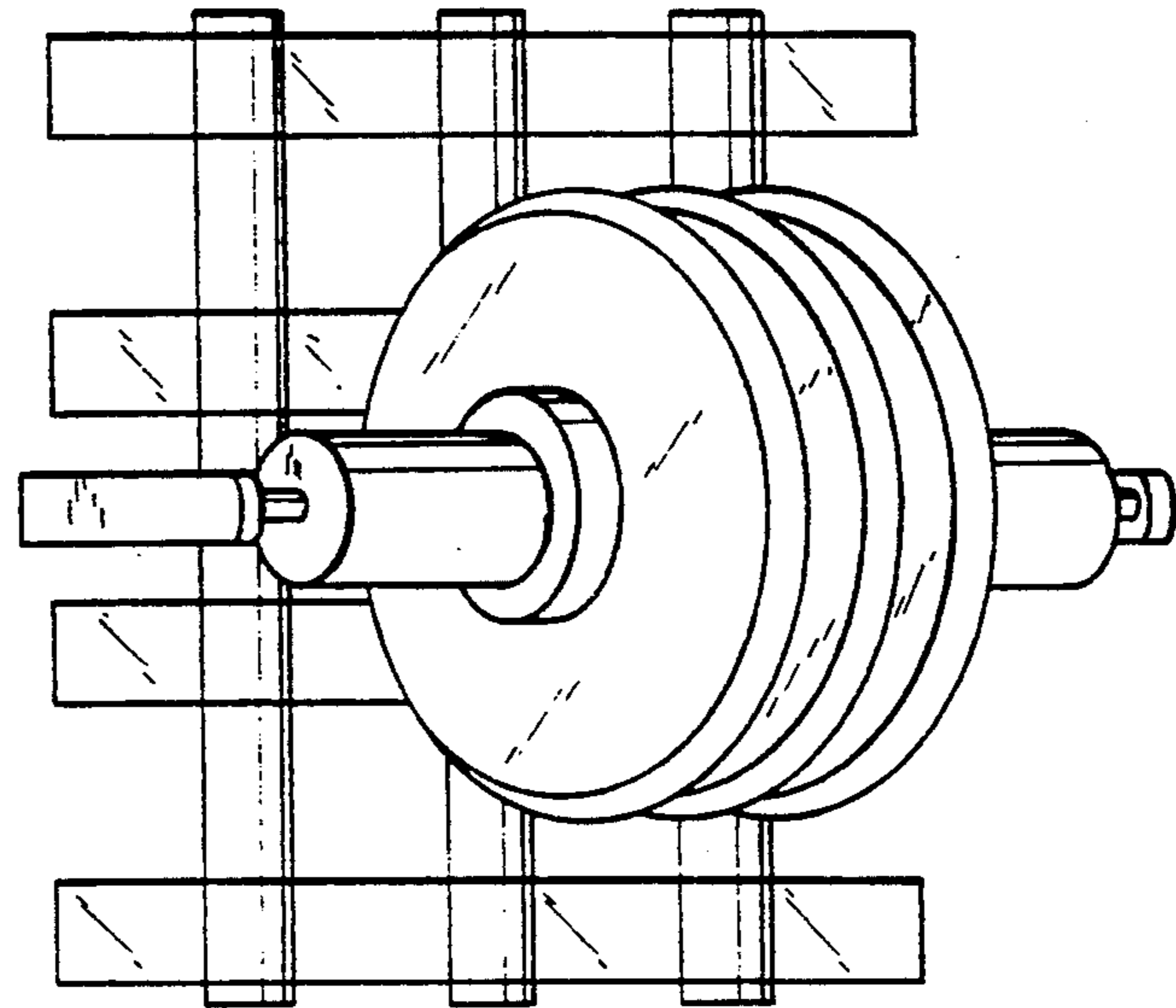


FIG. 6

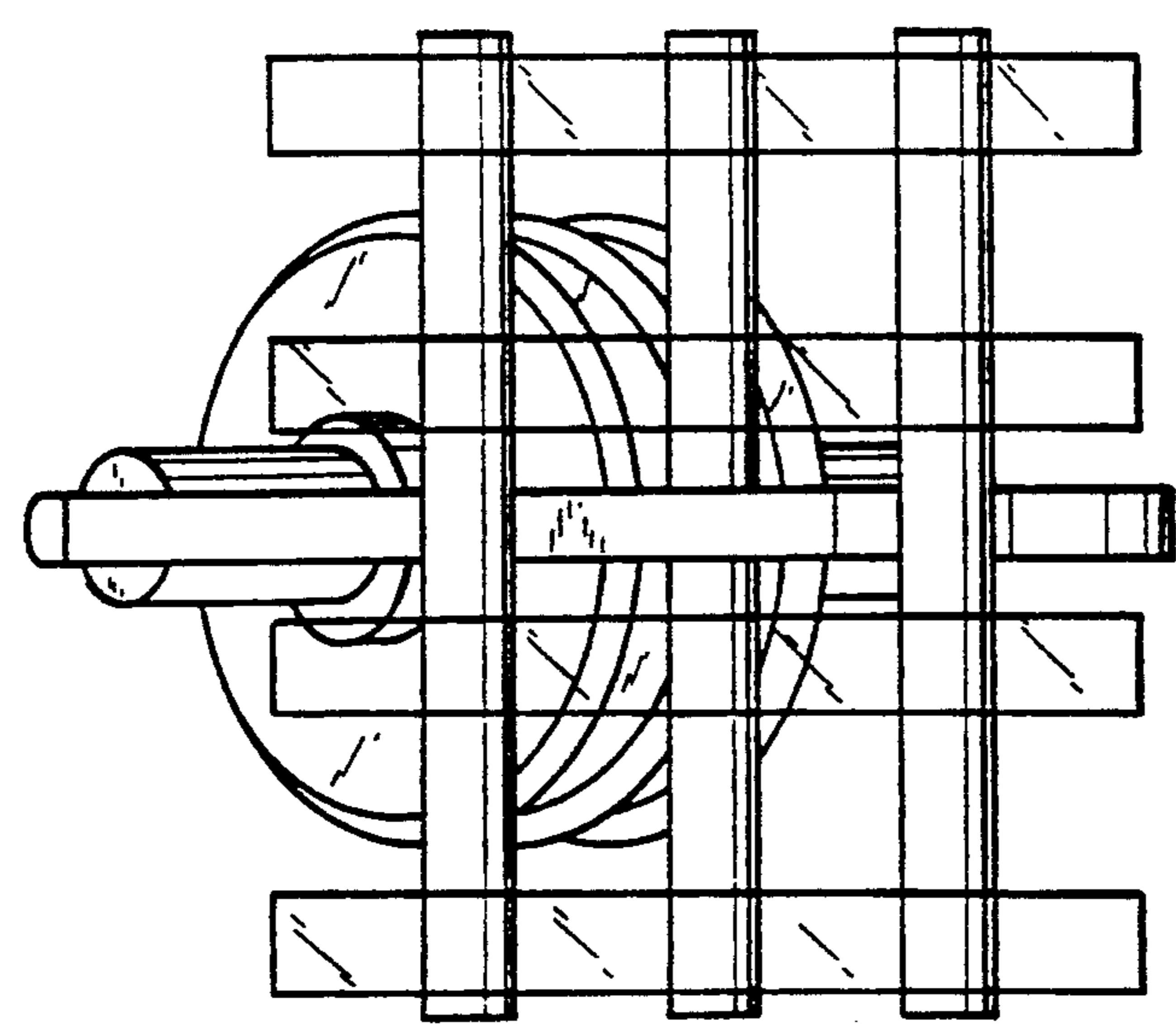


FIG. 5