



US00D325099S

United States Patent [19]
Fredlund

[11] **Patent Number: Des. 325,099**

[45] **Date of Patent: ** Mar. 31, 1992**

[54] **FLASHLIGHT**

[76] **Inventor: Bradley A. Fredlund, 13243 Rattlesnake, Grass Valley, Calif. 95945**

[**] **Term: 14 Years**

[21] **Appl. No.: 494,264**

[22] **Filed: Mar. 15, 1990**

[52] **U.S. Cl. D26/37**

[58] **Field of Search D26/37-50; 362/157, 158, 183-208**

[56] **References Cited**

U.S. PATENT DOCUMENTS

D. 297,571	9/1988	Mann	D26/37
D. 310,574	9/1990	Trattner	D26/44
1,651,451	12/1927	Fish	362/190
3,758,773	9/1973	Nau	240/10.6 R
4,249,233	2/1981	Gatton	362/103
4,400,763	8/1983	Kribs et al.	362/103
4,438,483	3/1984	Gulliksen et al.	362/183

Primary Examiner—Susan J. Lucas
Attorney, Agent, or Firm—Henderson & Sturm

[57] **CLAIM**

The ornamental design for a flashlight, as shown and described.

DESCRIPTION

FIG. 1 is a top, front left side perspective view of a flashlight showing my new design;
FIG. 2 is a front elevational view thereof on an enlarged scale;
FIG. 3 is a rear elevational view thereof on an enlarged scale;
FIG. 4 is a right side elevational view thereof on an enlarged scale;
FIG. 5 is a left side elevational view thereof on an enlarged scale;
FIG. 6 is a top plan view thereof on an enlarged scale; and,
FIG. 7 is a bottom plan view thereof on an enlarged scale.

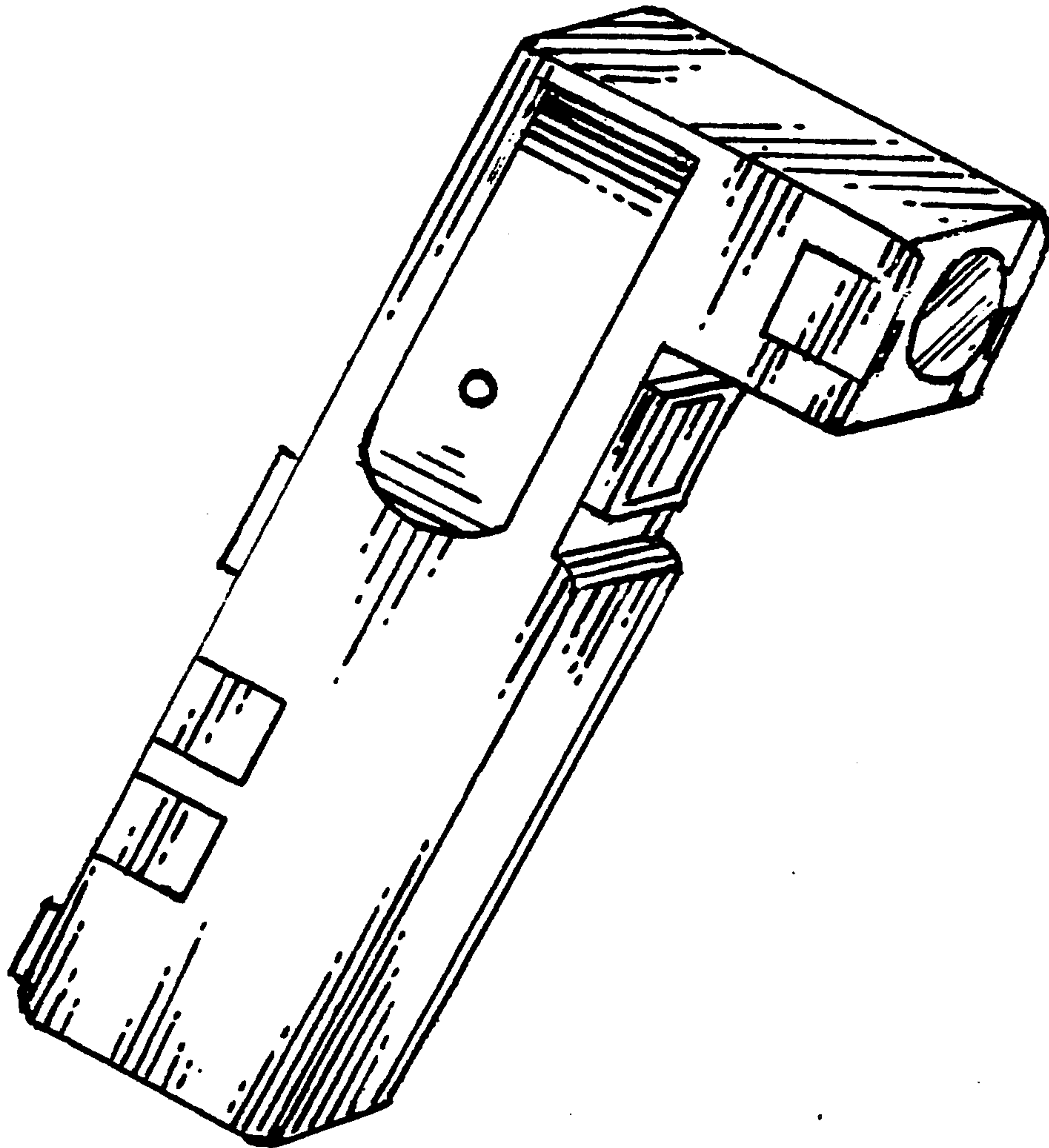


FIG. 1.

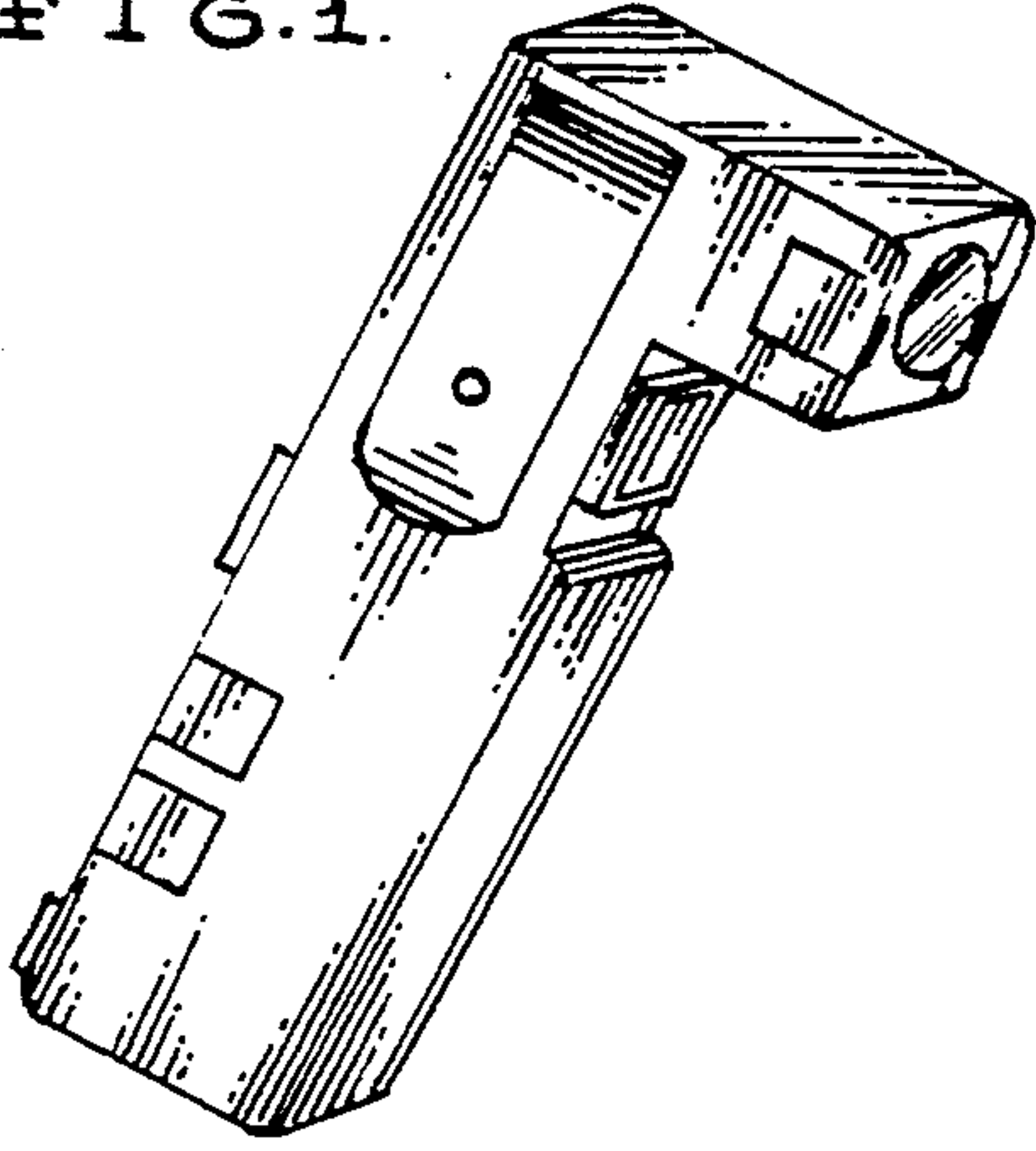


FIG. 2.

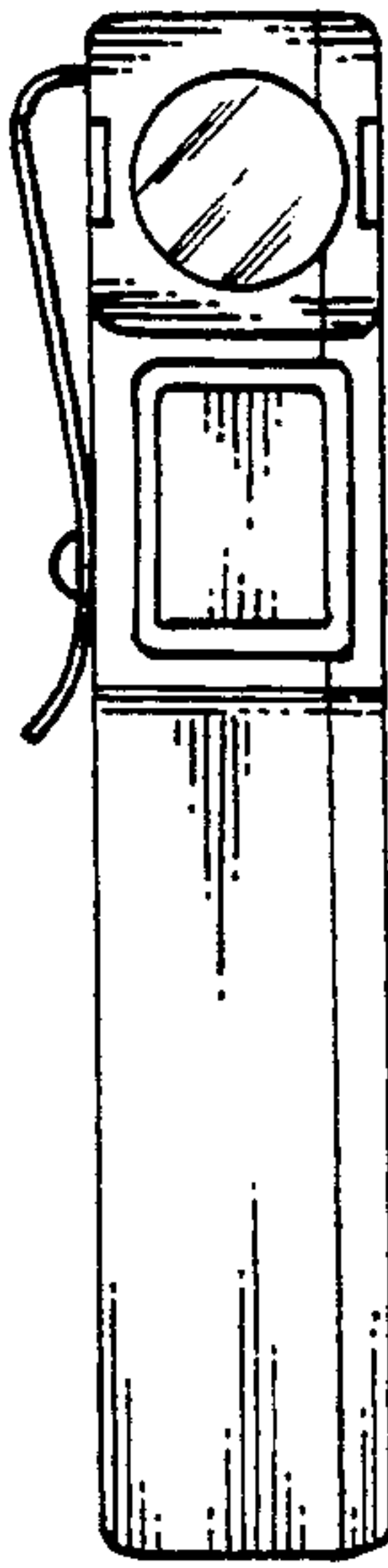


FIG. 3.

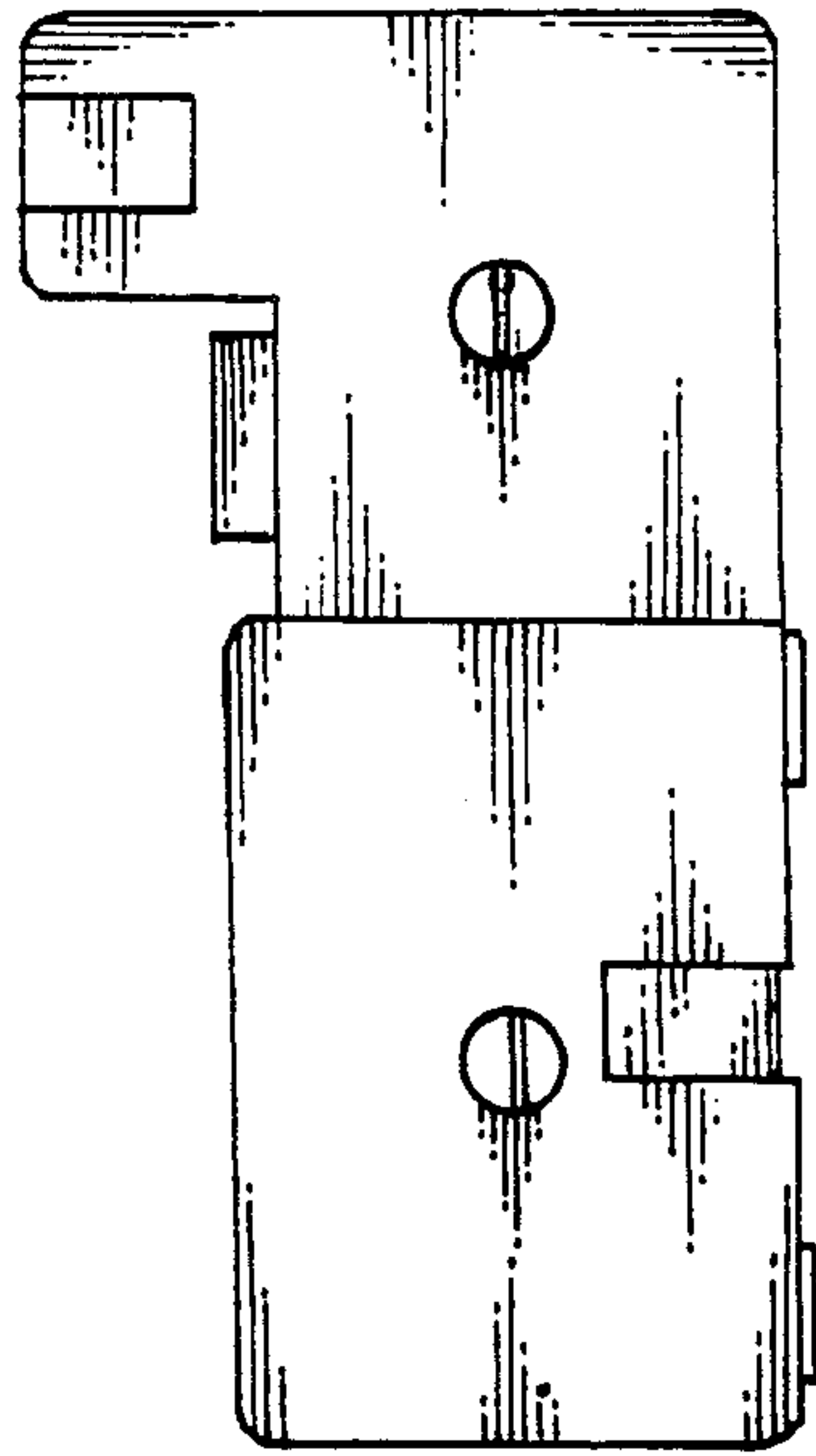
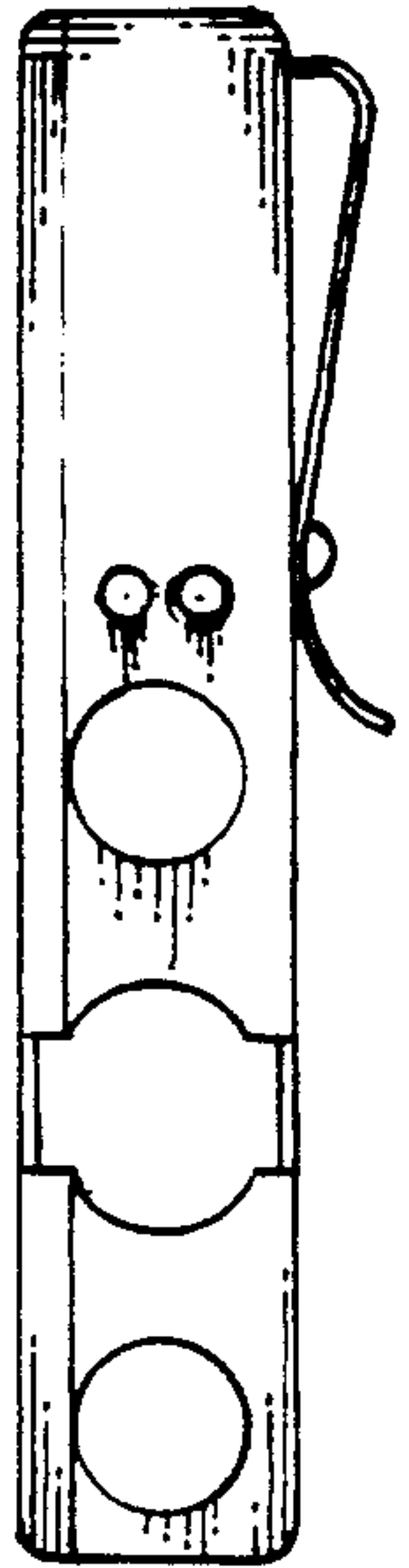


FIG. 4.

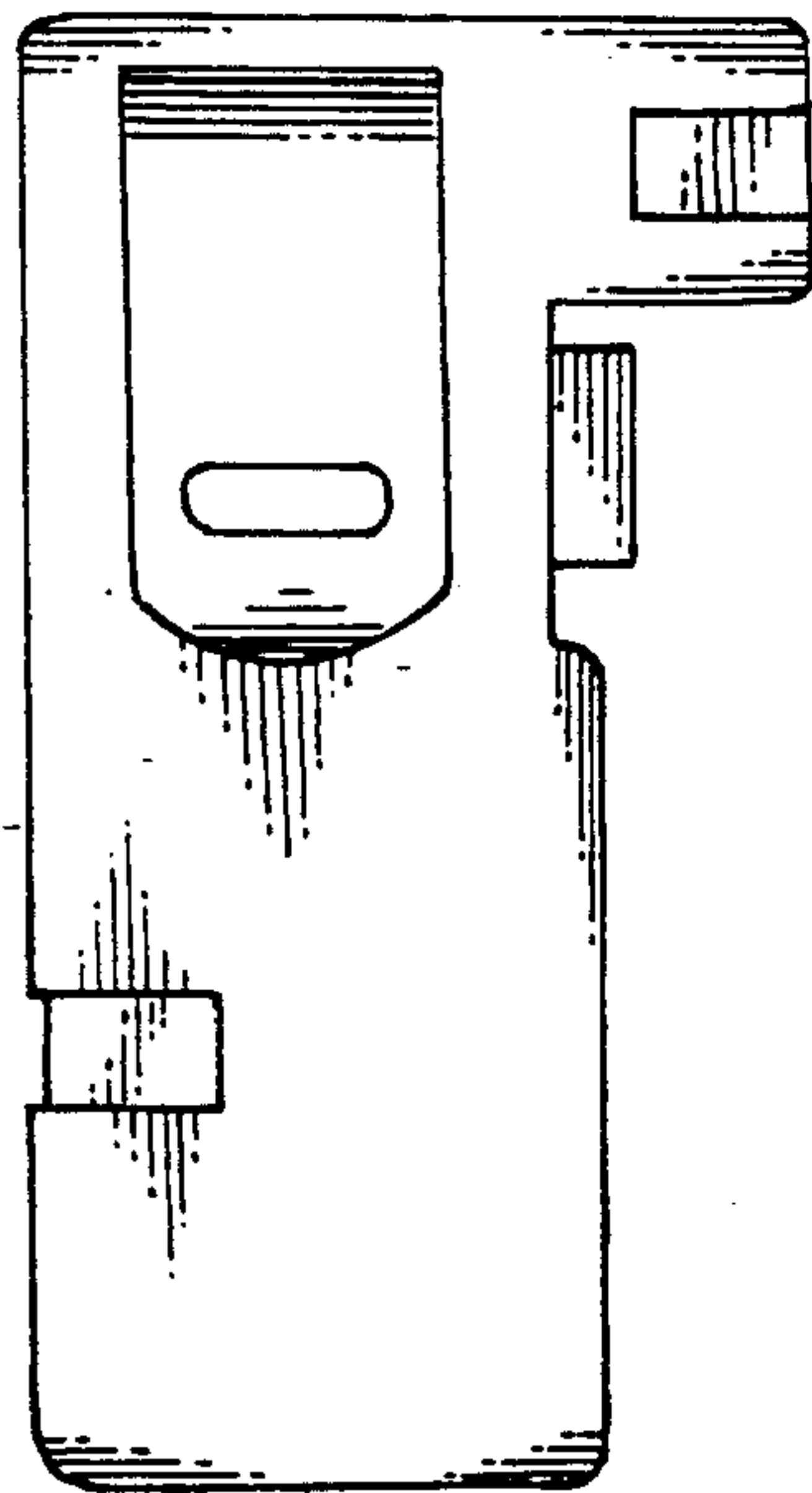


FIG. 5.

FIG. 6.



FIG. 7.

