



US00D325097S

United States Patent [19]

[11] Patent Number: **Des. 325,097**

Shrider

[45] Date of Patent: **** Mar. 31, 1992**

[54] **WRAP AROUND BRAKE LIGHT**

4,837,554 6/1989 Gianforcaro .

[76] Inventor: **Jeff Shrider**, 11530 Elgin Rd.,
Mendon, Ohio 45862

4,931,697 6/1990 Nakajima 362/61 X

[**] Term: **14 Years**

Primary Examiner—Susan J. Lucas

Attorney, Agent, or Firm—Terry M. Gernstein

[21] Appl. No.: **570,361**

[57] **CLAIM**

[22] Filed: **Aug. 21, 1990**

The ornamental design for a wrap around brake light, as shown and described.

[52] U.S. Cl. **D26/35**

[58] Field of Search **D26/28-36,**
D26/120, 122, 139; 362/60, 74, 80, 81, 82, 83

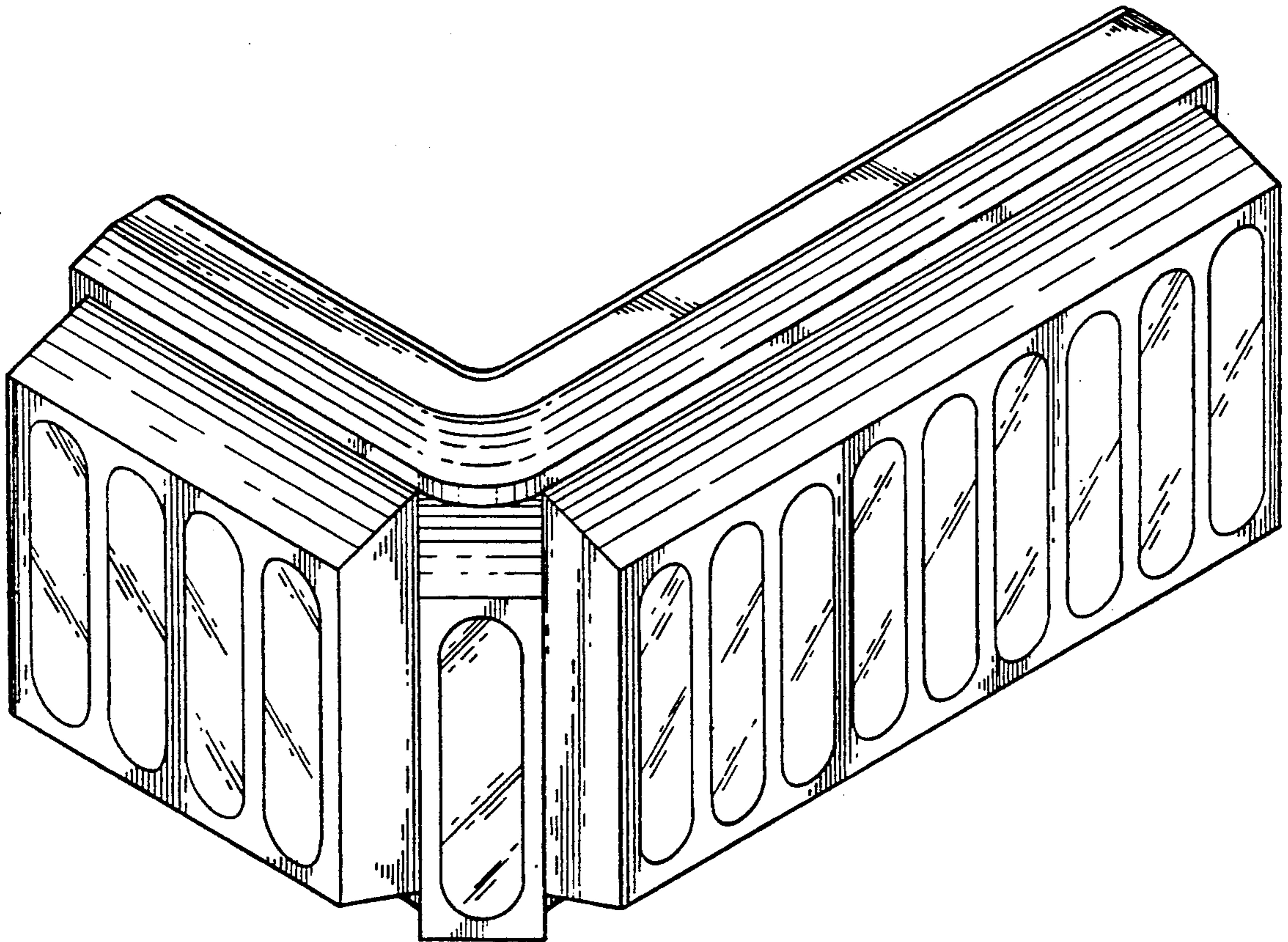
DESCRIPTION

[56] **References Cited**

U.S. PATENT DOCUMENTS

D. 46,085	7/1914	Chase	D26/35
D. 47,848	9/1915	Hansel	D26/35
D. 289,087	3/1987	Kobata	D26/35 X
2,733,311	1/1956	Brown	.	
2,831,176	4/1958	Liberto	.	

FIG. 1 is a top, front perspective view of a wrap around brake light showing my new design;
 FIG. 2 is a side elevational view thereof as seen from the left of FIG. 1;
 FIG. 3 is a front elevational view thereof; and,
 FIG. 4 is a top plan view thereof, the bottom being a mirror image.
 The rear and the side seen from the right of FIG. 1 are affixed to a vehicle and therefore hidden in use.



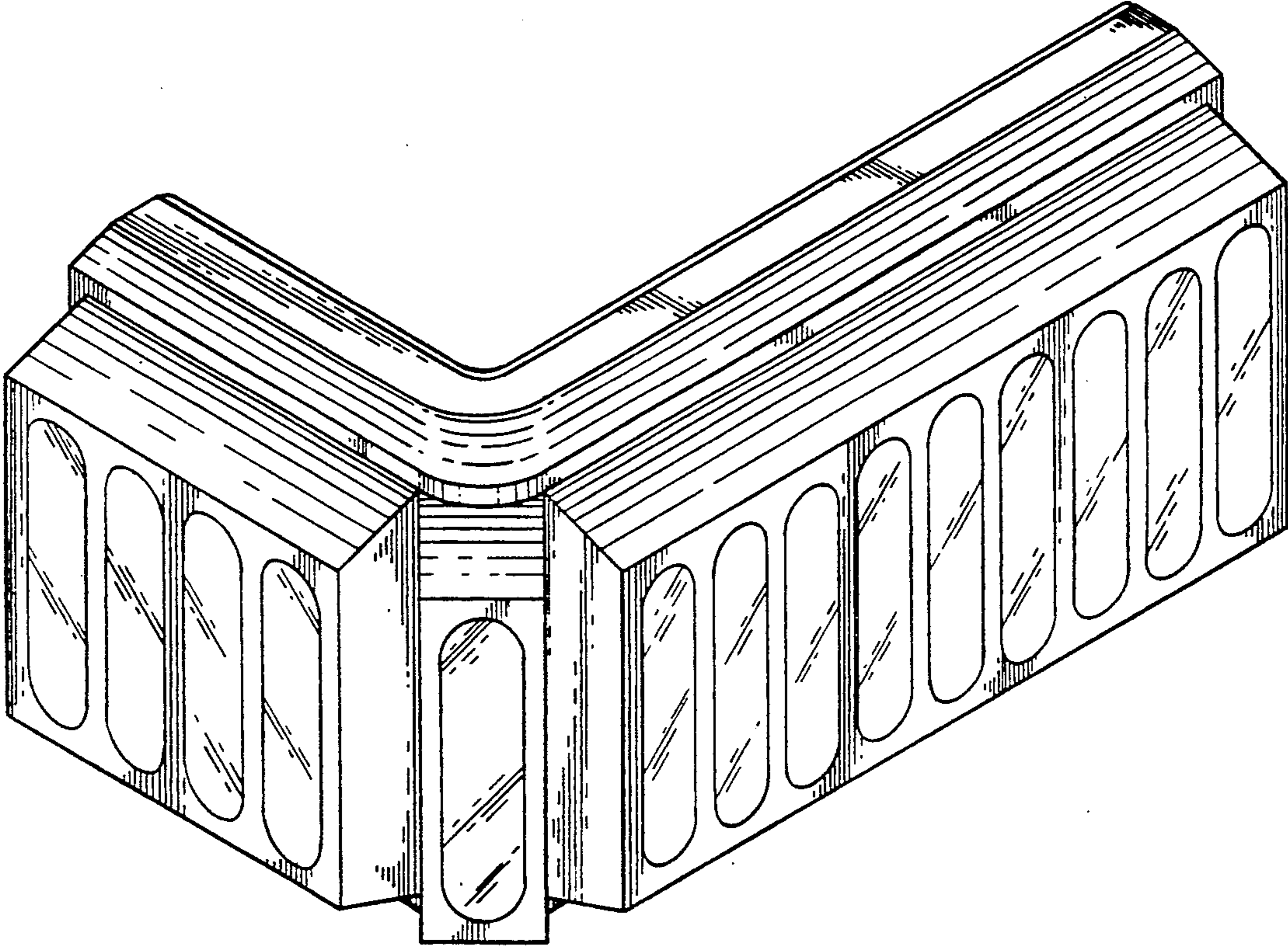


Fig. 1

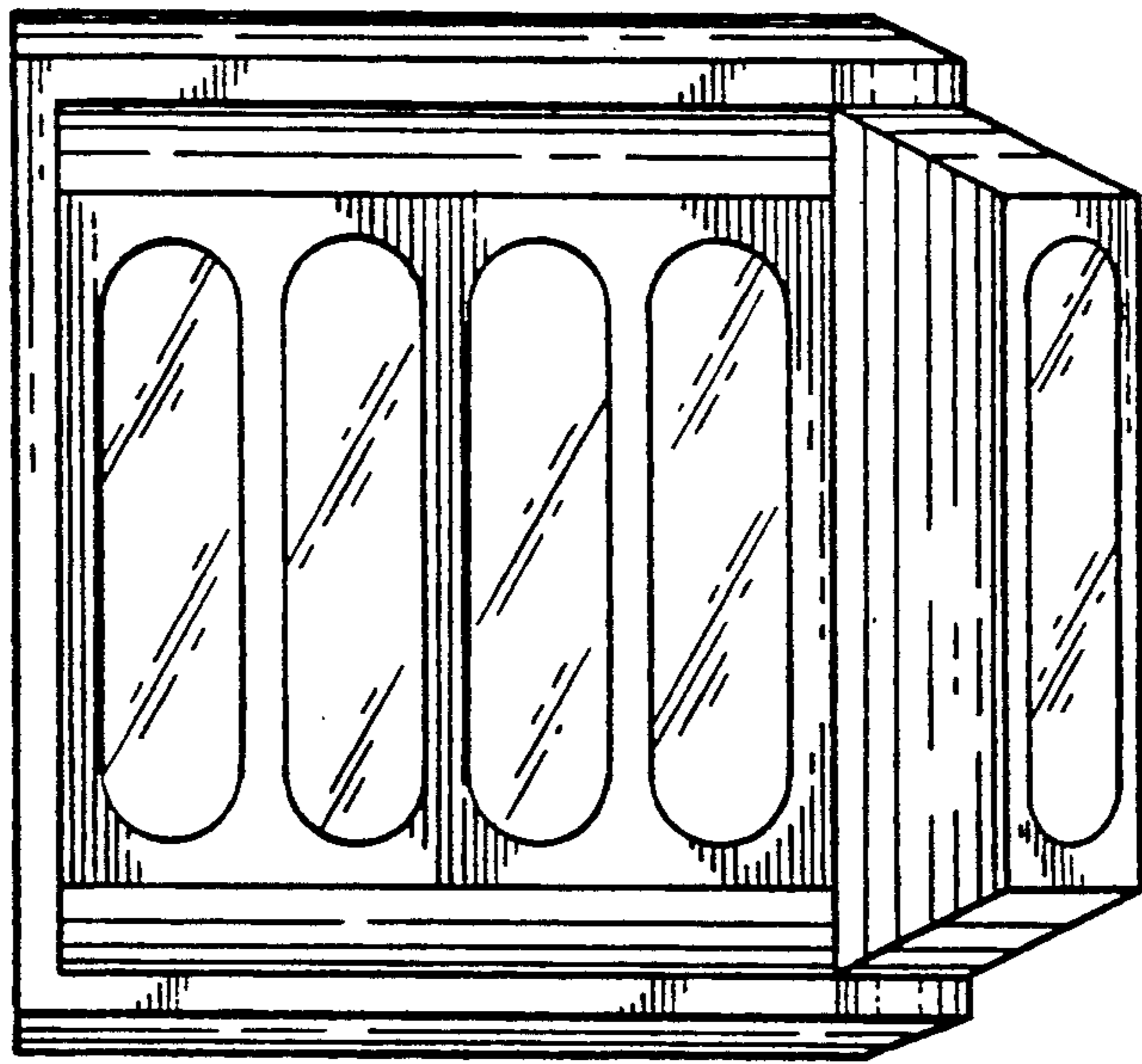


Fig. 2

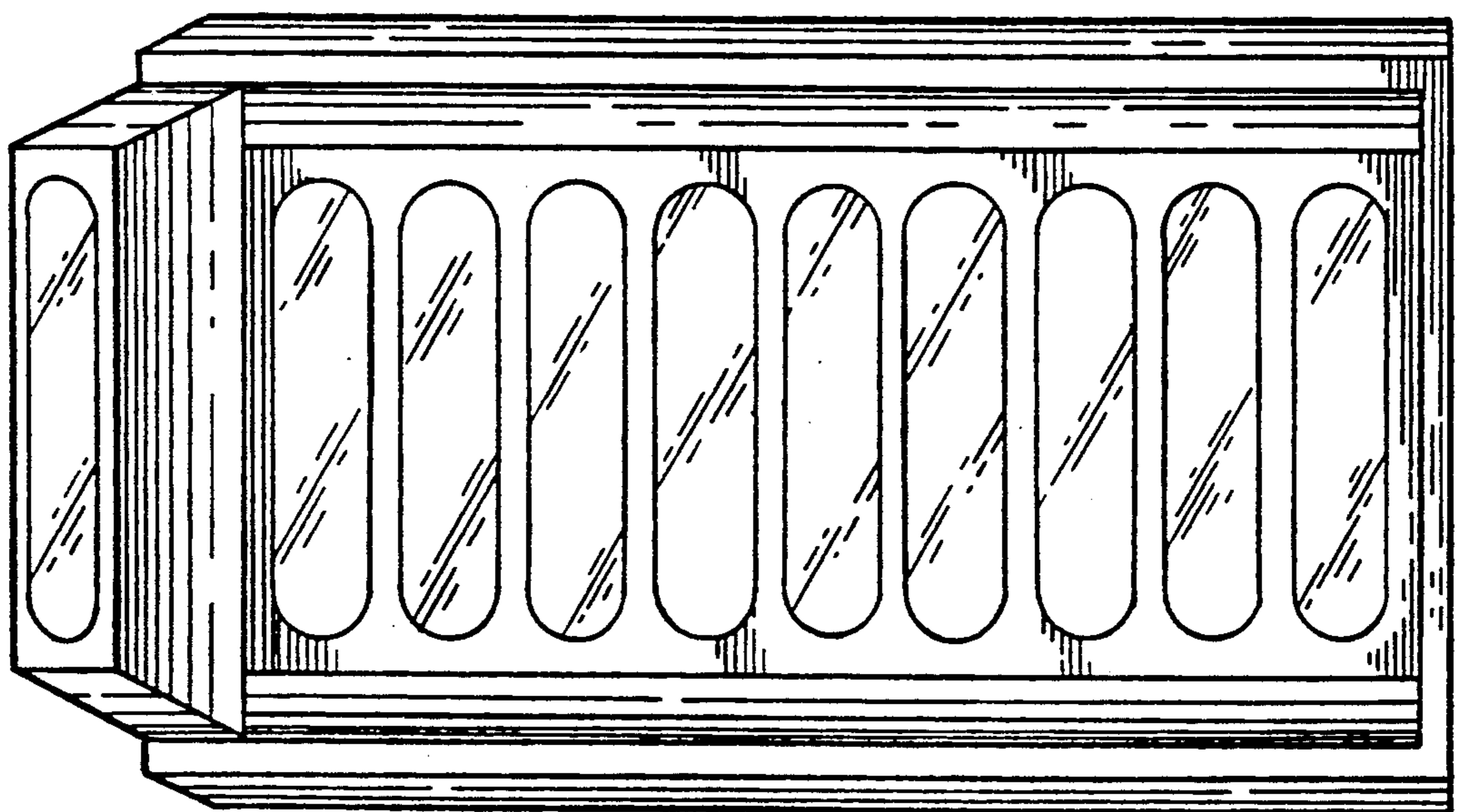


Fig. 3

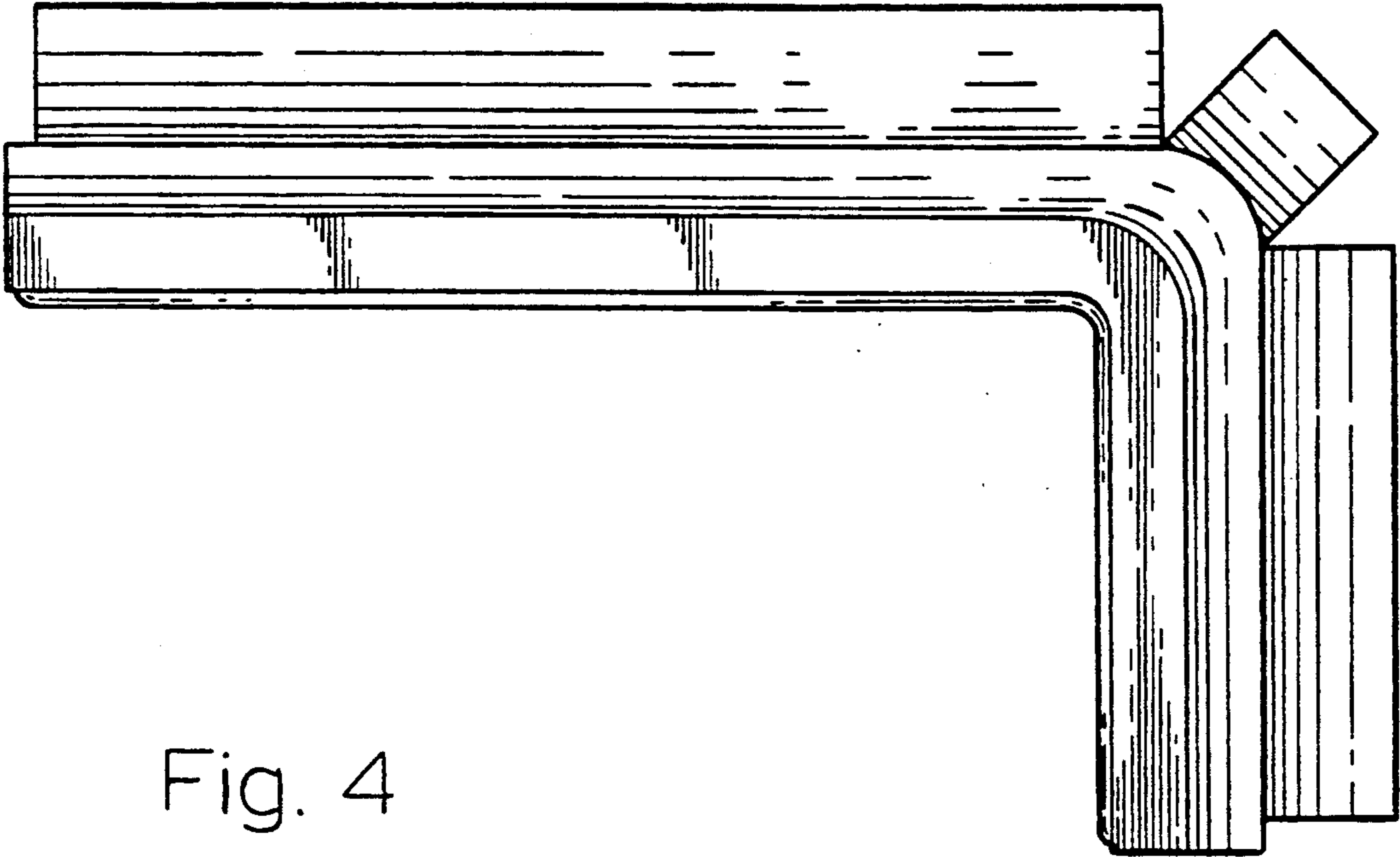


Fig. 4